



US00D962062S

(12) **United States Design Patent**  
**Rao**

(10) **Patent No.:** **US D962,062 S**

(45) **Date of Patent:** **\*\* Aug. 30, 2022**

(54) **SPRAY HEAD**

(71) Applicant: **Xiang Rao**, Guangshui (CN)

(72) Inventor: **Xiang Rao**, Guangshui (CN)

(\*\*) Term: **15 Years**

(21) Appl. No.: **29/760,546**

(22) Filed: **Dec. 2, 2020**

(51) **LOC (13) Cl.** ..... **09-01**

(52) **U.S. Cl.**  
USPC ..... **D9/448; D9/685**

(58) **Field of Classification Search**  
USPC ..... D9/435, 439, 440, 442-449, 450, 454,  
D9/531, 682-694, 723, 575; D7/321,  
D7/391, 392, 392.1, 396.2, 507, 509-511,  
D7/523, 608, 900; D6/515  
CPC .... B65D 83/205; B65D 83/206; B65D 83/40;  
B65D 2543/00046; A47G 19/2272  
See application file for complete search history.

(56) **References Cited**

**U.S. PATENT DOCUMENTS**

D409,487 S *	5/1999	Wadsworth	D9/448
D456,262 S *	4/2002	Cummings	D9/448
D463,972 S *	10/2002	Perrin	D9/685
D494,866 S *	8/2004	Guala	D9/448
D495,399 S *	8/2004	Guala	D9/448
D521,864 S *	5/2006	Cartoni	D9/448
D579,330 S *	10/2008	Sweeton	D9/448
D581,805 S *	12/2008	Suxdorf	D9/685
D582,768 S *	12/2008	Cantoni	D9/448
D582,769 S *	12/2008	Turchi	D9/448
D582,770 S *	12/2008	Turchi	D9/448
D582,771 S *	12/2008	Cantoni	D9/448
D583,233 S *	12/2008	Cantoni	D9/448
D588,455 S *	3/2009	Sweeton	D9/448
D596,938 S *	7/2009	Broadbent	D9/448
D601,897 S *	10/2009	Contiero	D9/448
D625,187 S *	10/2010	McCay	D9/448
D625,188 S *	10/2010	Rech	D9/448
D664,431 S *	7/2012	Wang	D9/448

D685,268 S *	7/2013	Gill	D9/448
D700,841 S *	3/2014	Natersky	D9/448
D715,648 S *	10/2014	Kistler	D9/448
D837,649 S *	1/2019	Alluigi	D9/448
D862,229 S *	10/2019	Alluigi	D9/448
D866,328 S *	11/2019	Tu	D9/448

(Continued)

**FOREIGN PATENT DOCUMENTS**

CN	305649141	*	3/2020
RU	00054329	*	4/2004

(Continued)

**OTHER PUBLICATIONS**

Abigail Weeks, Sep. 27, 2019, Amazon.com Product Review Post; Empty Amber Glass Spray Bottles, URL: [https://www.amazon.com/Empty-Amber-Glass-Bottles-Labels/dp/B01G98Y1BA/ref=sr\\_1\\_23?keywords=trigger+spray&qid=1638898434&sr=8-23#customer-reviews](https://www.amazon.com/Empty-Amber-Glass-Bottles-Labels/dp/B01G98Y1BA/ref=sr_1_23?keywords=trigger+spray&qid=1638898434&sr=8-23#customer-reviews) (Year: 2019).\*

*Primary Examiner* — Brett Miller  
*Assistant Examiner* — Rani J Abdallah

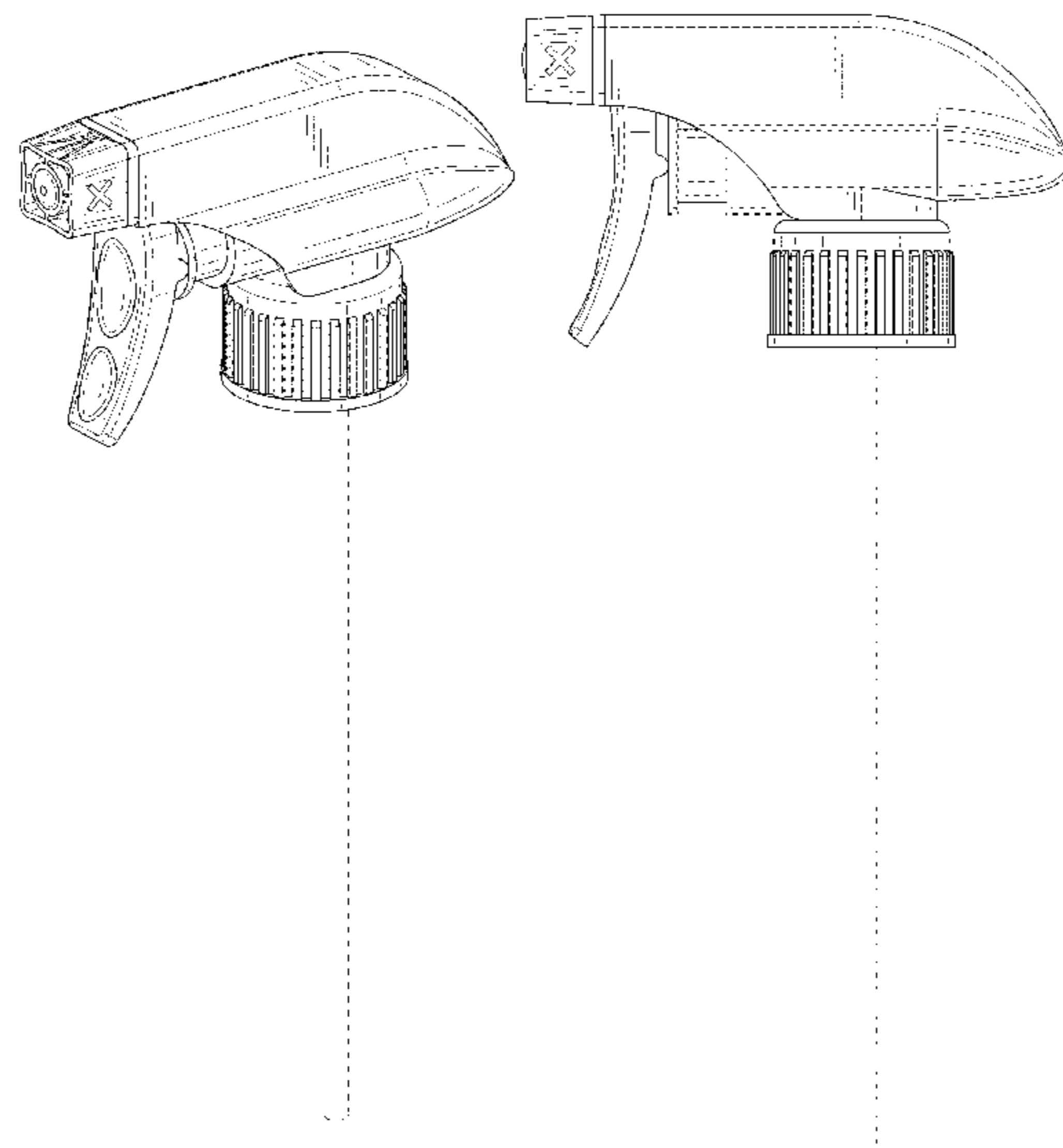
(57) **CLAIM**

The ornamental design for a spray head, as shown and described.

**DESCRIPTION**

FIG. 1 is a front, left side, top perspective view of a spray head showing my design;  
FIG. 2 is a front elevational view thereof;  
FIG. 3 is a rear elevational view thereof;  
FIG. 4 is a left side elevational view thereof;  
FIG. 5 is a right side elevational view thereof;  
FIG. 6 is a top plan view thereof; and,  
FIG. 7 is a bottom plan view thereof.  
The broken lines depict portions of the spray head that form no part of the claimed design.

**1 Claim, 7 Drawing Sheets**



(56)

**References Cited**

U.S. PATENT DOCUMENTS

D866,329 S \* 11/2019 Tu ..... D9/448  
D878,206 S \* 3/2020 Natersky ..... D9/448  
D941,672 S \* 1/2022 Lupberger ..... D9/448  
D946,401 S \* 3/2022 Pepe ..... D9/448  
D946,402 S \* 3/2022 Pepe ..... D9/448  
D946,403 S \* 3/2022 Pepe ..... D9/448  
D948,340 S \* 4/2022 Barenhoff ..... D9/448  
2017/0043364 A1 \* 2/2017 Alluigi ..... B05B 11/0064

FOREIGN PATENT DOCUMENTS

RU 00057887 \* 10/2005  
RU 00062986 \* 6/2007

\* cited by examiner

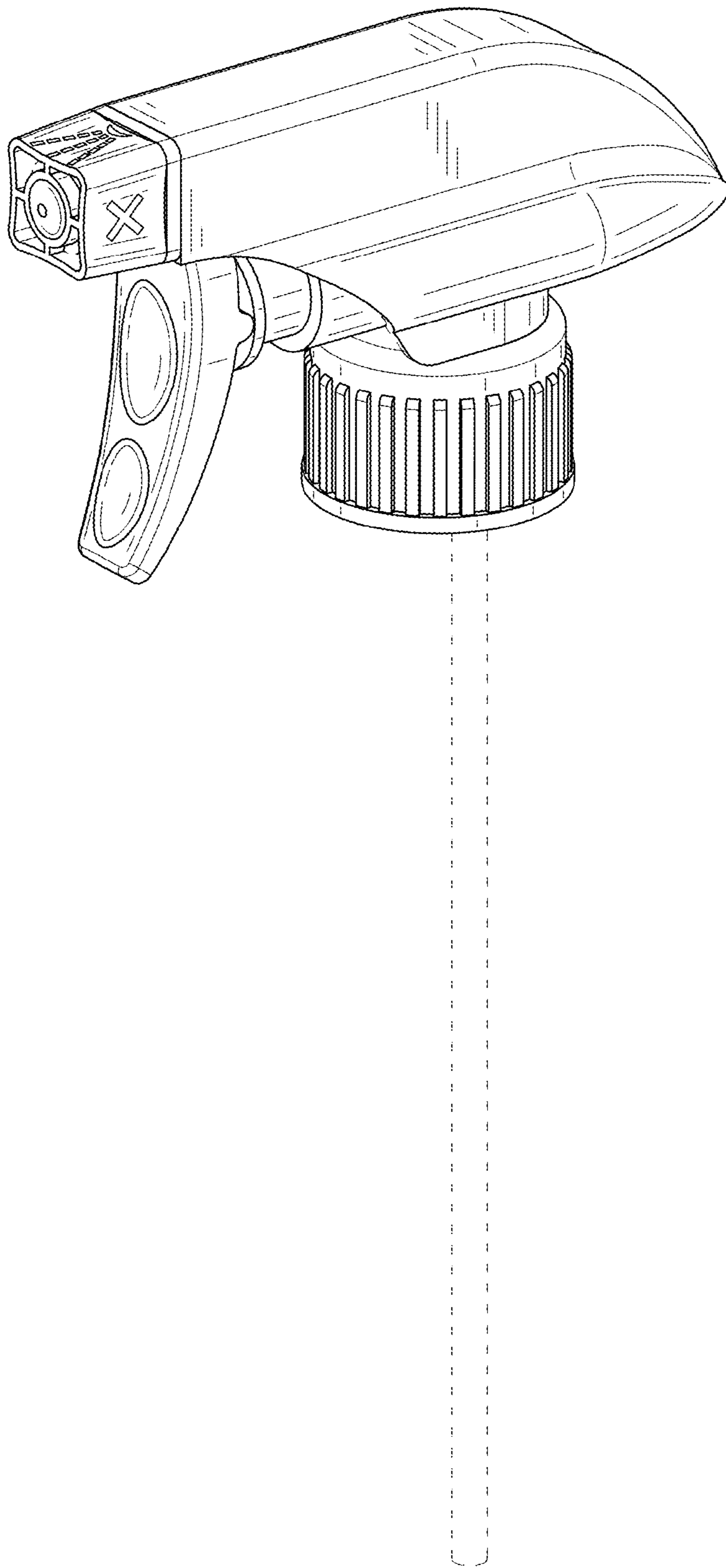


FIG.1

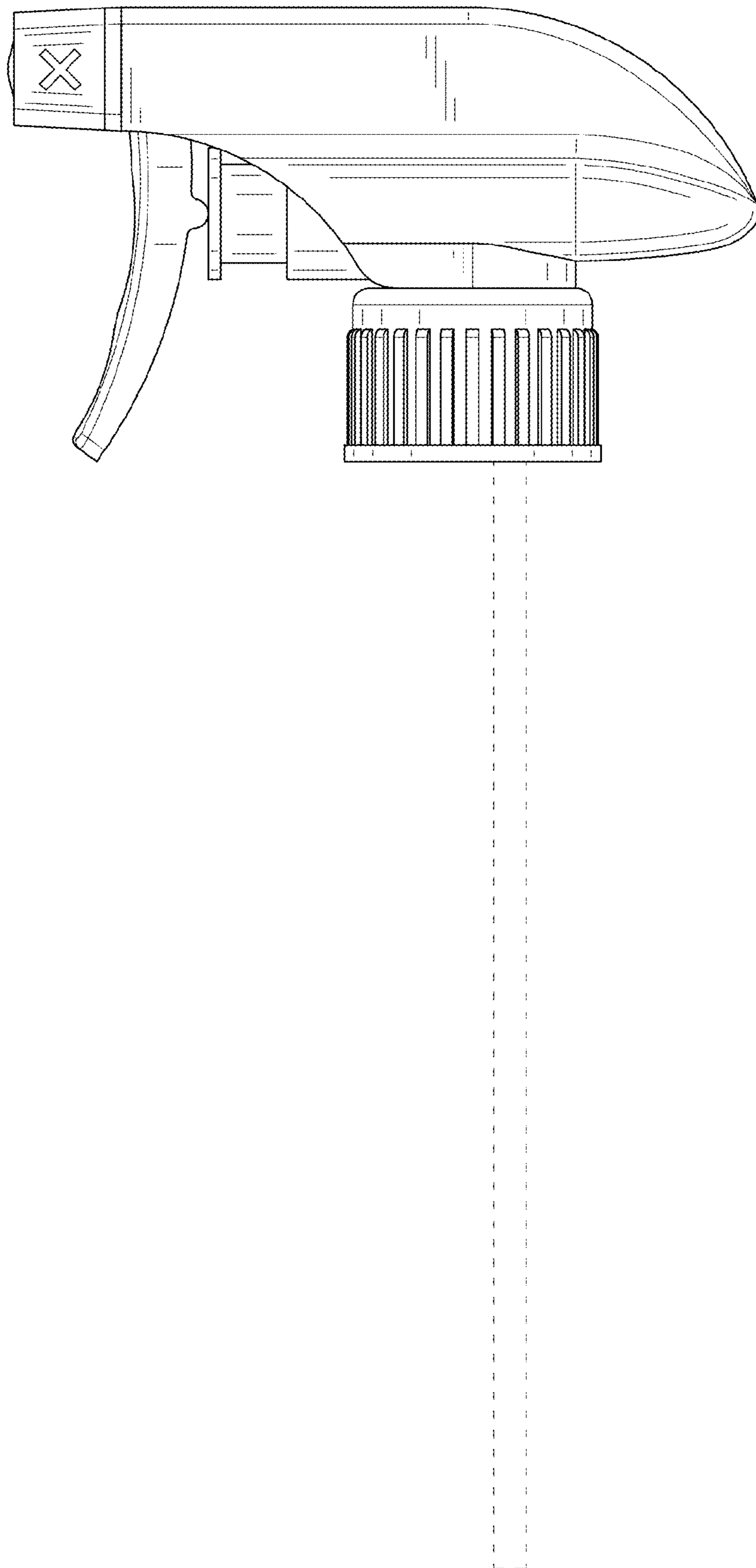


FIG.2

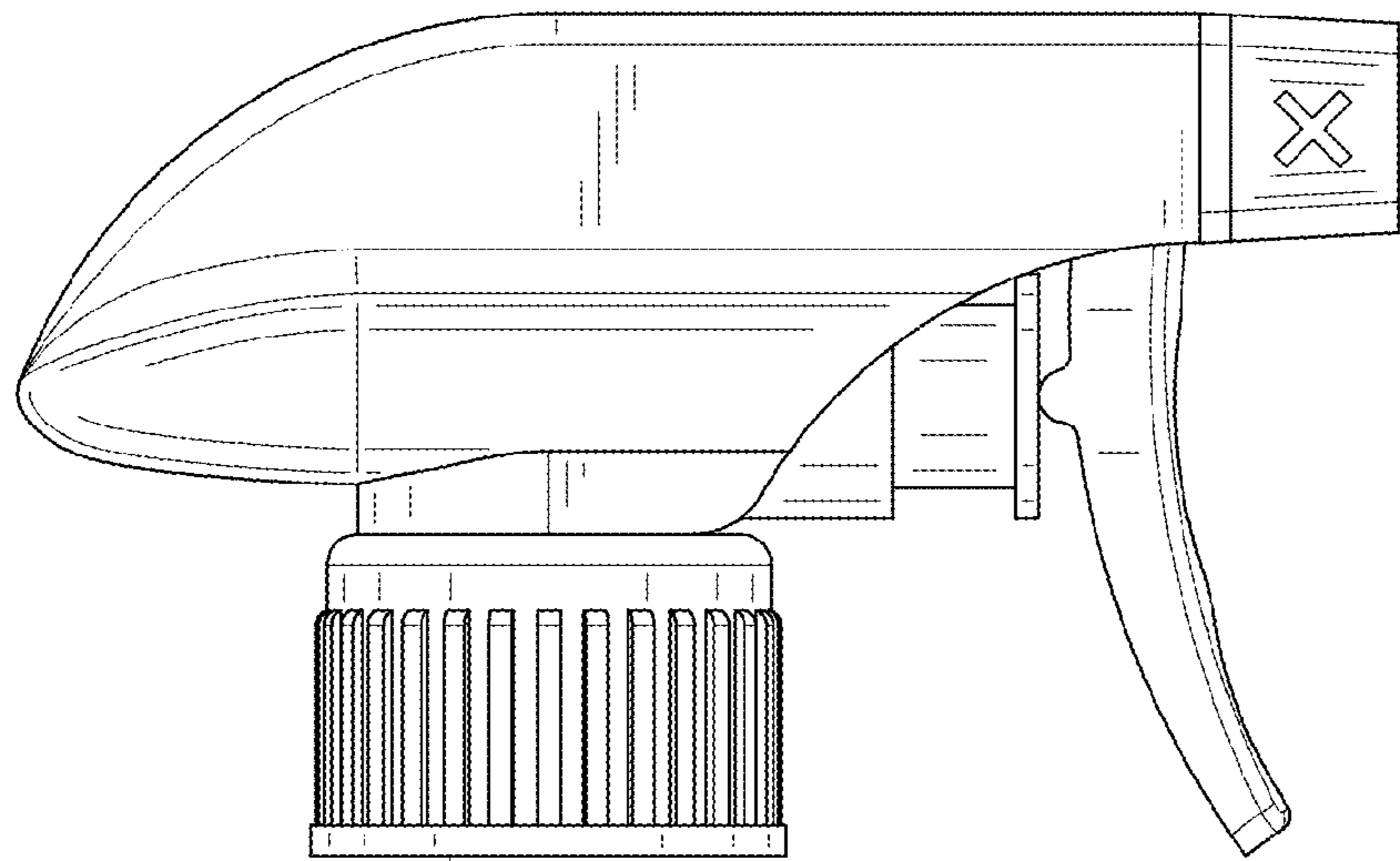


FIG.3

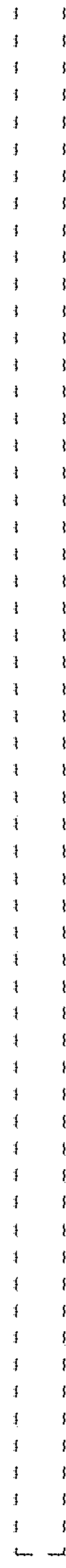
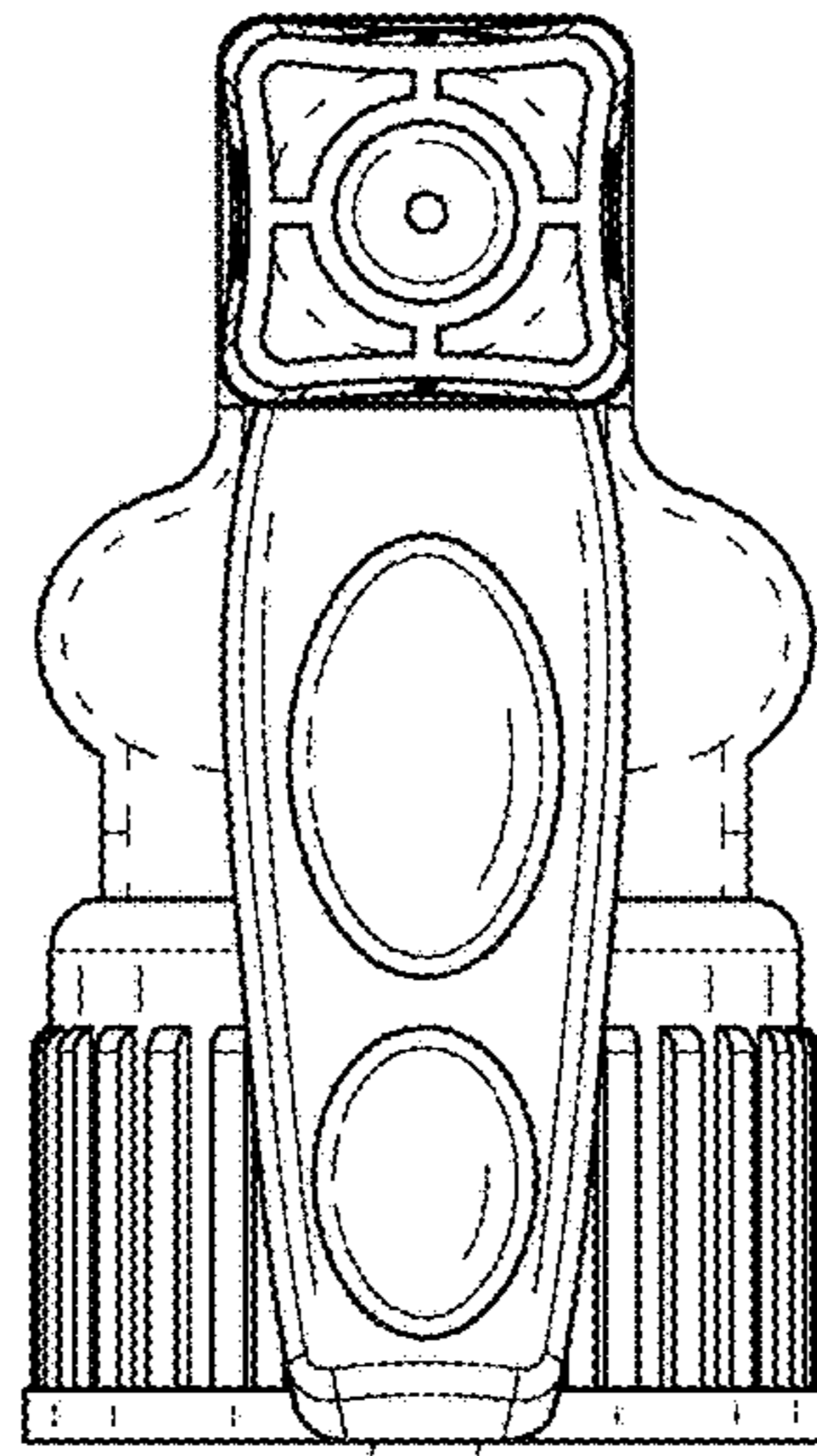


FIG. 4

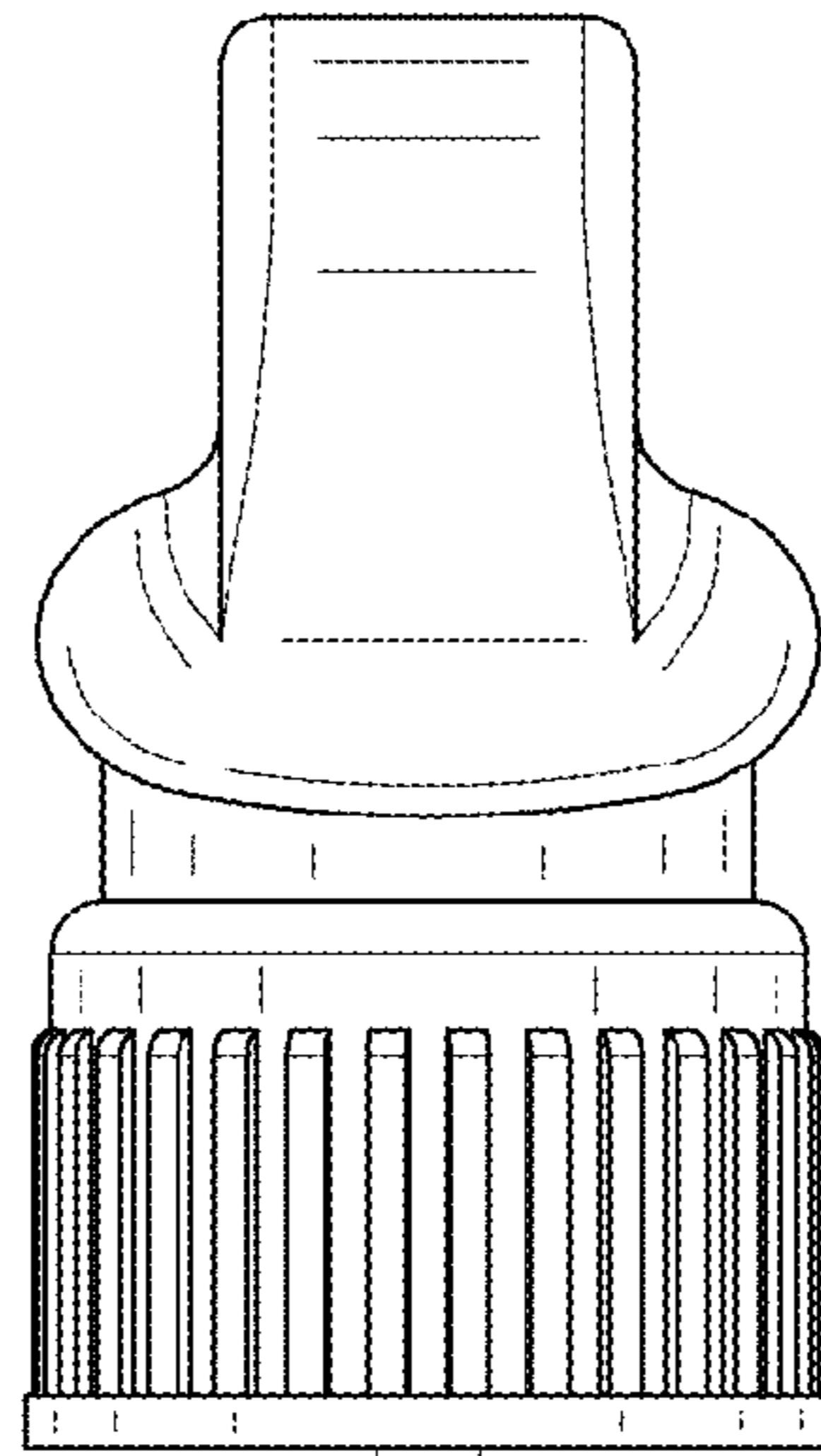


FIG.5



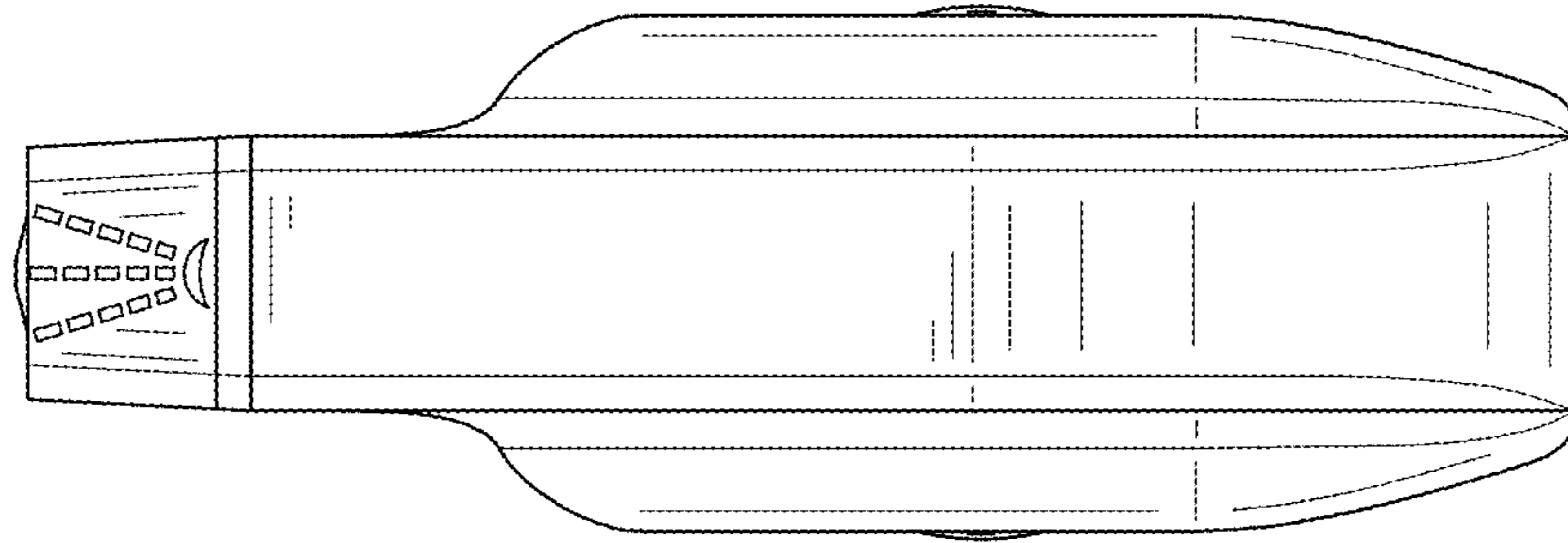


FIG.6



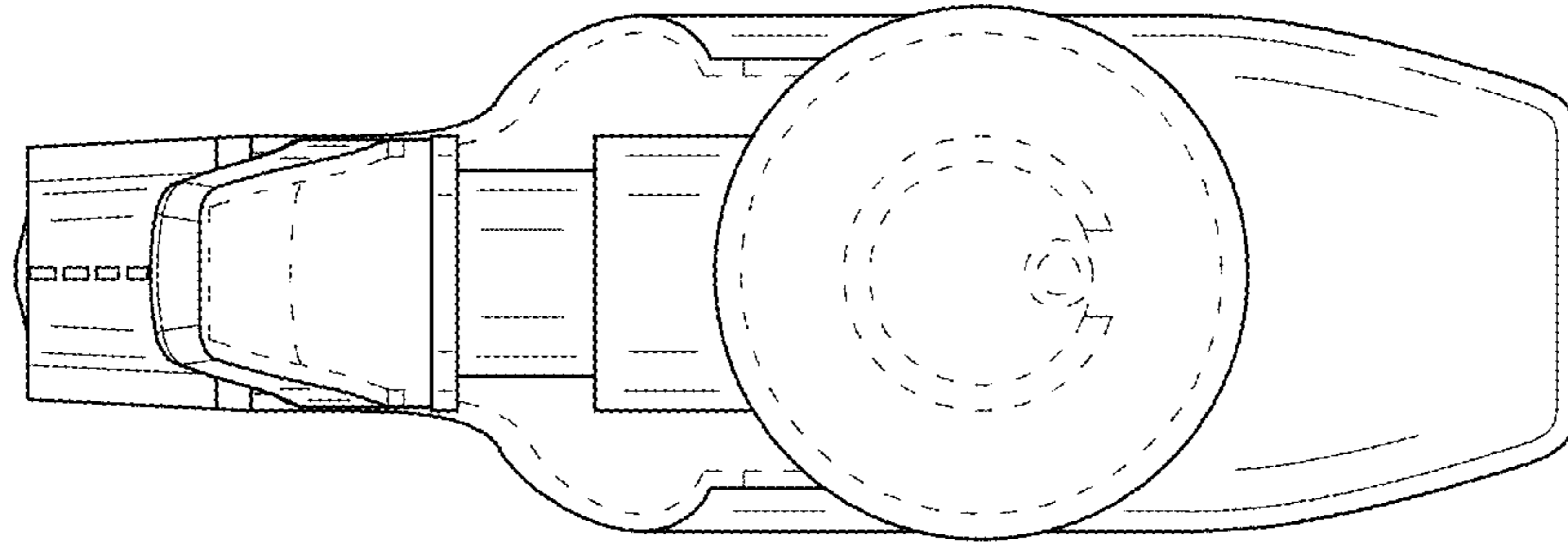


FIG. 7