



US00D962056S

(12) **United States Design Patent**  
**Le et al.**

(10) **Patent No.:** **US D962,056 S**  
(45) **Date of Patent:** **\*\* Aug. 30, 2022**

(54) **ELECTRONIC DEVICE HOUSING**

11/0217; B29L 2031/7162; B65D 1/225;  
B65D 5/00; B65D 5/0015; B65D 5/02;  
B65D 5/10;

(71) Applicant: **Google LLC**, Mountain View, CA (US)

(Continued)

(72) Inventors: **Minh-Nhat Le**, San Jose, CA (US);  
**James Dwight McLurkin**, Seattle, WA  
(US); **Kai Yick**, Daly City, CA (US);  
**William Rutledge**, San Francisco, CA  
(US)

(56)

**References Cited**

**U.S. PATENT DOCUMENTS**

D252,559 S \* 8/1979 Bliss ..... D9/433  
D267,847 S 2/1983 Pielert

(Continued)

(73) Assignee: **GOOGLE LLC**, Mountain View, CA  
(US)

**OTHER PUBLICATIONS**

(\*\*) Term: **15 Years**

Fingas, J. Google's latest do-it-yourself AI kits include everything  
you need, posted at Engadget, posting date Apr. 17, 2018. Site  
visited Apr. 18, 2022. URL: <<https://www.engadget.com/2018-04-16-google-aiy-kits-include-raspberry-pi.html>> (Year: 2018).\*

(Continued)

(21) Appl. No.: **29/738,380**

(22) Filed: **Jun. 17, 2020**

**Related U.S. Application Data**

(63) Continuation of application No. 29/644,114, filed on  
Apr. 13, 2018, now Pat. No. Des. 890,720.

*Primary Examiner* — Kathleen L Jones

(74) *Attorney, Agent, or Firm* — Plumsea Law Group,  
LLC

(51) **LOC (13) Cl.** ..... **09-03**

(52) **U.S. Cl.**  
USPC ..... **D9/433**; D14/204; D14/215; D13/184

(57)

**CLAIM**

(58) **Field of Classification Search**

USPC ..... D14/300-301, 356-358, 432-433, 435,  
D14/435.1, 436-439, 140.1, 155, 217,  
D14/230, 240-242, 299, 480.1, 302, 314,  
D14/359-370, 440-441, 167-170, 172,  
D14/193-194, 188, 204, 210, 213-215,  
D14/221, 224-226, 159, 496, 203.4;  
D13/184, 199, 123, 133, 135, 146-147,  
D13/154, 180, 182; D10/46, 104.1,  
D10/106.1, 70, 72, 75, 80, 103; D9/418,  
D9/420, 423-424, 432-433; D16/200,  
D16/202-203, 208, 211-212, 215, 218,  
D16/225-227, 229, 234  
CPC . H04R 1/00; H04R 1/02; H04R 1/021; H04R  
1/025; H04R 1/026; H04R 1/028; H04R  
2201/02; H04R 2201/025; H04R  
2201/028; H04R 2201/029; B60R

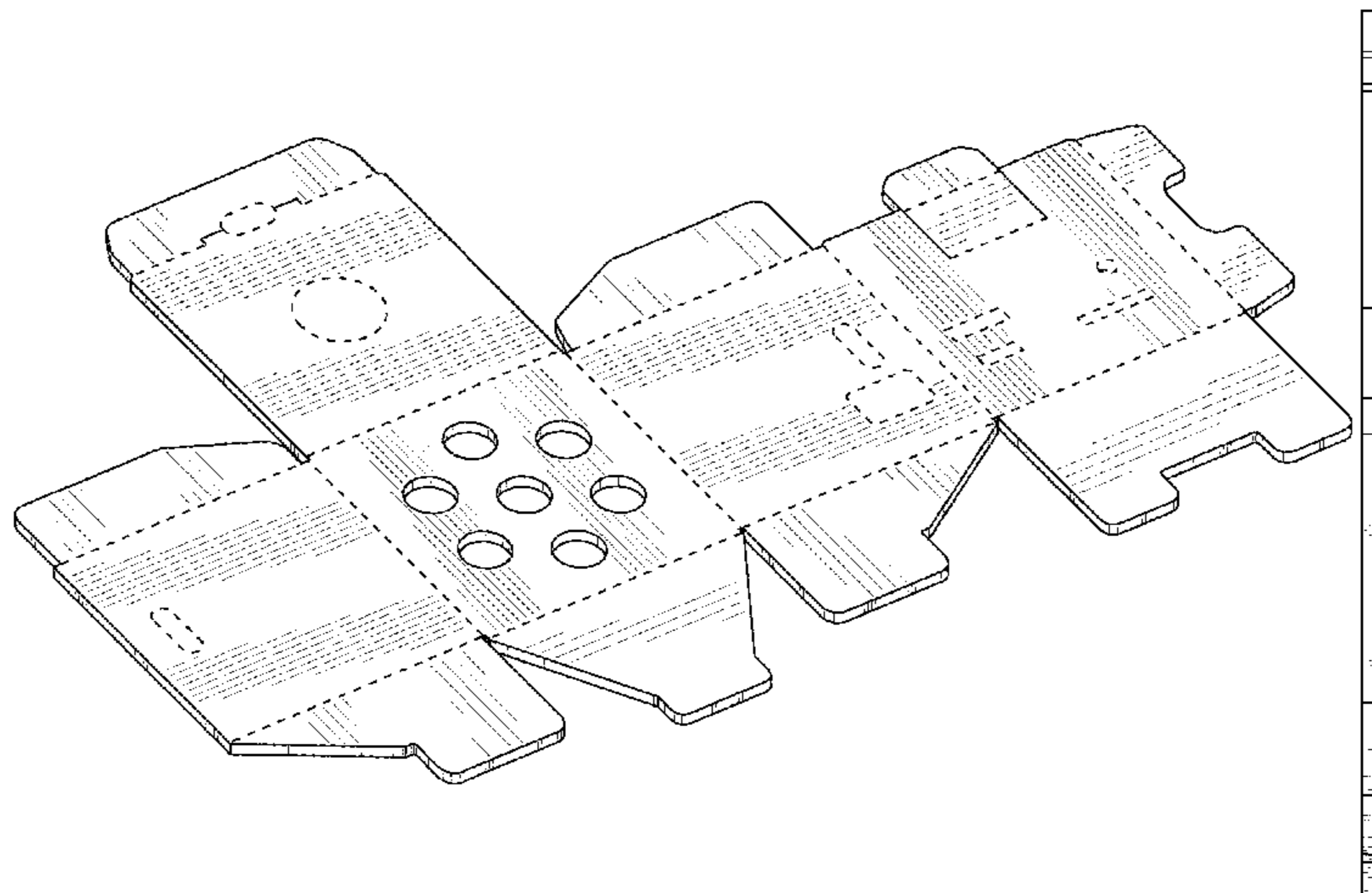
The ornamental design for an electronic device housing, as  
shown and described.

**DESCRIPTION**

FIG. 1 is a top, left, front perspective view of an electronic  
device housing, showing our new design;  
FIG. 2 is a top plan view thereof;  
FIG. 3 is a bottom plan view thereof;  
FIG. 4 is a left side elevation view thereof;  
FIG. 5 is a right side elevation view thereof;  
FIG. 6 is a front elevation view thereof; and,  
FIG. 7 is a rear elevation view thereof.

The material shown in FIGS. 1-7 is of uniform thickness.

(Continued)



The broken lines of even length shown in the drawings illustrate portions of the electronic device housing that form no part of the claimed design.

**1 Claim, 7 Drawing Sheets**

**(58) Field of Classification Search**

CPC ..... B65D 5/103; B65D 5/106; B65D 5/16;  
G03B 15/03; G03B 17/02; G03B 17/04;  
G03B 17/56; G03B 19/04; H04N 5/2251;  
H04N 5/2252; H04N 5/2253; H04N  
5/2254; H04N 7/141; H04N 7/142; H04N  
7/147; H04N 7/148; H04N 7/15; H04N  
7/152

See application file for complete search history.

**(56) References Cited**

**U.S. PATENT DOCUMENTS**

D285,178	S	*	8/1986	Ewry	.....	D9/432
D291,534	S	*	8/1987	Hamilton	.....	D9/761
4,751,536	A	*	6/1988	Ohmura	.....	G03B 19/04 396/6
D347,055	S	*	5/1994	Jarvis	.....	D23/366
D349,913	S	*	8/1994	Morris	.....	D9/423
D352,453	S		11/1994	Bacchetti et al.		
D356,253	S	*	3/1995	Bacchetti	.....	D9/418
D379,586	S		6/1997	Hale		
D381,902	S	*	8/1997	Chapman	.....	D16/208
D434,981	S	*	12/2000	Shapiro	.....	D16/208
D446,717	S		8/2001	Lancaster et al.		
D448,748	S		10/2001	Wong		
D458,911	S		6/2002	Kataoka		
6,719,092	B1		4/2004	Barbetta		
D508,491	S	*	8/2005	Choi	.....	D14/356
D511,092	S		11/2005	Shea		
D515,553	S		2/2006	Tragaschnig		
D542,265	S		5/2007	Hussaini et al.		
D561,168	S		2/2008	Song		
D573,585	S		7/2008	Belanger et al.		
D578,884	S		10/2008	Rozanski		
D579,001	S	*	10/2008	Gabrielsson	.....	D14/214
D646,562	S		10/2011	Liebowitz et al.		
D725,075	S		3/2015	Wong		
D729,759	S	*	5/2015	Filo	.....	D14/155
D747,697	S		1/2016	Wildner et al.		
D750,046	S		2/2016	Wong		
D754,102	S		4/2016	Sun		
D758,345	S		6/2016	Fujioka		
D761,230	S		7/2016	Si		
D772,223	S		11/2016	Kacin et al.		

D807,879	S		1/2018	Kacin et al.		
D808,388	S		1/2018	Kacin et al.		
D810,077	S		2/2018	Kacin et al.		
D812,053	S		3/2018	Kacin et al.		
D813,191	S		3/2018	Pignotti		
D816,062	S		4/2018	Park et al.		
D817,926	S		5/2018	Warden		
D836,087	S		12/2018	DePasquale		
D836,088	S		12/2018	Ivey et al.		
D855,028	S		7/2019	Green et al.		
D856,976	S		8/2019	Kang et al.		
D873,241	S	*	1/2020	Wilker	.....	D14/214
D876,946	S	*	3/2020	Elman	.....	D9/414
D877,121	S		3/2020	Gurkin et al.		
D884,050	S	*	5/2020	Le	.....	D14/314
D890,720	S	*	7/2020	Le	.....	D14/215
D912,508	S	*	3/2021	Kirchen	.....	D9/433
D918,715	S	*	5/2021	Natsume	.....	D9/432
D920,099	S	*	5/2021	Stabile	.....	D9/433
D934,348	S	*	10/2021	Han	.....	D21/392
2010/0189294	A1	*	7/2010	Basore	.....	H04R 1/02 381/332
2011/0000740	A1		1/2011	Carter		
2015/0125018	A1		5/2015	Clark		
2015/0237424	A1		8/2015	Wilker et al.		
2015/0296282	A1		10/2015	Fujioka		
2016/0142605	A1		5/2016	Shimizu et al.		
2018/0072452	A1	*	3/2018	Chambers	.....	B65D 5/541
2018/0076649	A1		3/2018	Burns		
2018/0124485	A1	*	5/2018	Ivey	.....	H04R 1/025
2018/0124486	A1		5/2018	Ivey		

**OTHER PUBLICATIONS**

Google AIY Voice Kit, posted at Semageek, review posted Mar. 29, 2018. Site visited Apr. 18, 2022. URL: <<https://boutique.semageek.com/en/1211-google-aiy-voice-kit-3009053084088.html>> (Year: 2018).\*

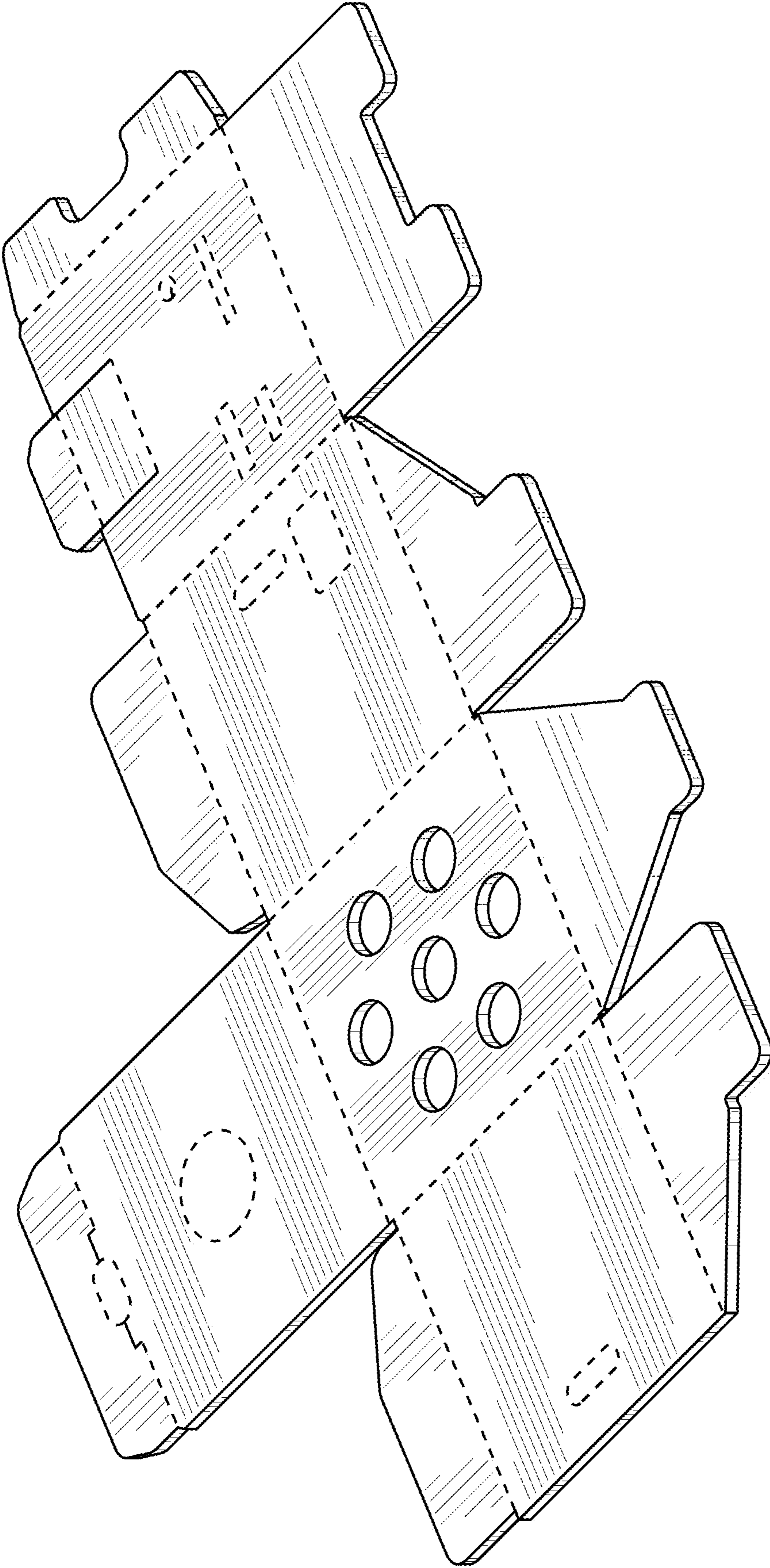
Nystedt, Brendan, This Cardboard Google Home Only Costs \$35, posted at Wired, posting date Sep. 15, 2017. Site visited Feb. 11, 2020. URL: <<https://www.wired.com/story/cardboard-google-home/>> (Year: 2017).

Fold-Up Speakers, posted at MoreInspiration, posting date Sep. 14, 2006. Site visited Feb. 11, 2020. URL: <<http://www.moreinspiration.com/article/448/fold-up-speakers?f=have%20more%20compact%20folding>> (Year: 2006).

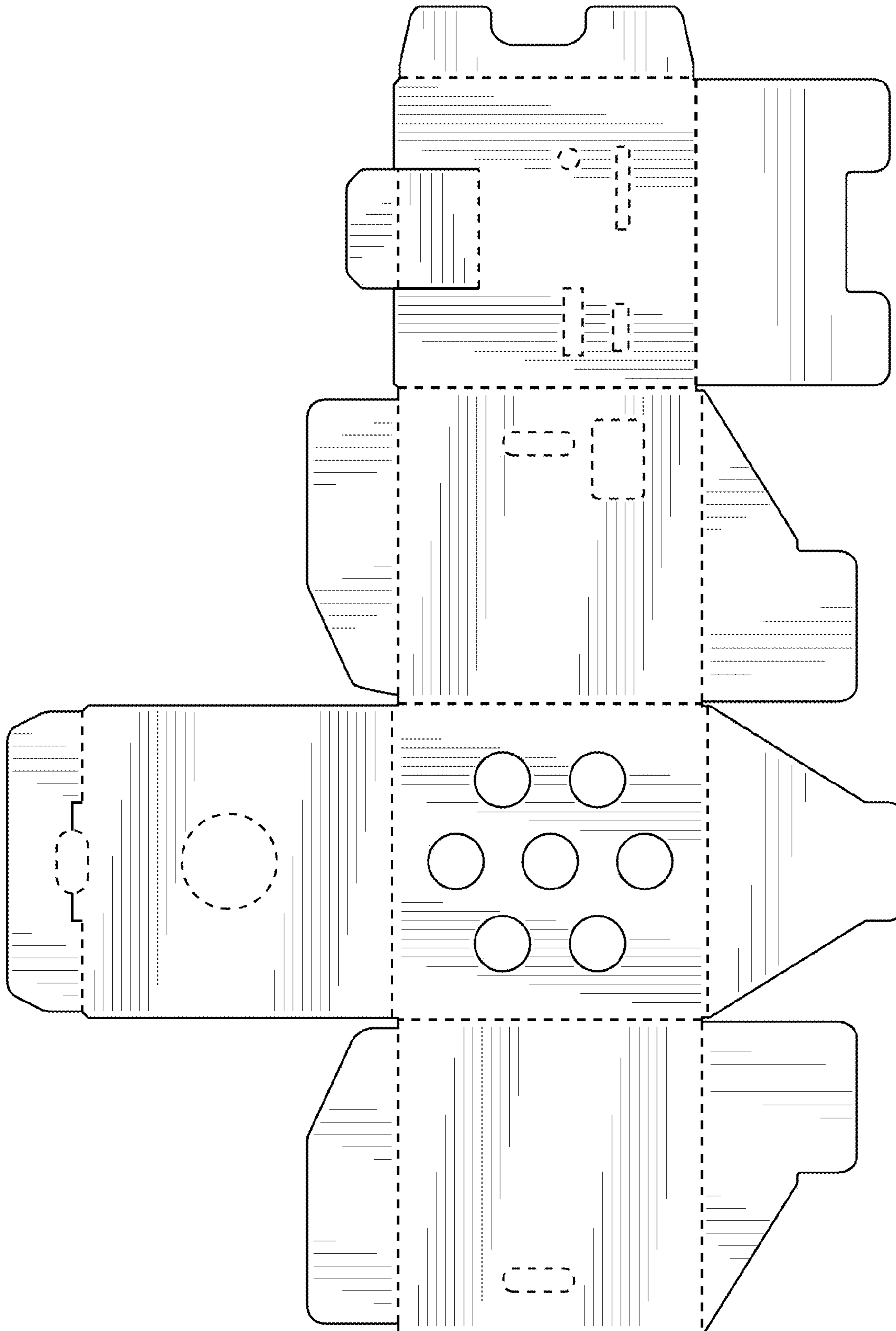
John Lewis Spectrum Cube Bluetooth Speaker, posted at Good Housekeeping, posting date Apr. 16, 2015. Site visited Feb. 11, 2020. URL: <<https://www.goodhousekeeping.com/u-k/product-reviews/tech/a664534/john-lewis-spectrum-cube-bluetooth-speaker/>> (Year: 2015).

The Loud Speaker Kit S250 Subwoofer, posted at Dan's Data, posting date Feb. 22, 2013. Site visited Feb. 11, 2020. URL: <<http://www.dansdata.com/s250.htm>> (Year: 2013).

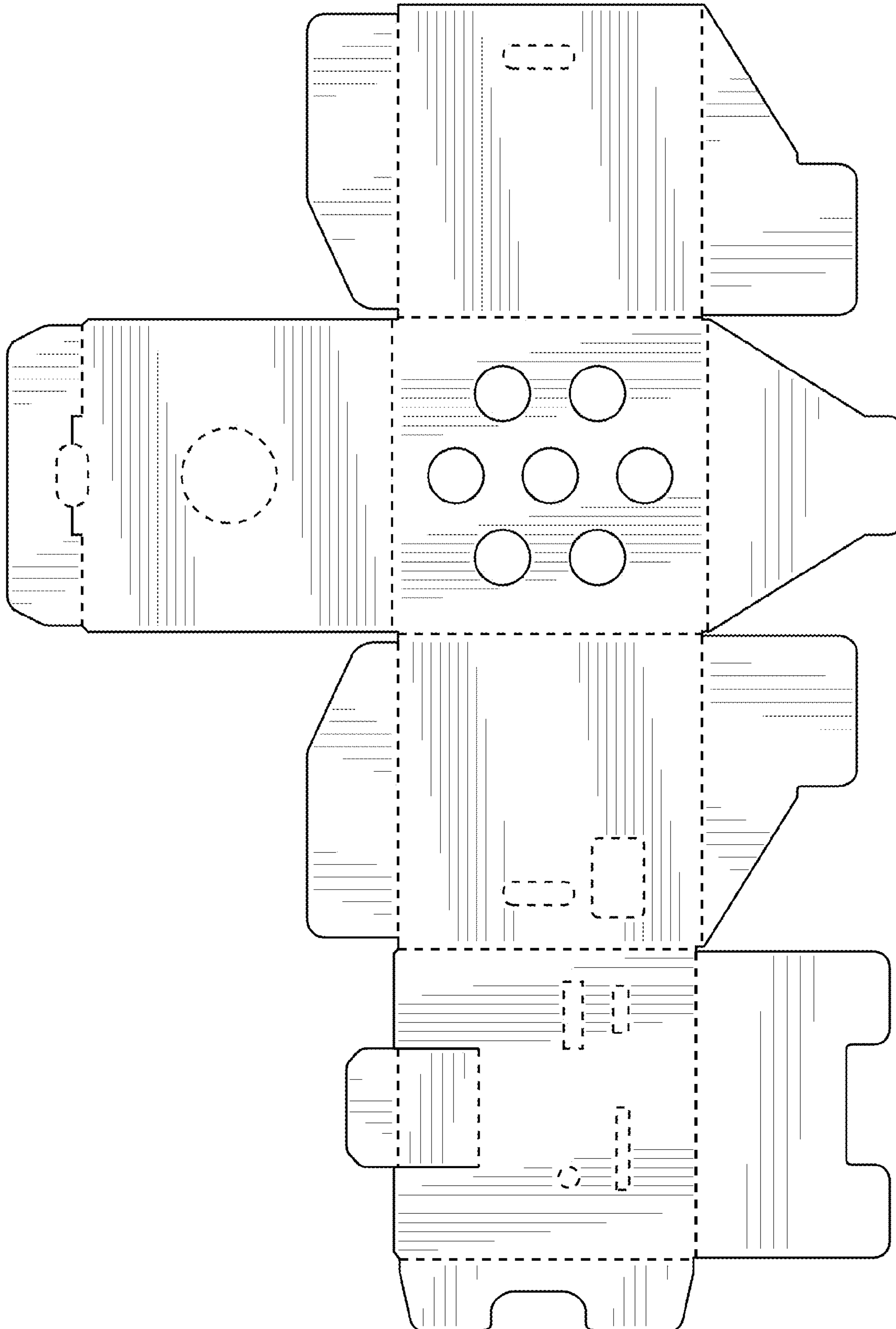
\* cited by examiner



**FIG. 1**



**FIG. 2**



**FIG. 3**



**FIG. 4**



**FIG. 5**



**FIG. 6**





**FIG. 7**