



US00D962055S

(12) **United States Design Patent** (10) **Patent No.:** **US D962,055 S**
Le et al. (45) **Date of Patent:** **** Aug. 30, 2022**

(54) **ELECTRONIC DEVICE HOUSING**

B65D 5/00; B65D 5/0015; B65D 5/02;
B65D 5/10; B65D 5/103; B65D 5/106;
B65D 5/16;

(71) Applicant: **Google LLC**, Mountain View, CA (US)

(Continued)

(72) Inventors: **Minh-Nhat Le**, San Jose, CA (US);
Qian Yan, Union City, CA (US); **Kai Yick**, Daly City, CA (US); **William Rutledge**, San Francisco, CA (US)

(56) **References Cited**

U.S. PATENT DOCUMENTS

(73) Assignee: **GOOGLE LLC**, Mountain View, CA (US)

D88,116 S 10/1932 Teague
3,271,095 A 9/1966 Jensen et al.
(Continued)

(**) Term: **15 Years**

OTHER PUBLICATIONS

(21) Appl. No.: **29/729,991**

(22) Filed: **Mar. 31, 2020**

Fingas, J. Google's latest do-it-yourself AI kits include everything you need, posted at Engadget, posting date Apr. 17, 2018. Site visited Apr. 18, 2022. URL: <<https://www.engadget.com/2018-04-16-google-aiy-kits-include-raspberry-pi.html>> (Year: 2018).*

(Continued)

Related U.S. Application Data

(63) Continuation of application No. 29/644,116, filed on Apr. 13, 2018, now Pat. No. Des. 884,050.

Primary Examiner — Kathleen L Jones

(51) **LOC (13) Cl.** **09-03**

(74) *Attorney, Agent, or Firm* — Plumsea Law Group, LLC

(52) **U.S. Cl.**

USPC **D9/433**; D14/439; D13/184; D16/208

(58) **Field of Classification Search**

(57) **CLAIM**

USPC D14/300–301, 356–358, 432–433, 435, D14/435.1, 436–439, 140.1, 155, 217, D14/230, 240–242, 299, 480.1, 302, 314, D14/359–370, 440–441, 167–170, 172, D14/193–194, 188, 204, 210, 213–215, D14/221, 224–226, 159, 496, 203.4; D13/184, 199, 123, 133, 135, 146–147, D13/154, 180, 182; D10/46, 104.1, D10/106.1, 70, 72, 75, 80, 103; D9/418, D9/420, 423–424, 432–433; D16/200, D16/202–203, 208, 211–212, 215, 218, D16/225–227, 229, 234

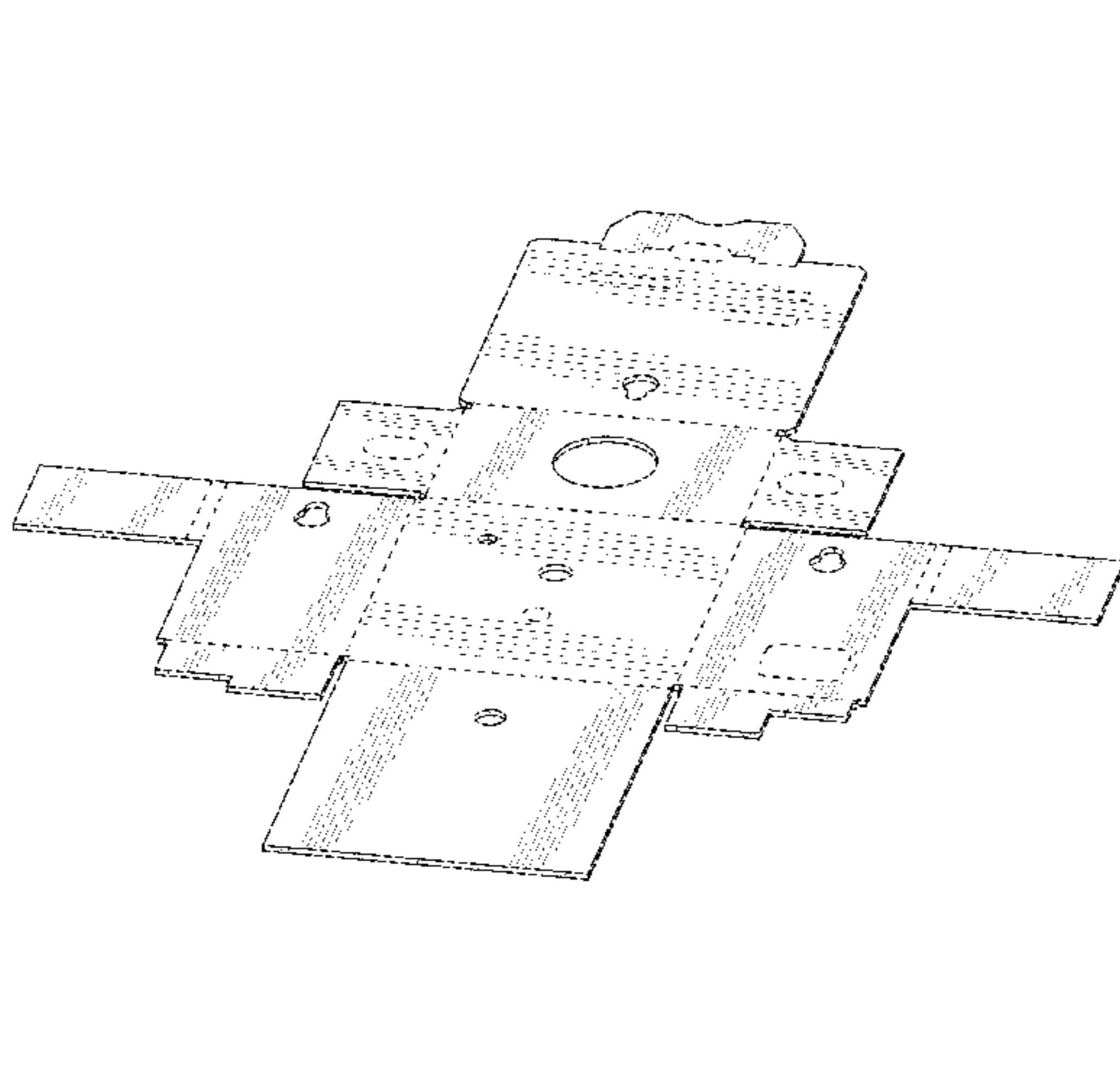
The ornamental design for an electronic device housing, as shown and described.

DESCRIPTION

CPC . H04R 1/00; H04R 1/02; H04R 1/021; H04R 1/025; H04R 1/026; H04R 1/028; H04R 2201/02; H04R 2201/025; H04R 2201/028; H04R 2201/029; B60R 11/0217; B29L 2031/7162; B65D 1/225;

FIG. 1 is a top, left, front perspective view of an electronic device housing, showing our new design;
FIG. 2 is a top plan view thereof;
FIG. 3 is a bottom plan view thereof;
FIG. 4 is a left side elevation view thereof;
FIG. 5 is a right side elevation view thereof;
FIG. 6 is a front elevation view thereof; and,
FIG. 7 is a rear elevation view thereof.
The material shown is of uniform thickness.

(Continued)



The broken lines of even length shown in the drawings illustrate portions of the electronic device housing that form no part of the claimed design.

1 Claim, 7 Drawing Sheets

(58) **Field of Classification Search**

CPC G03B 15/03; G03B 17/02; G03B 17/04;
G03B 17/56; G03B 19/04; H04N 5/2251;
H04N 5/2252; H04N 5/2253; H04N
5/2254; H04N 7/141; H04N 7/142; H04N
7/147; H04N 7/148; H04N 7/15; H04N
7/152

See application file for complete search history.

(56) **References Cited**

U.S. PATENT DOCUMENTS

D220,406 S	4/1971	Hardy	
D238,396 S	1/1976	Hickey et al.	
D252,559 S *	8/1979	Bliss	D9/433
D285,178 S *	8/1986	Ewry	D9/432
D291,534 S *	8/1987	Hamilton	D9/761
4,751,536 A *	6/1988	Ohmura	G03B 19/04 396/6
D340,929 S	11/1993	Klimek	
D349,913 S *	8/1994	Morris	D9/423
D352,453 S	11/1994	Bacchetti et al.	
D356,253 S *	3/1995	Bacchetti	D9/418
D360,620 S	7/1995	Gehrs et al.	
5,520,283 A *	5/1996	Sutherland	B65D 71/20 206/427
D379,586 S *	6/1997	Hale	D9/417
D381,902 S *	8/1997	Chapman	D16/208
D382,002 S	8/1997	Hix et al.	
D388,108 S	12/1997	Kloss	
D416,487 S	11/1999	Shapiro	
D417,150 S	11/1999	Shapiro	
D418,411 S	1/2000	Shapiro	
D434,981 S *	12/2000	Shapiro	D16/208
D448,748 S *	10/2001	Wong	D14/194
D494,061 S	8/2004	Brown	
D496,269 S	9/2004	Hutchinson	
D499,020 S	11/2004	Izen et al.	
D504,904 S	5/2005	Nagai et al.	
D508,491 S *	8/2005	Choi	D14/356
D548,072 S	8/2007	Nixon	
D565,073 S	3/2008	Jeon	
D695,289 S	12/2013	Yamazaki	
D722,099 S	2/2015	Lee	
D729,060 S	5/2015	Trombetta	
D729,759 S *	5/2015	Filo	D14/155
D747,194 S *	1/2016	Melistas	D9/433
D772,221 S	11/2016	Kacin et al.	
D772,223 S	11/2016	Kacin et al.	
D772,224 S	11/2016	Kacin et al.	
D794,695 S	8/2017	Zhang	

D801,335 S	10/2017	Klingebiel	
D807,879 S *	1/2018	Kacin	D14/308
D808,388 S *	1/2018	Kacin	D14/308
D810,077 S	2/2018	Kacin et al.	
D812,053 S *	3/2018	Kacin	D14/308
D820,339 S	6/2018	Yau	
D836,619 S	12/2018	Yokoyama	
D839,336 S	1/2019	Siminoff et al.	
D849,081 S	5/2019	Boling et al.	
D849,110 S	5/2019	Khubani	
D856,391 S	8/2019	Liu	
D856,392 S	8/2019	Luo et al.	
D857,077 S	8/2019	Arens et al.	
D860,295 S	9/2019	Starling	
D861,055 S	9/2019	Sekine	
D864,962 S	10/2019	Jhun et al.	
D865,755 S	11/2019	Yang	
D872,162 S	1/2020	Gao	
D884,050 S *	5/2020	Le	D14/314
D890,720 S *	7/2020	Le	D14/215
D912,508 S *	3/2021	Kirchen	D9/433
D918,715 S *	5/2021	Natsume	D9/432
D920,099 S *	5/2021	Stabile	D9/433
D934,348 S *	10/2021	Han	D21/392
D947,928 S *	4/2022	Zeng	D16/237
2010/0189294 A1 *	7/2010	Basore	H04R 1/02 381/332
2011/0000740 A1 *	1/2011	Carter	H04R 1/02 181/199
2013/0315577 A1	11/2013	Clark et al.	
2018/0072452 A1 *	3/2018	Chambers	B65D 5/541
2018/0124485 A1 *	5/2018	Ivey	H04R 1/025
2018/0124486 A1 *	5/2018	Ivey	H04R 1/026

OTHER PUBLICATIONS

Google AIY Voice Kit, posted at Semageek, review posted Mar. 29, 2018. Site visited Apr. 18, 2022. URL: <<https://boutique.semageek.com/en/1211-google-aiy-voice-kit-3009053084088.html>> (Year: 201).*

Gilbert, Ben, Google says this \$45 cardboard box has artificial intelligence that can watch your dog and guard your house, posted at Business Insider, posted Dec. 1, 2017. Site visited Jul. 6, 2017. URL: <<https://www.businessinsider.com/google-ai-camera-raspberry-pi-2017-12>> (Year: 2017).

Burgett, Gannon, Make your own DIY Polaroid camera with a Raspberry Pi and a receipt printer, posted at Digital Trends, posting date May 20, 2016. Site visited Jul. 17, 2019. URL: <<https://www.digitaltrends.com/photography/instant-camera-raspberry-pi-thermal-printer/>> (Year: 2016).

Estrada, Maren, This best-selling \$38 security camera has features a \$200 Nest Cam can't even dream of, posted at BGR, posting date Oct. 22, 2018. Site visited Jul. 17, 2019. URL: <<https://bgr.com/2018/10/22/best-selling-home-security-camera-beats-nest-cam/>> (Year: 2018).

No 4 Bullet Kodak, posted at Red Bellows Antique & Vintage Photographic Equipment, image copyright 2015. Site visited Jul. 17, 2019. URL: <http://redbellows.co.uk/CameraCollection/Kodak/No4BulletKodak_635.htm> (Year: 2015).

* cited by examiner

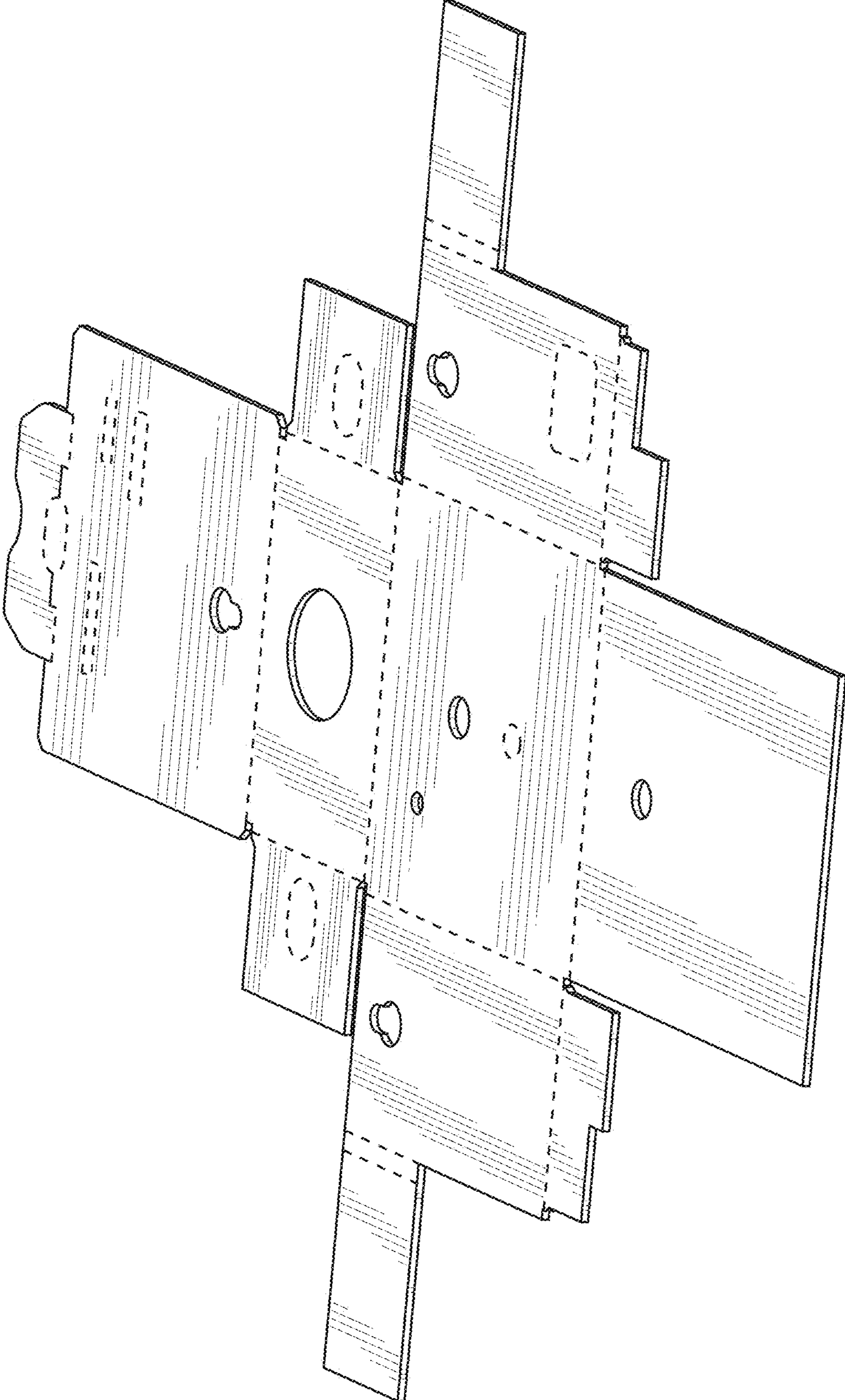


FIG. 1

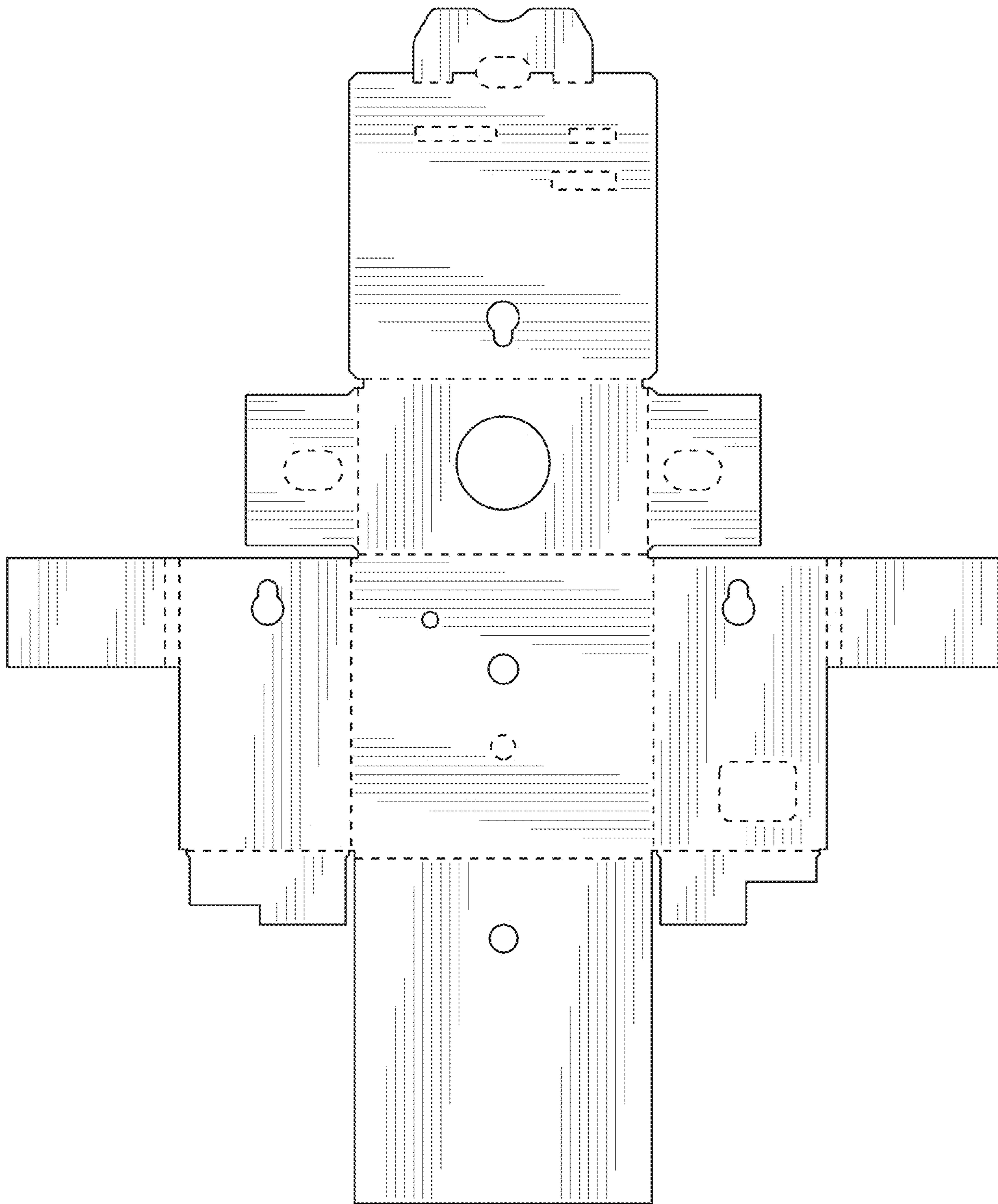


FIG. 2

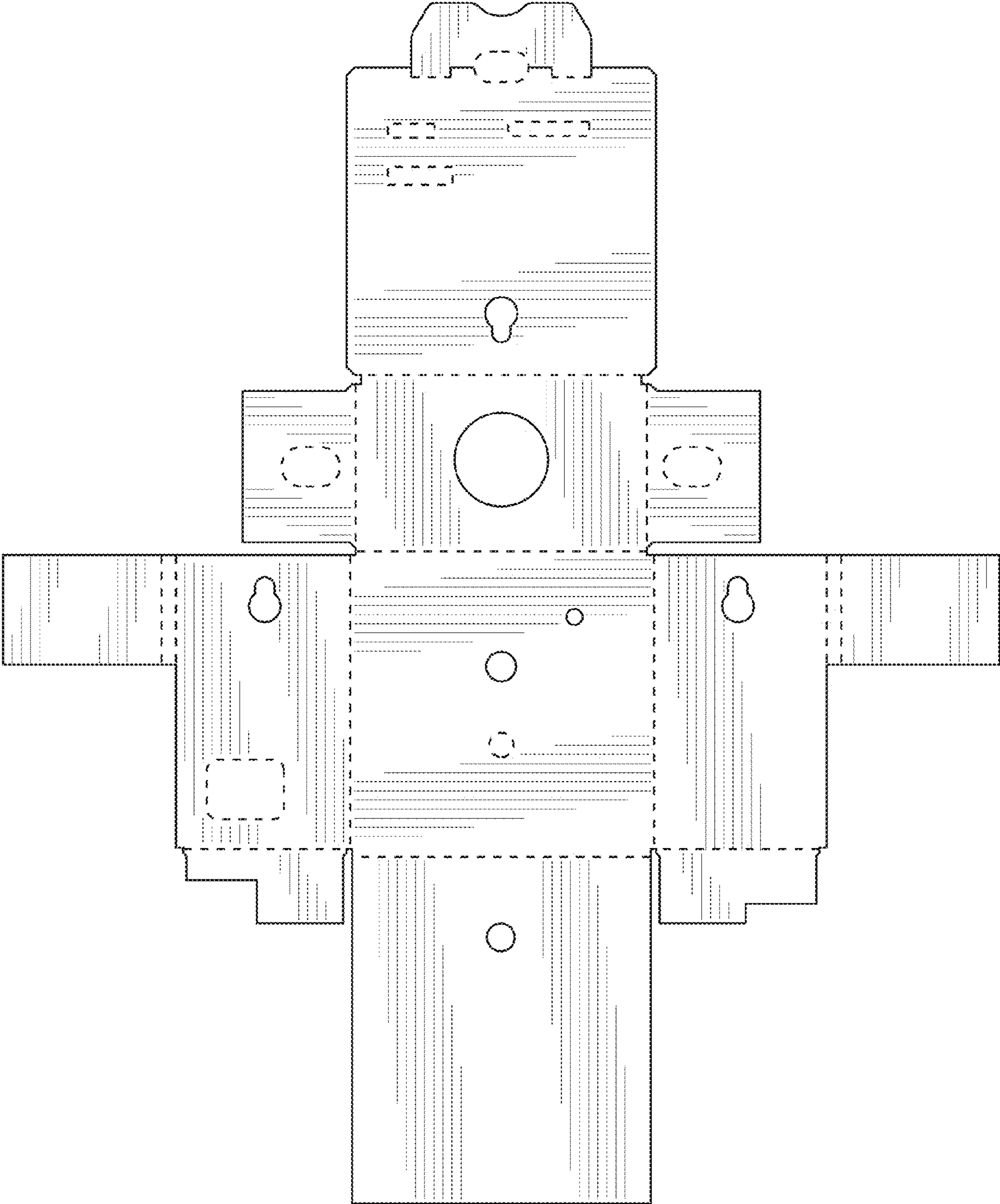


FIG. 3



FIG. 4

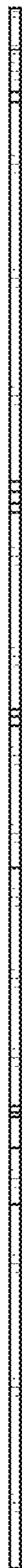


FIG. 5

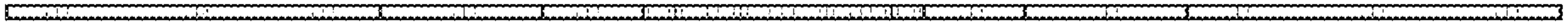


FIG. 6

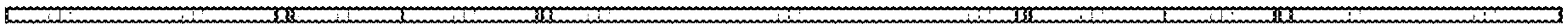


FIG. 7