



US00D962054S

(12) **United States Design Patent** (10) **Patent No.:** **US D962,054 S**  
**Yu** (45) **Date of Patent:** **\*\* Aug. 30, 2022**

(54) **GIFT BOX**  
(71) Applicant: **Zhengliang Yu**, Xiamen (CN)  
(72) Inventor: **Zhengliang Yu**, Xiamen (CN)  
(\*\*) Term: **15 Years**  
(21) Appl. No.: **29/786,692**  
(22) Filed: **Jun. 2, 2021**  
(51) **LOC (13) Cl.** ..... **09-03**  
(52) **U.S. Cl.**  
USPC ..... **D9/432; D9/433**  
(58) **Field of Classification Search**  
USPC ..... D9/414-423, 430-433, 457, 699, 711,  
D9/713, 737; D3/276, 294  
CPC ..... B65D 5/00; B65D 5/0015; B65D 5/02;  
B65D 5/0227; B65D 5/0236; B65D 5/18;  
B65D 5/20; B65D 5/32  
See application file for complete search history.

D874,266 S \* 2/2020 Perella ..... D9/432  
D874,267 S \* 2/2020 Perella ..... D9/432  
D889,993 S 7/2020 Lofrisco et al.  
11,167,876 B2 \* 11/2021 Fillion ..... B65D 45/32  
D947,019 S \* 3/2022 Safdie ..... D9/418  
D950,373 S \* 5/2022 Wang ..... D9/420  
2013/0161378 A1 \* 6/2013 Nebeker ..... B65D 33/065  
229/162.1

(Continued)

**OTHER PUBLICATIONS**

Foldable Kraft Gift Boxes, [online] Published on Jun. 16, 2021.  
Retrieved Jun. 28, 2022 from URL: <http://www.4giftpack.com/foldable-gift-boxes.html> (Year: 2021).\*

(Continued)

*Primary Examiner* — Vy N Koenig

(57) **CLAIM**

The ornamental design for a gift box, as shown and described.

(56) **References Cited**

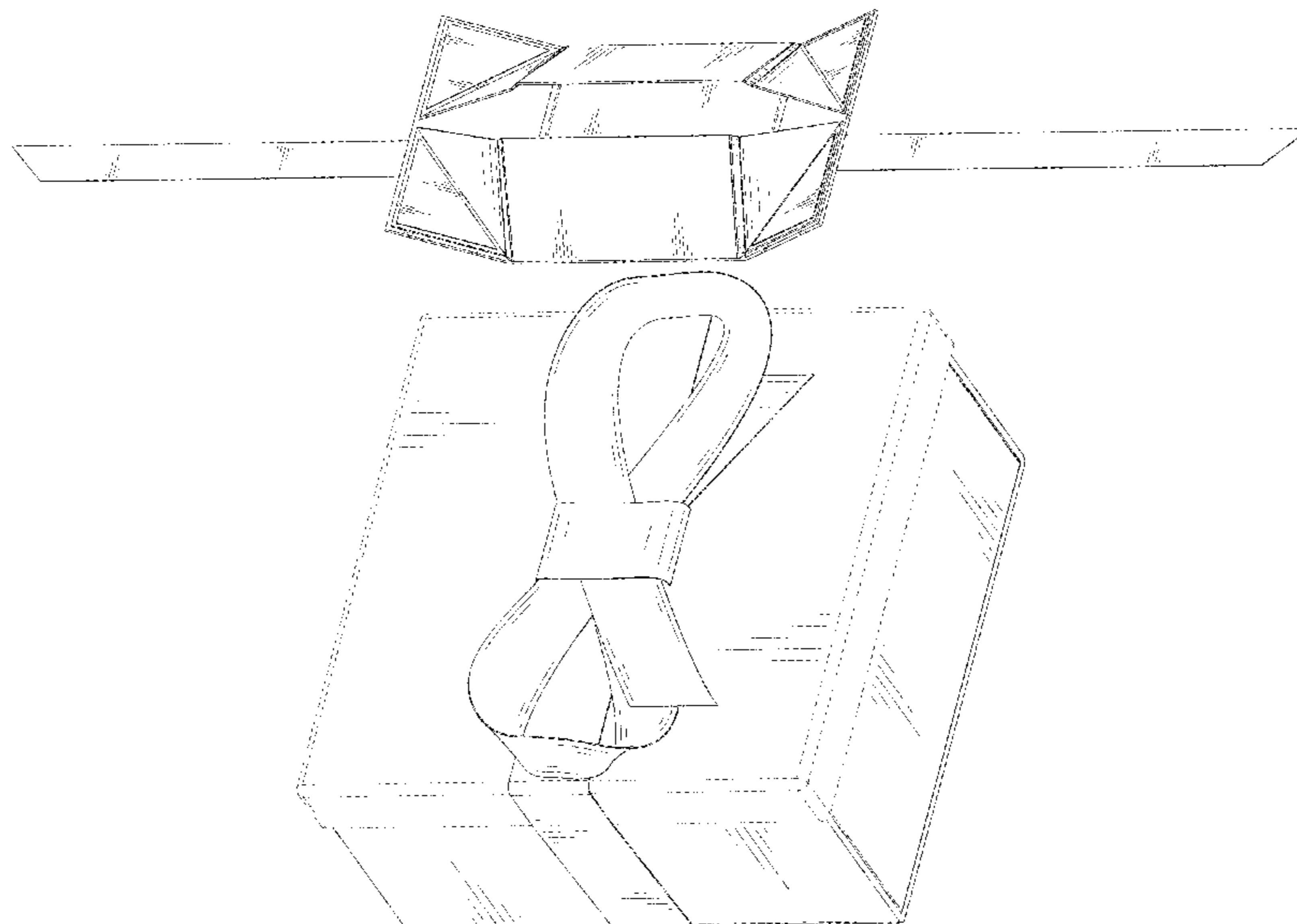
**U.S. PATENT DOCUMENTS**

1,735,191 A \* 11/1929 Weisenberg ..... B65D 5/4262  
229/125.22  
D244,749 S \* 6/1977 Hodges ..... D9/635  
4,566,592 A \* 1/1986 Klukos ..... B65D 75/20  
206/451  
5,004,144 A \* 4/1991 Selga ..... A45C 7/0095  
206/521  
D482,494 S \* 11/2003 Sheng ..... D9/635  
D491,603 S \* 6/2004 Warkentin ..... D19/2  
D499,022 S 11/2004 Sun  
D549,590 S \* 8/2007 Mauerhan ..... D9/635  
D584,959 S \* 1/2009 Tinsley ..... D9/635  
D614,026 S \* 4/2010 Lince ..... D9/635  
D730,742 S \* 6/2015 Glass ..... D9/635  
D763,071 S \* 8/2016 Irek ..... D9/418  
D765,502 S \* 9/2016 Irek ..... D9/635  
D783,721 S \* 4/2017 Stephen ..... D20/11  
D817,771 S \* 5/2018 Smith ..... D9/635  
10,532,867 B2 \* 1/2020 Glass ..... G07F 17/00

**DESCRIPTION**

FIG. 1 is a perspective view of a gift box showing my new design;  
FIG. 2 is another perspective view thereof;  
FIG. 3 is a front elevational view thereof;  
FIG. 4 is a rear elevational view thereof;  
FIG. 5 is a left side elevational view thereof;  
FIG. 6 is a right side elevational view thereof;  
FIG. 7 is a top plan view thereof;  
FIG. 8 is a bottom plan view thereof;  
FIG. 9 is a perspective view of the gift box where the gift box is in a fully open state; and,  
FIG. 10 is a perspective view of the gift box where the gift box is in a folded state.  
The broken lines in the drawings depict environment that form no part of the claimed design.

**1 Claim, 10 Drawing Sheets**



(56)

**References Cited**

U.S. PATENT DOCUMENTS

2013/0186782 A1\* 7/2013 Doyle ..... B65D 5/425  
229/116.1  
2013/0186896 A1\* 7/2013 Doyle ..... B65D 5/4262  
220/259.1  
2020/0148408 A1\* 5/2020 Fillion ..... B65D 45/32

OTHER PUBLICATIONS

Custom luxury black cardboard foldable magnetic ribbon. [online]  
Retrieved Jun. 28, 2022 from URL: [https://thepackagingpro.com/  
custom-rigid-boxes/custom-luxury-black-cardboard-foldable-magnetic-  
ribbon-closure-baseball-cap-packaging-box/](https://thepackagingpro.com/custom-rigid-boxes/custom-luxury-black-cardboard-foldable-magnetic-ribbon-closure-baseball-cap-packaging-box/) (Year: 2022).\*

Foldable Gift Boxes, [online] Published Nov. 18, 2021. Retrieved  
from URL: [http://www.gift-box.net/blog/category/foldable-gift-  
boxes/#.YrSKxifMJJaQ](http://www.gift-box.net/blog/category/foldable-gift-boxes/#.YrSKxifMJJaQ) (Year: 2021).\*

\* cited by examiner

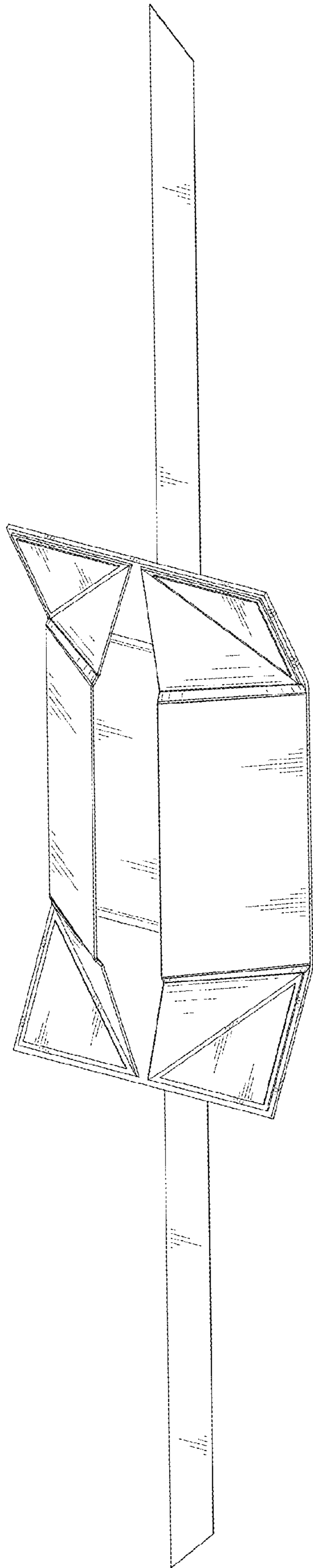


FIG. 1

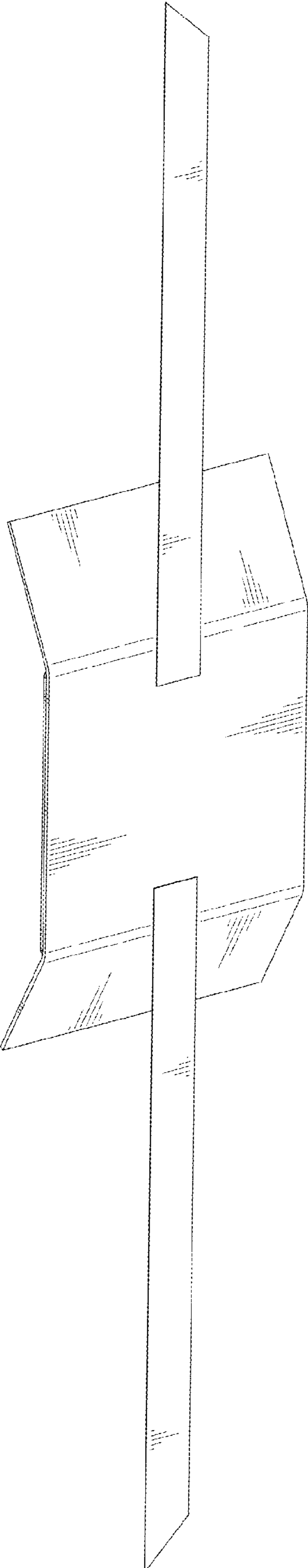


FIG. 2

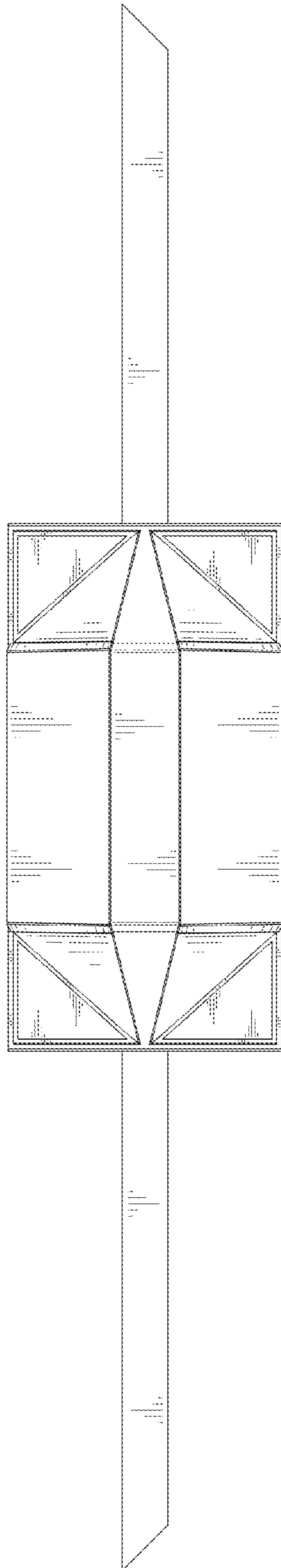


FIG. 3

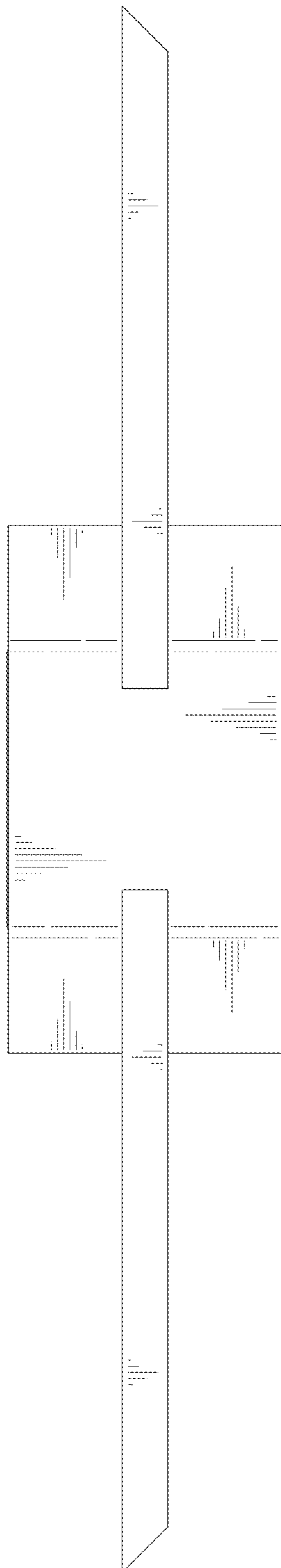


FIG. 4

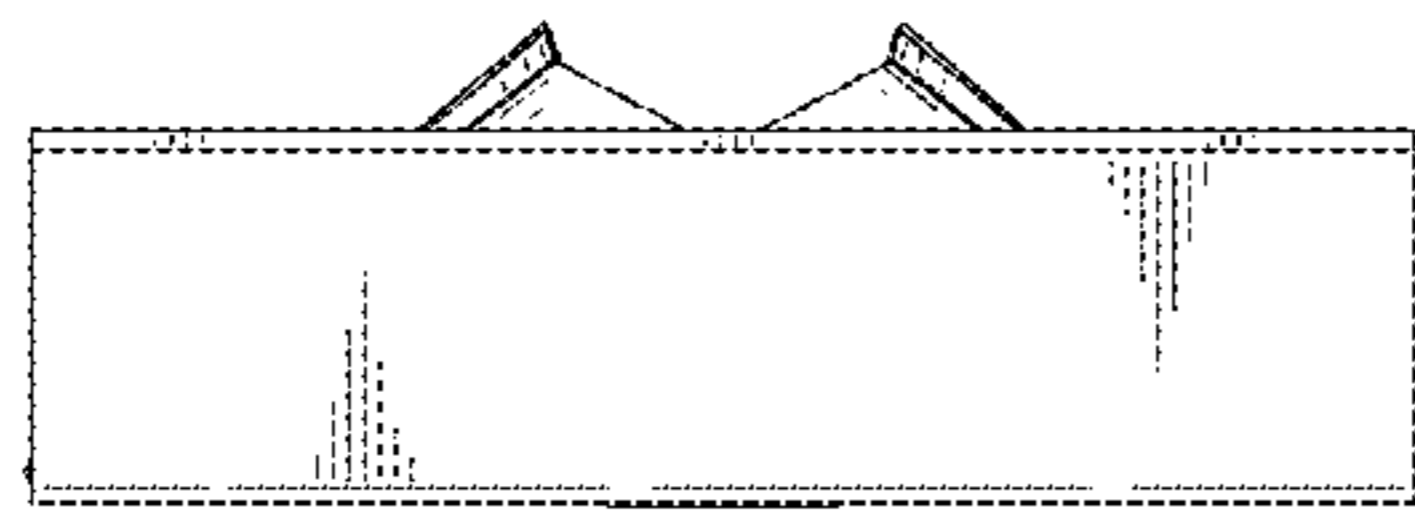


FIG. 5

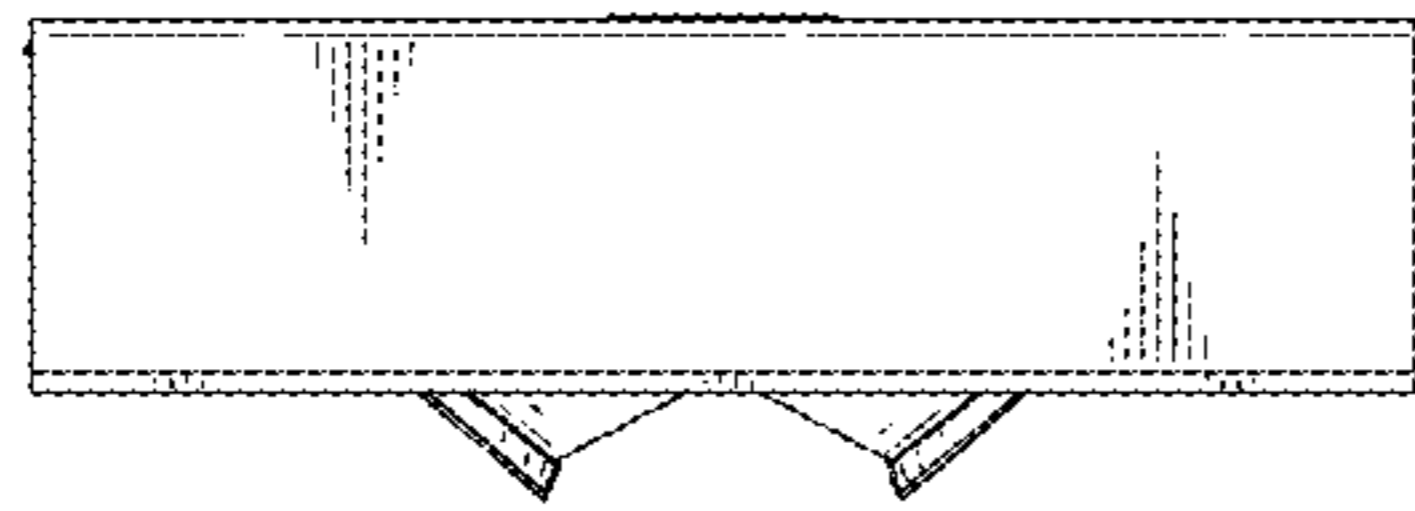


FIG. 6



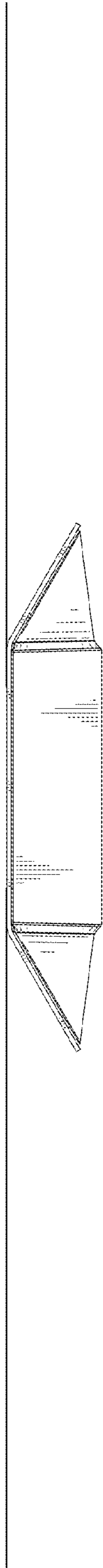


FIG. 7

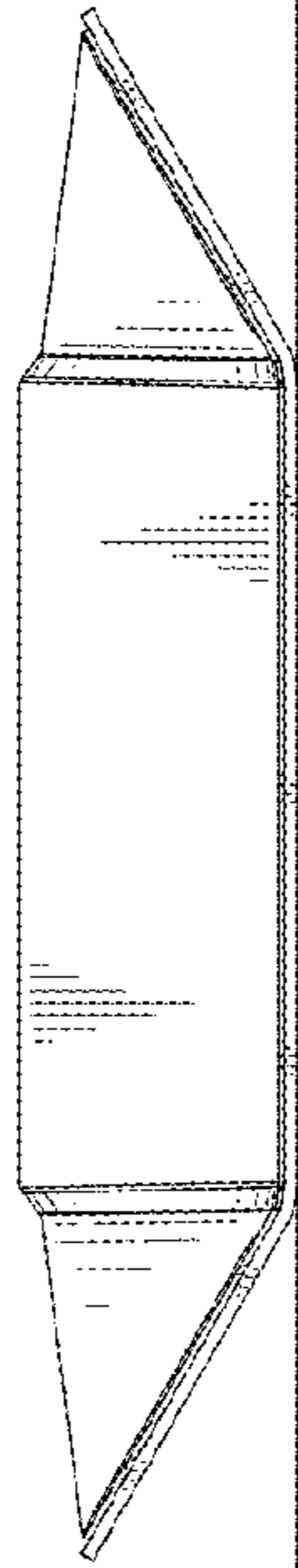


FIG. 8

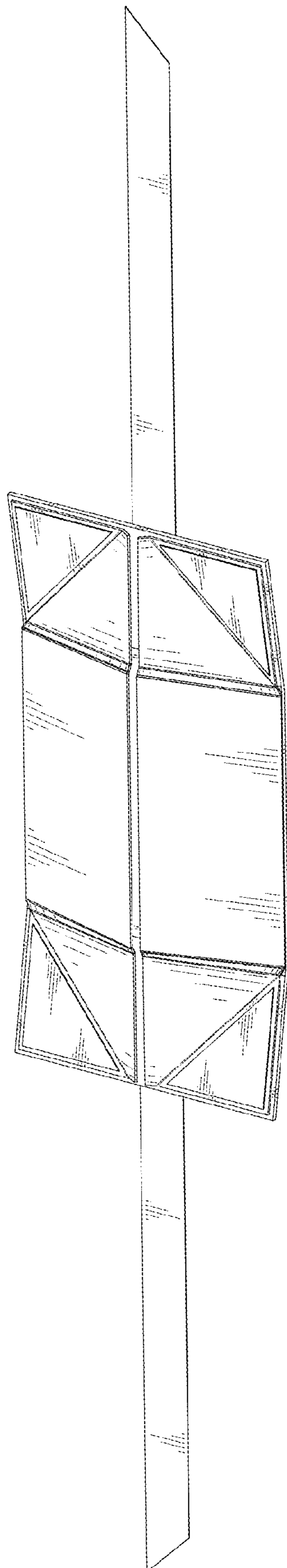


FIG. 9

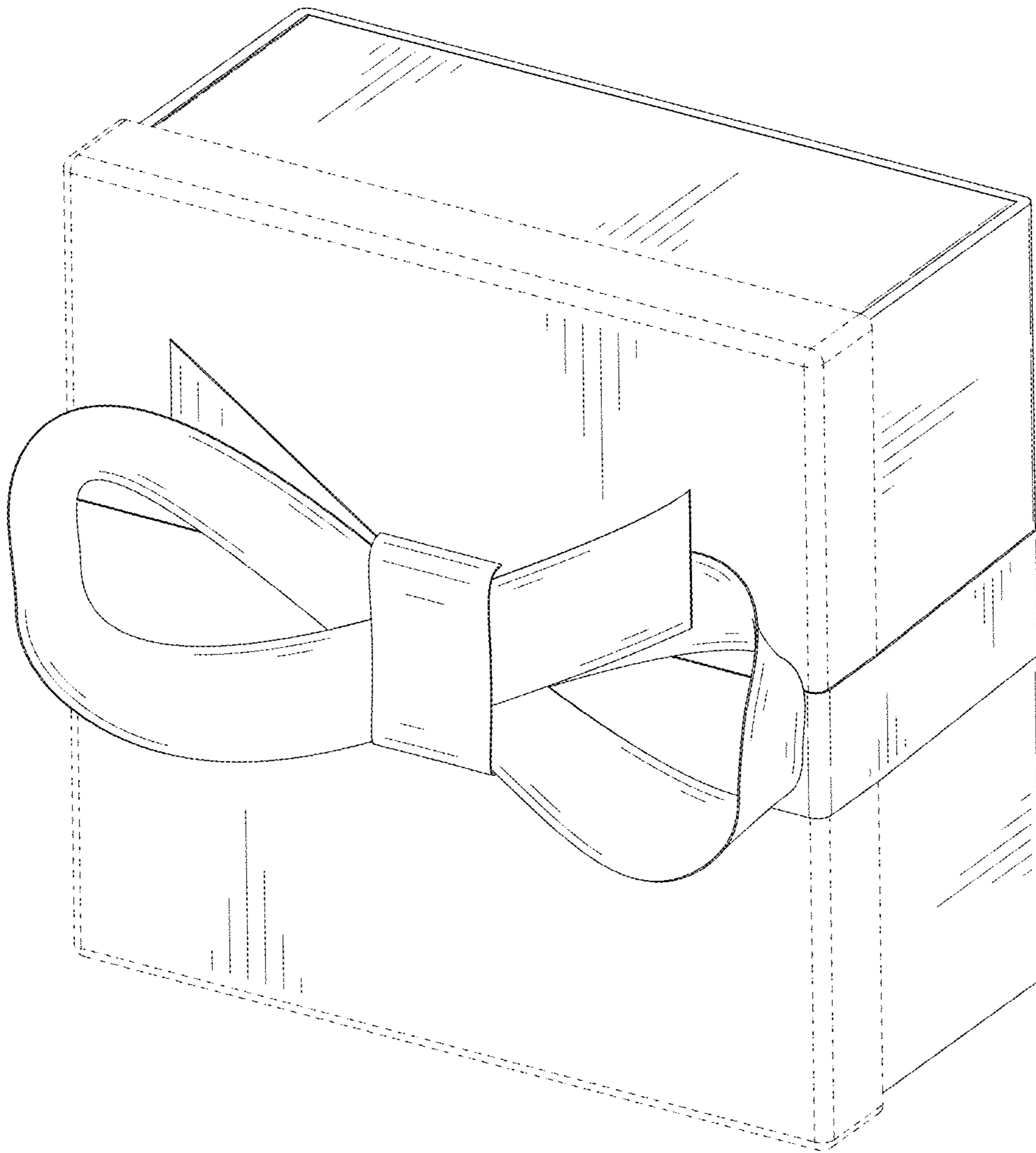


FIG. 10