



US00D962049S

(12) **United States Design Patent** (10) **Patent No.:** **US D962,049 S**
Caicedo et al. (45) **Date of Patent:** **** *Aug. 30, 2022**

(54) **CONTAINER**

(71) Applicant: **BMIC LLC**, Dallas, TX (US)

(72) Inventors: **Carlos Caicedo**, Dallas, TX (US); **Natalie Cruz**, Dallas, TX (US); **Carol Monza**, Dallas, TX (US); **Michael Comiskey**, Dallas, TX (US); **David Shin**, Dallas, TX (US); **Don Miller**, Dallas, TX (US); **Carolyn Eckert**, Dallas, TX (US)

(73) Assignee: **BMIC LLC**, Dallas, TX (US)

(*) Notice: This patent is subject to a terminal disclaimer.

(**) Term: **15 Years**

(21) Appl. No.: **29/757,736**

(22) Filed: **Nov. 9, 2020**

(51) **LOC (13) Cl.** **09-03**

(52) **U.S. Cl.**
USPC **D9/414**

(58) **Field of Classification Search**
USPC D9/414-418, 499, 432, 435, 516;
D27/101; D3/273
CPC A24F 15/01; A63H 33/065; A01N 25/26
See application file for complete search history.

(56) **References Cited**

U.S. PATENT DOCUMENTS

D329,199 S *	9/1992	Corso	D9/418
6,116,981 A *	9/2000	Zheng	A63H 33/065
				446/106
6,350,461 B1 *	2/2002	Levy	A01N 25/26
				424/409
D468,529 S *	1/2003	Sabounjian	D3/273

(Continued)

Primary Examiner — Rhea Shields

(74) *Attorney, Agent, or Firm* — Greenberg Traurig, LLP

(57) **CLAIM**

The ornamental design for a container, as shown and described.

DESCRIPTION

FIG. 1 is a front perspective view of a first embodiment of a container.

FIG. 2 is a front view of the first embodiment of the container shown in FIG. 1.

FIG. 3 is a back view of the first embodiment of the container shown in FIG. 1.

FIG. 4 is a right side view of the first embodiment of the container shown in FIG. 1.

FIG. 5 is a left side view of the first embodiment of the container shown in FIG. 1.

FIG. 6 is a top view of the first embodiment of the container shown in FIG. 1.

FIG. 7 is a bottom view of the first embodiment of the container shown in FIG. 1.

FIG. 8 is a front perspective view of a second embodiment of a container.

FIG. 9 is a front view of the second embodiment of the container shown in FIG. 8.

FIG. 10 is a back view of the second embodiment of the container shown in FIG. 8.

FIG. 11 is a right side view of the second embodiment of the container shown in FIG. 8.

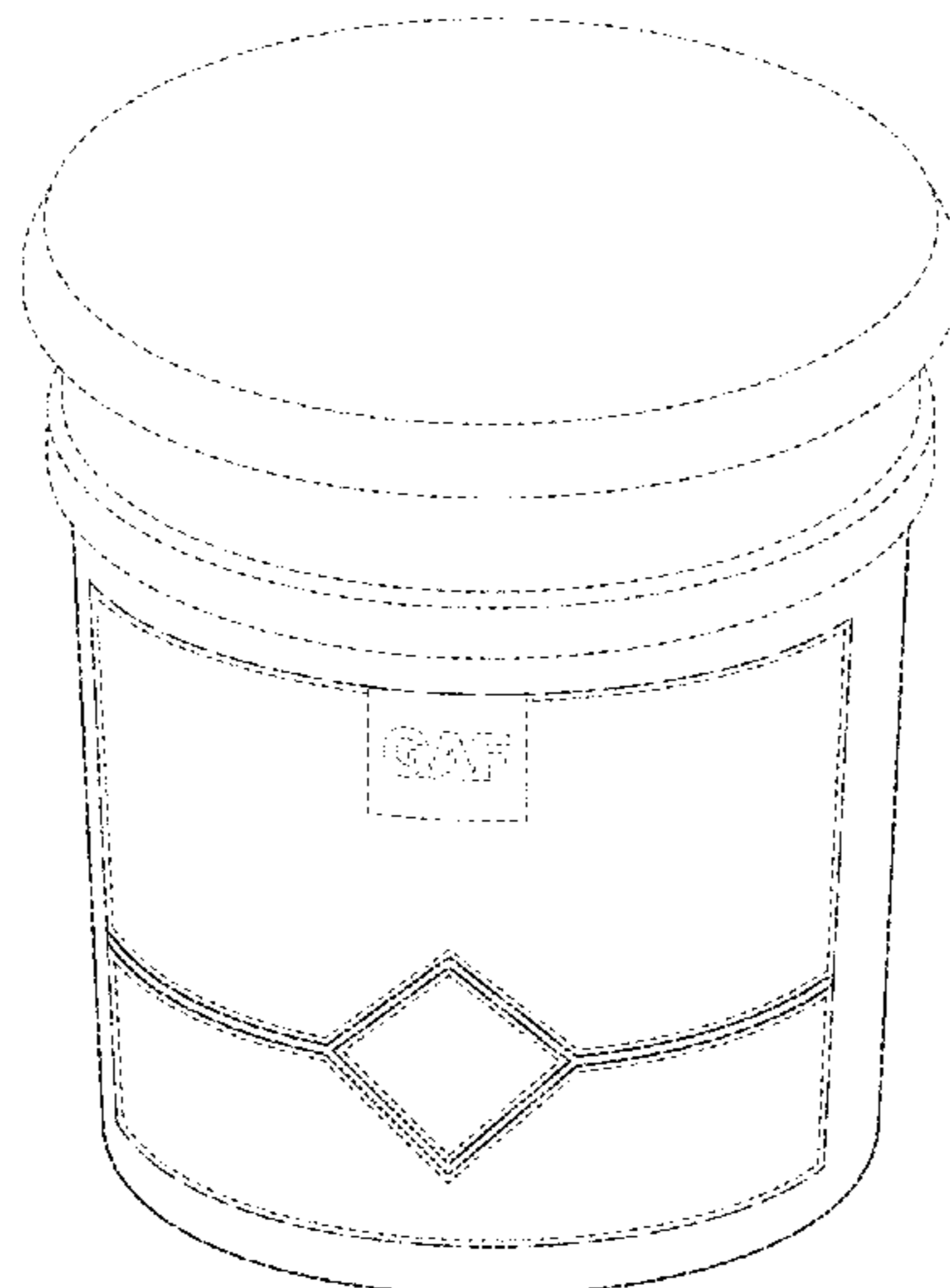
FIG. 12 is a left side view of the second embodiment of the container shown in FIG. 8.

FIG. 13 is a top view of the second embodiment of the container shown in FIG. 8; and,

FIG. 14 is a bottom view of the second embodiment of the container shown in FIG. 8.

In the drawings, the longer dash-dash broken lines are for the purpose of illustrating the boundaries of the claim that form no part of the claimed design. In the drawings, the shorter dash-dash broken lines are for the purpose of illustrating portions of the container that form no part of the claimed design.

1 Claim, 8 Drawing Sheets



(56)

References Cited

U.S. PATENT DOCUMENTS

D481,316	S	*	10/2003	Hook	D9/435
D525,134	S	*	7/2006	Grant	D9/516
D628,063	S	*	11/2010	Kusumi	D9/432
D678,762	S	*	3/2013	Cooper	D9/418
D773,300	S	*	12/2016	Uribe	D9/499
D776,537	S	*	1/2017	Uribe	D9/499
D777,035	S	*	1/2017	Uribe	D9/499
D777,571	S	*	1/2017	Borkovetz	D9/432
D782,905	S	*	4/2017	Borkovetz	D9/418
D794,441	S	*	8/2017	Boston	D9/414
D801,799	S	*	11/2017	Boston	D9/414
D838,587	S	*	1/2019	Laliberte	D9/432
D877,971	S	*	3/2020	Bowen	D27/101
D881,003	S	*	4/2020	Hendricks	D9/432
D918,716	S	*	5/2021	Caicedo	D9/432
D929,860	S	*	9/2021	Caicedo	D9/432
D929,861	S	*	9/2021	Caicedo	D9/432
2015/0034507	A1	*	2/2015	Liu	A24F 15/01 206/256

* cited by examiner

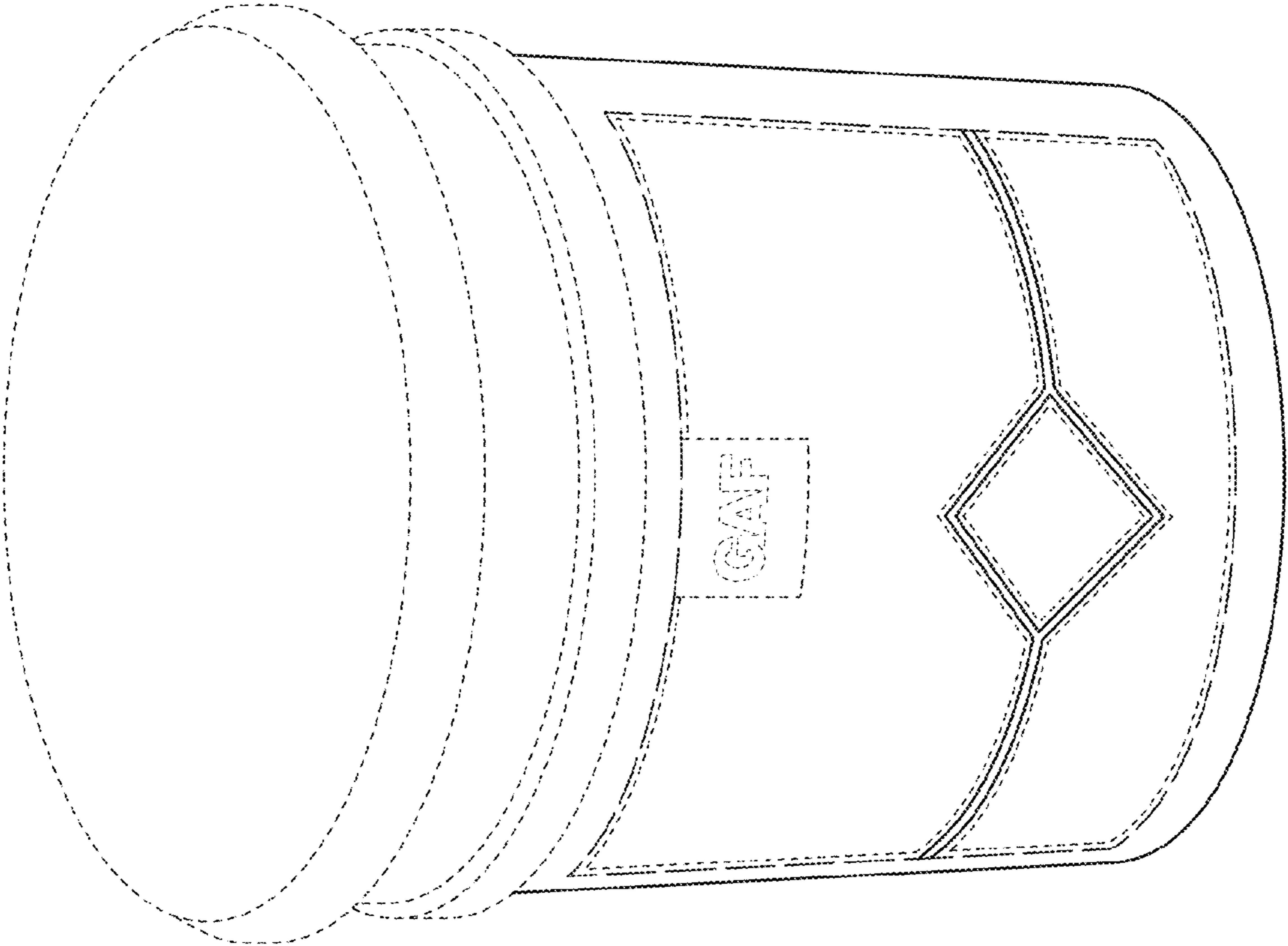


FIG. 1

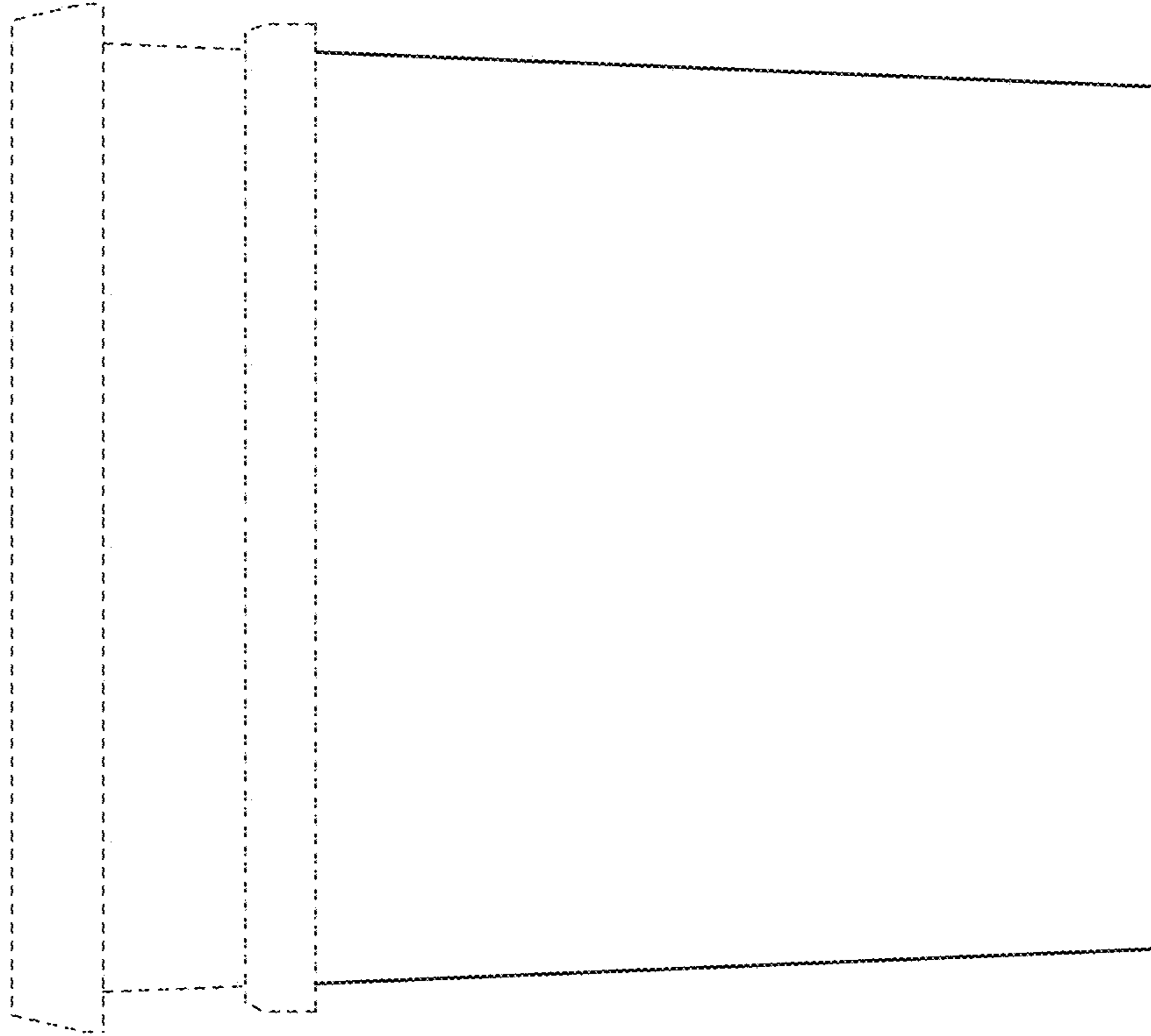


FIG. 3

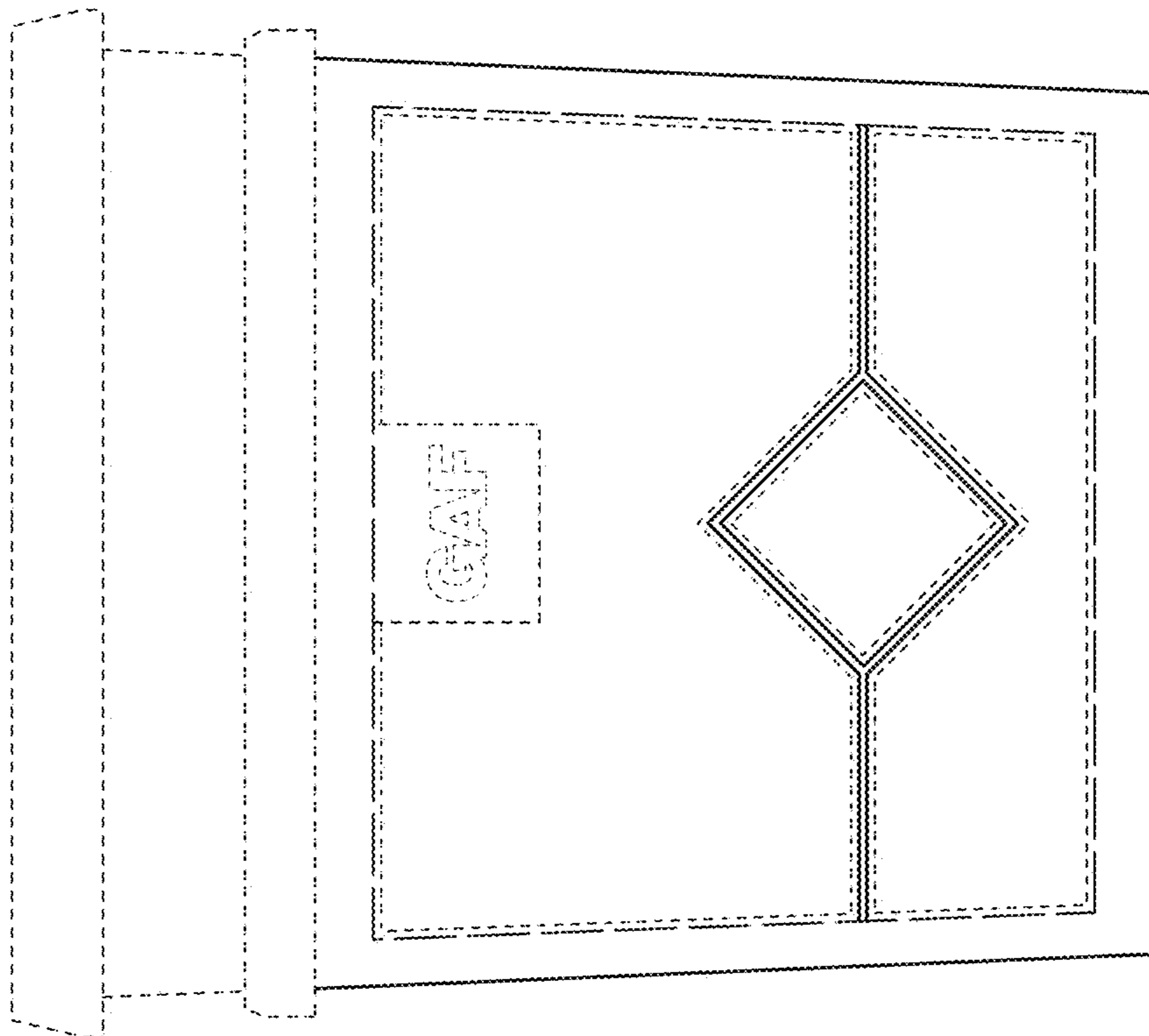


FIG. 2

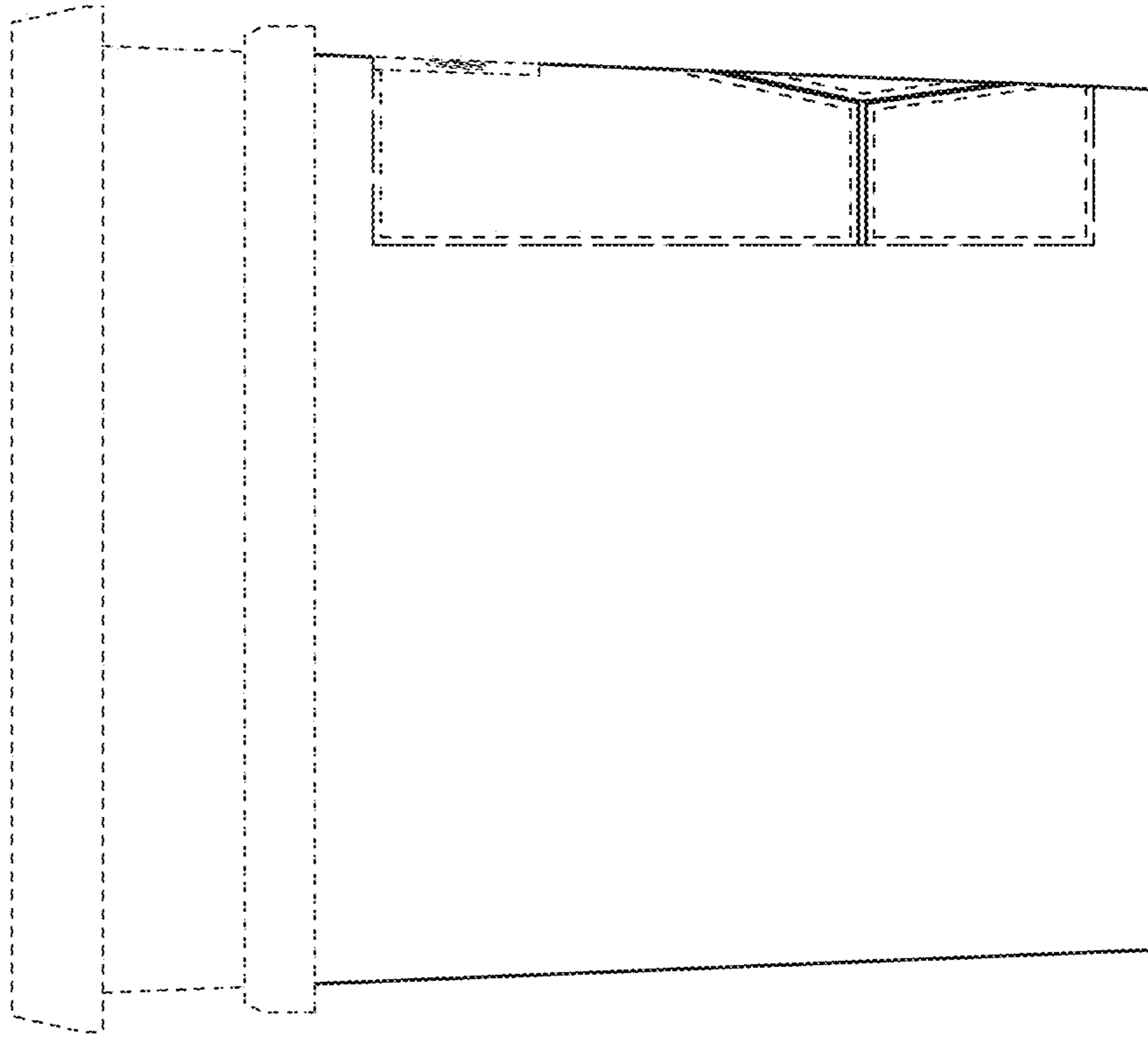


FIG. 5

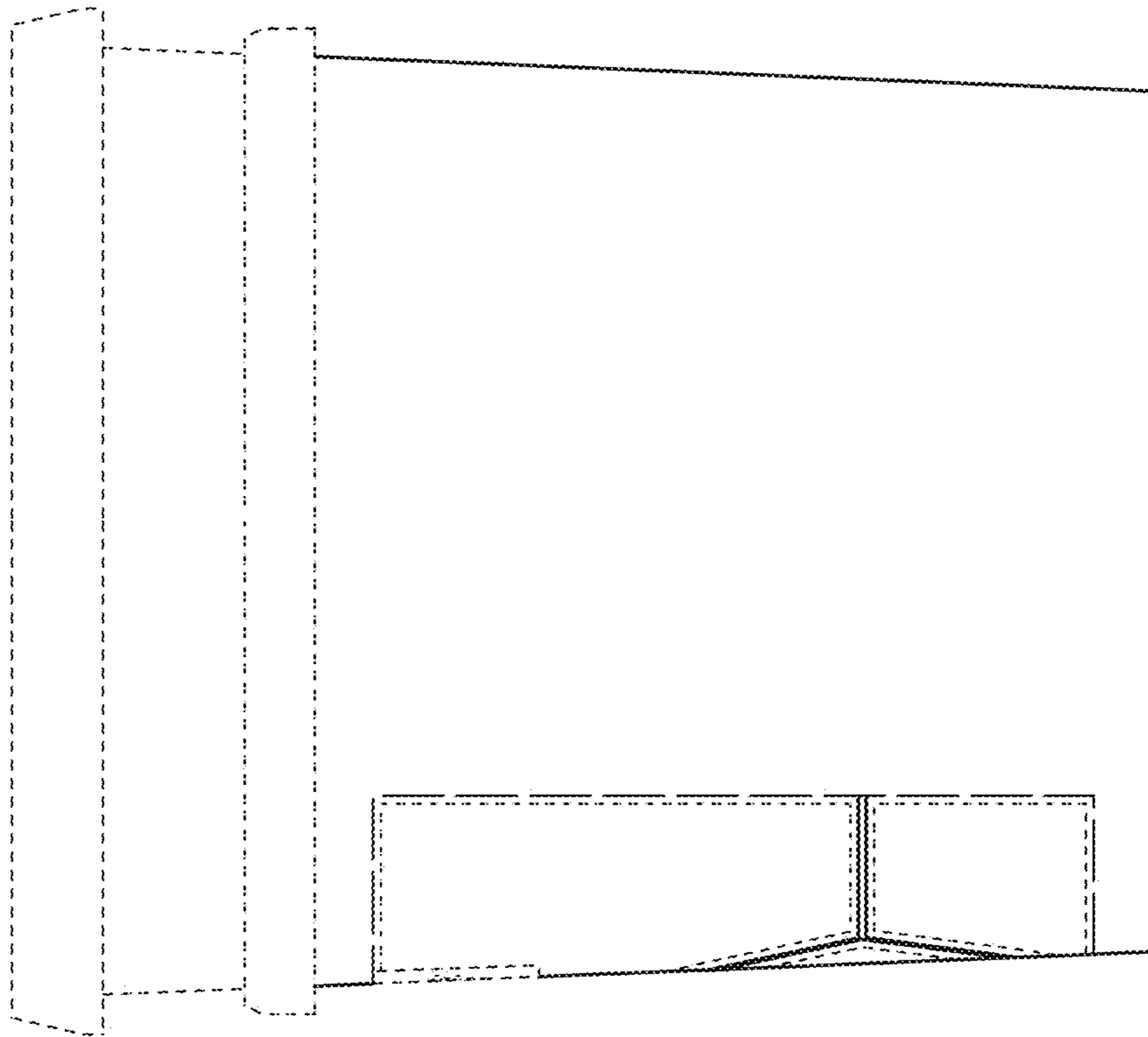


FIG. 4

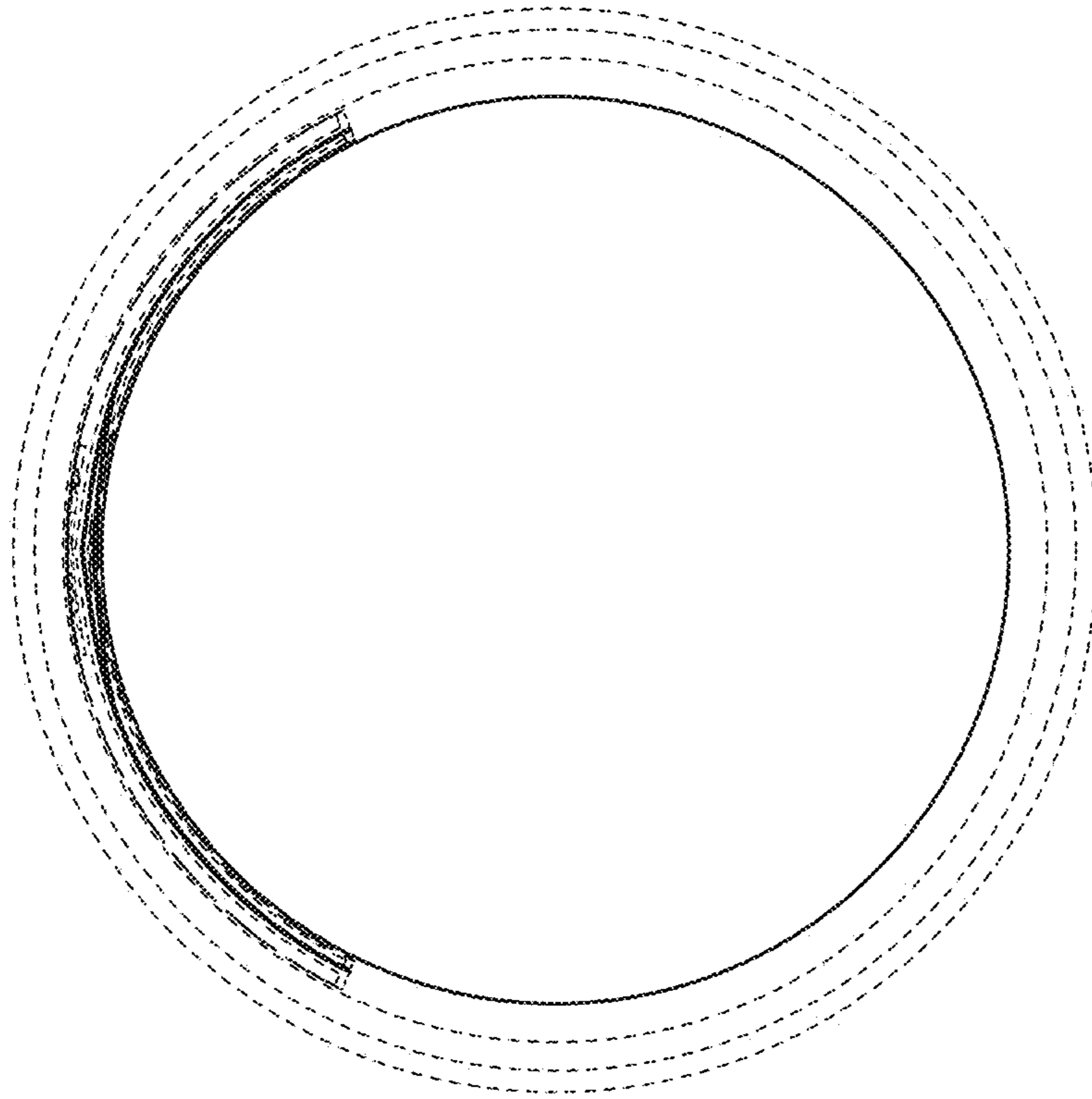


FIG. 7

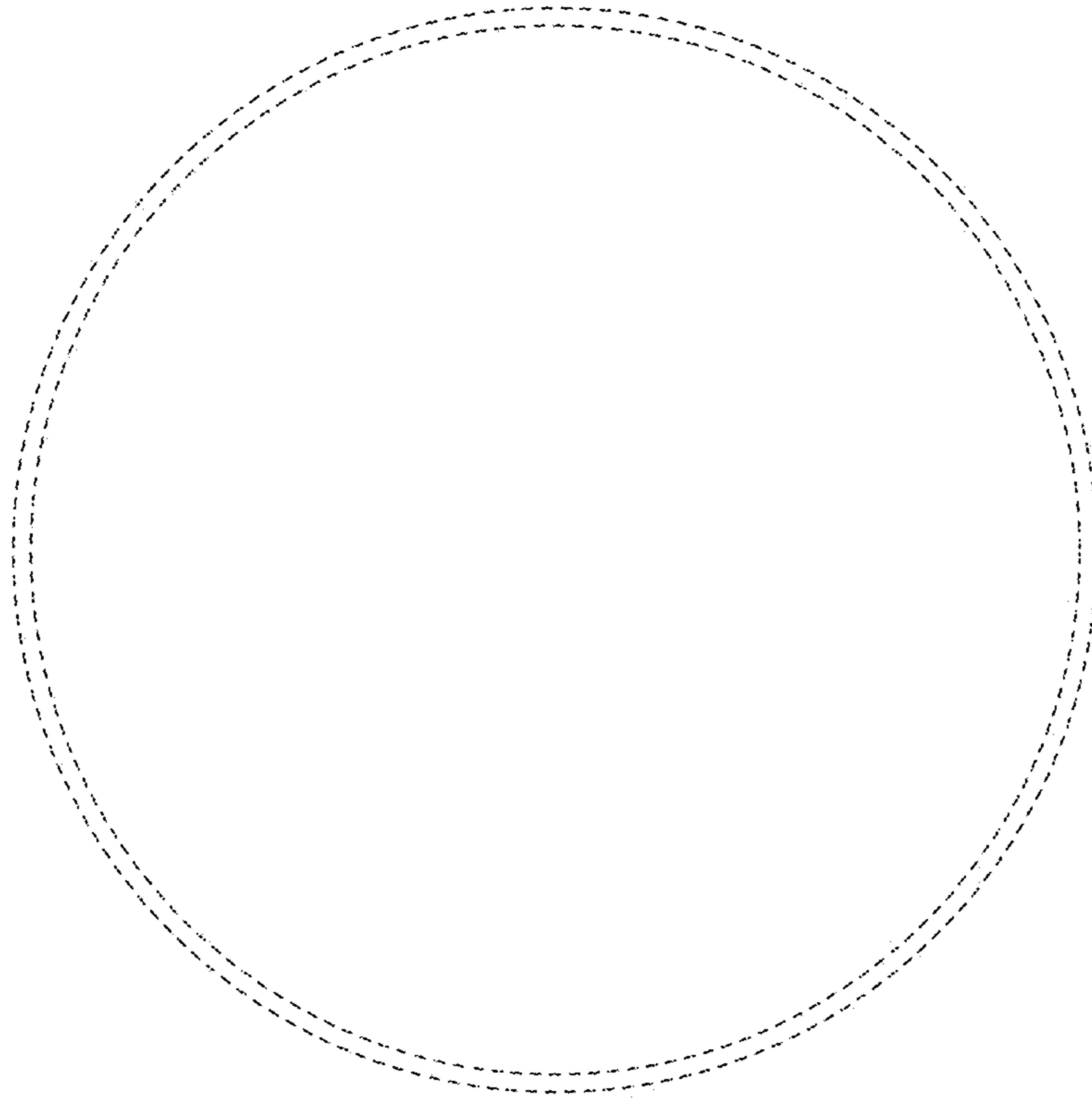


FIG. 6

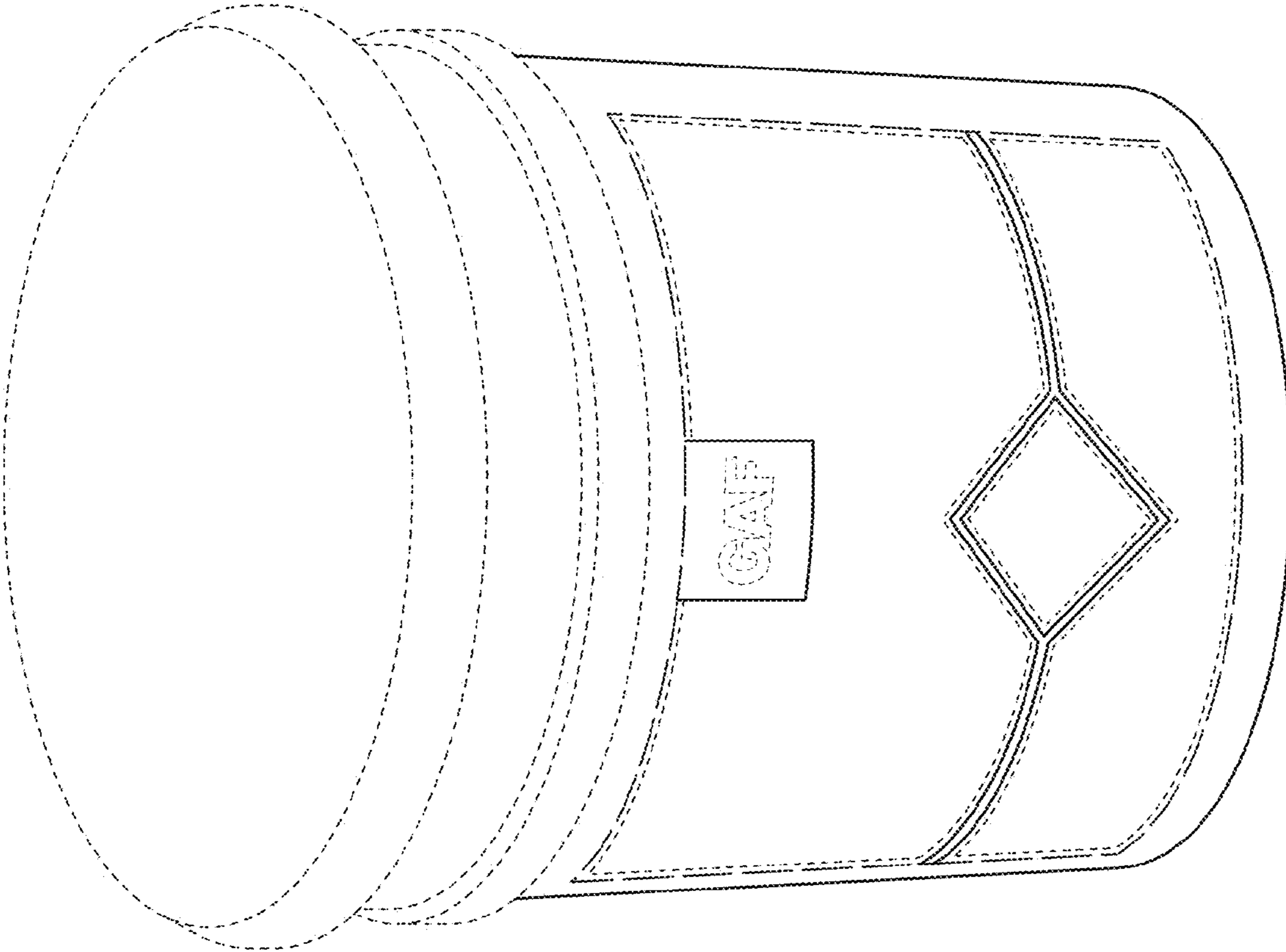


FIG. 8

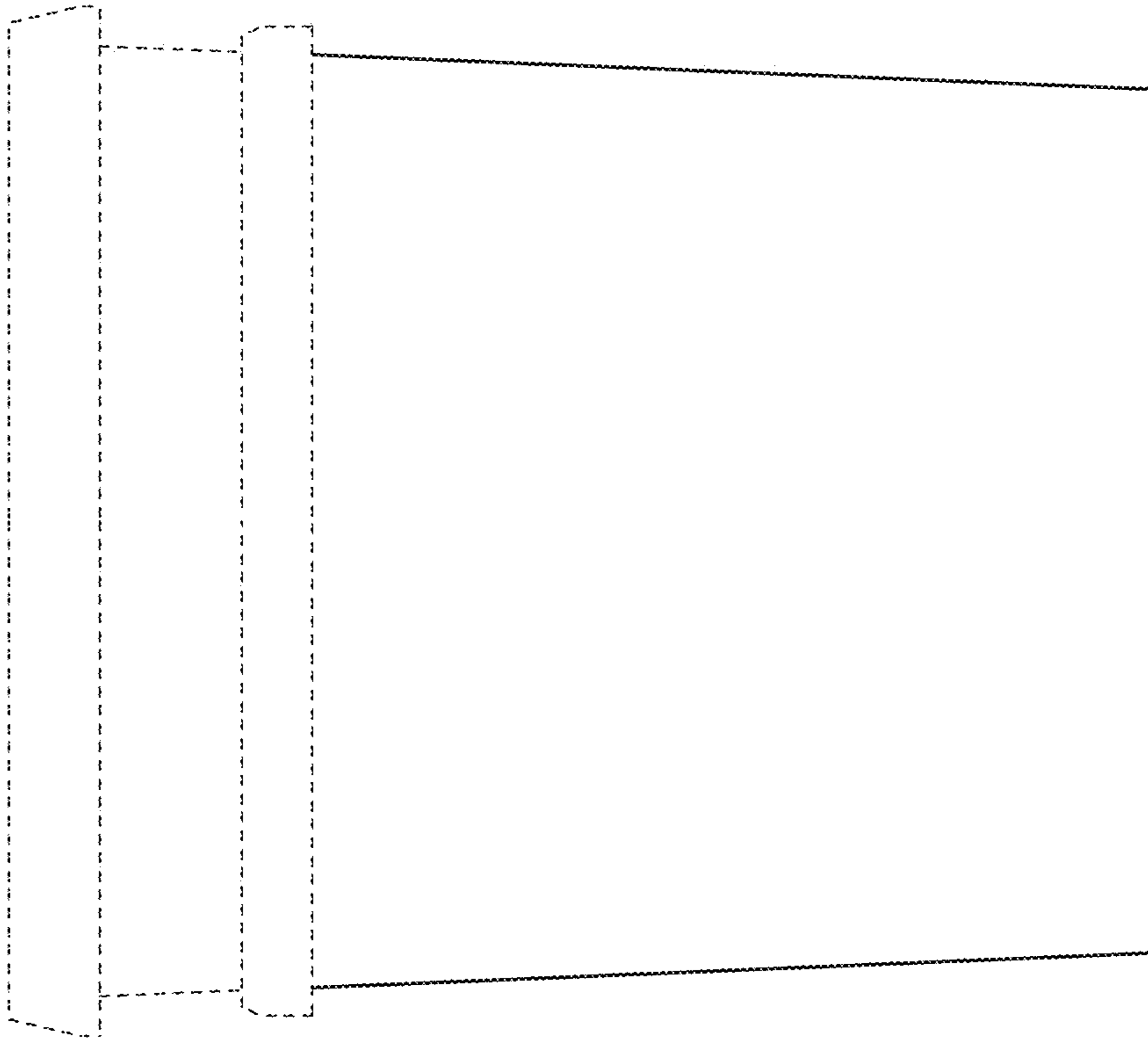


FIG. 10

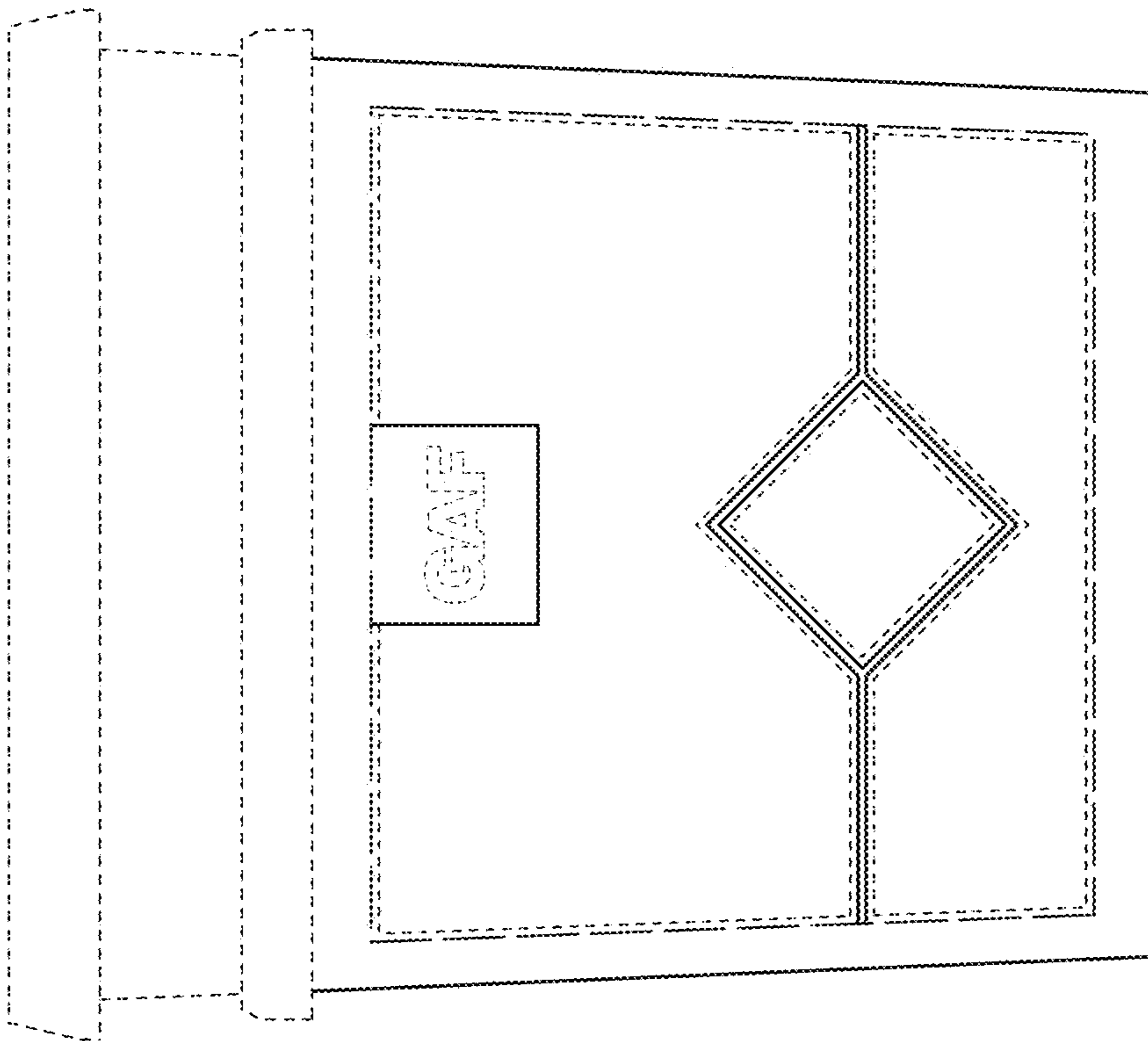


FIG. 9

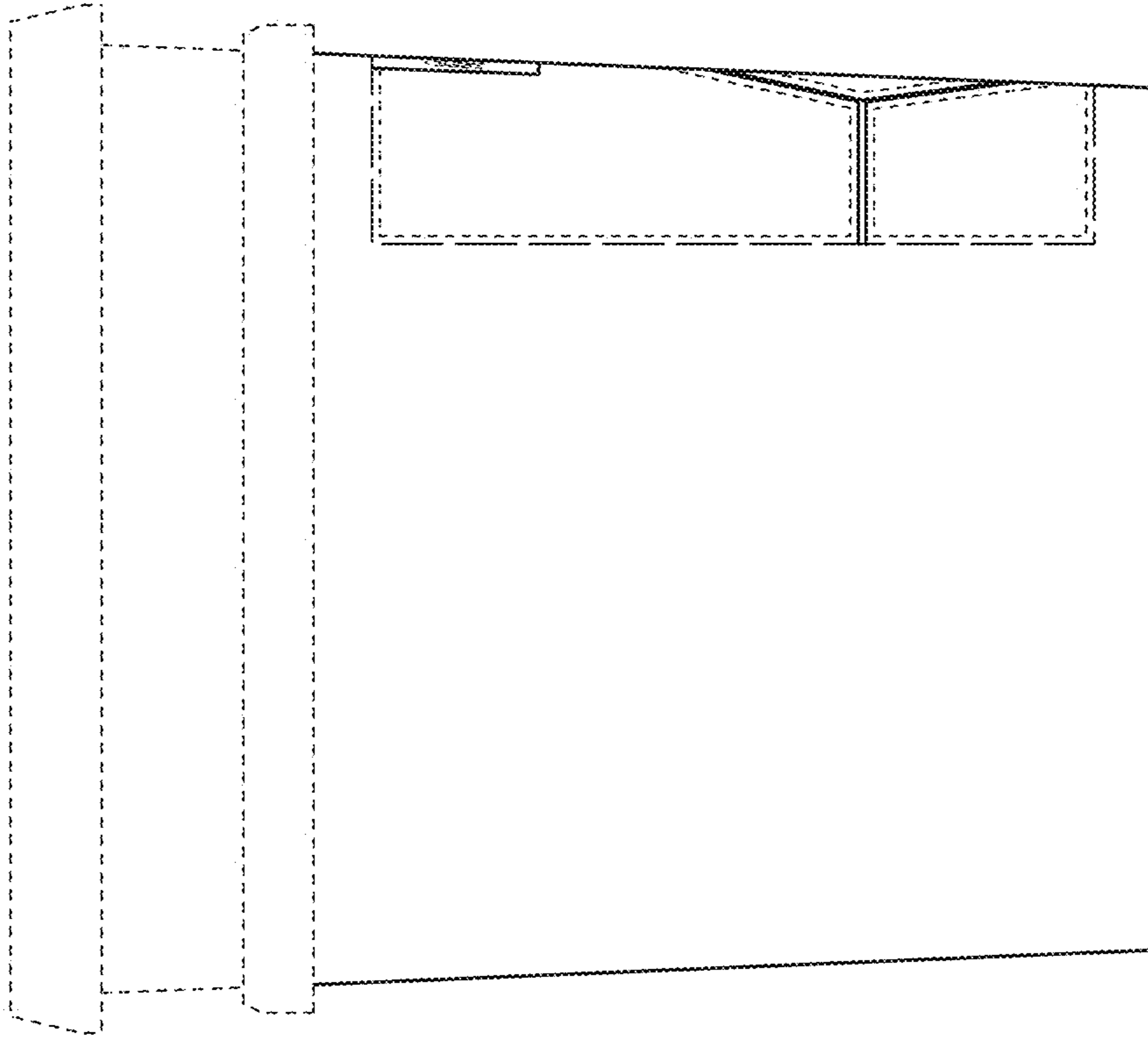


FIG. 12

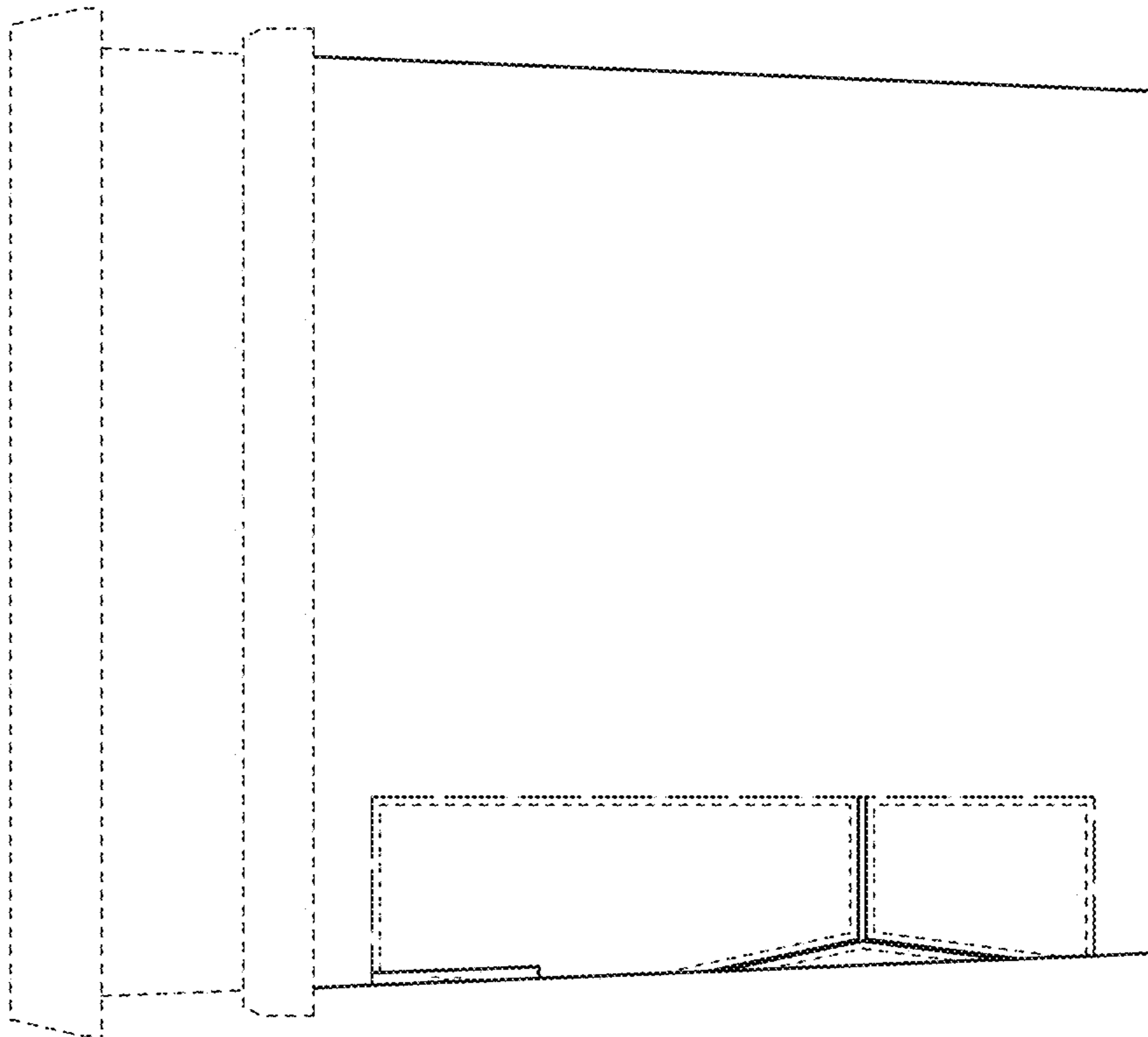


FIG. 11

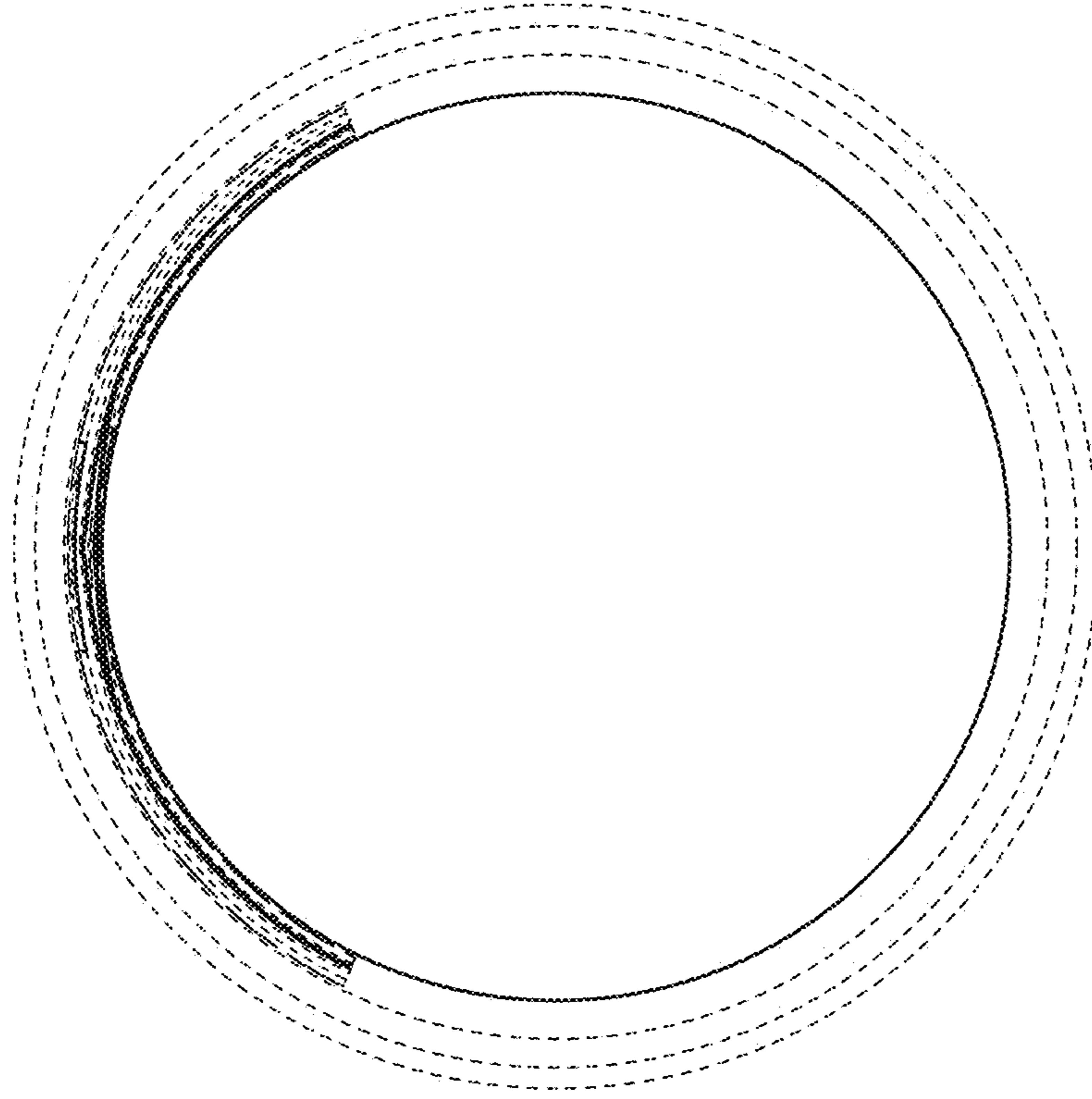


FIG. 14

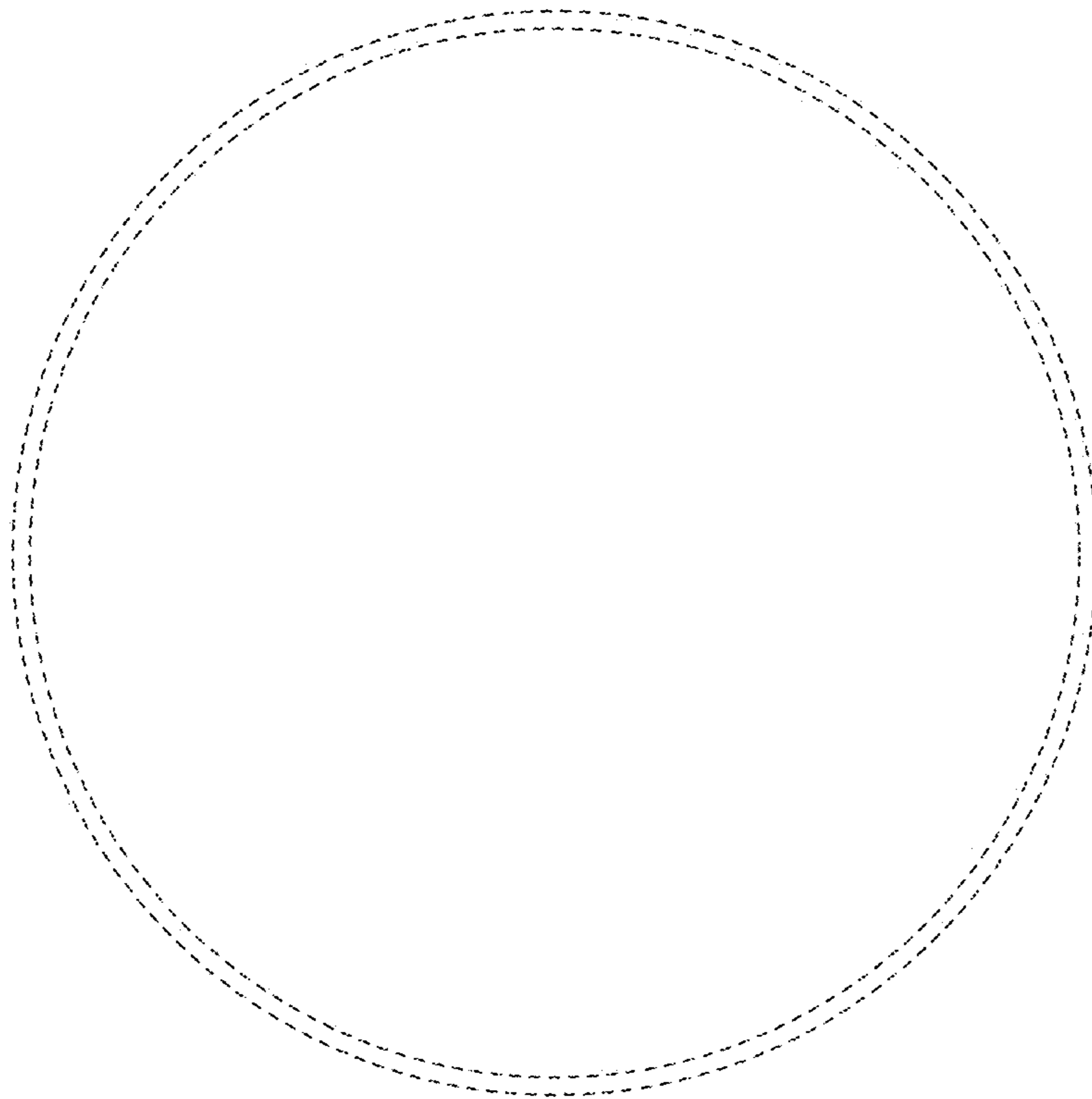


FIG. 13