

US00D962048S

(12) **United States Design Patent** (10) **Patent No.:** **US D962,048 S**
Lehmann et al. (45) **Date of Patent:** **** Aug. 30, 2022**

(54) **COUPLING DEVICE FOR MOUNTING
TILES TO A BUILDING**

invertersupply.com/index.php?main_page=product_info&products_id=195720 (Year: NA) (Year: NA).*

(Continued)

(71) Applicant: **Hunter Douglas Inc.**, Pearl River, NY (US)

Primary Examiner — Omeed Agilee

Assistant Examiner — Rozita Mozaffarian

(72) Inventors: **Christian Lehmann**, Marblehead, MA (US); **Xiang Li**, Shanghai (CN)

(74) *Attorney, Agent, or Firm* — KDB Firm PLLC

(73) Assignee: **Hunter Douglas Inc.**, Pearl River, NY (US)

(57) **CLAIM**

The ornamental design for a coupling device for mounting tiles to a building, as shown and described.

(**) Term: **15 Years**

DESCRIPTION

(21) Appl. No.: **29/689,454**

FIG. 1 is a front perspective view of a coupling device for mounting tiles to a building showing our new design;

(22) Filed: **Apr. 30, 2019**

FIG. 2 is a back perspective view of the coupling device for mounting tiles to a building of FIG. 1;

(51) **LOC (13) Cl.** **08-08**

FIG. 3 is a front elevational view of the coupling device for mounting tiles to a building of FIG. 1;

(52) **U.S. Cl.**
USPC **D8/398**

FIG. 4 is a rear elevational view of the coupling device for mounting tiles to a building of FIG. 1;

(58) **Field of Classification Search**
USPC D8/394, 395, 396, 349, 352, 382, 72;
D11/215, 214

FIG. 5 is a first side view of the coupling device for mounting tiles to a building of FIG. 1 (a second side view being substantially a mirror image of the first side view);

(Continued)

FIG. 6 is a top view of the coupling device for mounting tiles to a building of FIG. 1 (a bottom view being substantially similar to the top view);

(56) **References Cited**

U.S. PATENT DOCUMENTS

2,043,706 A 6/1936 Myers
3,672,112 A 6/1972 Sions

(Continued)

FIG. 7 is a front perspective view of a coupling device for mounting tiles to a building showing our new design and similar to that of FIGS. 1-6 with selected features illustrated in broken lines for illustrative purposes and thus not constituting a part of the claimed design;

FOREIGN PATENT DOCUMENTS

DE 102008024992 A1 11/2009
DE 202016106511 U1 12/2016

(Continued)

FIG. 8 is a back perspective view of the coupling device for mounting tiles to a building of FIG. 7;

FIG. 9 is a front elevational view of the coupling device for mounting tiles to a building of FIG. 7;

FIG. 10 is a rear elevational view of the coupling device for mounting tiles to a building of FIG. 7;

FIG. 11 is a first side view of the coupling device for mounting tiles to a building of FIG. 7 (a second side view being substantially a mirror image of the first side view);

and,

(Continued)

OTHER PUBLICATIONS

Quick Mount, Base Mount, for Use With Tile Replacement, Mill Finish, Qblock, QMTR-BM-A-12, google.com, [online], [site visited Dec. 16, 2021], Available from internet URL: https://www.invertersupply.com/index.php?main_page=product_info&products_id=195720

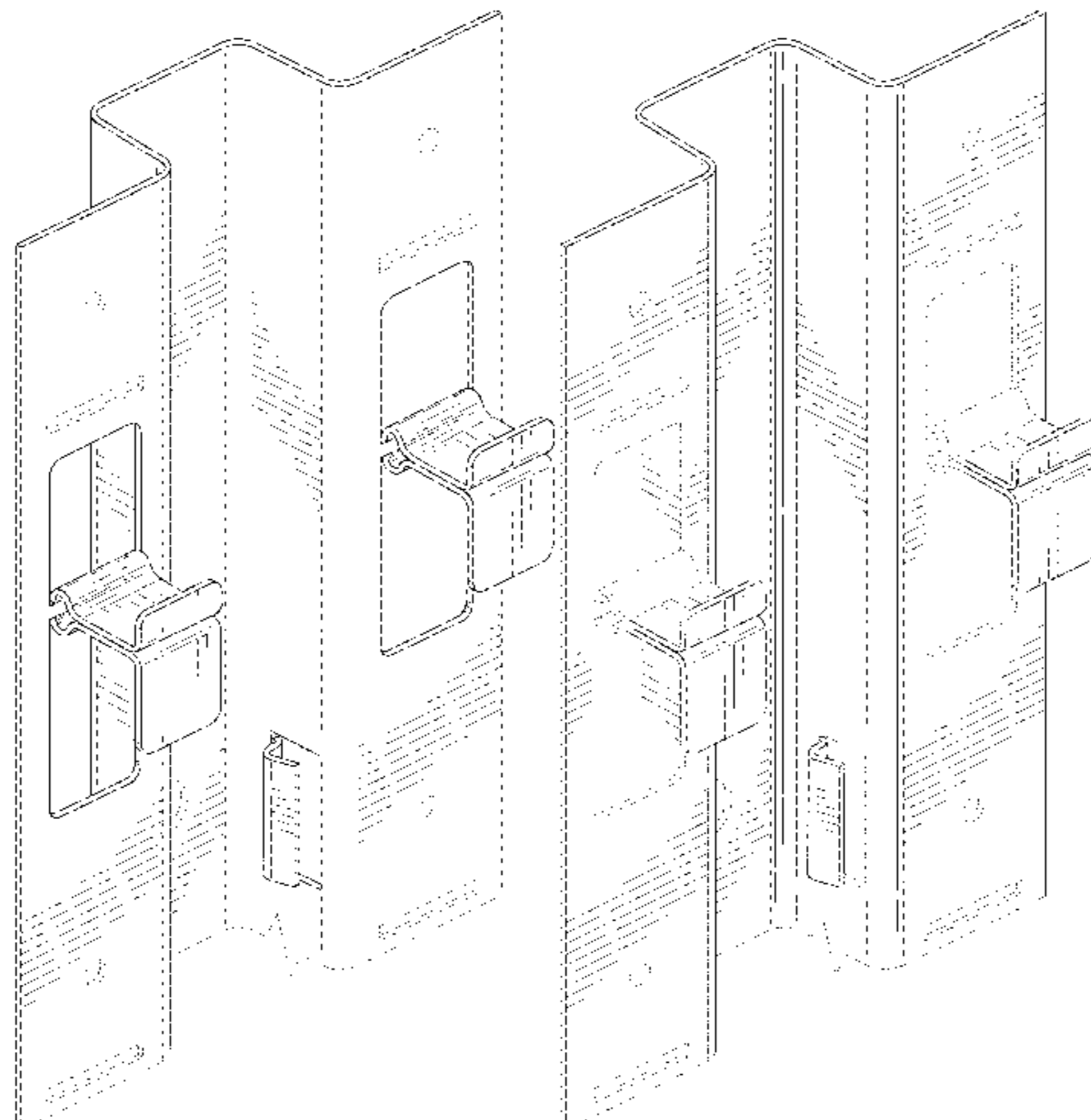


FIG. 12 is a top view of the coupling device for mounting tiles to a building of FIG. 7 (a bottom view being substantially similar to the top view).

All the broken lines except the lines on the very bottom of the article depict portions of the coupling device for mounting tiles to a building that form no part of the claimed design. The broken lines on the very bottom of the article depict symbolic break lines. The symbolic break line and anything appearance of the article beyond this line form no part of the claimed design.

1 Claim, 12 Drawing Sheets

(58) Field of Classification Search

CPC .. E04D 13/1637; E04F 13/0826; E04F 13/12; E04F 13/14; E04F 13/0814

See application file for complete search history.

(56) References Cited

U.S. PATENT DOCUMENTS

4,134,244	A	1/1979	Sjolander	
D252,576	S *	8/1979	Frey	D15/148
4,987,712	A	1/1991	Mancuso	
5,029,425	A	7/1991	Bogataj	
5,390,457	A *	2/1995	Sjolander	E04F 13/0803 52/387
5,860,257	A	1/1999	Gerhaher et al.	
6,055,787	A	5/2000	Gerhaher et al.	
6,138,423	A	10/2000	Poutanen et al.	
6,418,689	B1 *	7/2002	Hacquard	E04B 2/7457 52/238.1
6,655,099	B1	12/2003	Trenoweth	
6,725,618	B2	4/2004	Albracht	
7,043,884	B2	5/2006	Moreno	
D558,039	S *	12/2007	Skinner	D8/354
D558,040	S *	12/2007	Skinner	D8/354
D558,041	S *	12/2007	Skinner	D8/354
7,644,549	B2	1/2010	Speck	
7,827,746	B2	11/2010	Speck	
8,096,091	B2	1/2012	Cristina	
8,146,303	B2	4/2012	Gibson et al.	
8,234,983	B2	8/2012	Randolph	
8,381,475	B2	2/2013	Carbines	
8,567,140	B2 *	10/2013	Wagner	E04F 13/0821 52/235
8,763,336	B2	7/2014	Gulbrandsen et al.	
8,769,901	B2	7/2014	Todd et al.	
8,991,127	B2	3/2015	Todd et al.	
9,016,020	B1	4/2015	Yang	
D729,053	S *	5/2015	Underkofler	D8/394
9,085,908	B2	7/2015	Deschenes	
9,091,078	B2	7/2015	Deschenes	
9,109,368	B2	8/2015	MacKenzie	
9,297,166	B2	3/2016	Carbines	
9,410,566	B2	8/2016	Kikuchi et al.	
9,551,510	B2	1/2017	Hartelius et al.	
10,190,321	B2 *	1/2019	Li	E04F 13/12 D886,572 S * 6/2020 Axelsson
D886,572	S *	6/2020	Axelsson	D8/382
10,745,917	B2 *	8/2020	Ndobo-Epoy	E04D 13/1637 D897,818 S * 10/2020 Tien
D897,818	S *	10/2020	Tien	D8/331
2004/0010998	A1 *	1/2004	Turco	E04F 13/0889 52/762
2006/0213142	A1	9/2006	Albracht	
2007/0056238	A1	3/2007	Albracht	

2009/0241459	A1	10/2009	Bryan	
2010/0192495	A1 *	8/2010	Huff	E04F 13/0846 52/302.1
2012/0272604	A1	11/2012	Carbines	
2015/0240490	A1	8/2015	Firinga	
2017/0107724	A1 *	4/2017	Li	E04F 13/0826
2018/0320384	A1	11/2018	Pinnegar	

FOREIGN PATENT DOCUMENTS

DE	102017108590	A1	10/2018	
EM	007081773-0002	*	12/2019	
EP	1647649	A2	4/2006	
EP	2354367	A2	8/2011	
JP	2004044156	A	2/2004	
KR	301116821.0000	*	7/2021	
WO	9410404	A1	5/1994	

OTHER PUBLICATIONS

Coupling system for mounting tiles to a building, first available Jan. 26, 2021, Google.com, [online], [site visited Dec. 16, 2021], Available from internet URL: <https://patents.google.com/patent/US10900238B2/en> (Year: 2021).*

Author Unknown, "Terracotta", Eco Cladding Engineering, retrieved Dec. 19, 2018, URL: <https://www.ecocladding.com/system/terracotta>.

Author Unknown., "Rainscreen Support System" NBK—Architectural Terracotta, retrieved Dec. 19, 2019. URL: <https://nbkterracotta.com/en-us/products-services/substructure/terracotta-substructure/>.

Author Unknown, "Terreal-Terracotta Façade System" HVG Facades, retrieved Dec. 19, 2019. URL: <https://hvgfacades.com.au/product/terreal/#tech-installation>.

Author Unknown, "Tile Cladding"—231BEG1/Cladding system, published Oct. 10, 2012. URL: <http://231beg1.blogspot.com/2012/10/tile-cladding.html#!2012/10/tile-cladding.html>.

Author Unknown, "Alternative Substructure" NBK—Architectural Terracotta—retrieved Dec. 19, 2018. URL: <https://nbkterracotta.com/products-services/substructure/alternative-substructure/>.

Author Unknown, "Argeton Terracotta cladding"—Taylor Maxwell—retrieved Dec. 19, 2018. URL: <https://www.taylormaxwell.co.uk/facade-systems/terracotta-cladding>.

Author Unknown, "Panel Installation Guide"—Nea Cera—retrieved Oct. 19, 2016.

Author Unknown, "Terrart—Terracotta Façades"—NBK—Architectural Terracotta—Dec. 8, 2015.

Author Unknown, "NeXclad 14™ Shingle"—Terreal—North America—retrieved Dec. 19, 2018. URL: <http://www.terreal.us/products/nexclad/nexclad-shingle/#overview>.

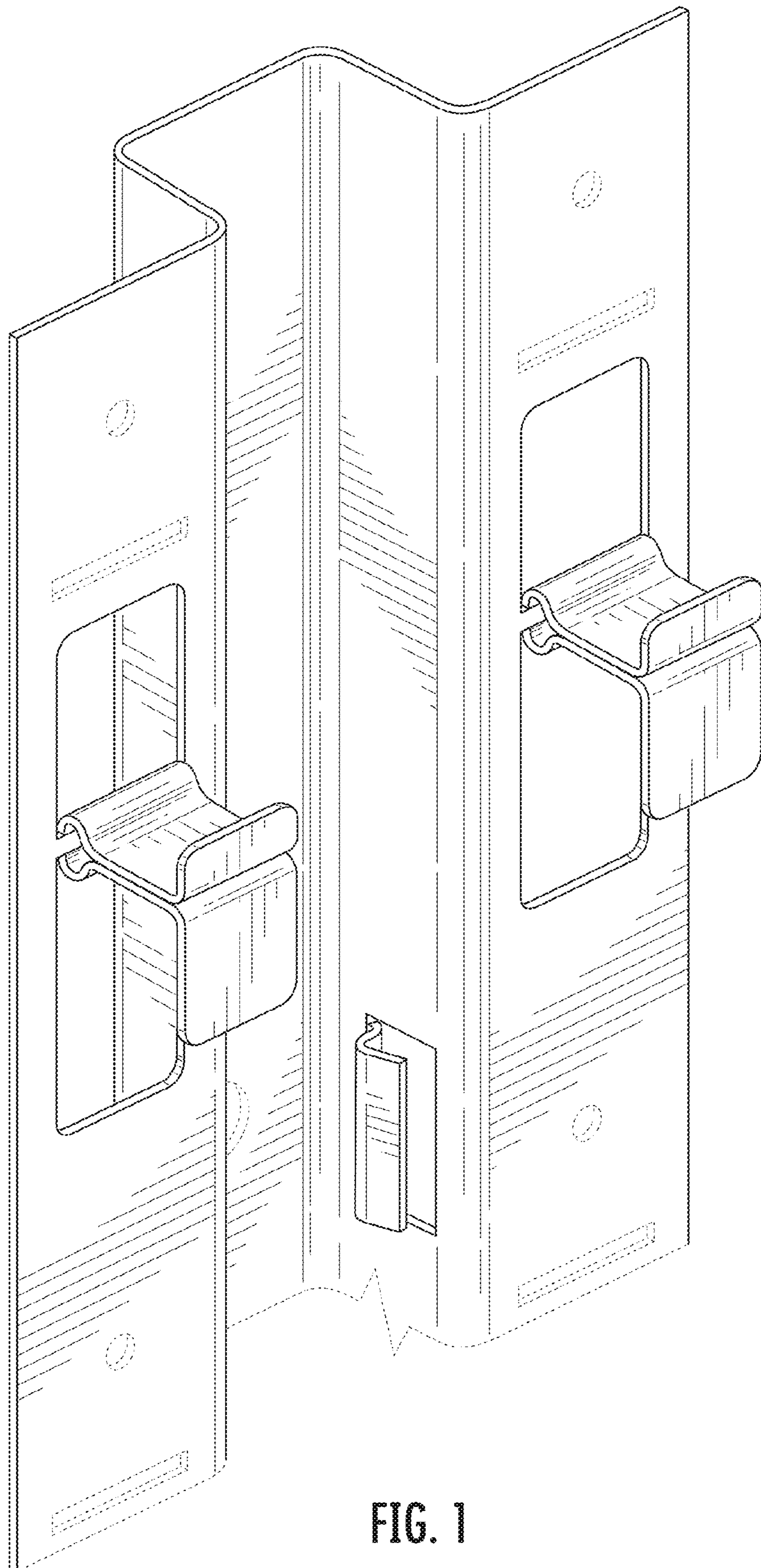
Author Unknown, "Precision Metal Stamping" Roller Die + Forming—retrieved Dec. 20, 2018. URL: <https://www.rollerdie.com/stamping/>.

Author Unknown, "Aluminum Terracotta Fixing System Tile Clips" LOPO Terracotta Products Corporation Limited, Dec. 19, 2018. URL: https://www.terracottapanel.com/aluminum-terracotta-fixing-system-tile-clips_p242.html.

Author Unknown, "Support System for Architectural Terracotta (Ceramic) Facades Tiles" NBK USA—retrieved Dec. 13, 2018.

Author Unknown, NBM® Terrart Solid Precast System NBK Terrart™—2015 Hunter Douglas.

* cited by examiner



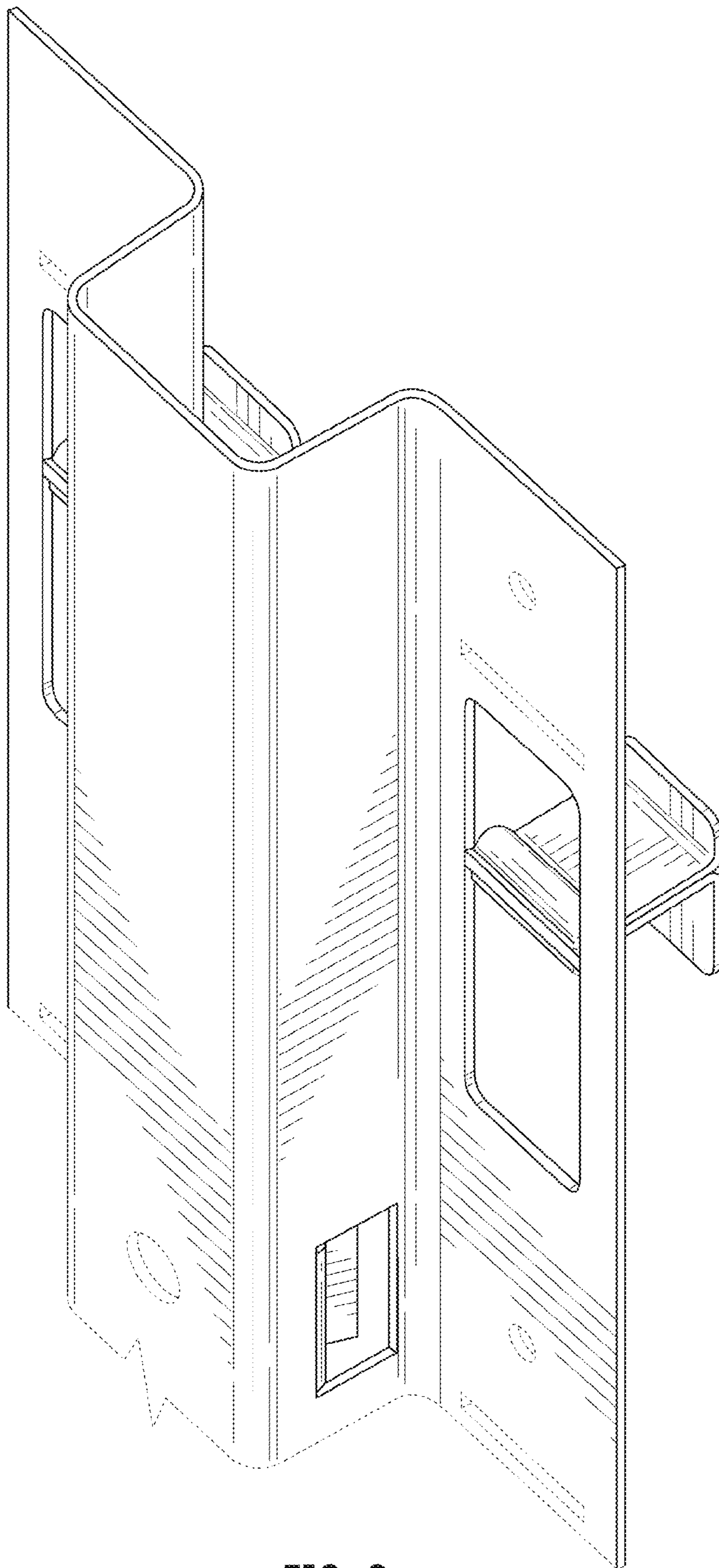


FIG. 2

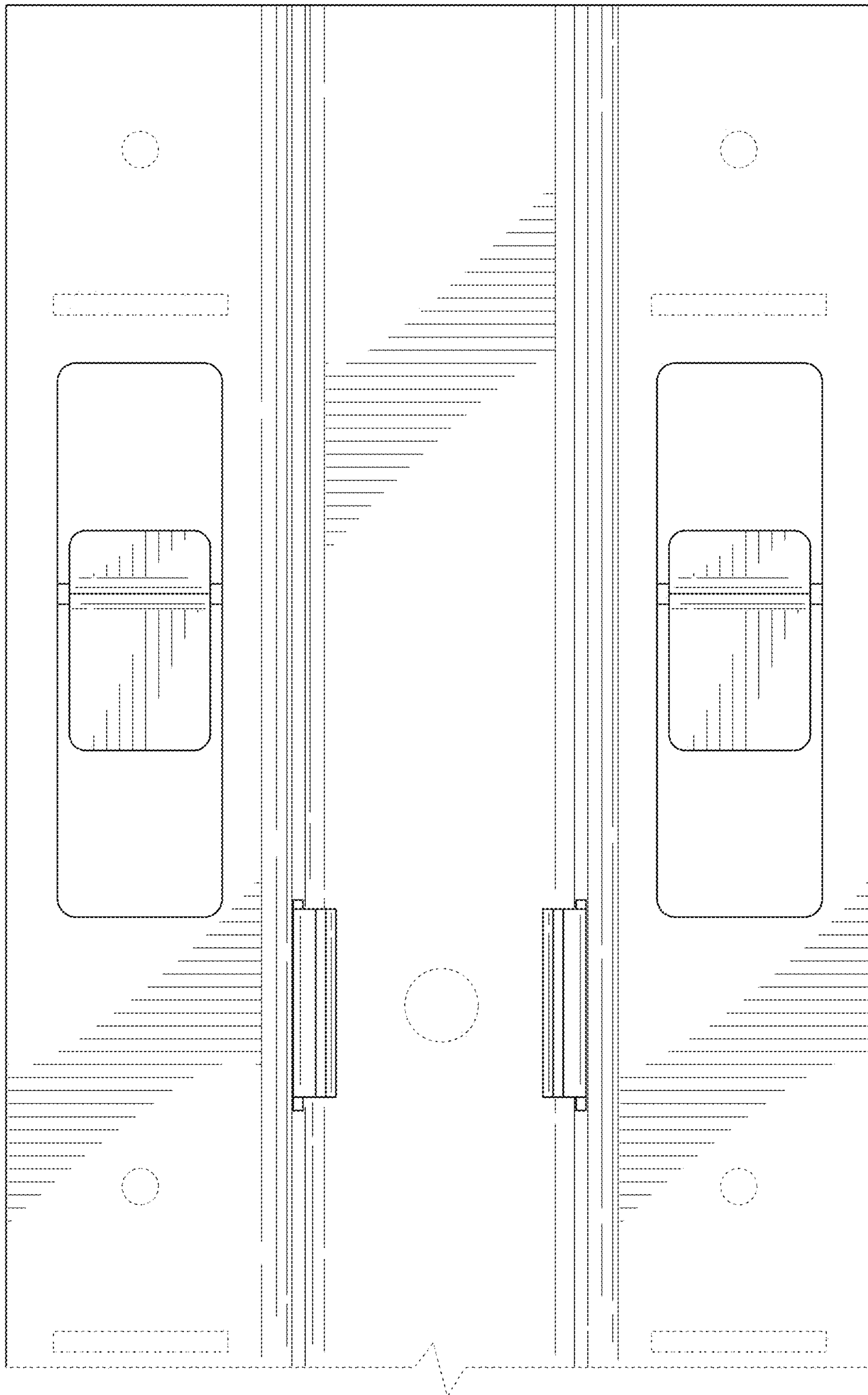


FIG. 3

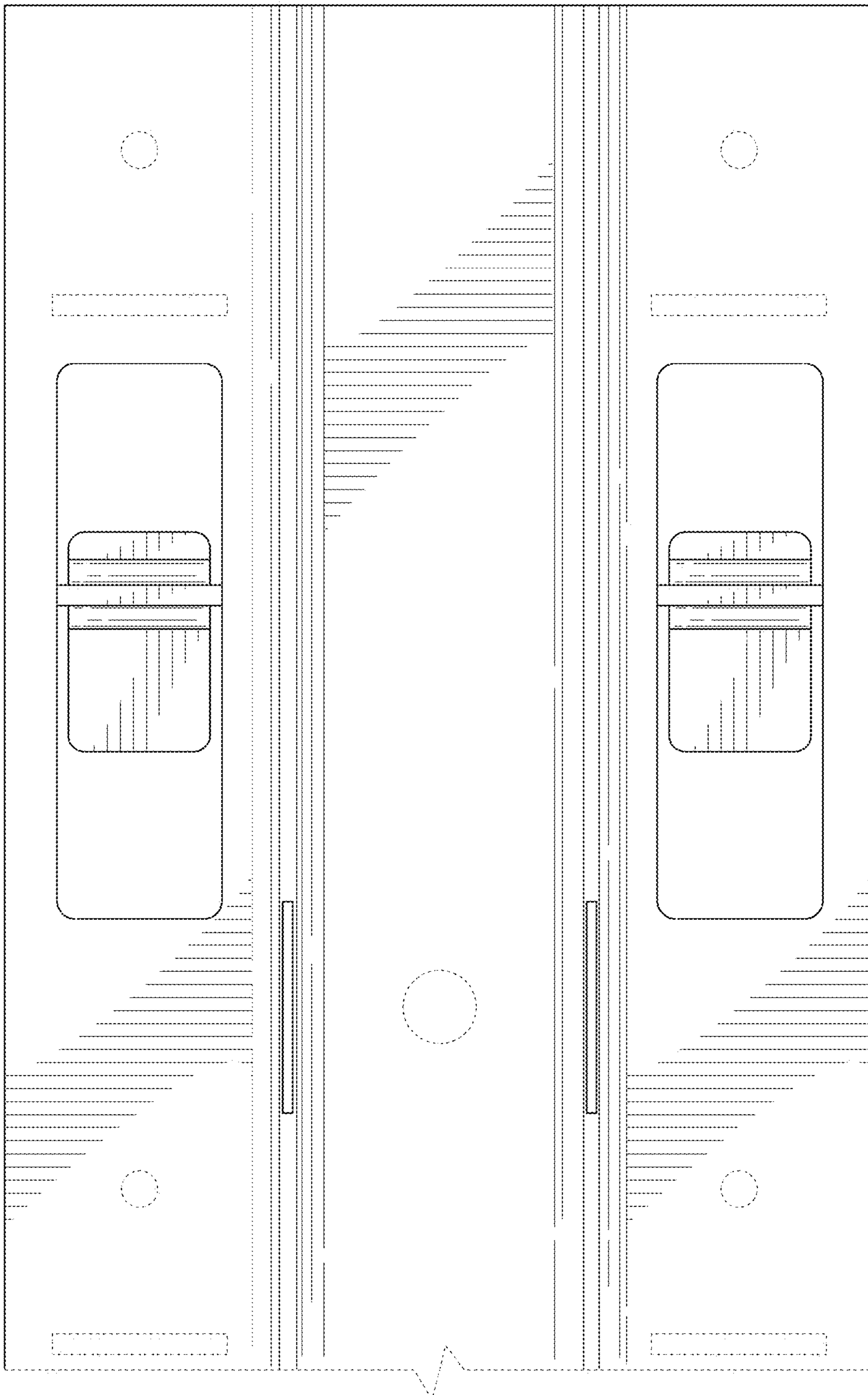


FIG. 4

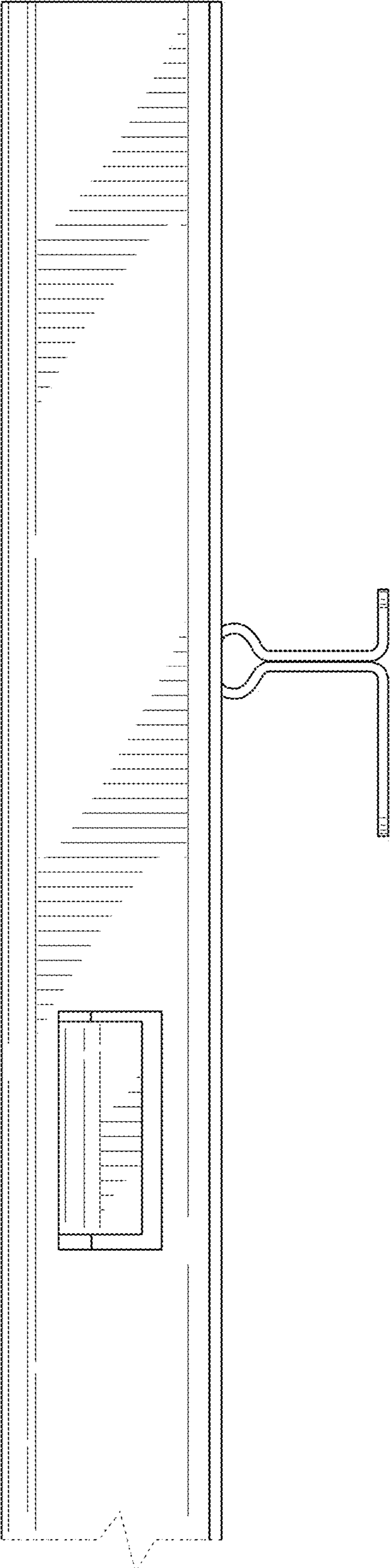


FIG. 5

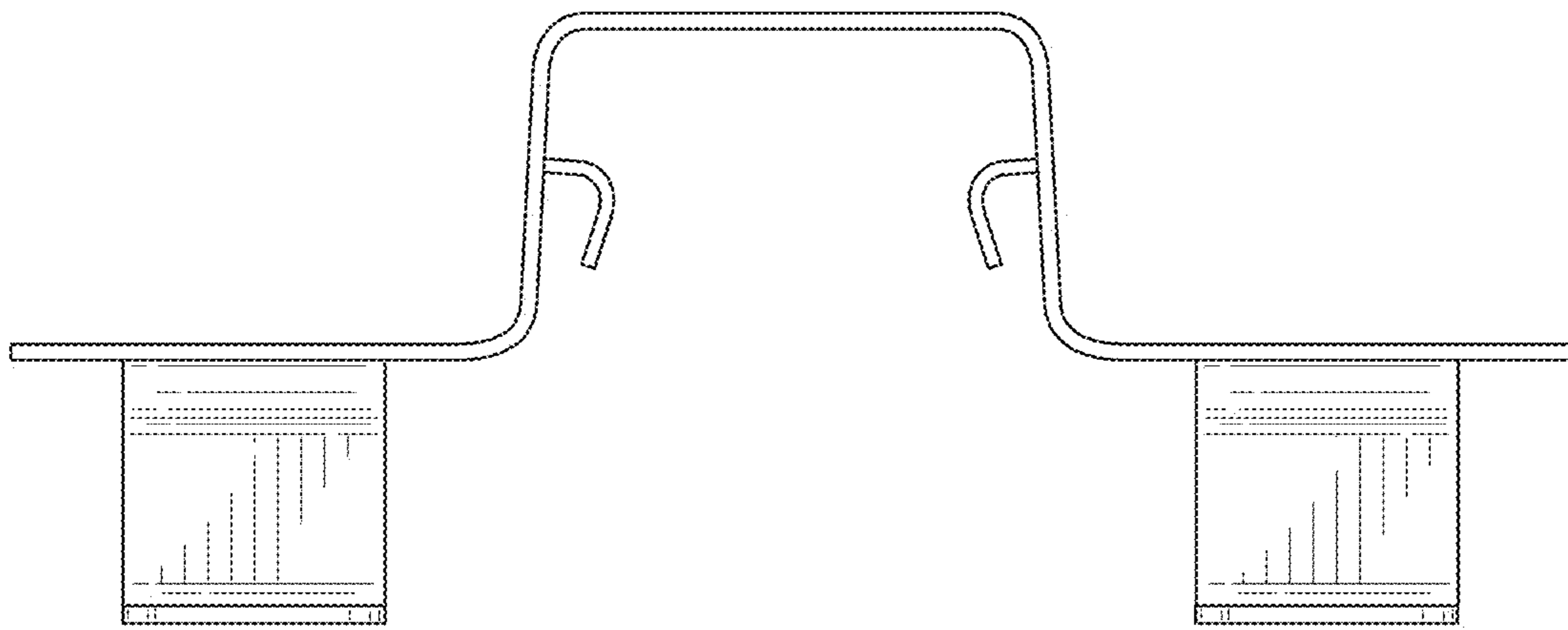


FIG. 6

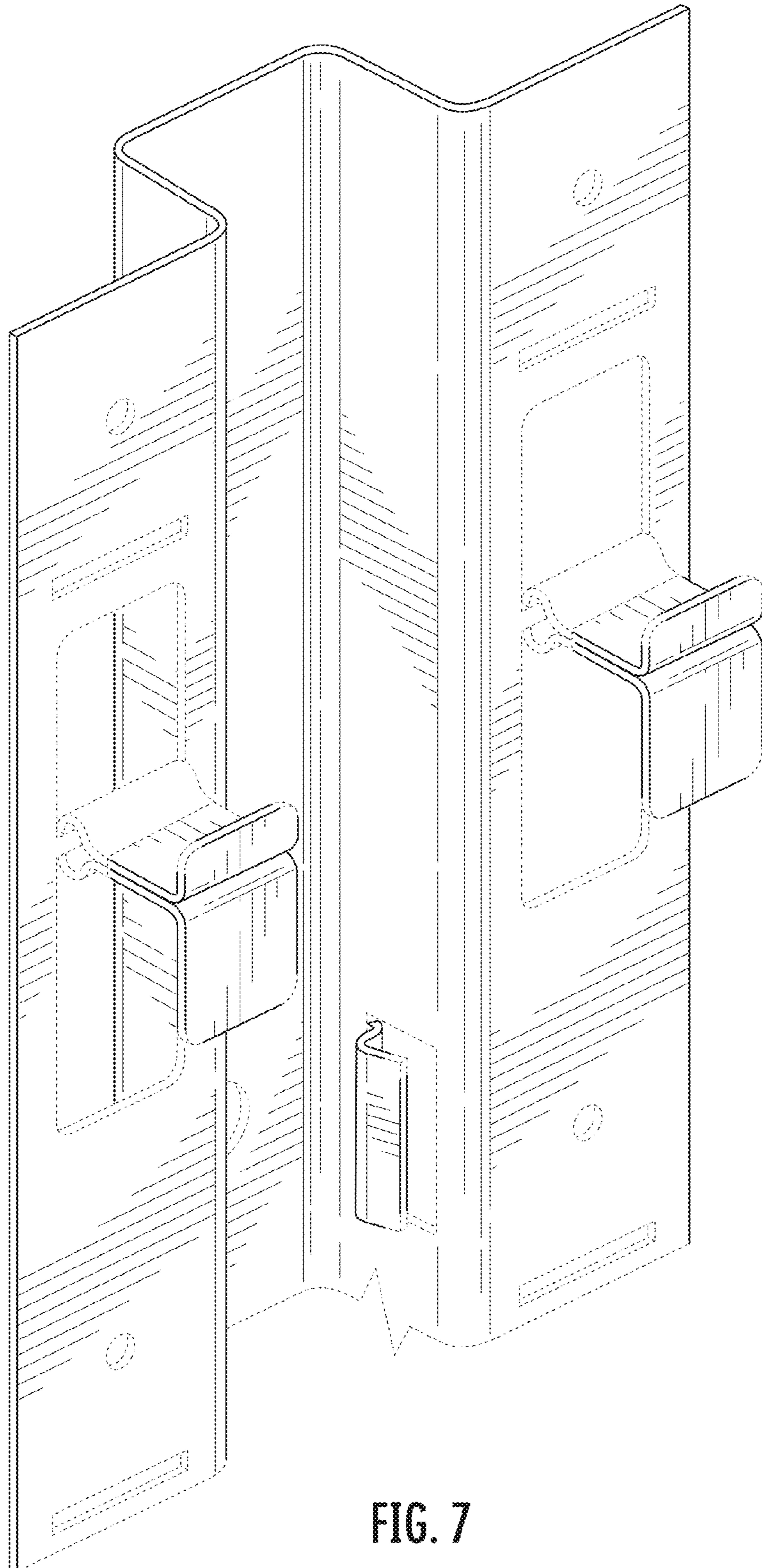


FIG. 7

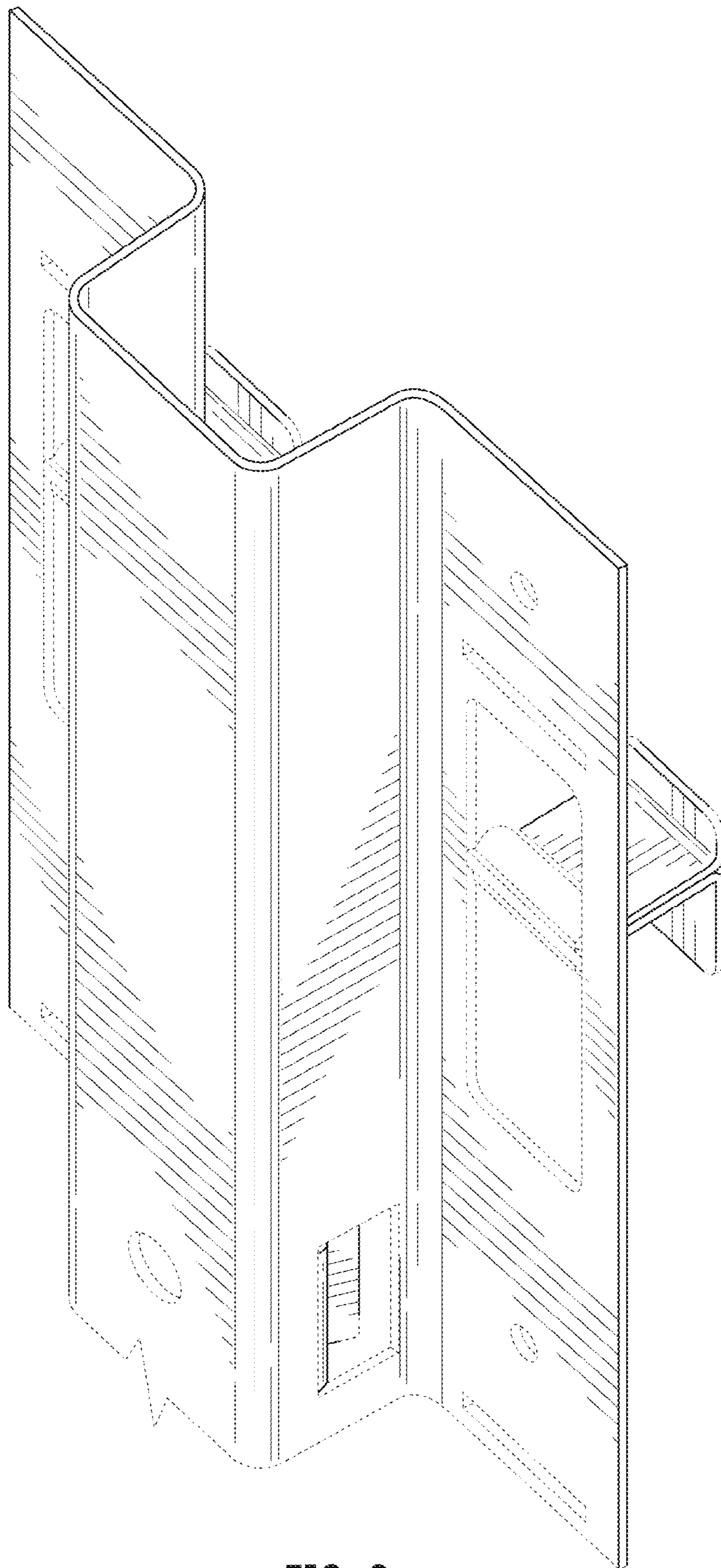


FIG. 8

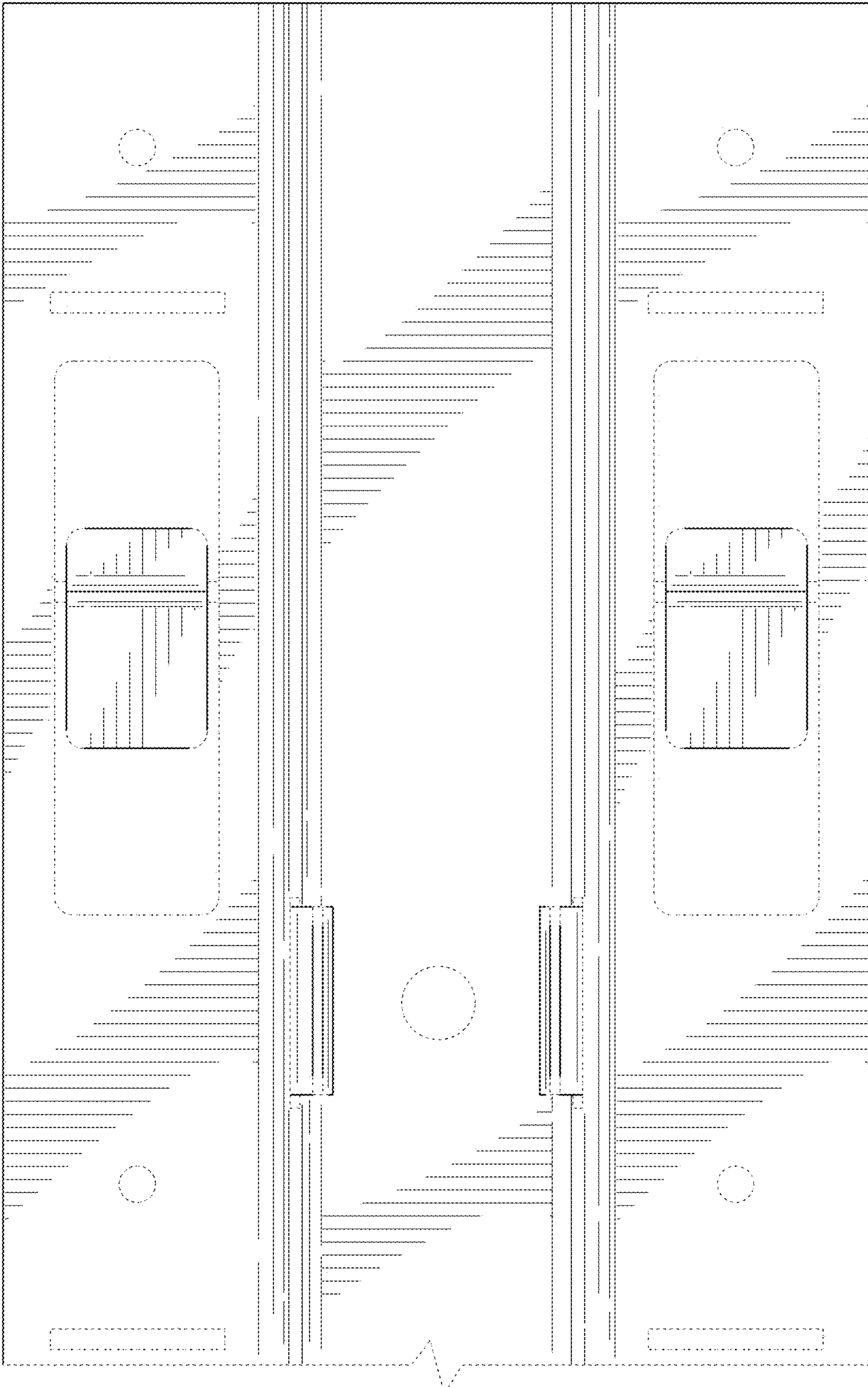


FIG. 9

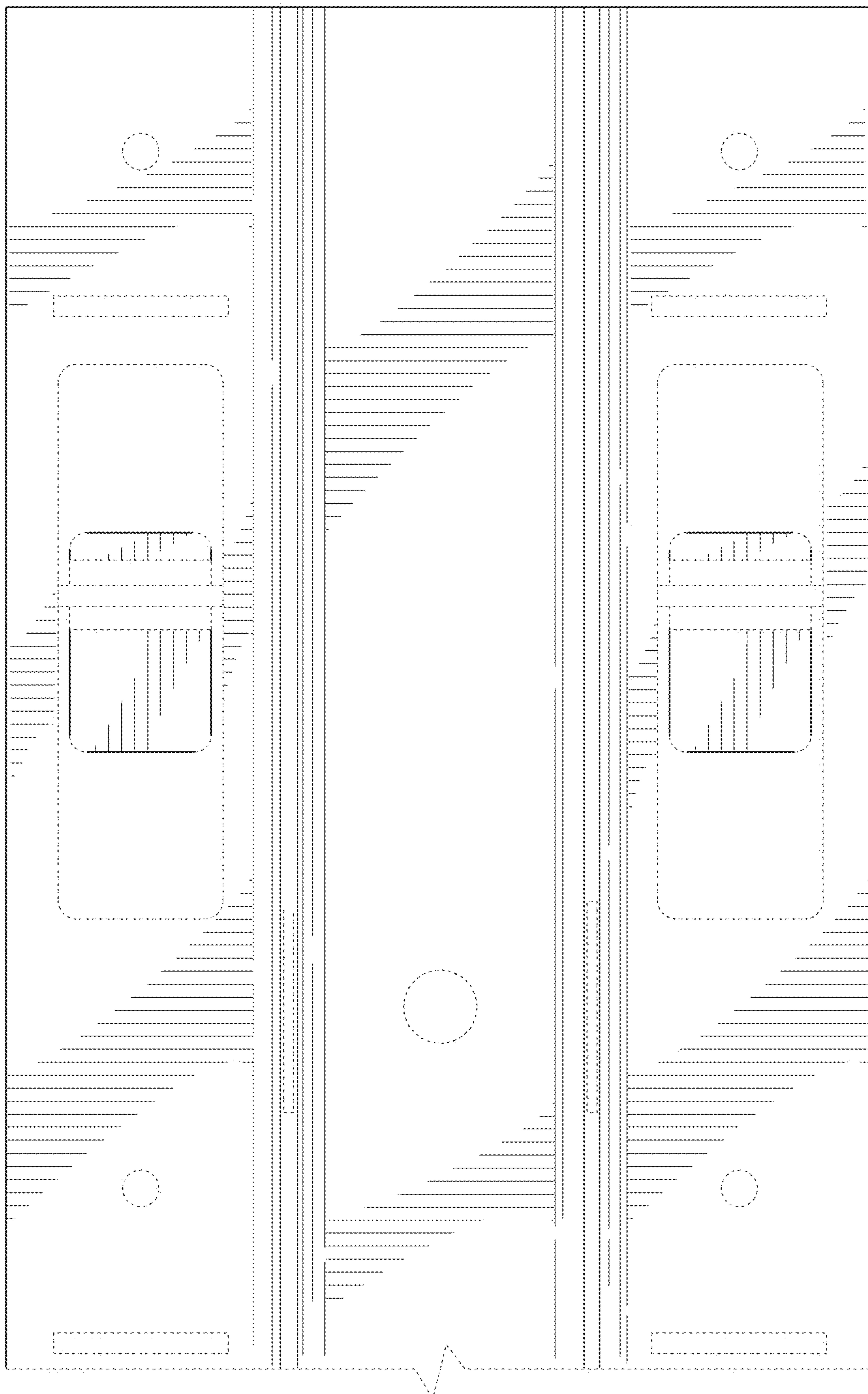


FIG. 10

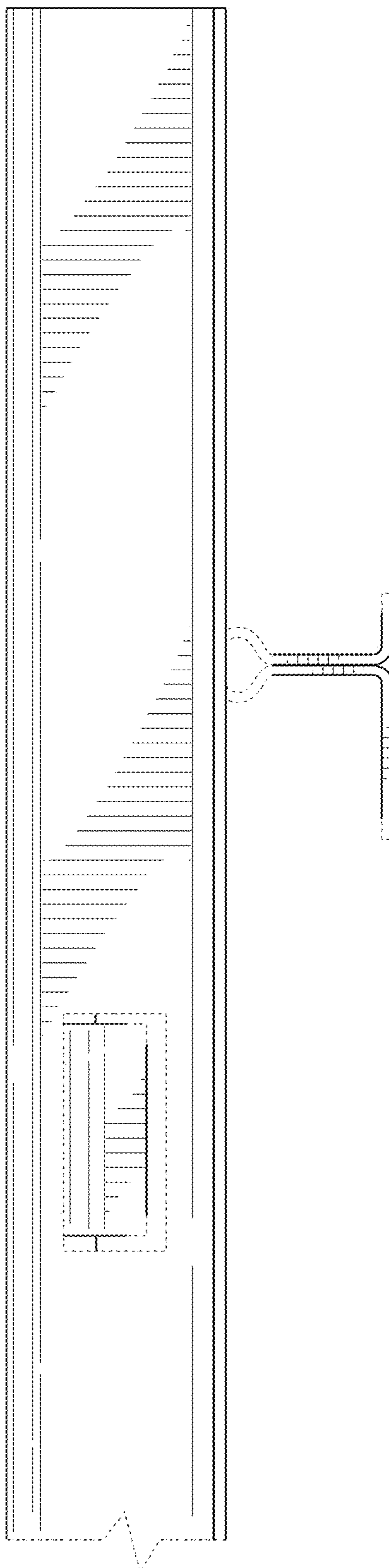


FIG. 11

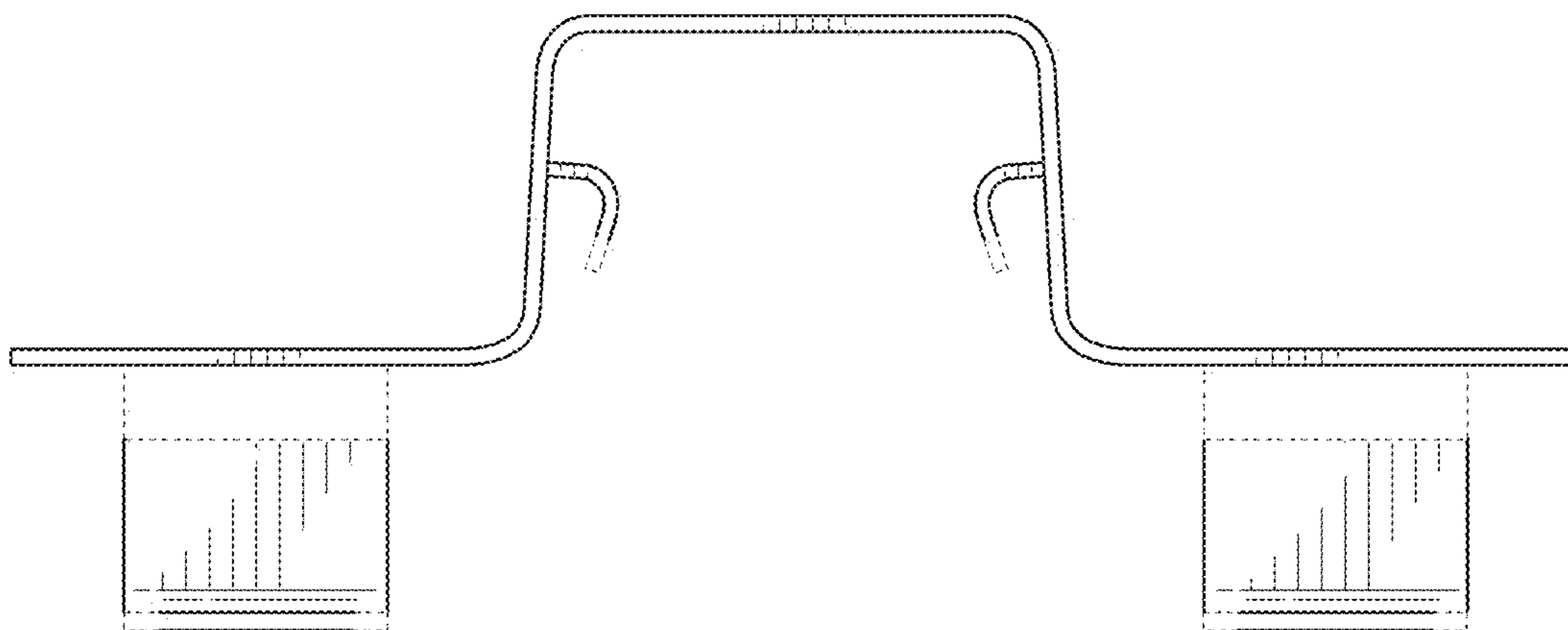


FIG. 12