



US00D962047S

(12) **United States Design Patent** (10) **Patent No.:** **US D962,047 S**
Muther (45) **Date of Patent:** **** Aug. 30, 2022**

(54) **MOUNTING EXTRUSION**
(71) Applicant: **Aerocompact GmbH**, Satteins (AT)
(72) Inventor: **Mathias Muther**, Röns (AT)
(73) Assignee: **AEROCOMPACT HOLDING GMBH**, Satteins (AT)
(**) Term: **15 Years**
(21) Appl. No.: **35/511,000**
(22) Filed: **Dec. 10, 2020**
(80) **Hague Agreement Data**
Int. Filing Date: **Dec. 10, 2020**
Int. Reg. No.: **DM/211755**
Int. Reg. Date: **Dec. 10, 2020**
Int. Reg. Pub. Date: **Dec. 25, 2020**
(51) **LOC (13) Cl.** **08-08**
(52) **U.S. Cl.**
USPC **D8/395**
(58) **Field of Classification Search**
USPC D8/832, 394, 395, 349, 388, 389, 382;
D25/119
CPC Y02E 10/47; H02S 20/23
See application file for complete search history.

D589,337 S * 3/2009 Karlsson D8/394
8,220,762 B2 * 7/2012 Stigler F16B 21/086
24/297
D671,391 S * 11/2012 Komeno D8/356
D679,177 S * 4/2013 Craig D8/395
D685,626 S * 7/2013 Komeno D8/356
D763,066 S * 8/2016 Sugimoto D8/382
D818,811 S * 5/2018 Hattori D8/397
D859,972 S * 9/2019 Pulsipher D8/395
10,749,459 B1 * 8/2020 Liu F16B 5/0685
10,797,634 B1 * 10/2020 Jasmin H02S 30/00
D920,088 S * 5/2021 Lovell D8/395
D923,203 S * 6/2021 Muther D25/119
D923,823 S * 6/2021 Muther D25/124
2008/0196222 A1 * 8/2008 Park F16B 5/0614
403/291
2012/0272487 A1 * 11/2012 Cooley F16B 19/1081
24/289
2019/0013772 A1 * 1/2019 Bamat F24S 25/636
2022/0060143 A1 * 2/2022 Neal F16B 5/0685

* cited by examiner

Primary Examiner — Deanna L Pratt
(74) *Attorney, Agent, or Firm* — Dickinson Wright PLLC;
Andrew D. Dorisio

(57) **CLAIM**

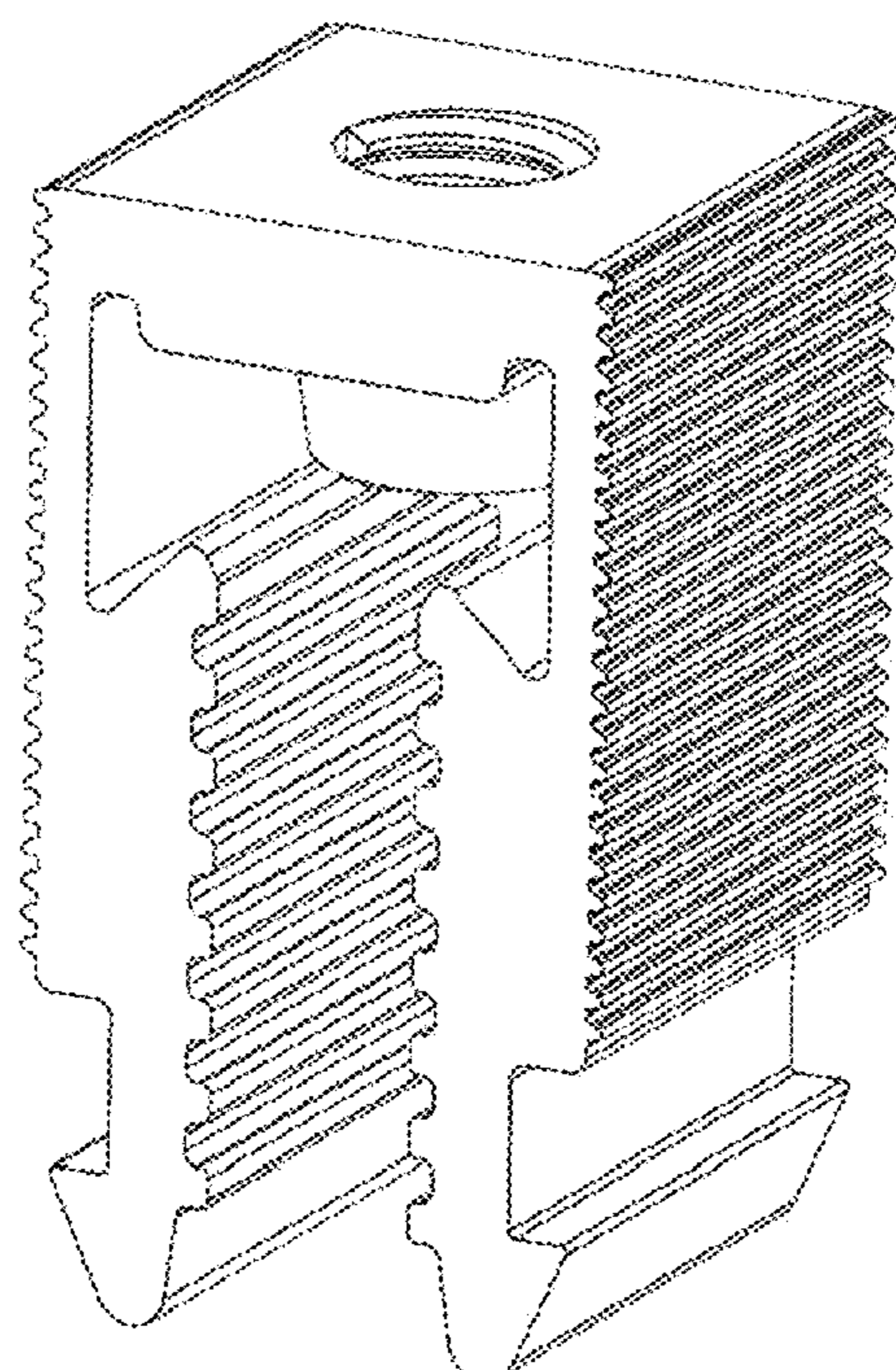
The ornamental design for a mounting extrusion, as shown and described.

DESCRIPTION

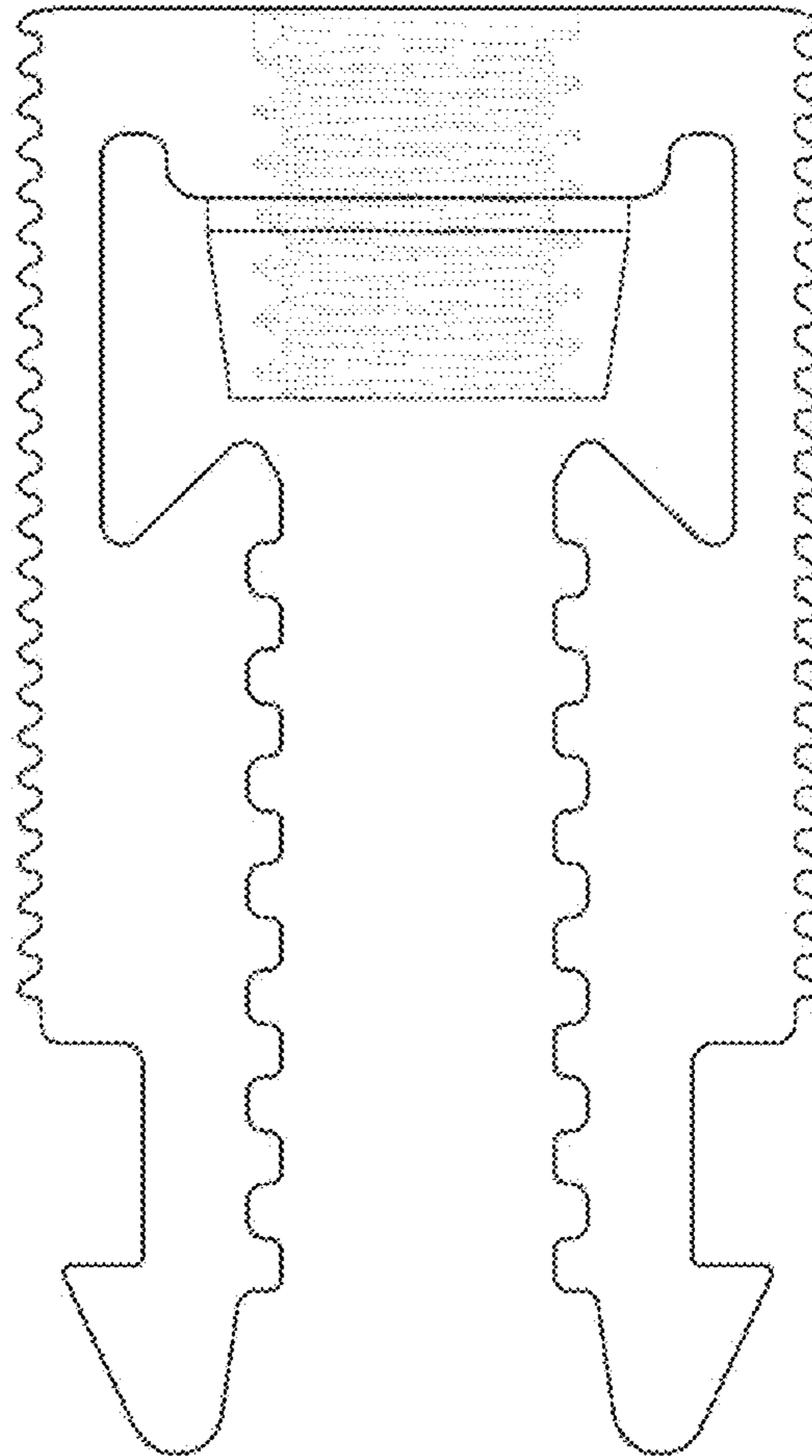
- 2. Mounting extrusion
- 2.1—Side
- 2.2—Top
- 2.3—Side
- 2.4—Perspective

1 Claim, 4 Drawing Sheets

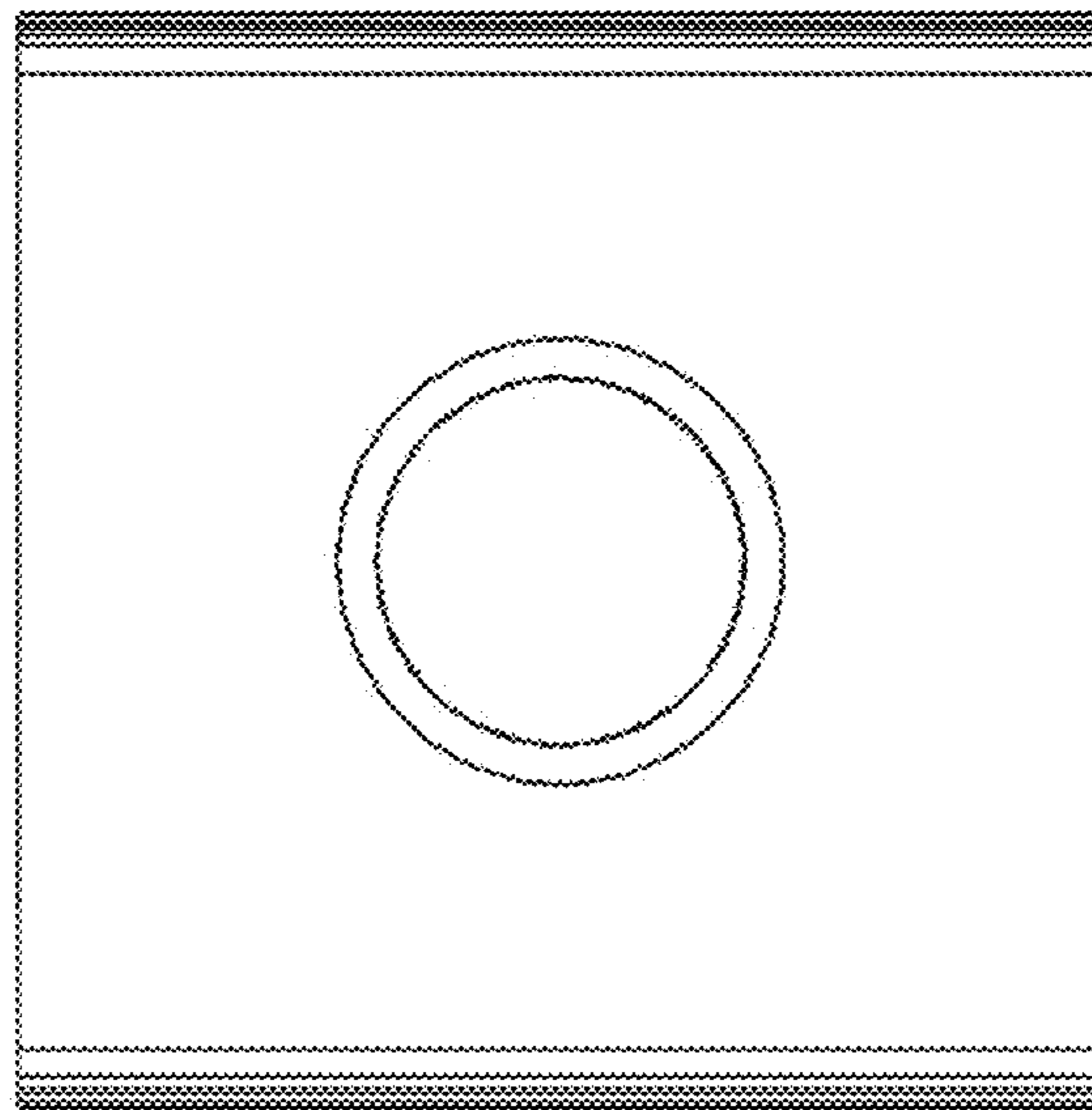
(56) **References Cited**
U.S. PATENT DOCUMENTS
D205,375 S * 7/1966 Marotz D8/389
D260,235 S * 8/1981 Anderson D8/394
D375,449 S * 11/1996 Dahlberg D8/349
D584,943 S * 1/2009 Kerr D8/394



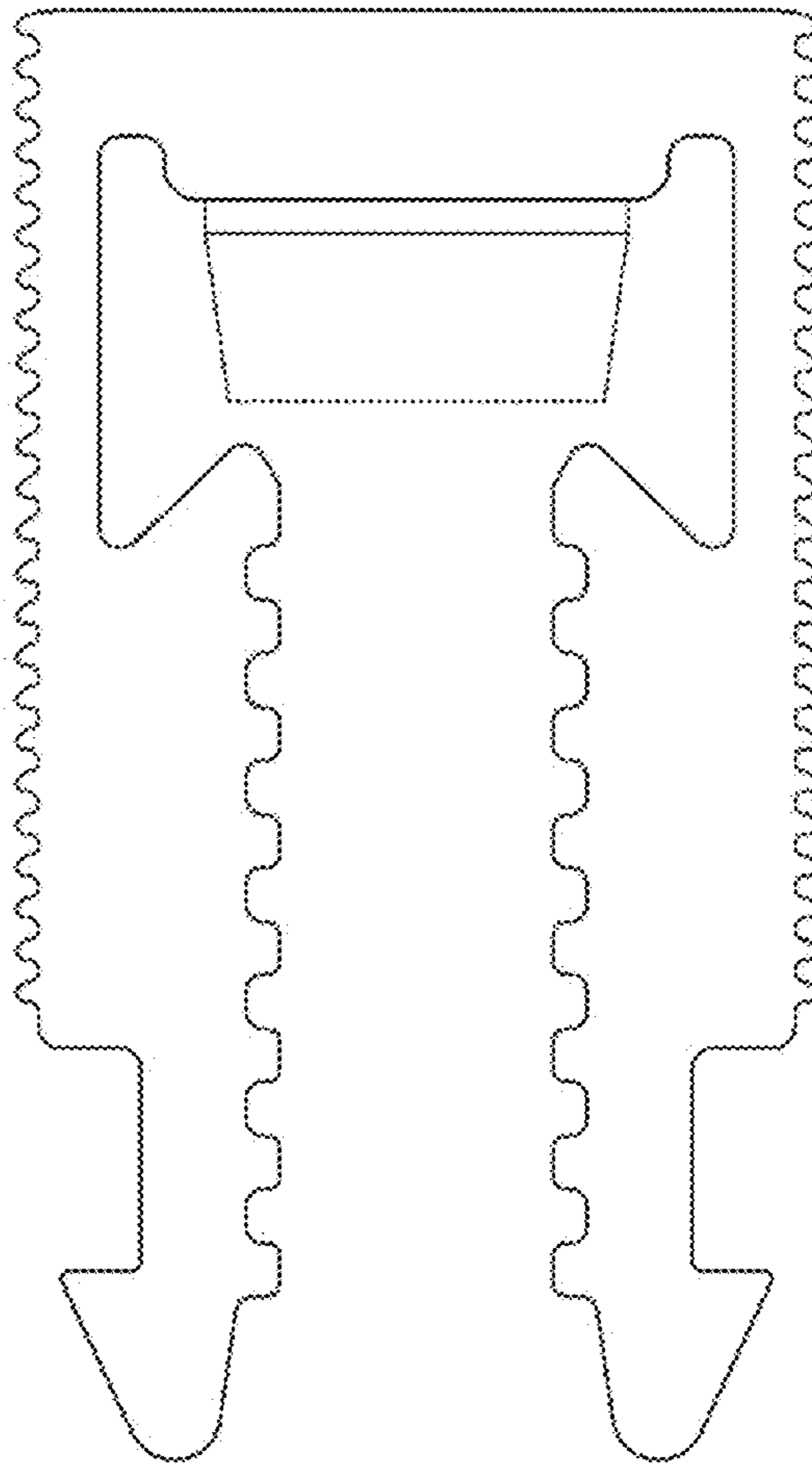
2.1



2.2



2.3



2.4

