



US00D962046S

(12) **United States Design Patent**
Nguyen et al.

(10) **Patent No.:** **US D962,046 S**
(45) **Date of Patent:** **** Aug. 30, 2022**

(54) **FASTENER WITH ANTI-ROTATION DEVICE**

FOREIGN PATENT DOCUMENTS

(71) Applicant: **Halliburton Energy Services, Inc.**,
Houston, TX (US)

EP 0160351 A1 11/1985
EP 0206867 A1 7/1990
WO 2012074834 A2 7/2012

(72) Inventors: **Minh Dang Nguyen**, Cypress, TX
(US); **Ricardo Ortiz**, Houston, TX
(US)

OTHER PUBLICATIONS

PCT Application No. PCT/US2020/046765; PCT Search Report:
dated May 3, 2021, 3 pages.

(73) Assignee: **Halliburton Energy Services, Inc.**,
Houston, TX (US)

(Continued)

(**) Term: **15 Years**

Primary Examiner — Sheryl Lane

Assistant Examiner — Ieisha N Price

(21) Appl. No.: **29/746,885**

(74) *Attorney, Agent, or Firm* — Delizio, Peacock, Lewin
& Guerra

(22) Filed: **Aug. 18, 2020**

(57) **CLAIM**

We claim the ornamental design for a fastener with anti-rotation device, as shown and described.

(51) **LOC (13) Cl.** **08-08**

(52) **U.S. Cl.**
USPC **D8/387**

DESCRIPTION

(58) **Field of Classification Search**
USPC D8/349, 382, 384, 385, 388, 392, 393,
D8/387, 391

FIG. 1 is an isometric view of a fastener with anti-rotation device.

FIG. 2 is a front view of the fastener with anti-rotation device of FIG. 1.

CPC F16B 23/0007; F16B 23/0015; F16B
23/0023; F16B 23/003; F16B 23/0038;
F16B 23/0046; F16B 23/0053; F16B
23/0061; F16B 23/0069; F16B 23/0076;
F16B 23/0084; F16B 23/0092; F16B
25/0036; F16B 25/0042; F16B 25/0047;
F16B 25/0052; F16B 25/0057; F16B

FIG. 3 is a rear view of the fastener with anti-rotation device of FIG. 1.

FIG. 4 is a left view of the fastener with anti-rotation device of FIG. 1.

FIG. 5 is a right view of the fastener with anti-rotation device of FIG. 1.

FIG. 6 is an enlarged top view of the fastener with anti-rotation device of FIG. 1.

FIG. 7 is an enlarged bottom view of the fastener with anti-rotation device of FIG. 1; and,

FIG. 8 is an exploded isometric view of the fastener with anti-rotation device of FIG. 1.

The broken lines in the drawings illustrate portions of the fastener with anti-rotation device and form no part of the claimed design.

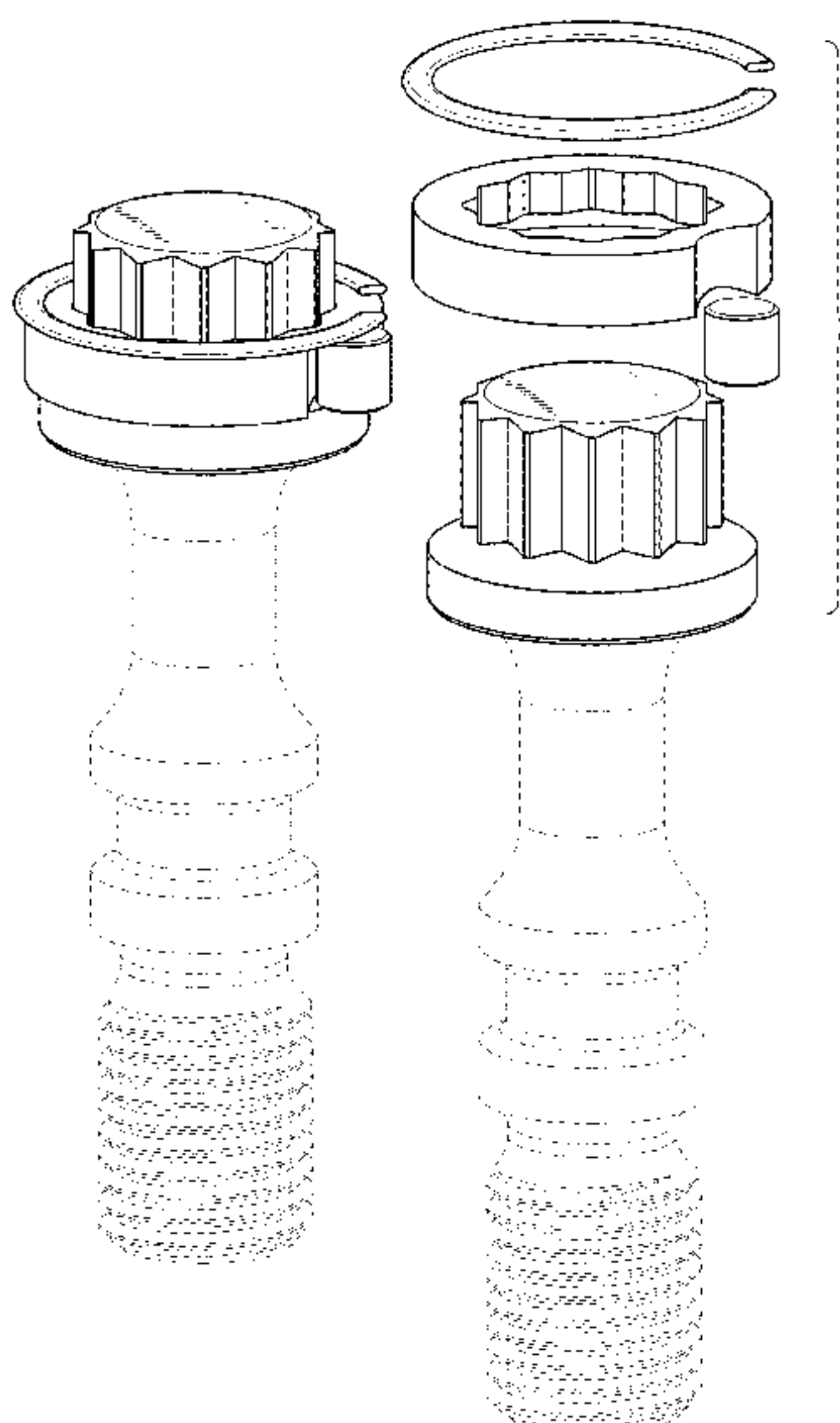
(56) **References Cited**

U.S. PATENT DOCUMENTS

2,060,593 A * 11/1936 Schaurte F16B 31/06
470/11
2,341,469 A * 2/1944 Newall B21K 1/56
470/17

(Continued)

1 Claim, 8 Drawing Sheets



(58) **Field of Classification Search**

CPC 25/0063; F16B 25/0068; F16B 25/0073;
 F16B 25/0078; F16B 25/0084; F16B
 33/02; F16B 2033/025; F16B 2033/04;
 F16B 33/06; F16B 35/041; F16B 35/042;
 F16B 35/044; F16B 35/048; F16B 35/06;
 F16B 37/047; F16B 37/14; F16B 37/145

See application file for complete search history.

D847,595	S *	5/2019	Hampton	D8/14
D887,259	S *	6/2020	Schwarzmann	D8/387
D887,825	S *	6/2020	Schwarzmann	D8/387
D903,476	S *	12/2020	Schwarzmann	D8/382
D915,876	S *	4/2021	Schwarzmann	D8/387
2002/0197130	A1 *	12/2002	Ozawa	B62D 27/06 411/353
2004/0265090	A1 *	12/2004	Stone	F16B 35/041 411/338
2005/0089385	A1	4/2005	Lin		
2005/0207869	A1 *	9/2005	Haas	F16B 5/0275 411/412
2009/0104001	A1 *	4/2009	Kochheiser	F16B 25/10 411/383
2009/0110478	A1 *	4/2009	Schneider	F16B 35/041 403/388
2011/0204216	A1	8/2011	Moake et al.		
2012/0034046	A1 *	2/2012	Cooper	F16B 35/041 411/361
2014/0321943	A1 *	10/2014	Mair	F16B 25/103 411/371.1
2015/0192167	A1	7/2015	Harris et al.		
2016/0320521	A1	11/2016	Mauborgne et al.		
2017/0363129	A1 *	12/2017	Bada	B25B 13/065
2018/0087555	A1 *	3/2018	Owens	F16B 5/0275
2019/0203326	A1 *	7/2019	Wingen	C22C 21/14
2019/0338802	A1 *	11/2019	Poster	F16B 35/041

(56) **References Cited**

U.S. PATENT DOCUMENTS

4,050,494	A	9/1977	De Claire		
4,258,607	A *	3/1981	McKewan	F16B 25/0021 411/2
4,338,054	A *	7/1982	Dahl	F16B 35/041 29/407.02
4,436,443	A *	3/1984	McCormick	F16B 5/02 403/14
4,637,764	A *	1/1987	Imai	B25B 21/001 411/386
4,877,364	A *	10/1989	Sorrentino	F16B 5/0275 411/337
4,941,337	A *	7/1990	Emery	B21H 3/00 411/392
5,433,570	A *	7/1995	Koppel	E04D 3/3603 411/392
5,782,595	A *	7/1998	Schneider	F16B 5/025 411/352
5,796,109	A	8/1998	Frederick et al.		
5,954,466	A	9/1999	Coffey et al.		
6,125,526	A *	10/2000	Wierzchon	F16B 5/0275 29/525.02
6,264,414	B1 *	7/2001	Hartmann	F16B 31/00 411/392
D548,579	S *	8/2007	Gaudron	F16B 13/065 D8/385
9,897,718	B2	2/2018	Mauborgne et al.		
D814,280	S *	4/2018	Tarbell	D8/387

OTHER PUBLICATIONS

PCT Application No. PCT/US2020/046765; PCT Written Opinion:
 dated May 3, 2021, 5 pages.
 “Bolts with waisted shanks put rail company back on track”,
 [online] retrieved on Jun. 16, 2020 from <https://www.engineerlive.com/content/bolts-waisted-shanks-put-rail-company-back-track>, Feb. 1, 2013.
 “The Benefits of Bolt Shanks”, [online] retrieved on Jun. 16, 2020 from <https://www.nord-lock.com/insights/bolting-tips/2015/benefits-of-bolt-shanks/>, Mar. 19, 2015.

* cited by examiner

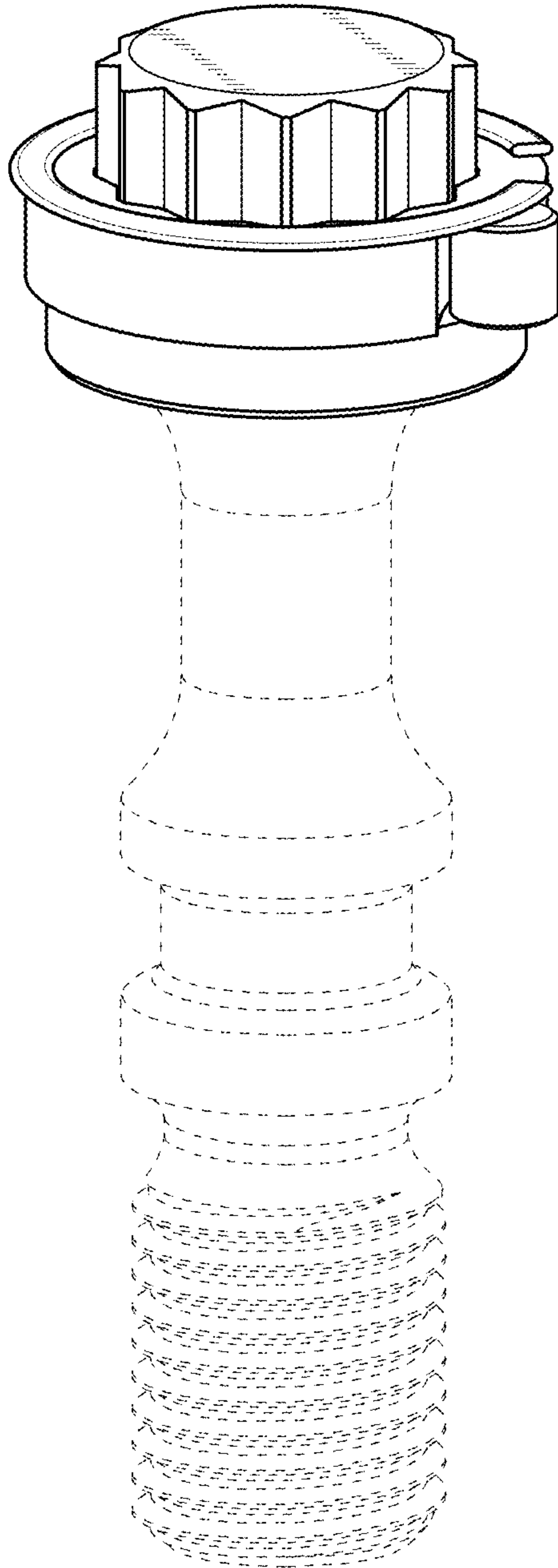


Fig.1

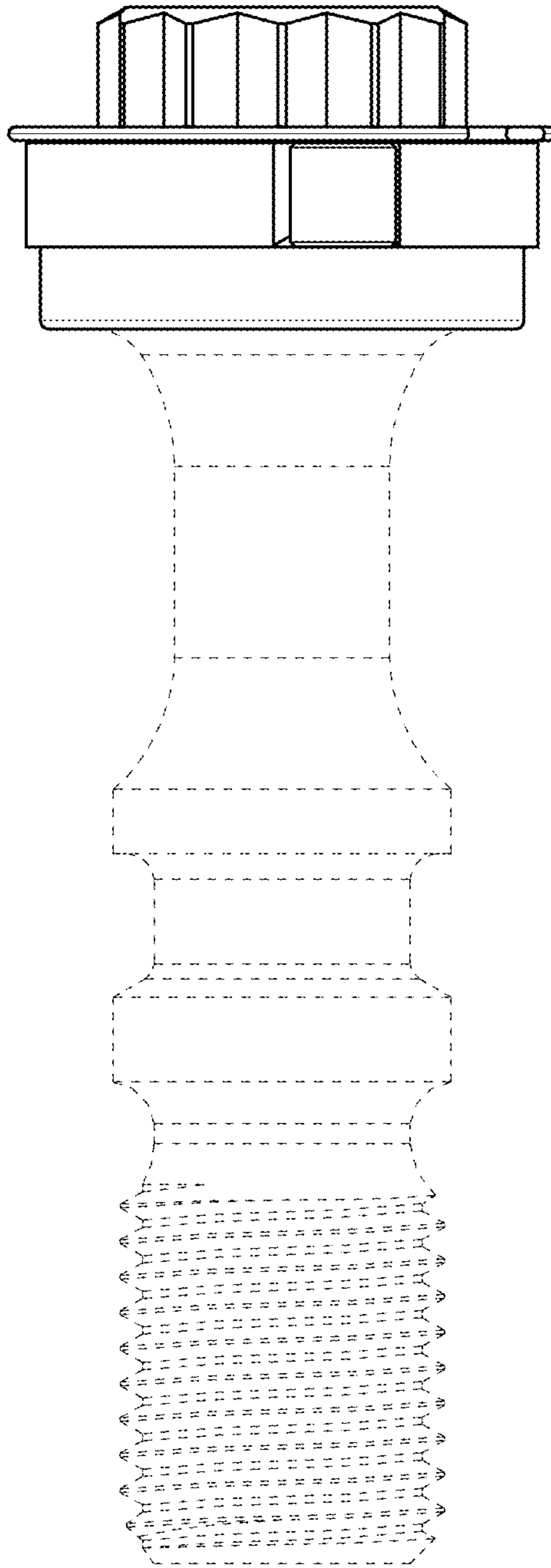


Fig.2

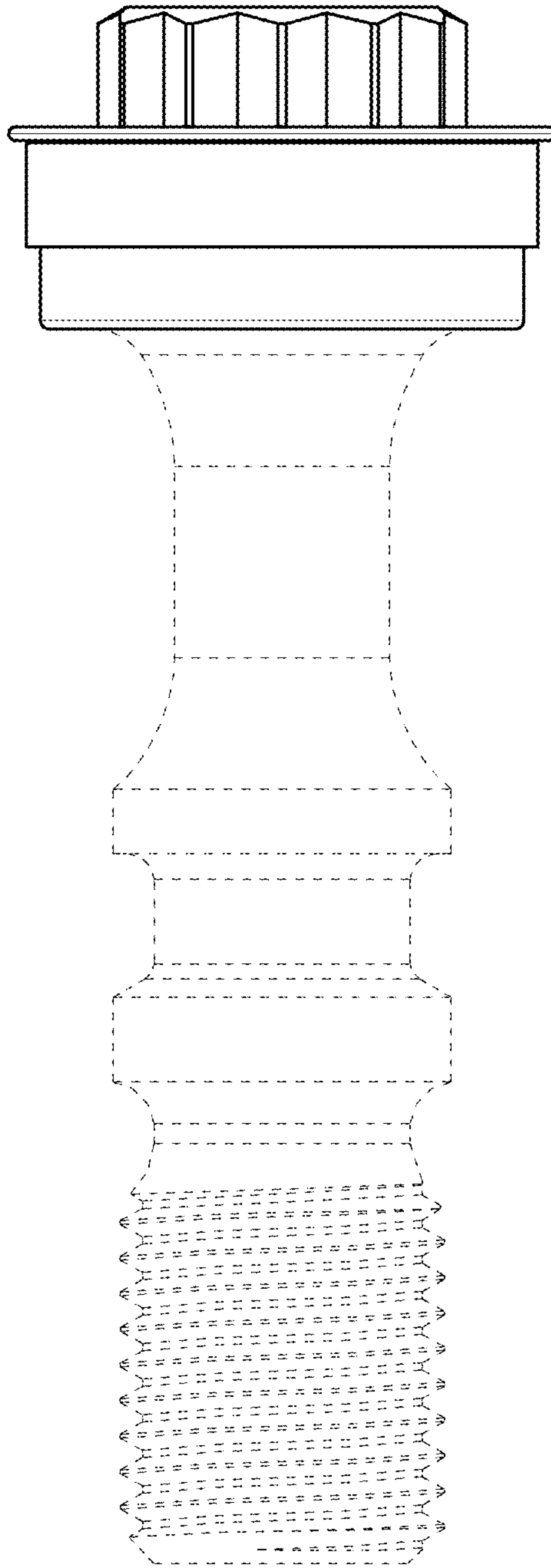


Fig.3

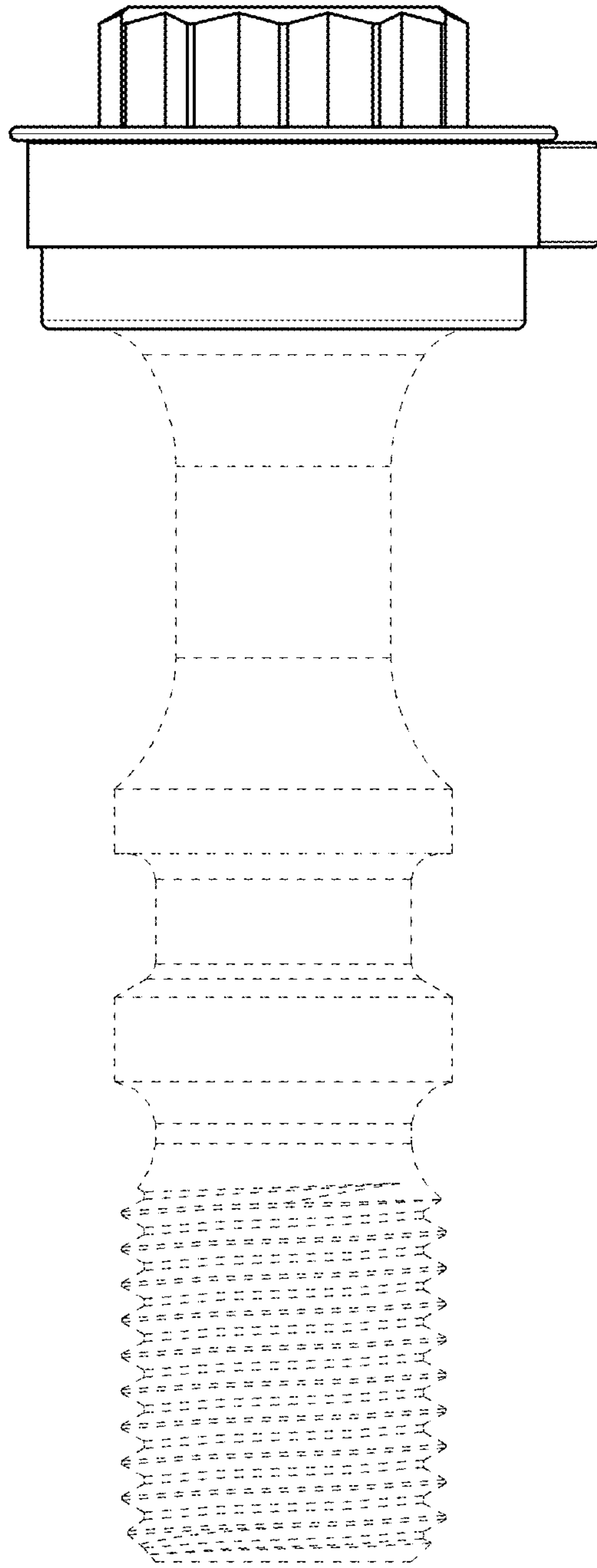


Fig.4

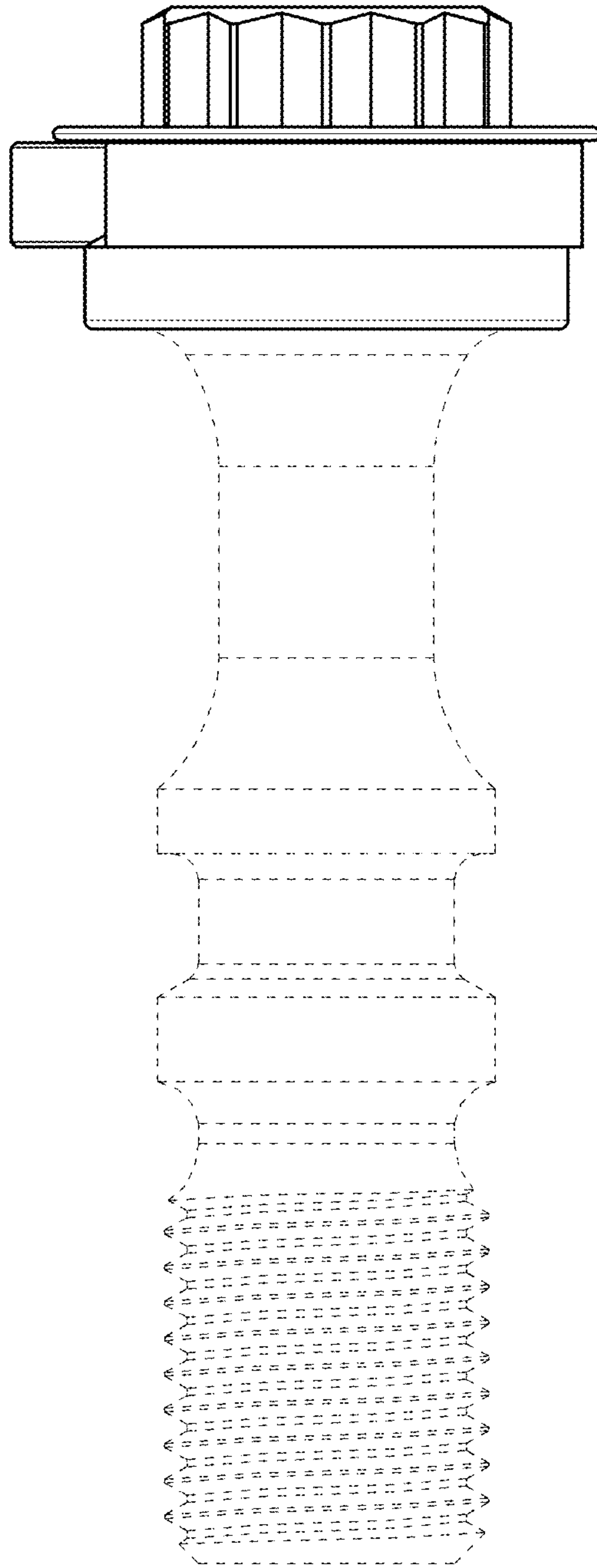


Fig.5

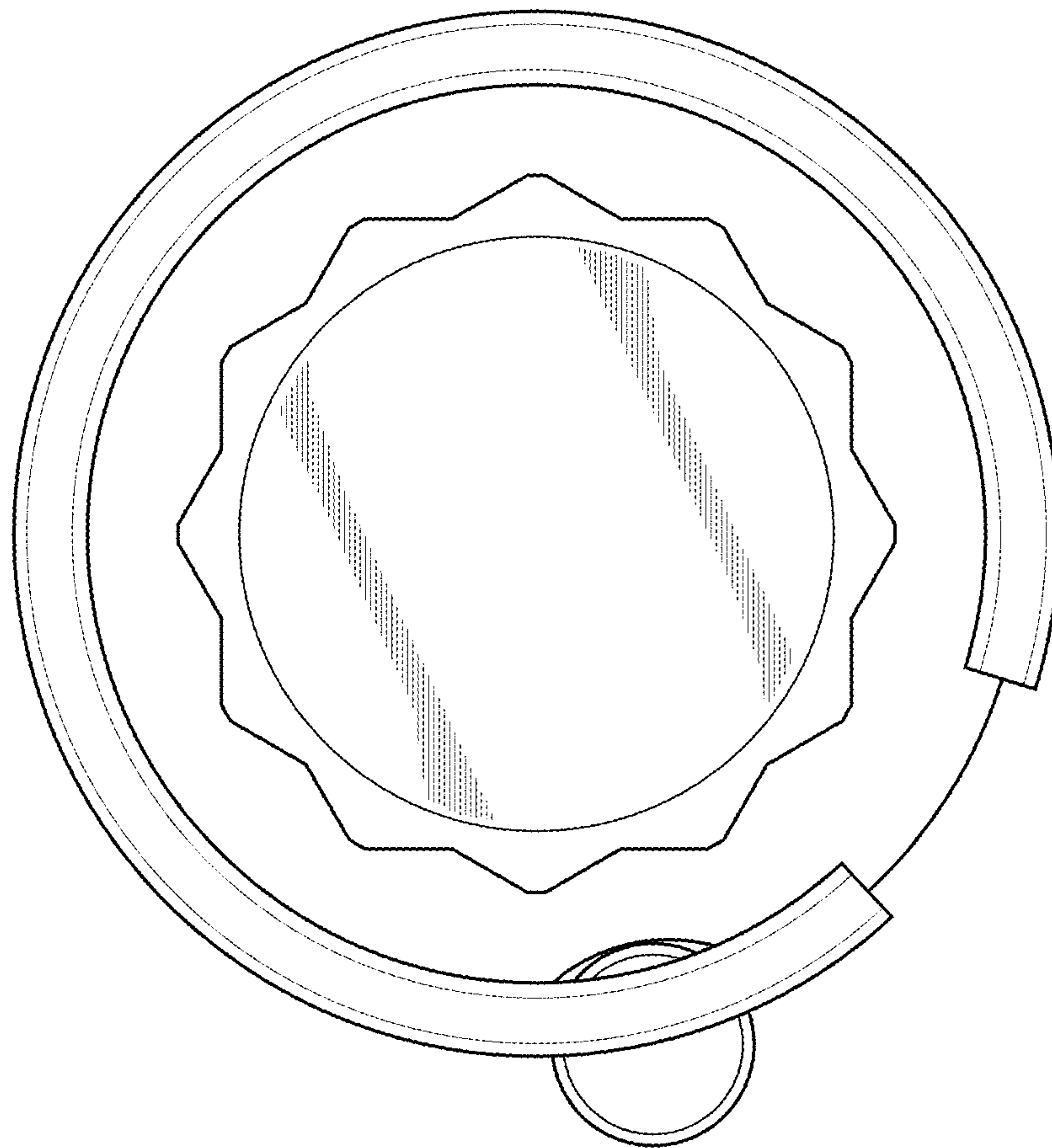


Fig.6

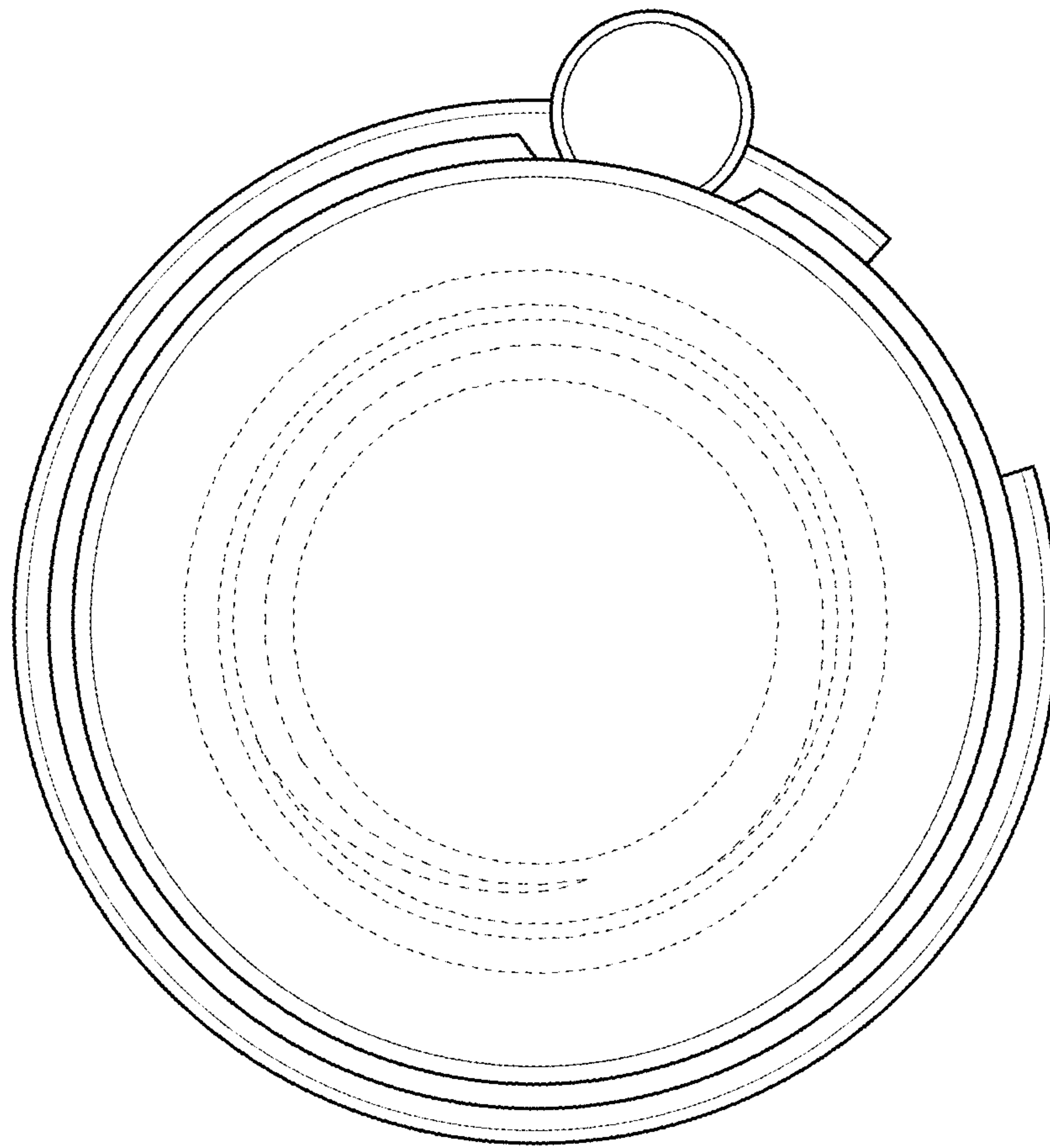


Fig.7

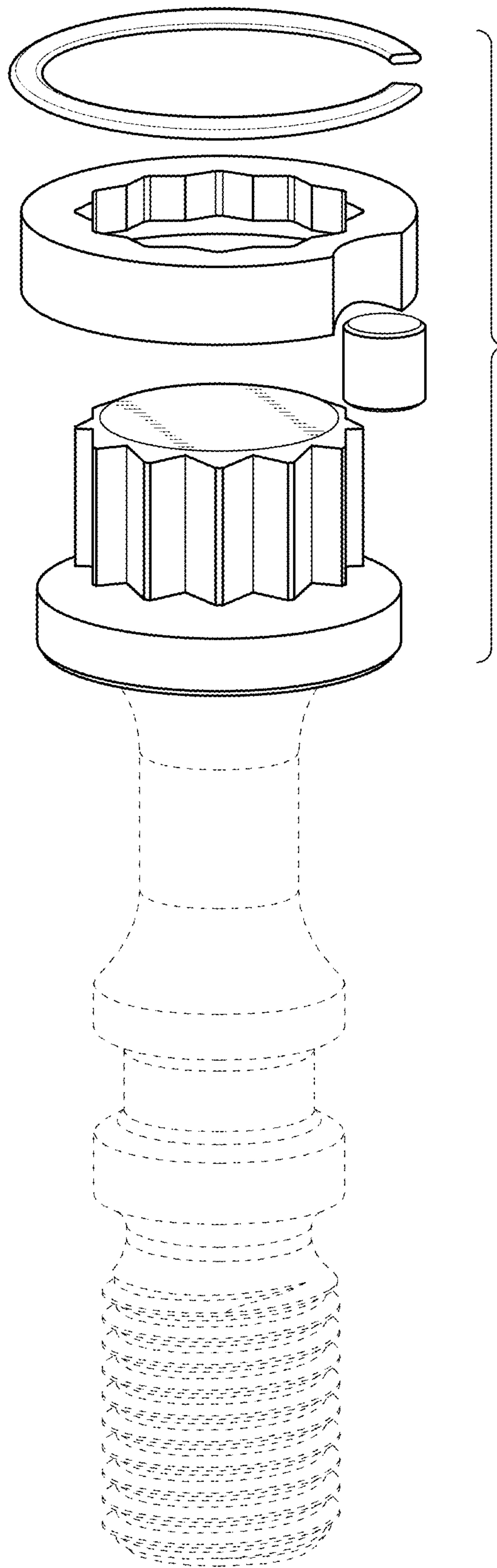


Fig.8