



US00D962045S

(12) **United States Design Patent**  
**Park et al.**

(10) **Patent No.:** **US D962,045 S**  
(45) **Date of Patent:** **\*\* Aug. 30, 2022**

(54) **FASTENER**

(71) Applicant: **ILLINOIS TOOL WORKS INC.**,  
Glenview, IL (US)

(72) Inventors: **Sang Jun Park**, Kimhae-shi (KR);  
**Chang Min Kim**, Hwasung-shi (KR)

(73) Assignee: **Illinois Tool Works Inc.**, Glenview, IL  
(US)

(\*\*) Term: **15 Years**

(21) Appl. No.: **29/738,773**

(22) Filed: **Jun. 19, 2020**

(30) **Foreign Application Priority Data**

Dec. 26, 2019 (KR) ..... 30-2019-0063106

(51) **LOC (13) Cl.** ..... **08-08**

(52) **U.S. Cl.**  
USPC ..... **D8/382**

(58) **Field of Classification Search**  
USPC ..... D8/395, 394, 382, 356; D12/415, 420,  
D12/400, 191  
CPC ..... B60R 2011/0005; B60R 2011/0008; B60R  
2011/007; B60R 2011/0071; F16B 2/02;  
F16B 2/20; F16B 2/246; F16B 2/12;  
B60N 3/046

See application file for complete search history.

(56) **References Cited**

**U.S. PATENT DOCUMENTS**

D291,409 S \* 8/1987 Themistos ..... D8/329  
D339,782 S \* 9/1993 Yoder ..... D12/223  
5,403,058 A \* 4/1995 Fischer ..... B60R 7/082  
16/82  
D389,732 S \* 1/1998 Weishaar ..... D8/356  
D391,150 S \* 2/1998 Anderson ..... D8/394

5,992,807 A \* 11/1999 Tarulli ..... B60R 11/0241  
248/205.3  
6,651,938 B1 \* 11/2003 Moreland ..... F16B 2/02  
248/61  
D536,606 S \* 2/2007 Cox ..... D8/395  
D548,668 S \* 8/2007 Walton ..... D12/317  
D582,262 S \* 12/2008 Kudo ..... D8/382

(Continued)

**FOREIGN PATENT DOCUMENTS**

EP 1980444 A2 \* 10/2008 ..... B60N 3/046  
EP 3321133 A1 \* 5/2018 ..... B60R 11/00

(Continued)

*Primary Examiner* — Sheryl Lane

*Assistant Examiner* — Ieisha N Price

(74) *Attorney, Agent, or Firm* — Quarles & Brady LLP

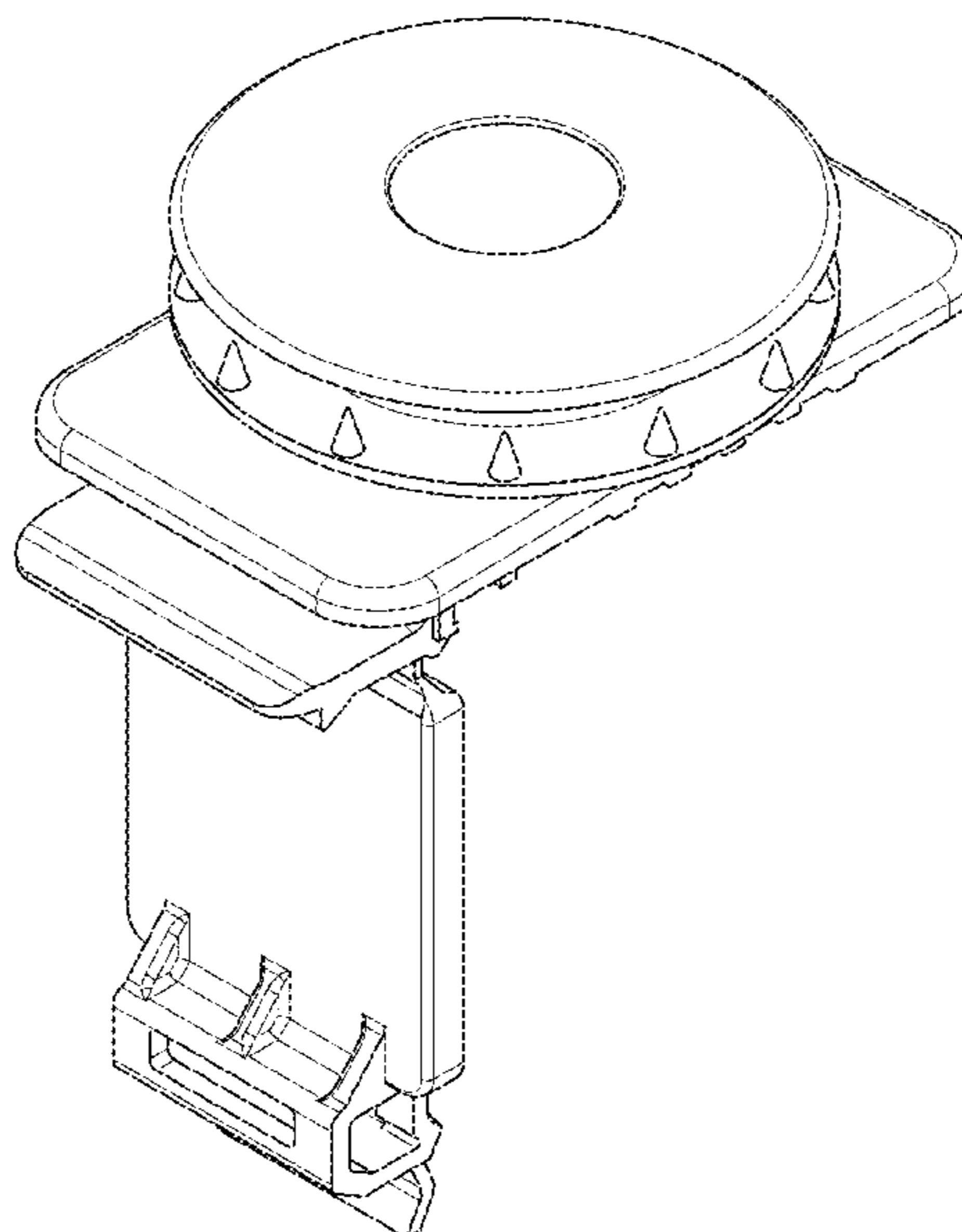
(57) **CLAIM**

The ornamental design for a fastener, as shown and described.

**DESCRIPTION**

FIG. 1 is a top, front, and right side isometric view of an ornamental design for a fastener;  
FIG. 2 is a bottom, rear, and right side isometric view of the fastener of FIG. 1;  
FIG. 3 is a front elevational view of the fastener of FIG. 1;  
FIG. 4 is a rear elevational view of the fastener of FIG. 1;  
FIG. 5 is a left side elevational view of the fastener of FIG. 1;  
FIG. 6 is a right side elevational view of the fastener of FIG. 1;  
FIG. 7 is a top plan view of the fastener of FIG. 1; and,  
FIG. 8 is a bottom plan view of the fastener of FIG. 1.  
The evenly spaced broken lines in the drawings illustrate portions of the fastener and form no part of the claimed design. The dot-dash-dot broken lines in the drawings define the bounds of the claim and form no part thereof.

**1 Claim, 6 Drawing Sheets**



(56)

References Cited

U.S. PATENT DOCUMENTS

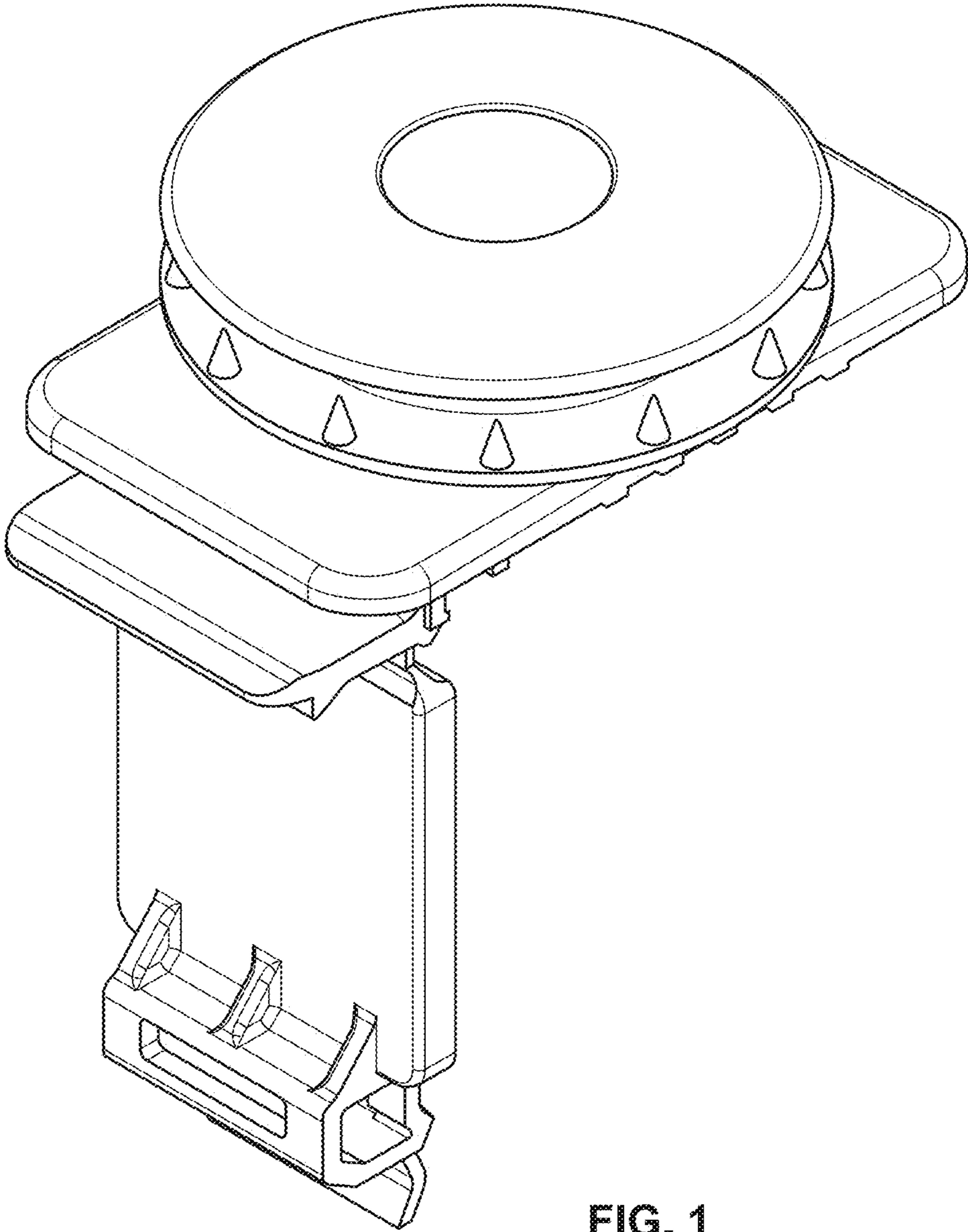
D597,666 S \* 8/2009 George ..... D24/128  
D609,558 S \* 2/2010 Pilarski ..... D8/395  
D695,173 S \* 12/2013 Sperry ..... D12/185  
D717,307 S \* 11/2014 Chun ..... D14/447  
D741,701 S \* 10/2015 McNeil ..... D8/396  
D770,886 S \* 11/2016 Whitaker ..... D8/394  
9,596,926 B1 \* 3/2017 Volmer ..... A42B 1/24  
D798,139 S \* 9/2017 Giannatti ..... D8/394  
D807,161 S \* 1/2018 Whitaker ..... D8/394  
D818,808 S \* 5/2018 Barnett ..... D8/394  
D845,309 S \* 4/2019 Goldstein ..... D14/447  
10,272,847 B1 \* 4/2019 Fan ..... B60R 11/0241  
D852,681 S \* 7/2019 Peters ..... D12/114  
D865,751 S \* 11/2019 Richter ..... D14/253  
D873,813 S \* 1/2020 Zhong ..... D14/253  
D874,385 S \* 2/2020 Jang ..... D12/415  
D897,826 S \* 10/2020 Scroggie ..... F16B 5/0607  
D8/382  
D922,863 S \* 6/2021 Reiter ..... D8/382  
D924,674 S \* 7/2021 Mangano ..... D8/395  
2002/0078537 A1 \* 6/2002 Shibuya ..... A47G 27/0418  
24/662  
2007/0011844 A1 \* 1/2007 Aoki ..... B60N 3/046  
16/4  
2008/0224007 A1 \* 9/2008 Mo ..... B60R 11/00  
248/231.81

2010/0122429 A1 \* 5/2010 Gonzalez ..... B60N 3/046  
16/4  
2010/0212119 A1 \* 8/2010 Dendo ..... B60N 3/046  
24/453  
2010/0226641 A1 \* 9/2010 Lowen ..... F16M 13/022  
396/419  
2010/0287748 A1 \* 11/2010 Courtin ..... B60N 3/046  
24/700  
2013/0318775 A1 \* 12/2013 Peters ..... A45F 5/00  
29/592.1  
2013/0343817 A1 \* 12/2013 Schilling ..... F16B 2/065  
403/374.3  
2016/0096485 A1 \* 4/2016 Fan ..... B60R 1/04  
224/570  
2016/0174396 A1 \* 6/2016 Wang ..... F16B 2/10  
248/231.51  
2018/0066683 A1 \* 3/2018 Bury ..... F16M 13/022  
2020/0254940 A1 \* 8/2020 Dang ..... B60R 11/0252  
2020/0324679 A1 \* 10/2020 Gonzalez Carrillo . B60N 3/044  
2020/0398766 A1 \* 12/2020 Navarro ..... H04R 1/08  
2021/0046885 A1 \* 2/2021 Jankura ..... F16M 13/02  
2021/0206327 A1 \* 7/2021 Song ..... H04B 1/3822  
2021/0291714 A1 \* 9/2021 Furuuchi ..... B60N 3/046

FOREIGN PATENT DOCUMENTS

WO WO-2009076333 A1 \* 6/2009 ..... B60N 3/046  
WO WO-2013099088 A1 \* 7/2013 ..... B60N 3/046  
WO WO-2015136721 A1 \* 9/2015 ..... B60N 3/044

\* cited by examiner



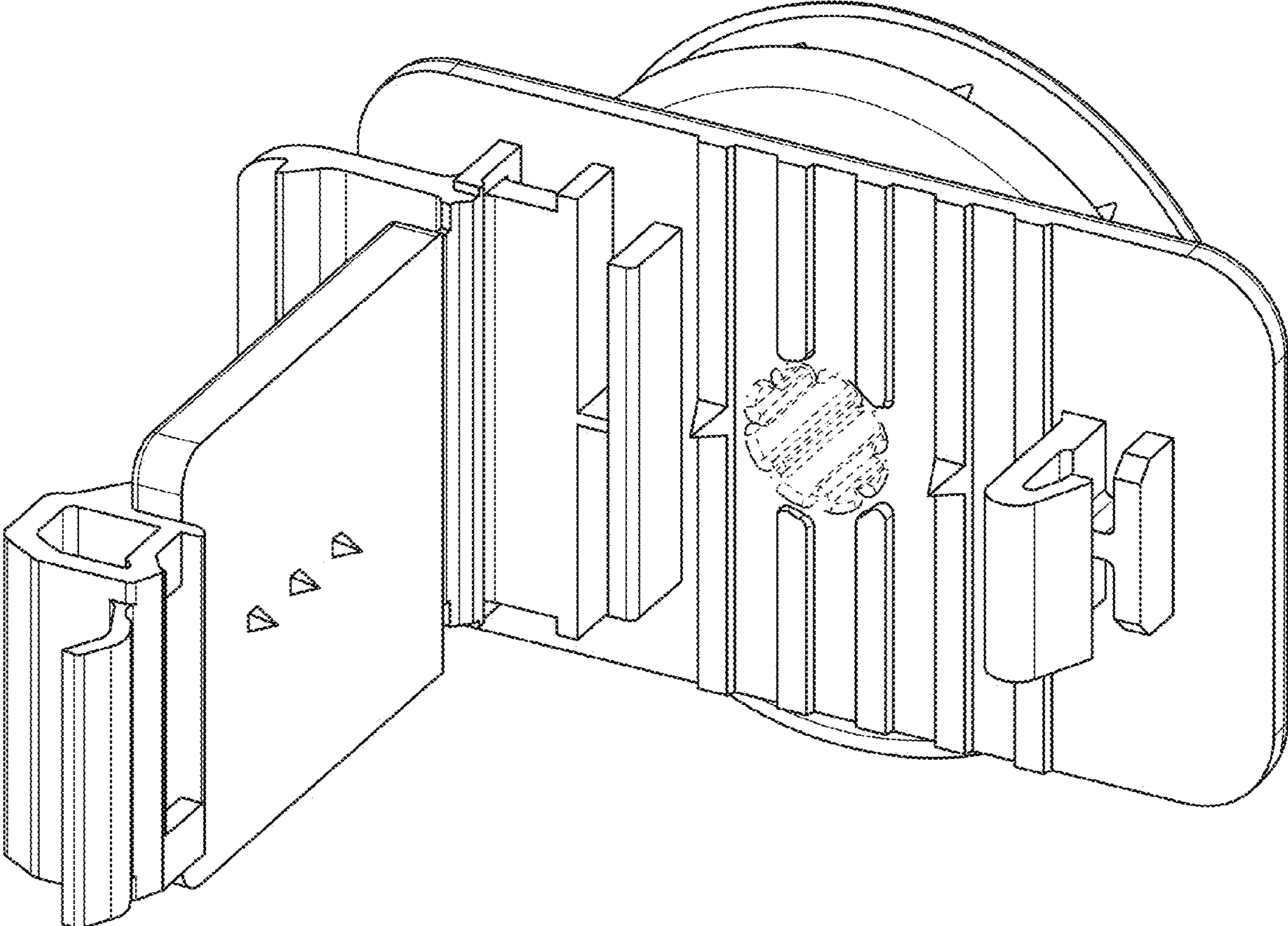


FIG. 2

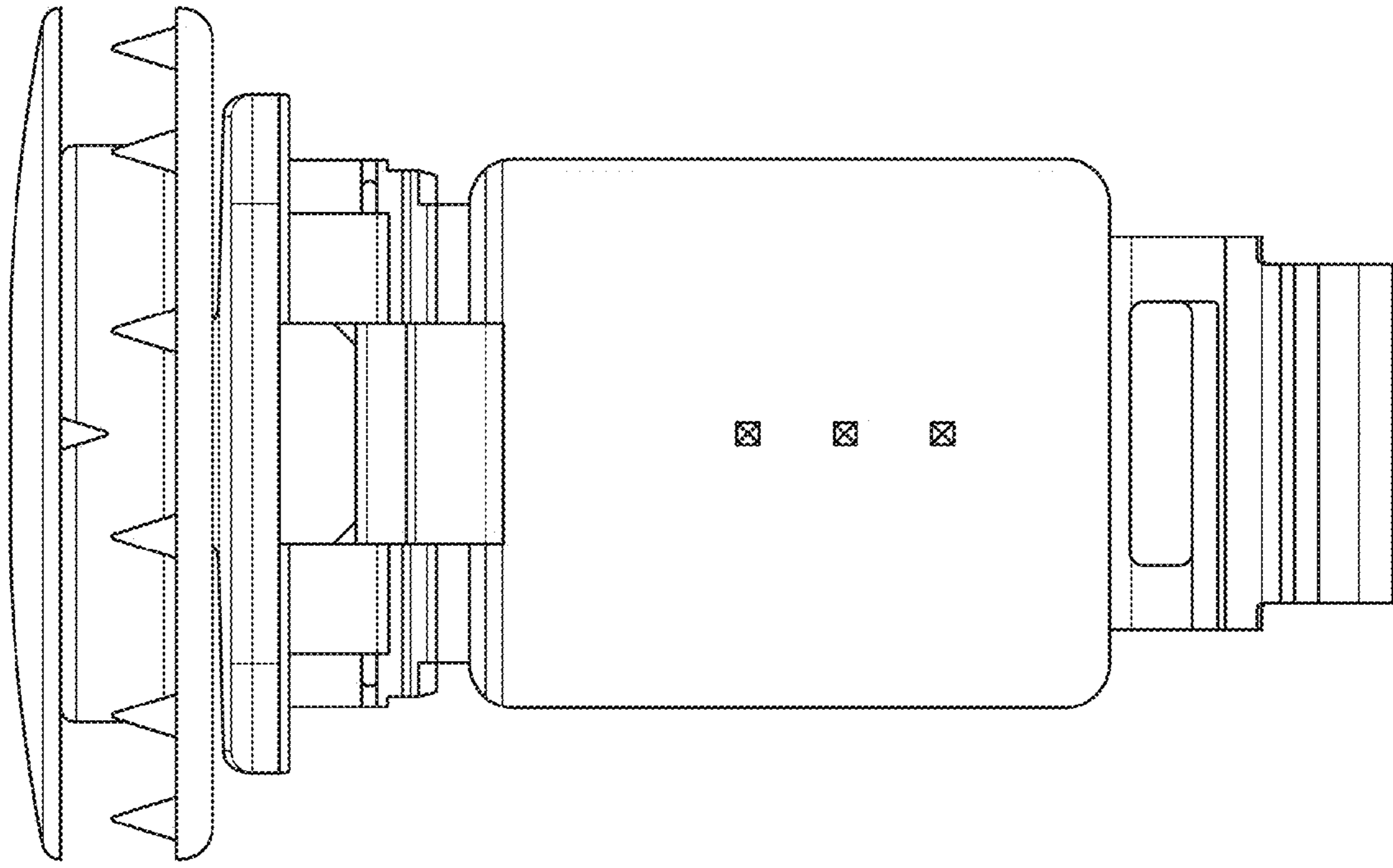


FIG. 4

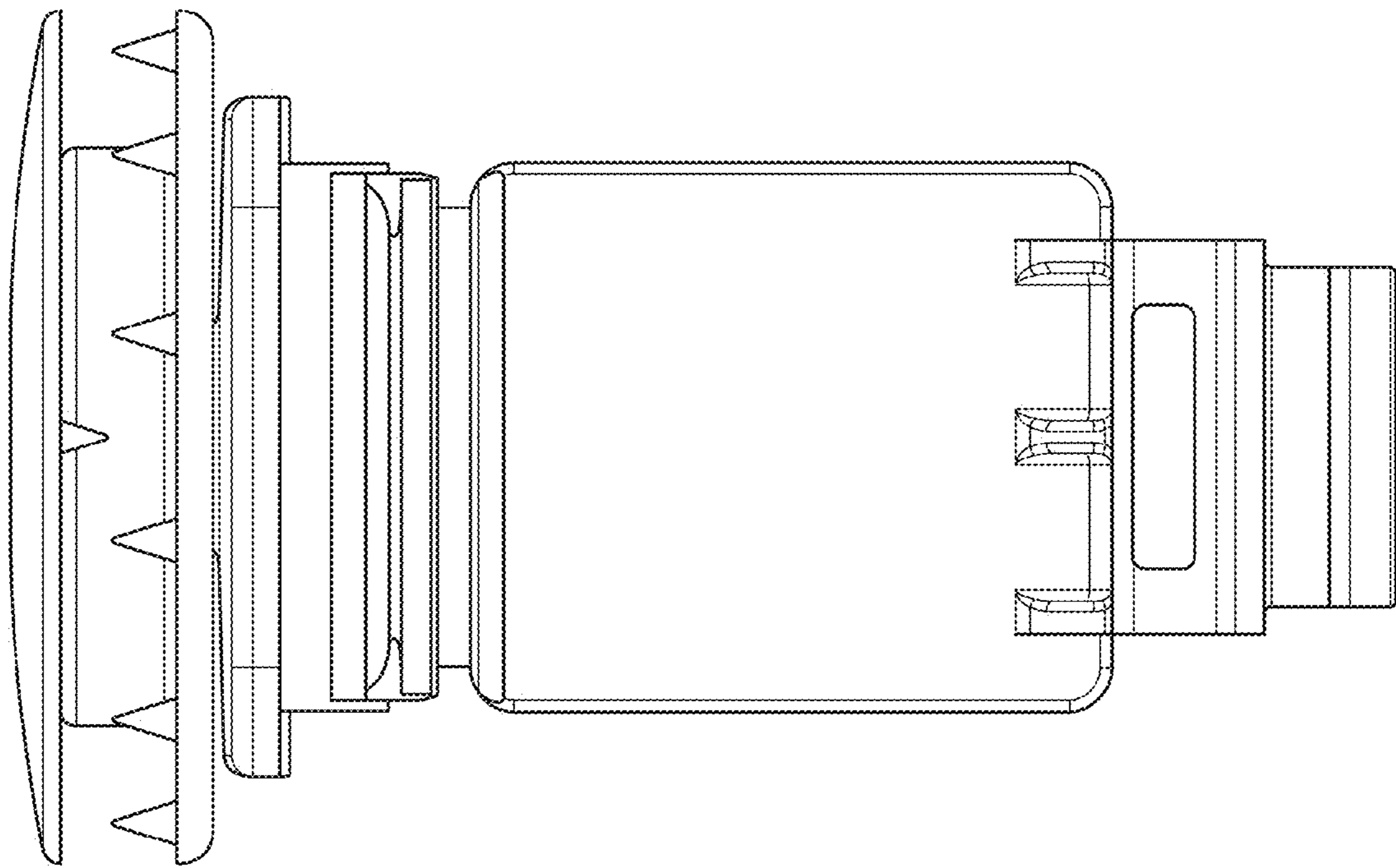


FIG. 3

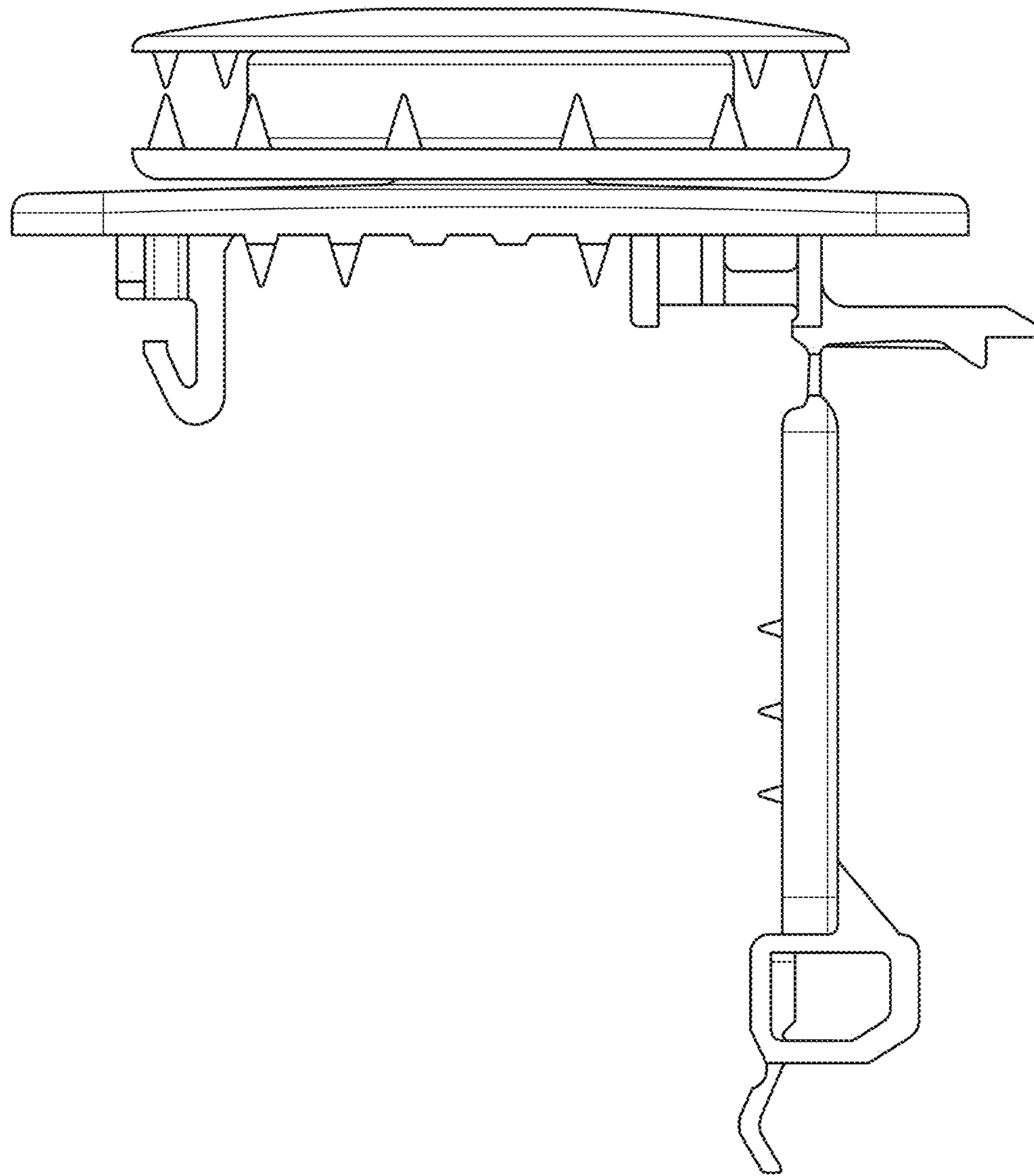


FIG. 5

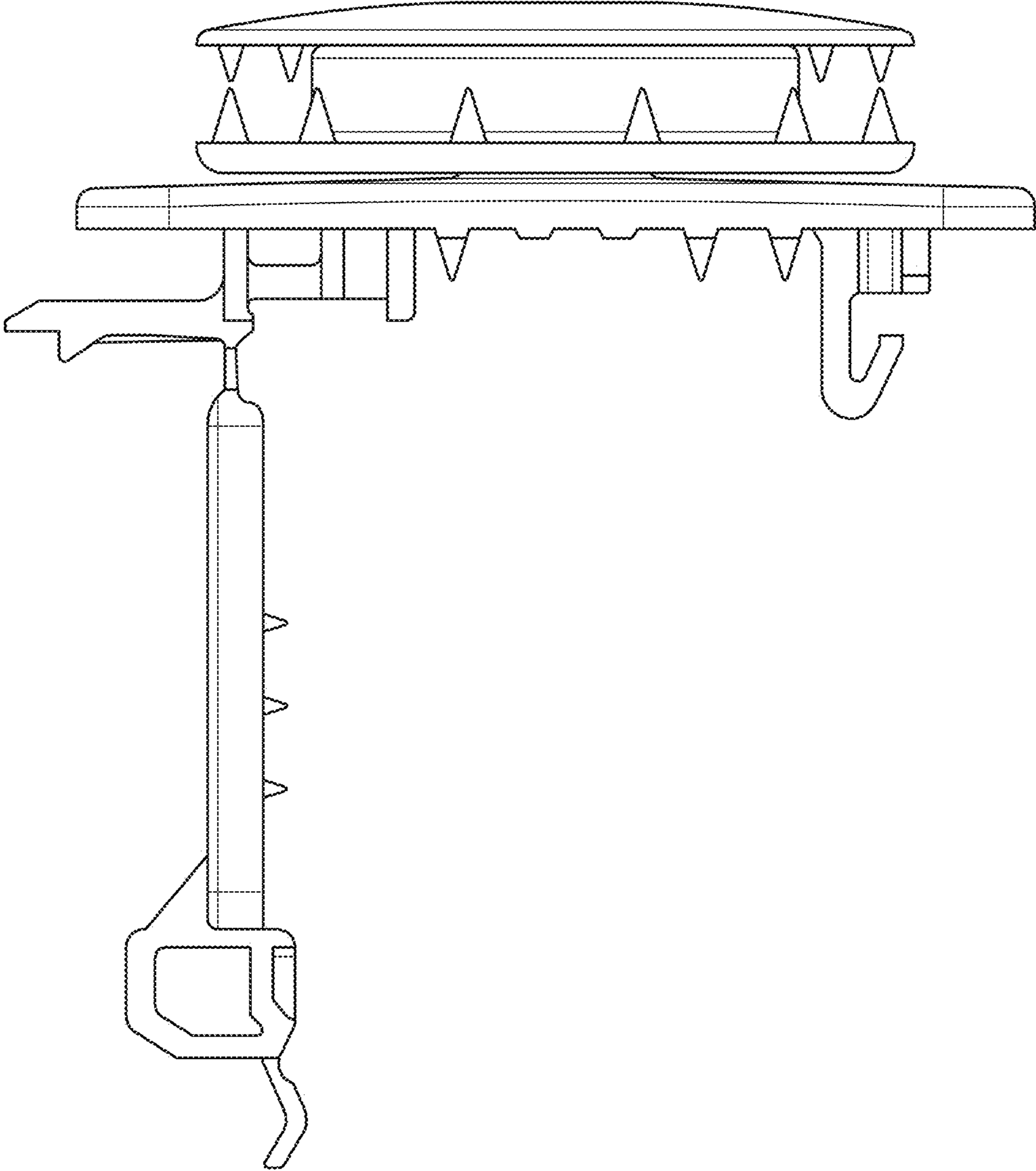


FIG. 6

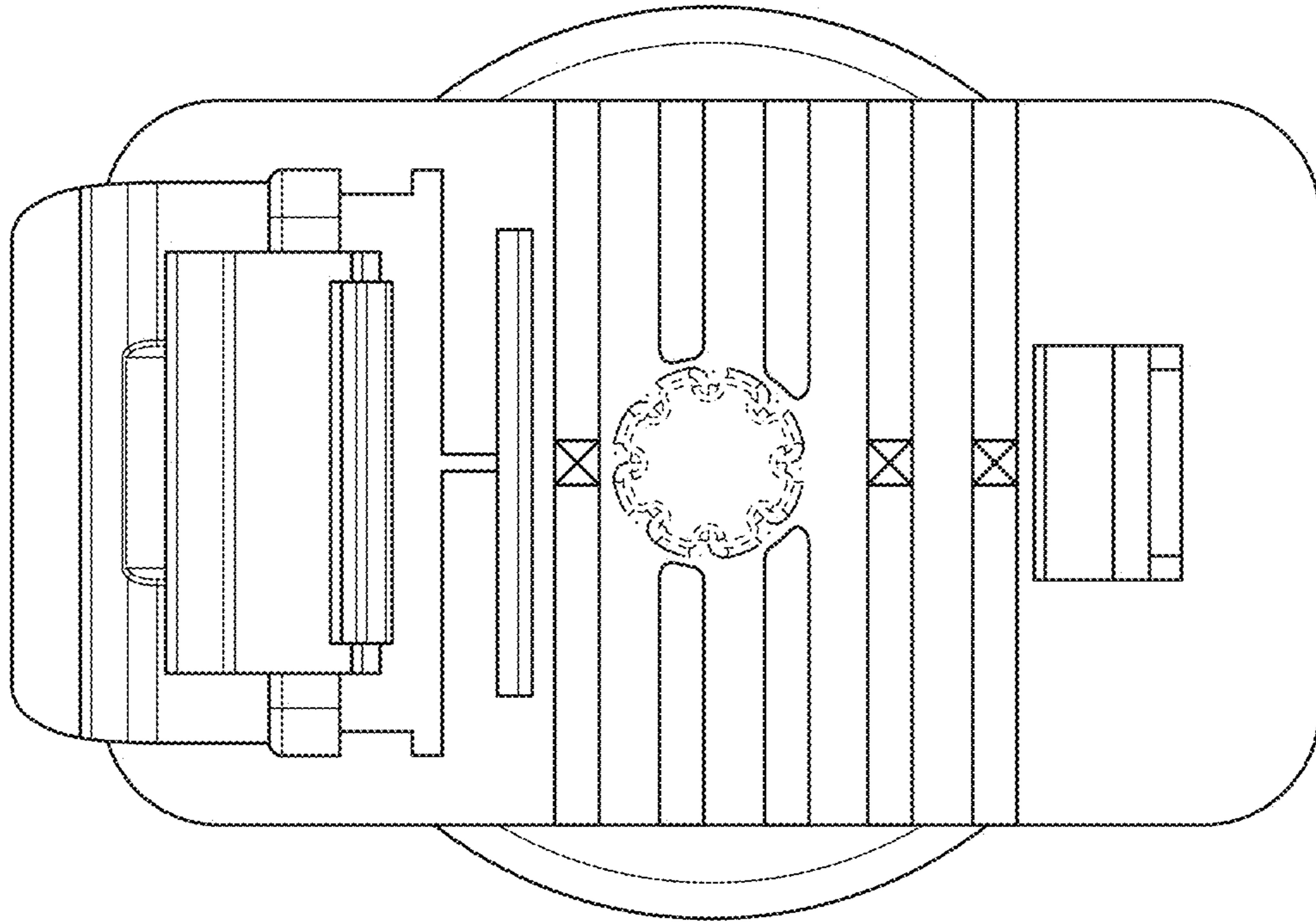


FIG. 7

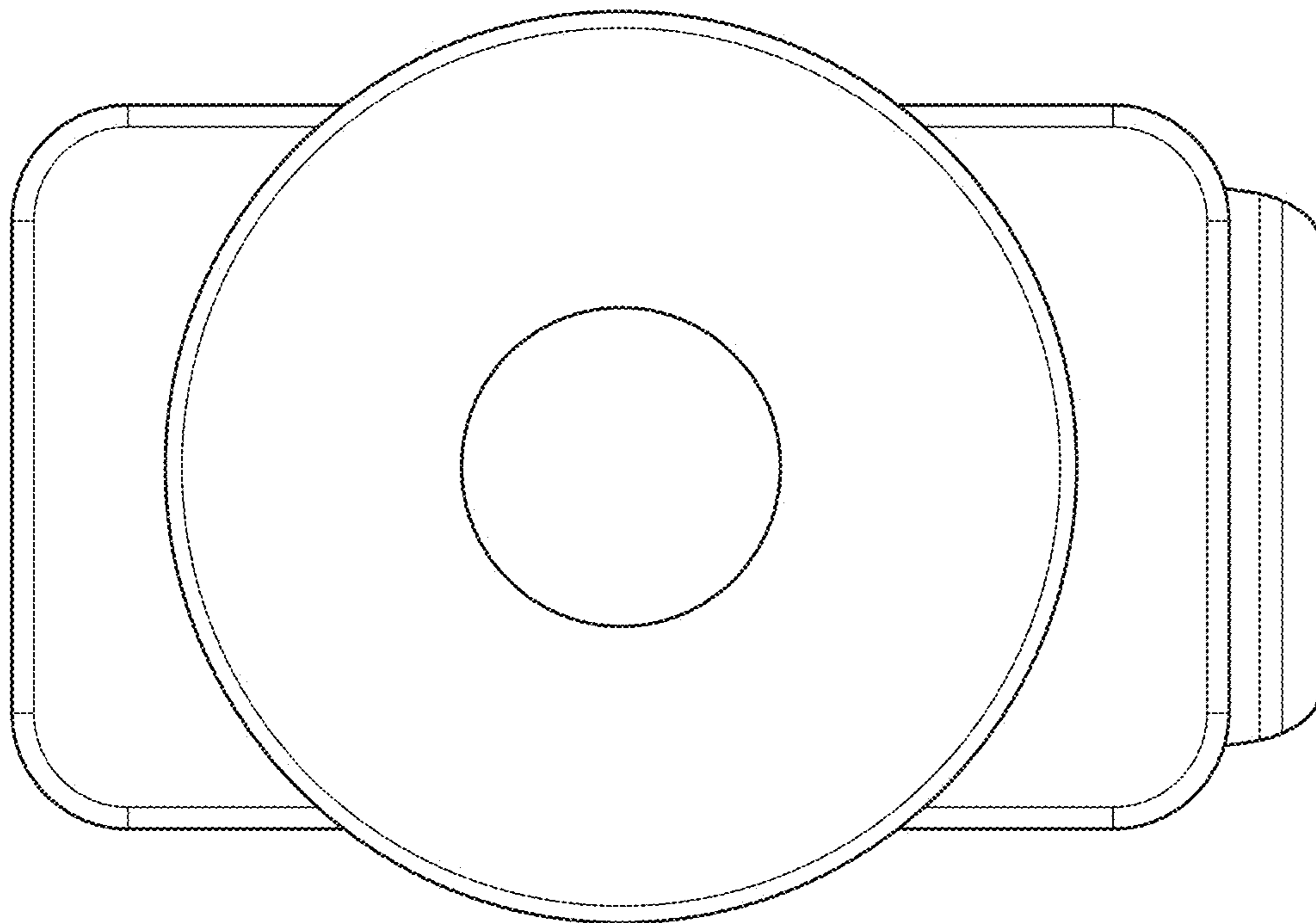


FIG. 8