

US00D962043S

(12) **United States Design Patent**  
**Wu et al.**

(10) **Patent No.:** **US D962,043 S**

(45) **Date of Patent:** **\*\* Aug. 30, 2022**

(54) **BRACKET APPLIED TO A WINDOW TREATMENT**

D336,580 S 6/1993 White et al.  
D355,094 S 2/1995 Josephson  
5,651,487 A 7/1997 Hansen  
D422,886 S 4/2000 Shea

(Continued)

(71) Applicant: **Lutron Technology Company LLC**,  
Coopersburg, PA (US)

(72) Inventors: **Mailing Ren Wu**, Lansdale, PA (US);  
**Margaret A. Block**, Allentown, PA  
(US); **David A. Kirby**, Zionsville, PA  
(US); **Vladislav Pejic**, Allentown, PA  
(US)

FOREIGN PATENT DOCUMENTS

BE 200900404 9/2011  
CN 302935425 4/2014

(Continued)

(73) Assignee: **Lutron Technology Company LLC**,  
Coopersburg, PA (US)

OTHER PUBLICATIONS

Coulisse, Absolute Roller Blind 2.0 Brochure, Aug. 2015, 124 pages.

(Continued)

(\*\*) Term: **15 Years**

*Primary Examiner* — Keli L Hill

*Assistant Examiner* — Harold E Blackwell, II

(21) Appl. No.: **29/772,085**

(22) Filed: **Feb. 26, 2021**

(51) **LOC (13) Cl.** ..... **08-05**

(52) **U.S. Cl.**

USPC ..... **D8/381**; D8/356; D8/376

(58) **Field of Classification Search**

USPC ..... D8/376, 355, 363, 349, 356, 377, 382,  
D8/383, 381; D6/576, 580, 579

CPC ..... Y10S 160/901; B60J 1/205; B60J 1/2069;  
B66D 1/39; A47H 5/06

See application file for complete search history.

(74) *Attorney, Agent, or Firm* — Saidman DesignLaw Group, LLC

(57) **CLAIM**

The ornamental design for a bracket applied to a window treatment, as shown and described.

**DESCRIPTION**

FIG. 1 is a perspective view of a bracket applied to a window treatment showing our design;

FIG. 2 is another perspective view thereof;

FIG. 3 is a front view thereof;

FIG. 4 is a rear view thereof;

FIG. 5 is a left side view thereof;

FIG. 6 is a right side view thereof;

FIG. 7 is a top view thereof; and,

FIG. 8 is a bottom view thereof.

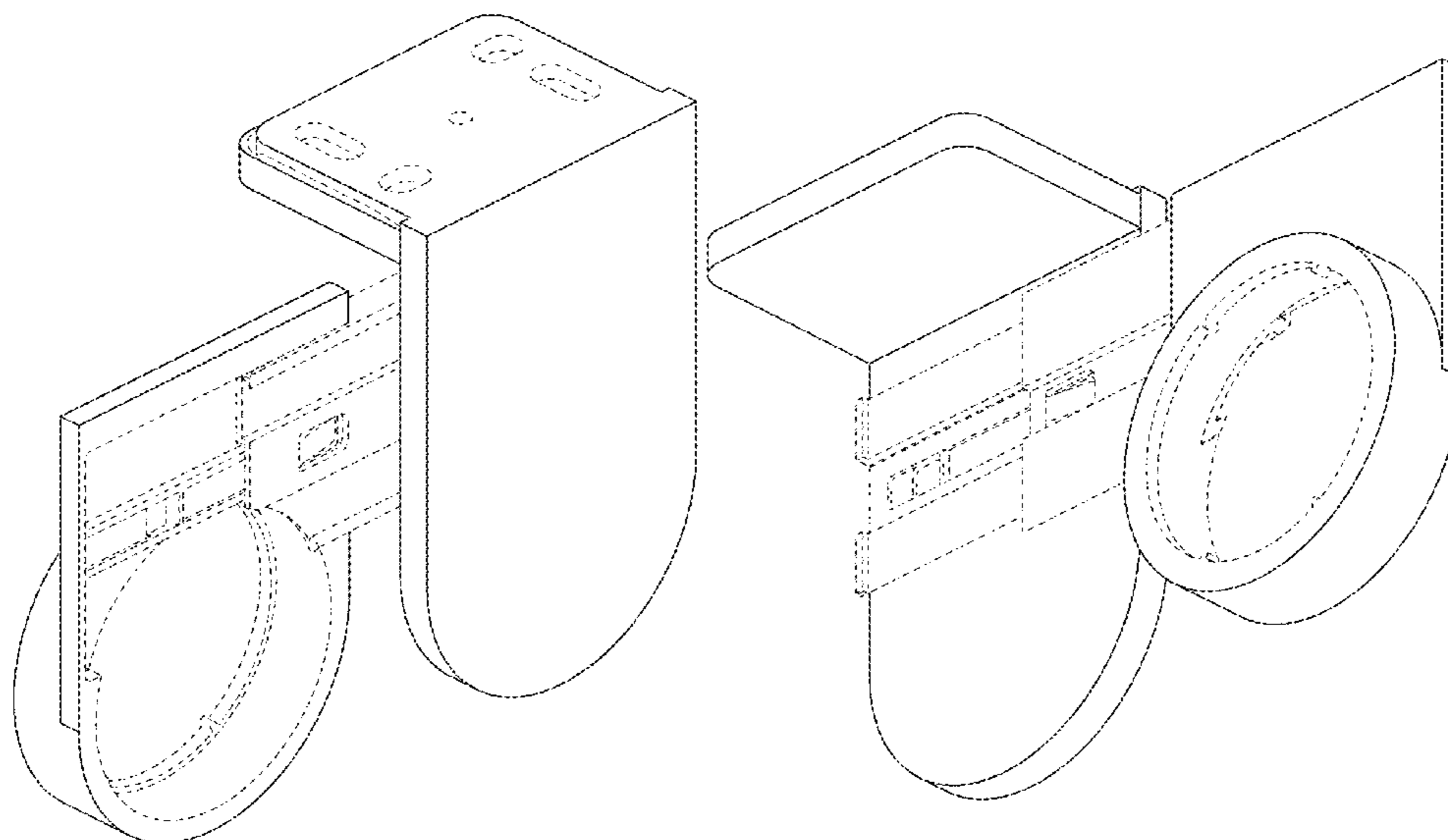
The broken lines illustrate structure or features which form no part of the claimed design.

(56) **References Cited**

U.S. PATENT DOCUMENTS

846,089 A 3/1907 Cannon  
1,557,419 A 10/1925 Clarke  
2,301,698 A 2/1936 Fanzoi  
2,108,939 A 2/1938 Lewis  
D161,199 S 12/1950 Perelman  
D182,161 S 2/1958 Bulman  
4,368,771 A 1/1983 Hopper  
4,771,966 A 9/1988 Anderson  
D322,211 S 12/1991 Gary  
D327,192 S 6/1992 Geuvjehizian

**1 Claim, 4 Drawing Sheets**



(56)

References Cited

U.S. PATENT DOCUMENTS

D534,059 S \* 12/2006 Goldenberg ..... D8/354  
 7,207,371 B2 4/2007 Hsu  
 D547,985 S 8/2007 Kubota  
 7,267,311 B2 9/2007 Jung  
 D594,312 S \* 6/2009 Clarke ..... D8/354  
 7,740,047 B2 \* 6/2010 Koop ..... E06B 9/50  
 160/323.1  
 D622,993 S 9/2010 Park et al.  
 7,849,907 B2 12/2010 Jang  
 D632,118 S 2/2011 Clarke  
 7,931,069 B2 4/2011 Cannaverde et al.  
 D669,771 S 10/2012 Geiger  
 8,307,879 B2 11/2012 Lin  
 D694,039 S 11/2013 Licciardi Di Stefano  
 D695,042 S 12/2013 Licciardi Di Stefano  
 D705,040 S 5/2014 Konrad et al.  
 D712,727 S 9/2014 Geiger  
 8,967,568 B2 3/2015 Wills et al.  
 D731,876 S 6/2015 Di Stefano  
 9,045,939 B2 6/2015 Blair et al.  
 D733,536 S 7/2015 Di Stefano  
 D733,537 S 7/2015 Di Stefano  
 D740,108 S \* 10/2015 Di Stefano ..... D6/580  
 D741,697 S \* 10/2015 McGrath ..... D8/382  
 9,237,821 B2 1/2016 Geiger  
 D758,827 S 6/2016 Grasselli et al.  
 D780,481 S \* 3/2017 Clymer ..... D6/580  
 9,587,429 B2 3/2017 Cheng  
 D791,581 S \* 7/2017 Lin ..... D8/356  
 D798,133 S \* 9/2017 Ng ..... D8/380  
 9,840,870 B2 12/2017 Lu et al.  
 D817,660 S 5/2018 Raiti  
 9,988,839 B2 6/2018 Geiger  
 D822,473 S \* 7/2018 Ng ..... D8/383  
 10,309,461 B2 6/2019 Ng  
 D871,105 S 12/2019 Pejic et al.  
 D871,795 S 1/2020 Pejic  
 D874,183 S \* 2/2020 Pejic ..... D6/580  
 D877,536 S 3/2020 Jones  
 10,590,699 B2 3/2020 Chen  
 D883,776 S \* 5/2020 Pejic ..... D8/381  
 10,808,455 B2 \* 10/2020 Hebeisen ..... E06B 9/42  
 D911,743 S \* 3/2021 Pejic ..... D6/580  
 D916,583 S \* 4/2021 Pejic ..... D8/356  
 D941,053 S \* 1/2022 Pejic ..... D6/580  
 11,230,882 B2 \* 1/2022 Blair ..... E06B 9/44  
 D943,401 S \* 2/2022 Pejic ..... D8/363  
 11,280,131 B2 \* 3/2022 Adams ..... E06B 9/322  
 D947,659 S \* 4/2022 Pejic ..... D8/356  
 2006/0118248 A1 6/2006 Anderson et al.  
 2007/0175004 A1 8/2007 Chien  
 2008/0053625 A1 3/2008 Anthony  
 2009/0250177 A1 10/2009 Byeon  
 2009/0283226 A1 11/2009 Cheng  
 2010/0269983 A1 10/2010 Kirby  
 2011/0067820 A1 3/2011 Hsu et al.  
 2011/0139382 A1 6/2011 Daniels  
 2011/0186240 A1 8/2011 Lin  
 2011/0186246 A1 8/2011 Lin  
 2011/0259533 A1 10/2011 Lin  
 2012/0043027 A1 2/2012 Chen  
 2012/0043029 A1 2/2012 Gaskill et al.  
 2012/0255686 A1 10/2012 Huang  
 2013/0037646 A1 2/2013 Ohl et al.  
 2013/0255894 A1 10/2013 Kim  
 2014/0069595 A1 \* 3/2014 Chen ..... E06B 9/50  
 160/291  
 2014/0182793 A1 7/2014 Byun  
 2014/0231032 A1 8/2014 Blair  
 2014/0251558 A1 9/2014 Chou  
 2014/0262068 A1 9/2014 Buccola, Jr. et al.  
 2014/0305602 A1 \* 10/2014 Kirby ..... E06B 9/70  
 160/310  
 2014/0374036 A1 12/2014 Chen  
 2015/0184454 A1 7/2015 Strand

2016/0083999 A1 3/2016 Chen et al.  
 2016/0123076 A1 \* 5/2016 Kirby ..... E06B 9/72  
 160/310  
 2016/0130863 A1 5/2016 Cheng  
 2016/0130869 A1 5/2016 Cheng  
 2016/0348428 A1 12/2016 Cheng  
 2016/0369558 A1 \* 12/2016 Kirby ..... E06B 9/42  
 2017/0096855 A1 4/2017 Chen  
 2017/0183908 A1 6/2017 Lu et al.  
 2017/0284153 A1 10/2017 Reiner et al.  
 2018/0023340 A1 1/2018 Goldberg et al.  
 2018/0112462 A1 4/2018 Chen et al.  
 2018/0171710 A1 \* 6/2018 Kirby ..... E06B 9/72  
 2018/0179812 A1 6/2018 Dubina et al.  
 2019/0017321 A1 1/2019 Chen  
 2019/0100960 A1 4/2019 Chen  
 2019/0345761 A1 11/2019 Hsu et al.  
 2019/0345762 A1 11/2019 Cheng  
 2019/0383094 A1 12/2019 Kwon  
 2020/0071994 A1 3/2020 Lin  
 2020/0080372 A1 3/2020 Hsu et al.

FOREIGN PATENT DOCUMENTS

CN 304833145 9/2018  
 CN 304966457 12/2018  
 CN 305021077 2/2019  
 CN 305026565 2/2019  
 CN 305062566 2/2019  
 CN 305565812 1/2020  
 DE G 89 14 725.1 8/1990  
 DE 20 2012 007 904 U1 1/2014  
 EM 002210195-0002 10/2013  
 EP 2 354 439 A2 8/2011  
 JP 2013-14931 A 1/2013  
 JP D1498668 6/2014  
 WO D063559-023 5/2003  
 WO D063559-024 5/2003

OTHER PUBLICATIONS

Lovable Products From Coolaroo for Shade Sails or Exterior Blinds or Umbrellas or Pet Beds Ideas, posted Jul. 27, 2017, [retrieved Mar. 27, 2018]. Retrieved from Internet, <URL: <http://www.marccharlessteakhouse.com/lovable-products-from-coolaroo-for-shade-sails-or-exterior-blinds-or-umbrellas-or-pet-beds-ideas/coolaroo-material-coolaroo-sun-shades-coolaroo/>>.  
 How to Remove Coolaroo Exterior Sim Shades, posted Aug. 30, 2013, [retrieved Mar. 27, 2018]. Retrieved from Internet, <URL: <https://www.youtubecom./watch?v=8GPJ2UY3fVI>>.  
 Roller Shade & Blackouts Installation, posted unknown, [retrieved Mar. 27, 2018]. Retrieved from Internet, <URL: <http://www.theshadedesigners.com/how-to-install/installation-rollershadesblackouts/>>.  
 Coolaroo Exterior Sun Shade Idle End Unit, posted unknown, [retrieved Mar. 27, 2018]. Retrieved from Internet, <URL: <https://wholesaleblindparts.com/products/copy-of-coolaroo-exterior-sun-shade-cordless-crank-kit>>.  
 Coolaroo, Exterior Roller Sun Shade Installation Instructions, Apr. 2012, 12 pages.  
 Coolaroo, Cordless Sun Shade Installation Instructions, Jun. 2013, 12 pages.  
 Somfy Systems, Inc. Motor Catalog, Dec. 2003 (78 pages).  
 Lutron Electronics Co., Inc., Sivoia QS Roller 64 Shades Specification Submittal, 2007 (16 pages).  
 Lutron Electronics Co., Inc., Sivoia QED Roller 20 Shades Product Specification, 2008 (14 pages).  
 The Shade Store Blog, "Go for the Gold, Silver, or Bronze Window Treatment Hardware", posted Aug. 1, 2012 [retrieved Aug. 21, 2019]. Retrieved from Internet, <URL: <https://www.theshadestore.com/blog/go-for-the-gold-silver-or-bronze-window-treatment-hardware/>>  
 The Shade Store Blog, "How to Hang Roller Shades: Regular or Reverse Roll", posted Sep. 19, 2016 [retrieved Aug. 21, 2019].

(56)

**References Cited**

## OTHER PUBLICATIONS

Retrieved from Internet, <URL: <https://www.theshadestore.com/blog/how-to-hang-roller-shades/>>.

*Geigtech Ease Bay LLC v. Lutron Electronics Co., Inc.*, U.S. District Court for the Southern District of New York, Complaint (including Exhibits A & B), Case No. 1:18-cv-05290-CM, filed Jun. 12, 2018, 97 pages.

Spectrum White Plastic Wall Mount Folding Paper Towel Holder, Amazon.com. Oct. 2, 2001. Accessed on Jun. 16, 2019. (Year: 2001). Retrieved from Internet, <URL: <https://www.amazon.com/Spectrum-White-Plastic-Folding-Holder/dp/B001DXG21E>>.

Aura Shading by Tillys Interiors Ltd. Accessed on Jun. 16, 2019. (Year: 2019). Retrieved from Internet, <URL: <https://www.aurashading.com/finesse-roller-blinds>>.

Ambio Roller Shades by Altex Window Fashions. Accessed on Jun. 14, 2019. (Year: 2019). Retrieved from Internet, <URL: <http://altexdepot.com/products/ambio-roller-shades/>>.

U.S. Appl. No. 29/602,208, filed Apr. 28, 2017 (unpublished).

U.S. Appl. No. 29/746,561, filed Aug. 14, 2020 (unpublished).

U.S. Appl. No. 29/749,421, filed Sep. 4, 2020 (unpublished).

U.S. Appl. No. 29/770,829, filed Feb. 17, 2021 (unpublished).

U.S. Appl. No. 29/772,092, filed Feb. 26, 2021 (unpublished).

U.S. Appl. No. 29/774,353, filed Mar. 16, 2021 (unpublished).

U.S. Appl. No. 29/776,225, filed Mar. 29, 2021 (unpublished).

U.S. Appl. No. 29/776,596, filed Mar. 31, 2021 (unpublished).

U.S. Appl. No. 29/776,598, filed Mar. 31, 2021 (unpublished).

\* cited by examiner

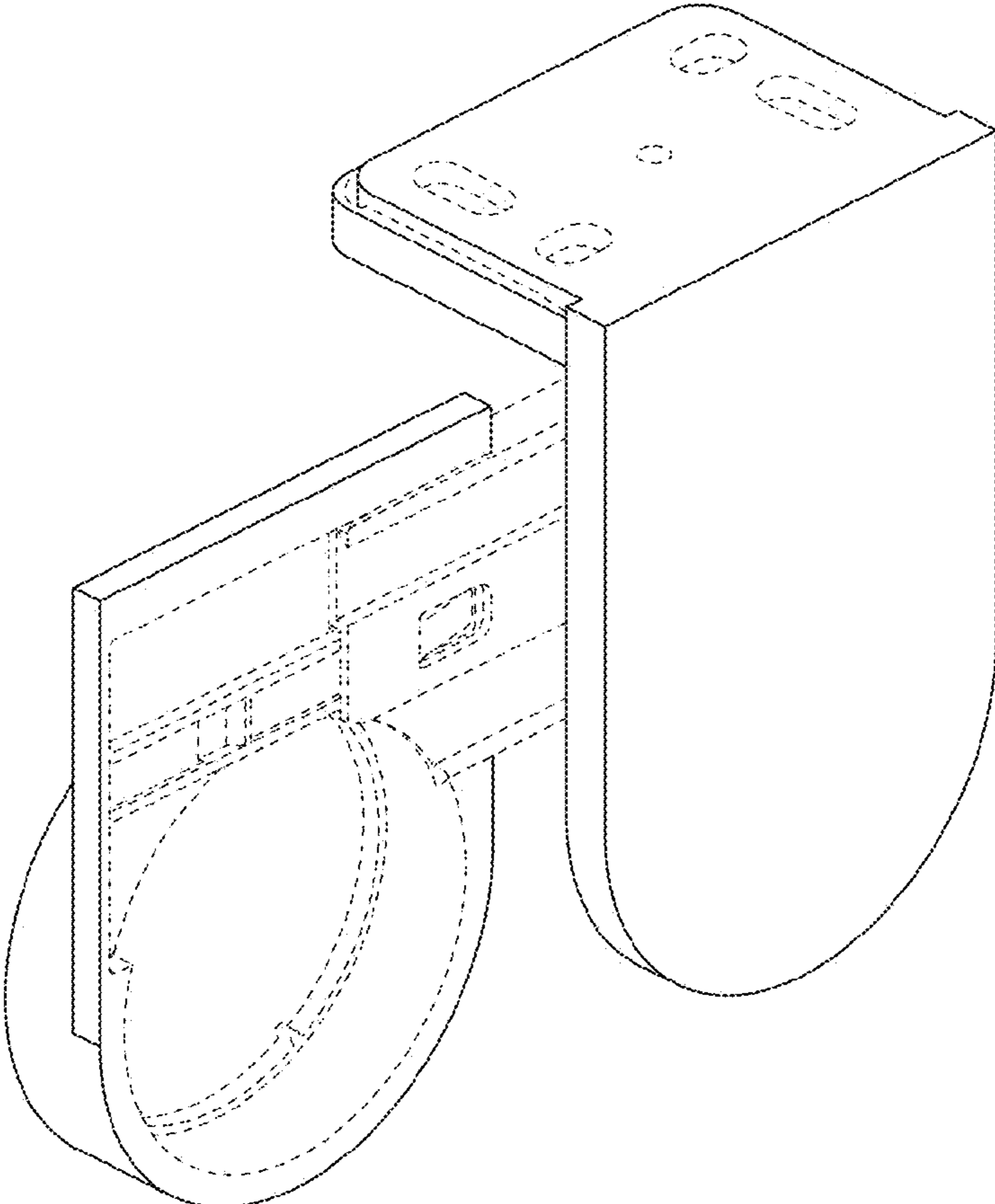


FIG. 1

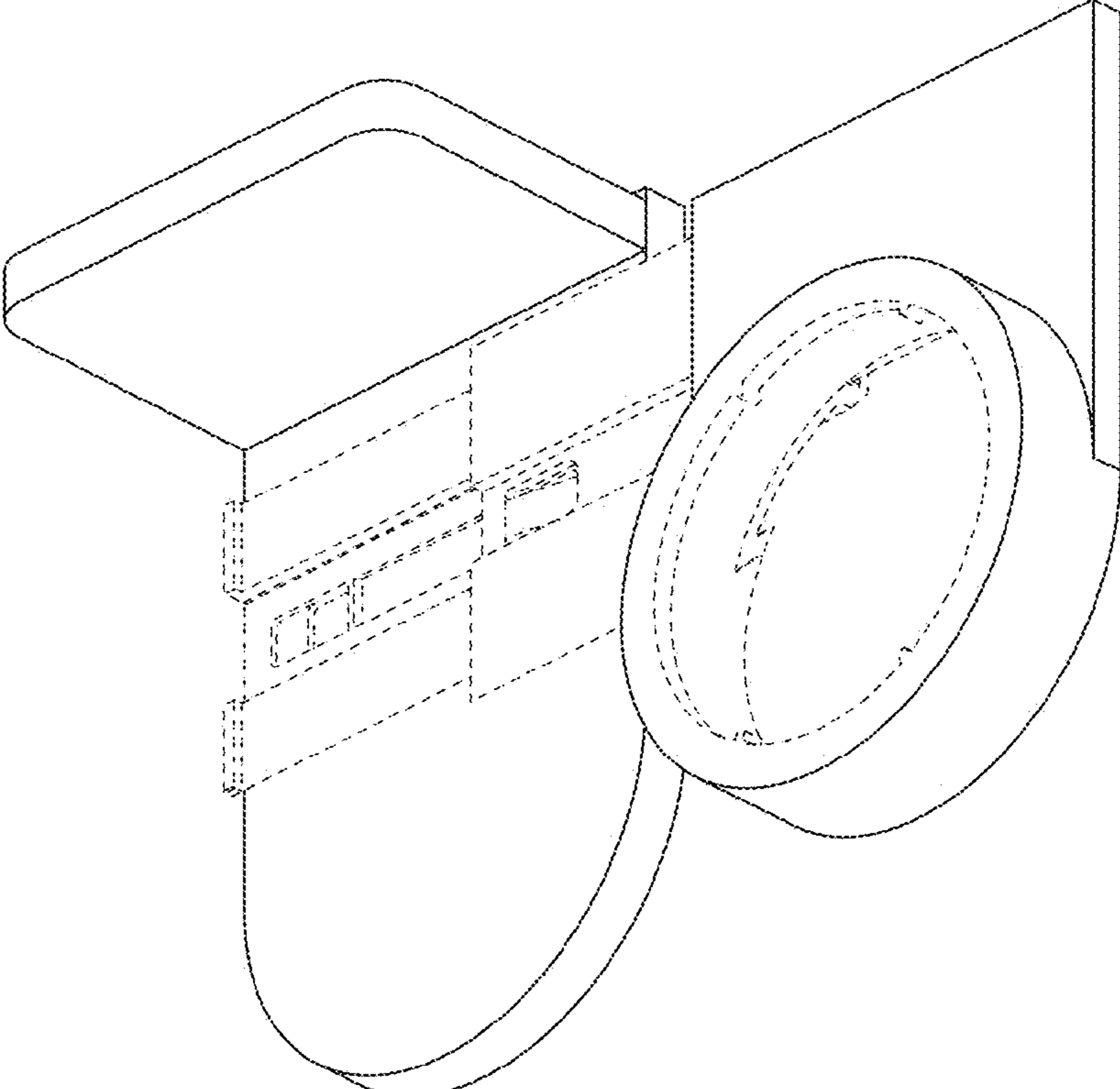


FIG. 2

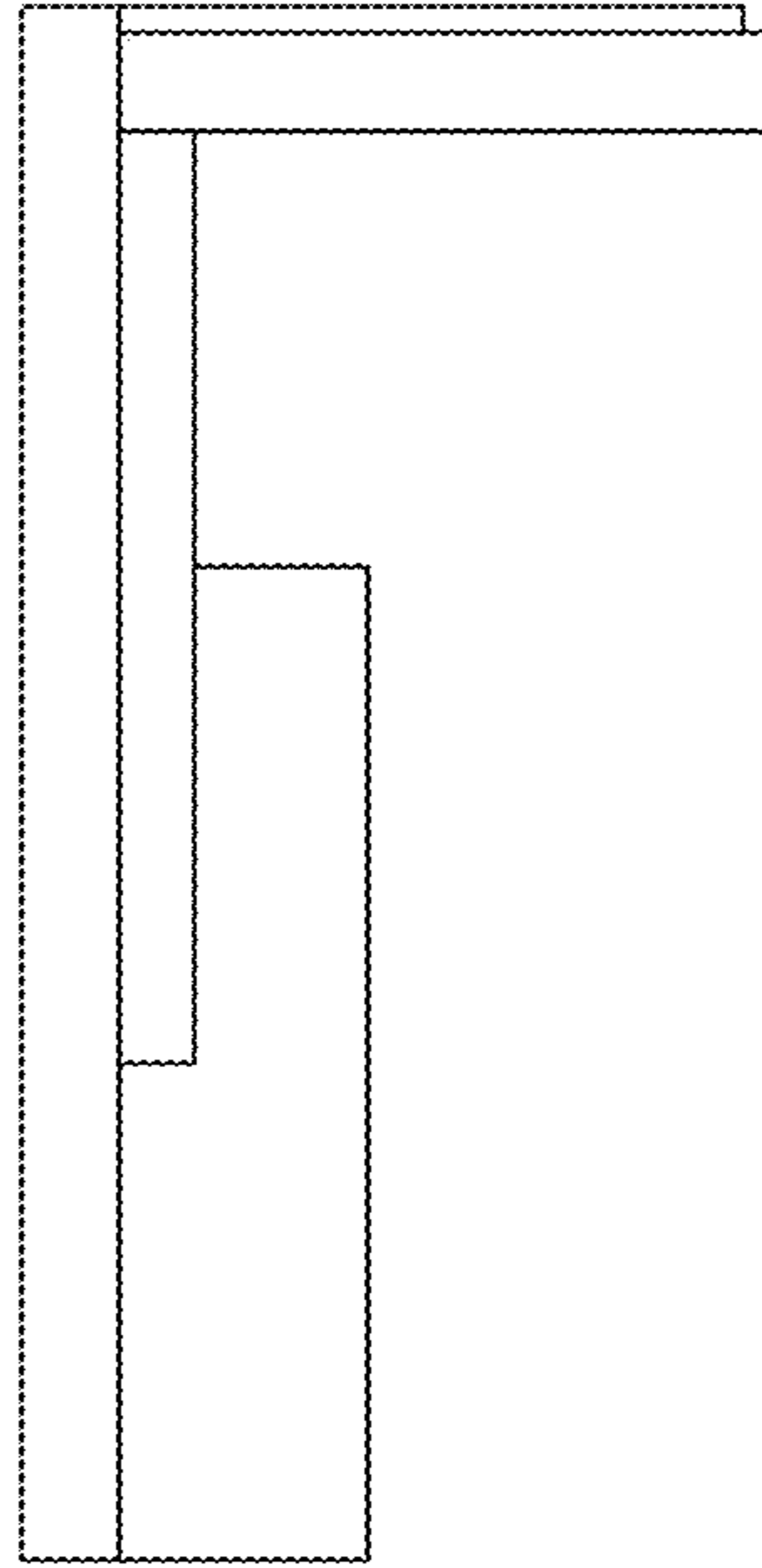


FIG. 3

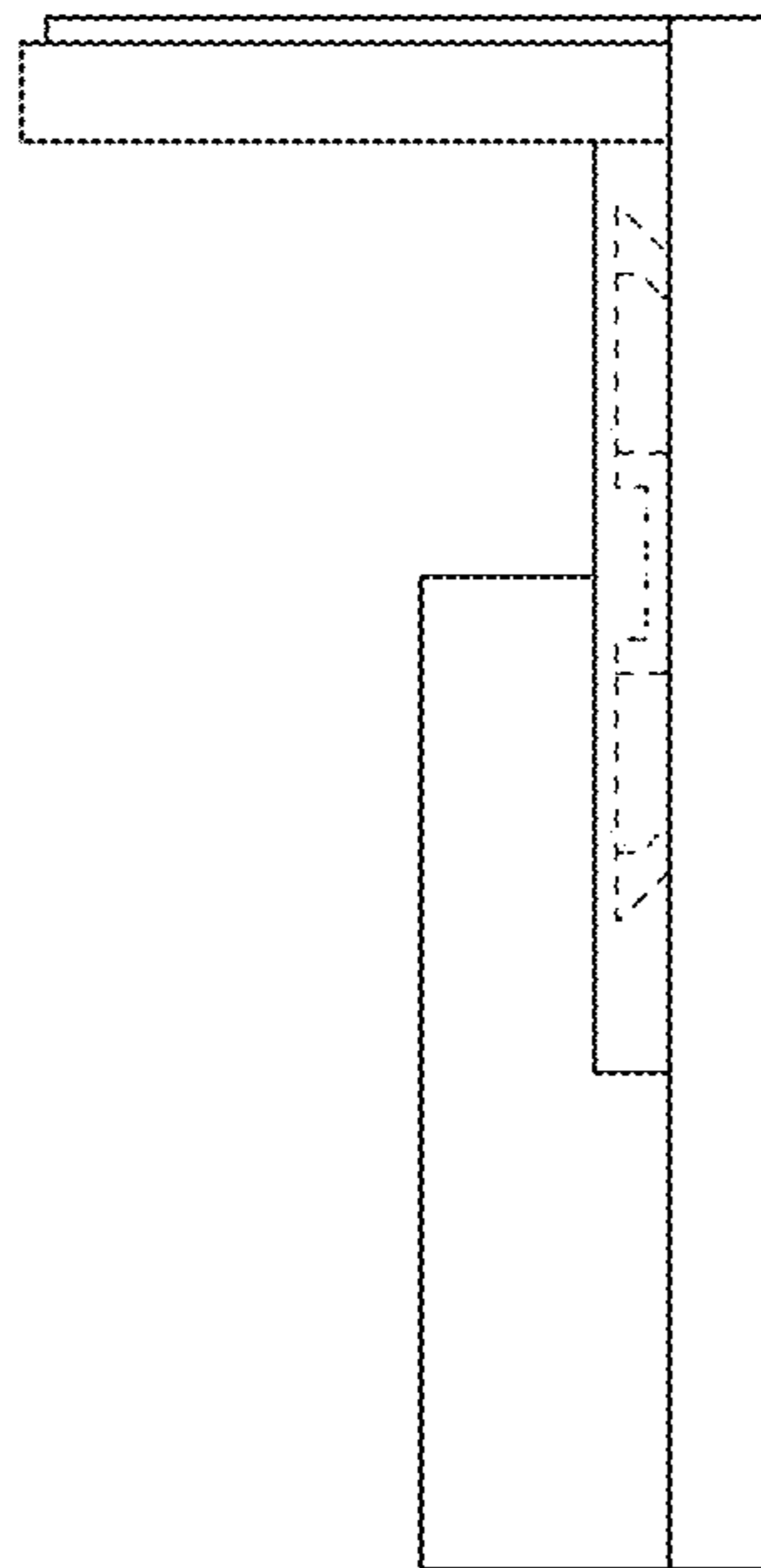


FIG. 4

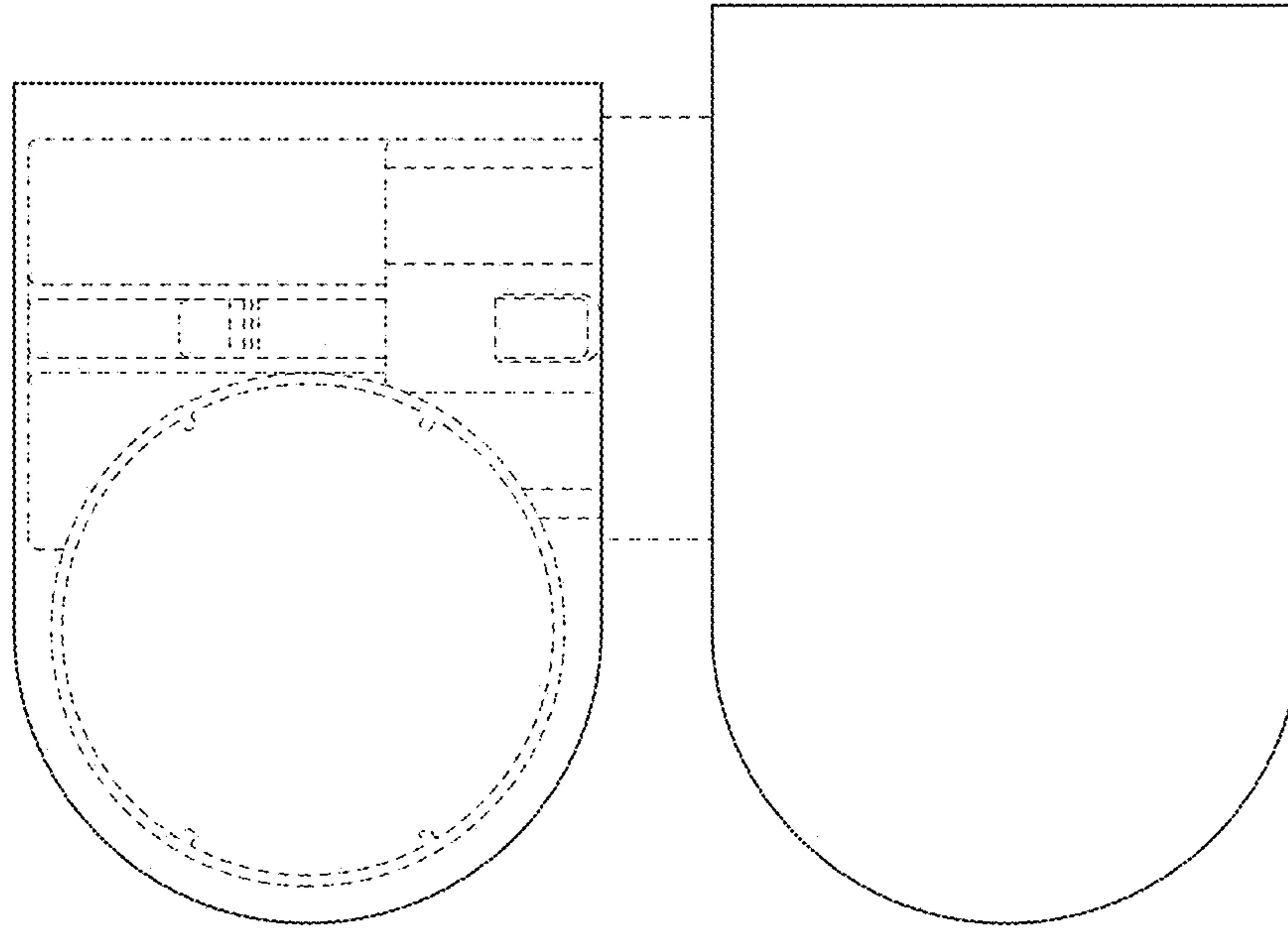


FIG. 5

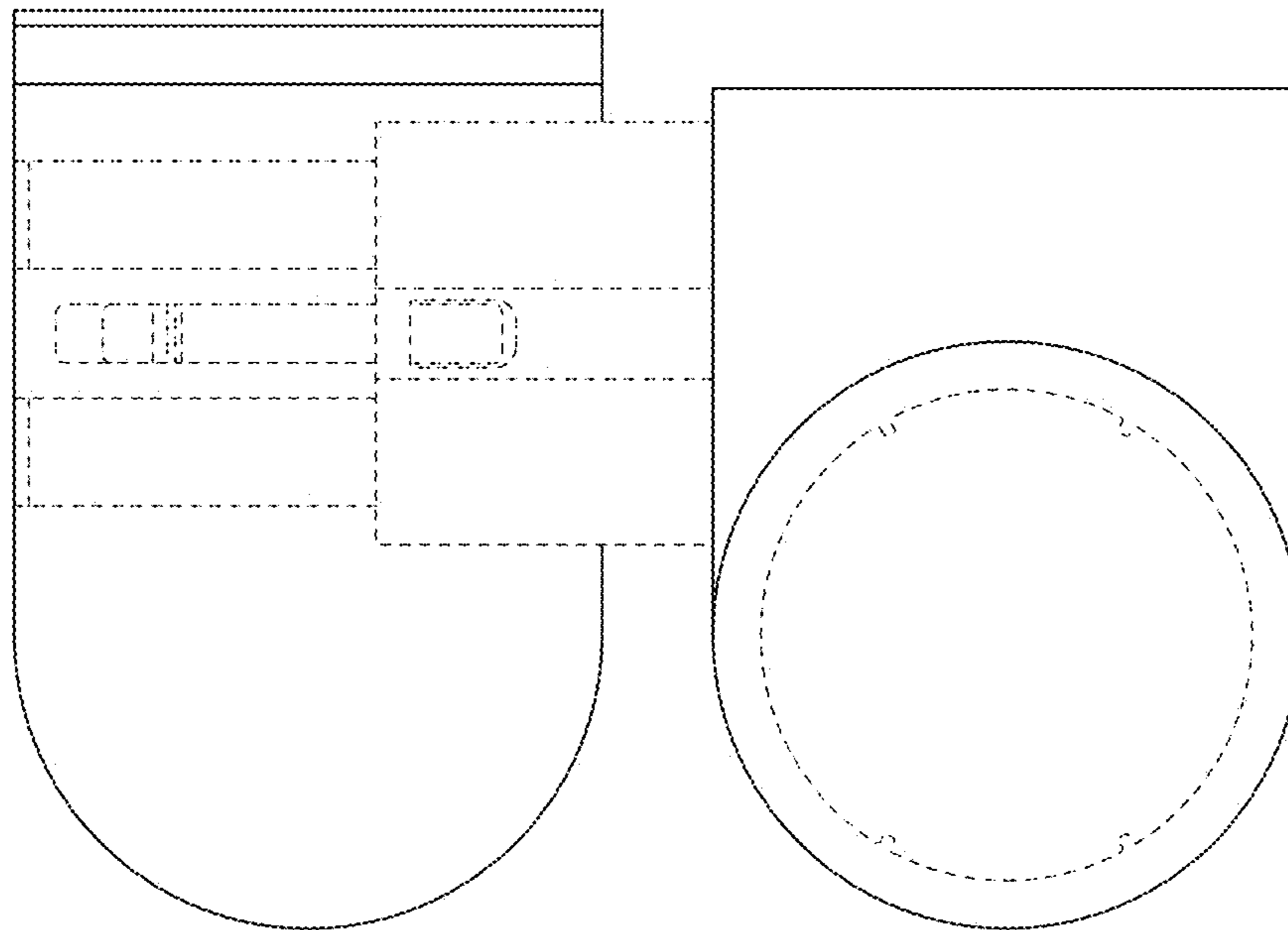


FIG. 6

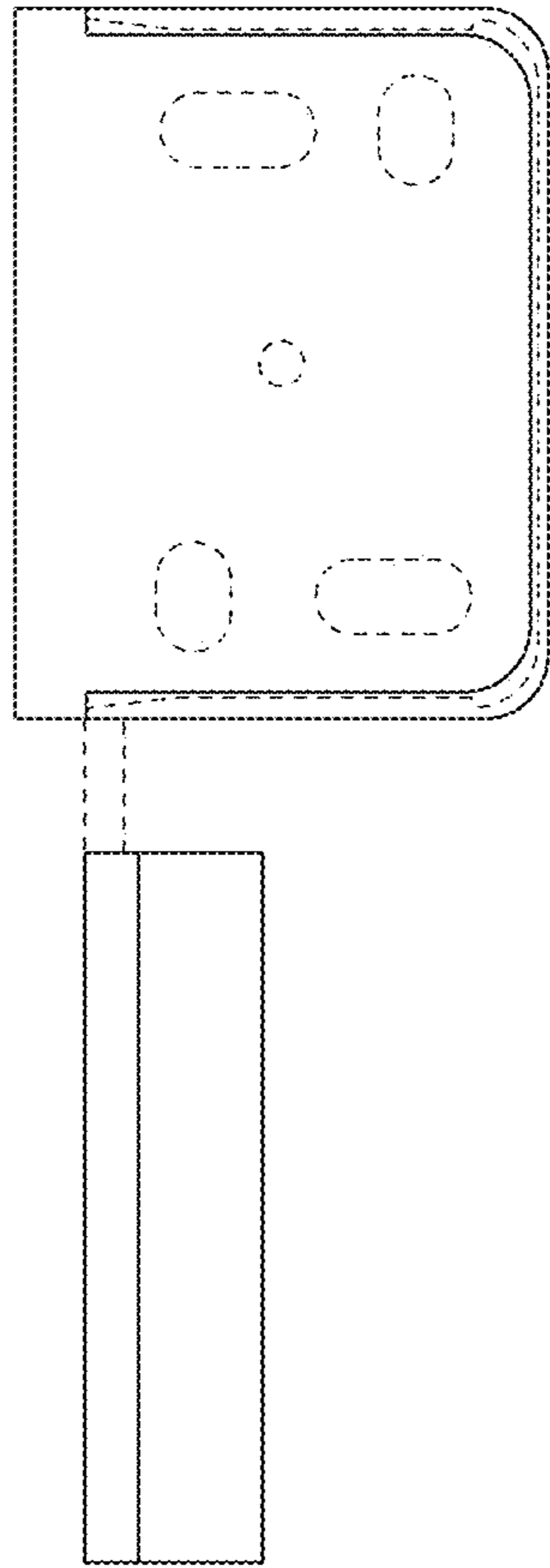


FIG. 7

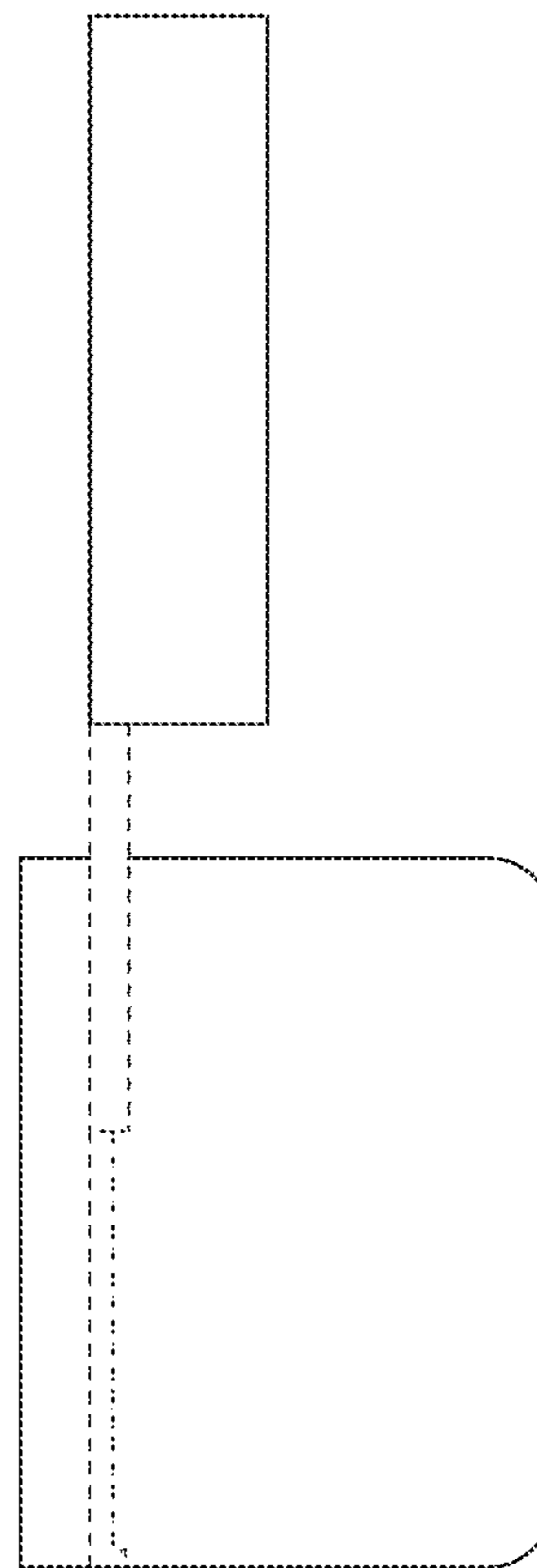


FIG. 8

UNITED STATES PATENT AND TRADEMARK OFFICE  
**CERTIFICATE OF CORRECTION**

PATENT NO. : D962,043 S  
APPLICATION NO. : 29/772085  
DATED : August 30, 2022  
INVENTOR(S) : Mailing Ren Wu et al.

Page 1 of 2

It is certified that error appears in the above-identified patent and that said Letters Patent is hereby corrected as shown below:

On the Title Page

(56) References Cited, Column 1, under "U.S. PATENT DOCUMENTS", Line 3:

-2,301,698 A 2/1936 Fanzoi-

Should be:

--2,031,698 A 2/1936 Fanzoi--.

(56) References Cited, Page 2, Column 2, under "FOREIGN PATENT DOCUMENTS", Line 5:

-CN 305062566 2/2019-

Should be:

--CN 305026566 2/2019--.

(56) References Cited, Page 2, Column 2, under "FOREIGN PATENT DOCUMENTS", Line 10:

-EP 2 354 439 A2 8/2011-

Should be:

--EP 2 354 430 A2 8/2011--.

(56) References Cited, Page 2, Column 2, under "OTHER PUBLICATIONS", Lines 7-9:

-How to Remove Coolaroo Exterior Sim Shades, posted Aug. 30, 2013, [retrieved Mar. 27, 2018].

Retrieved from Internet, <URL: <https://www.youtubecom./watch?v=8GPJ2UY3fVI>>.-

Should be:

--How to Remove Coolaroo Exterior Sun Shades, posted Aug. 30, 2013, [retrieved Mar. 27, 2018].

Retrieved from Internet, <URL: <https://www.youtube.com/watch?v=8GFJ2UY3fVI>>.--.

(56) References Cited, Page 2, Column 2, under "OTHER PUBLICATIONS", Line 22:

-Somfy Systems, Inc. Motor Catalog, Dec. 2003 (78 pages).-

Should be:

--Somfy Systems, Inc., Motor Catalog, Dec. 2003 (78 pages).--.

Signed and Sealed this  
Eighth Day of November, 2022  
*Katherine Kelly Vidal*

Katherine Kelly Vidal  
Director of the United States Patent and Trademark Office



(56) References Cited, Page 3, Column 1, under "OTHER PUBLICATIONS", Line 3:

-Geigtech Ease Bay LLC-

Should be:

--Geigtech East Bay LLC--.

(56) References Cited, Page 3, Column 1, under "OTHER PUBLICATIONS", Line 14:

-Amhio-

Should be:

--Ambio--.