



US00D962040S

(12) **United States Design Patent** (10) **Patent No.:** **US D962,040 S**
Woolman et al. (45) **Date of Patent:** **** Aug. 30, 2022**

(54) **UTILITY HOOK**

(71) Applicant: **SHURTECH BRANDS, LLC**, Avon, OH (US)

(72) Inventors: **Daniel Woolman**, London (GB); **Stuart Woolman**, Charlotte, NC (US); **Heidi Carrion**, Avon, OH (US); **Christopher J. Longstreet**, Avon Lake, OH (US); **Christina Johnson**, Parma Heights, OH (US)

(73) Assignee: **SHURTAPE TECHNOLOGIES, LLC**, Hickory, NC (US)

(**) Term: **15 Years**

(21) Appl. No.: **29/737,604**

(22) Filed: **Jun. 10, 2020**

(51) **LOC (13) Cl.** **08-11**

(52) **U.S. Cl.**
USPC **D8/367**

(58) **Field of Classification Search**
USPC D8/367, 354, 349, 373; D6/323; 248/301-304, 339
CPC A47G 1/00; A47G 25/00
See application file for complete search history.

(56) **References Cited**

U.S. PATENT DOCUMENTS

- 2,679,998 A * 6/1954 Keller F16B 47/003
D8/367
D354,429 S * 1/1995 McNaughton D8/367

- D746,664 S * 1/2016 Najieb D8/367
D842,083 S * 3/2019 Thompson D8/367
D859,131 S * 9/2019 Abeel D8/367
D859,132 S * 9/2019 Abeel D8/367
D864,697 S * 10/2019 Gnocchini D8/367
D879,596 S * 3/2020 Li D8/367
D931,389 S * 9/2021 Dunahay D8/367
D935,312 S * 11/2021 Zhou D8/367
D939,330 S * 12/2021 Zhou D8/367
D948,997 S * 4/2022 Wang D8/367
D951,074 S * 5/2022 Sanders D8/367
D954,543 S * 6/2022 Zhang D8/367

* cited by examiner

Primary Examiner — Cynthia R Underwood

(74) *Attorney, Agent, or Firm* — Fay Sharpe LLP

(57) **CLAIM**

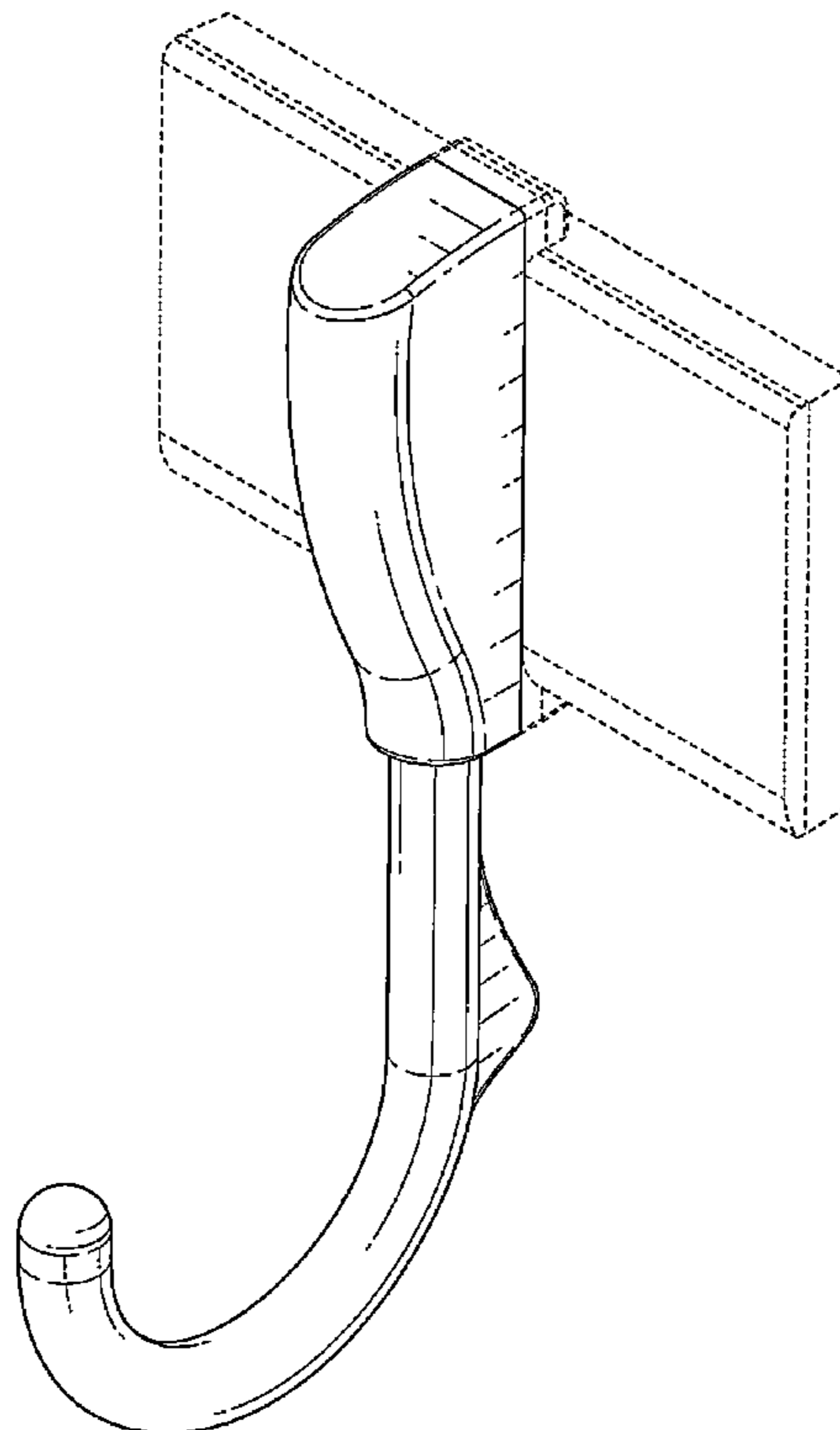
The ornamental design for a utility hook, as shown and described.

DESCRIPTION

FIG. 1 is a perspective view of a utility hook;
FIG. 2 is a front plan view thereof;
FIG. 3 is a rear plan view thereof;
FIG. 4 is a side plan view thereof;
FIG. 5 is the other side plan view thereof;
FIG. 6 is a top end view thereof; and,
FIG. 7 is a bottom end view thereof.

The broken lines depict subject matter that forms no part of the claimed utility hook and are provided solely for illustrating the full utility hook.

1 Claim, 6 Drawing Sheets



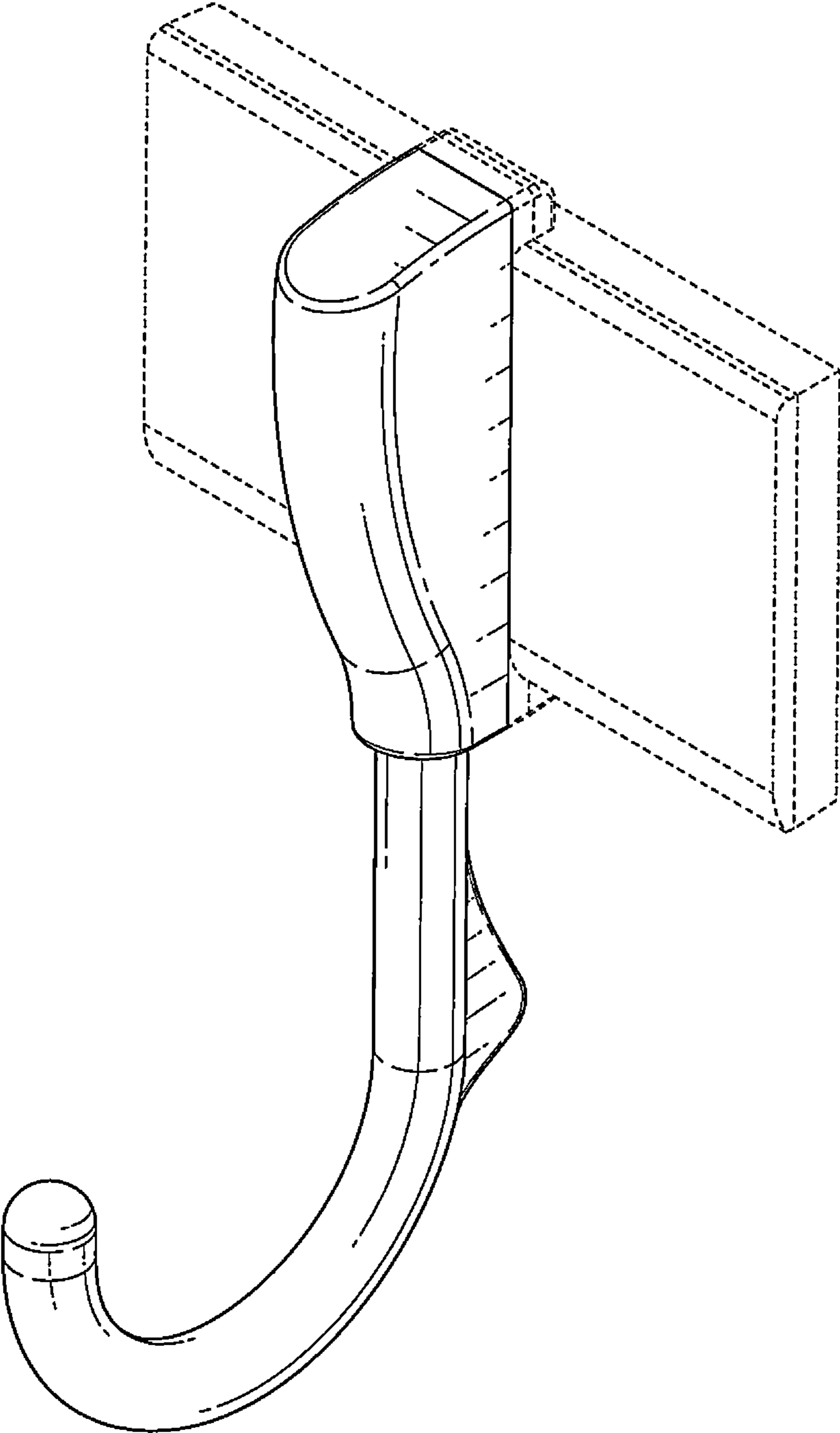


FIG. 1

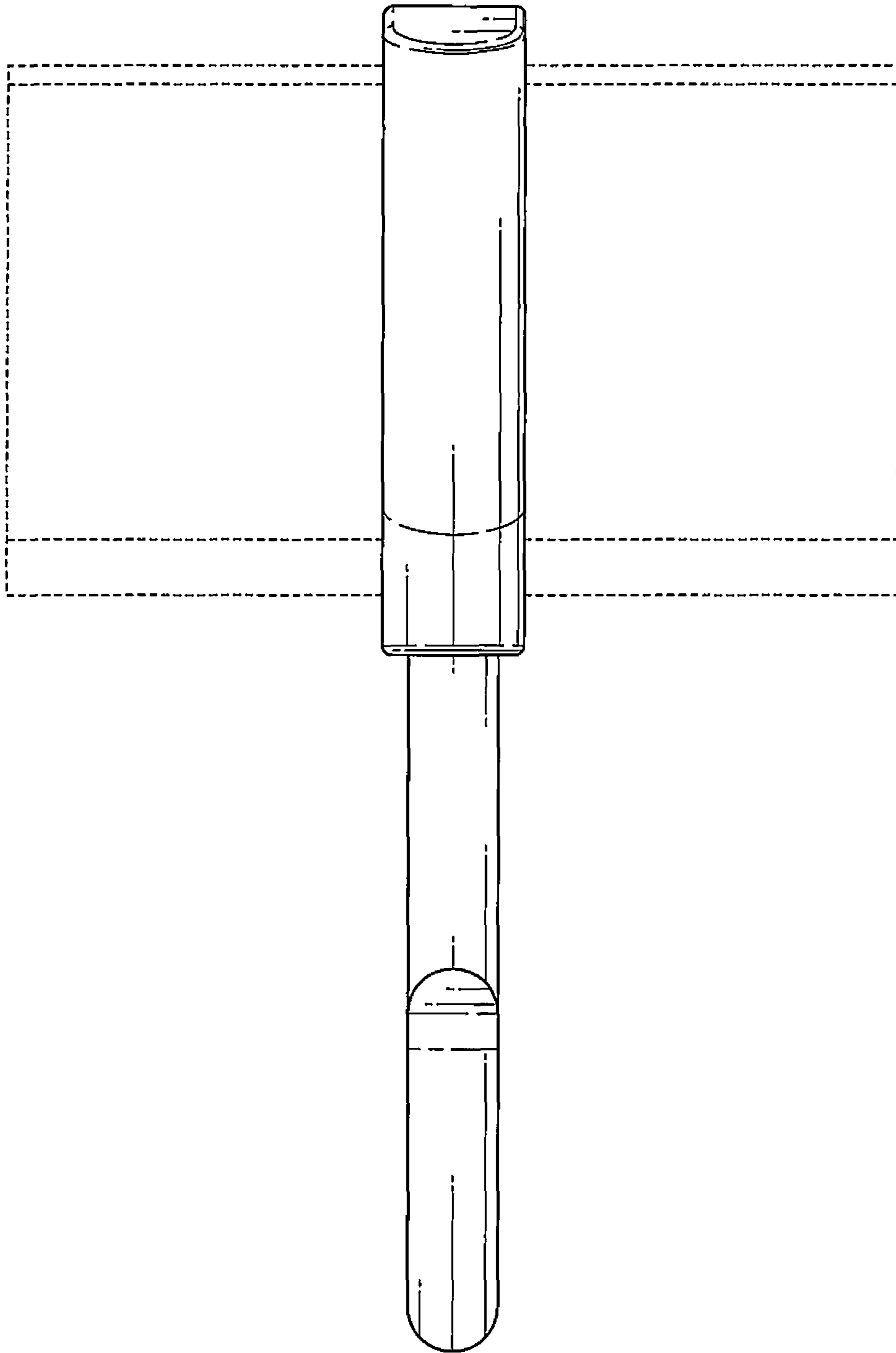


FIG. 2

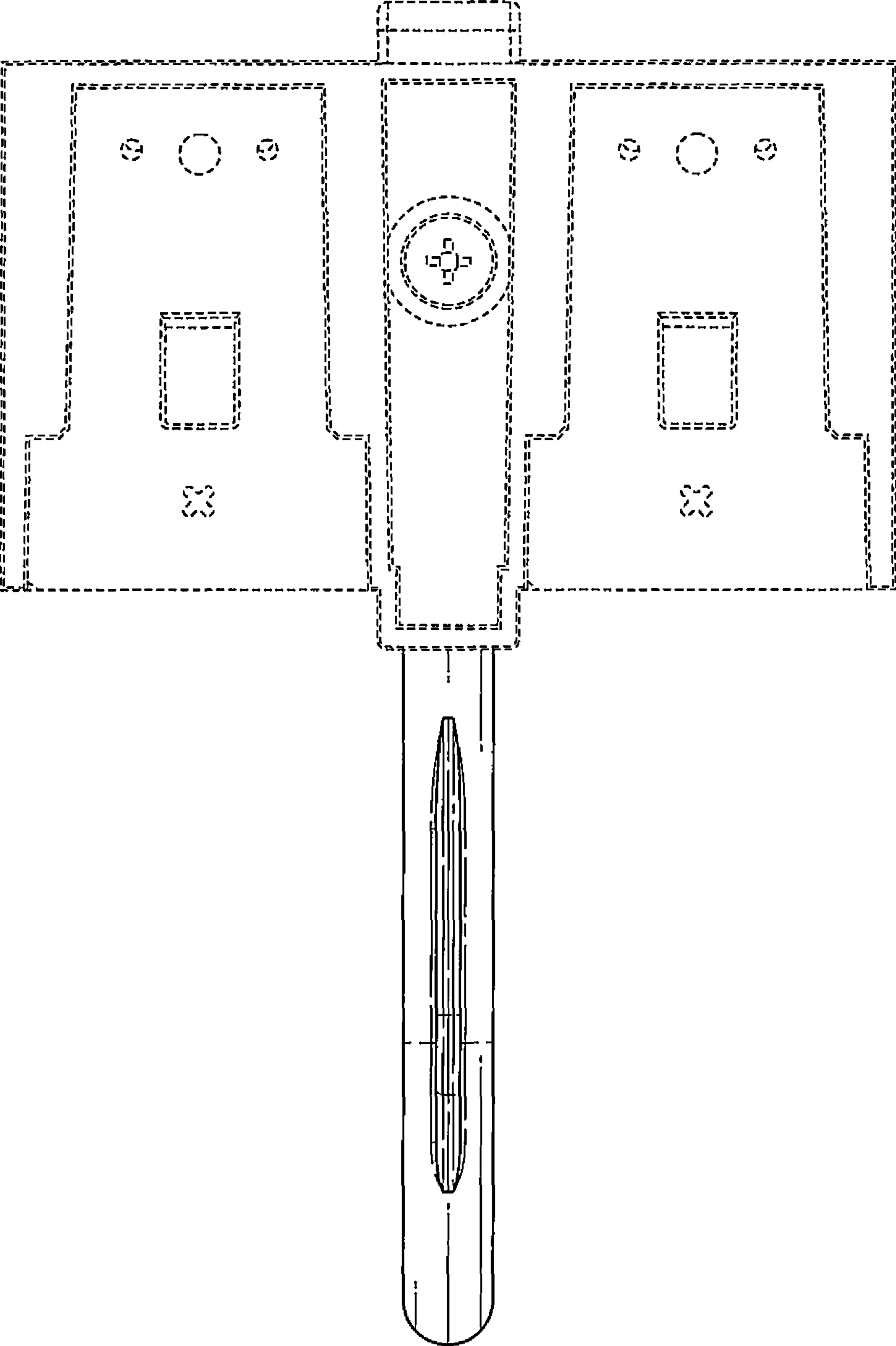


FIG. 3

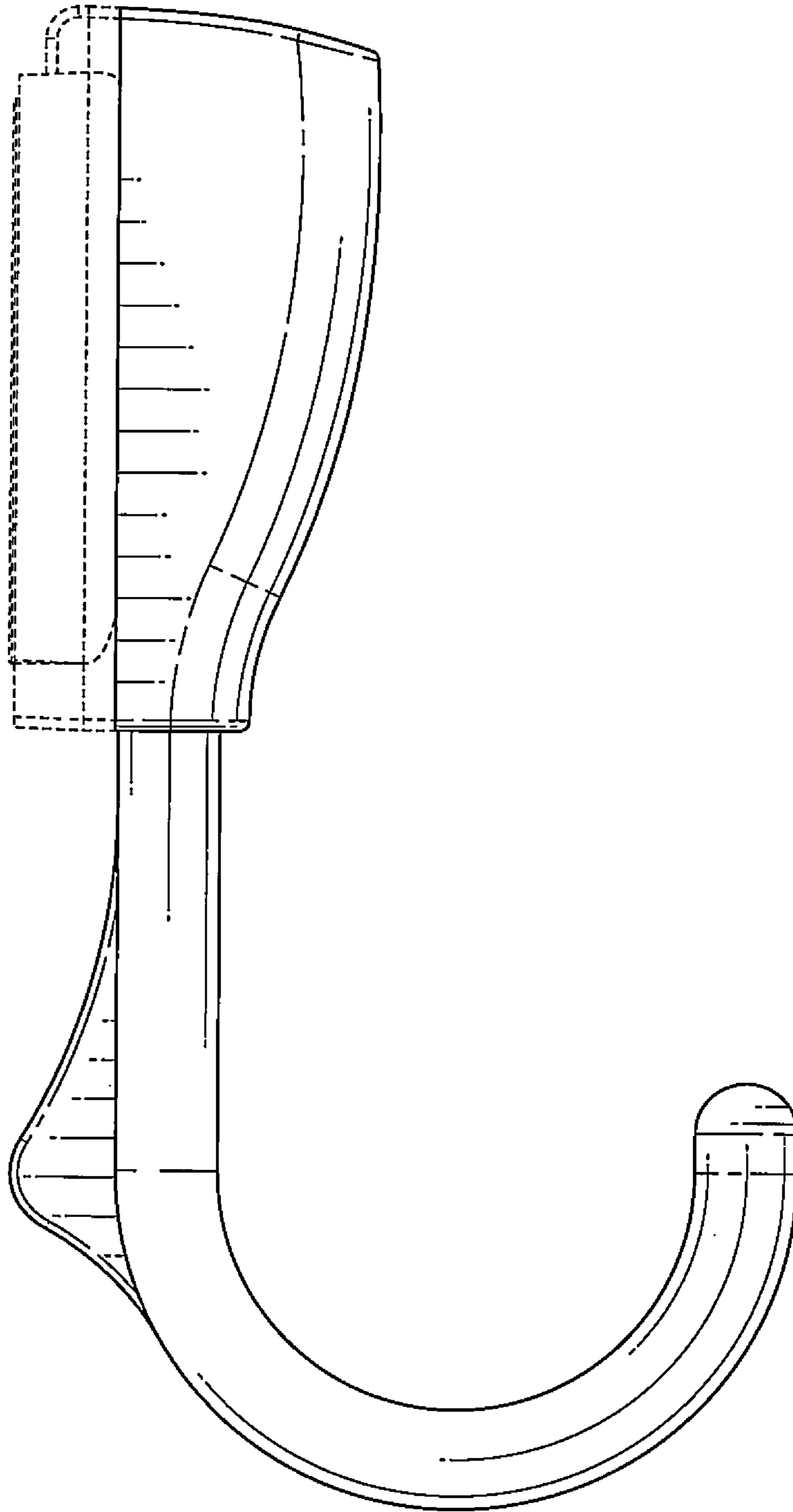


FIG. 4

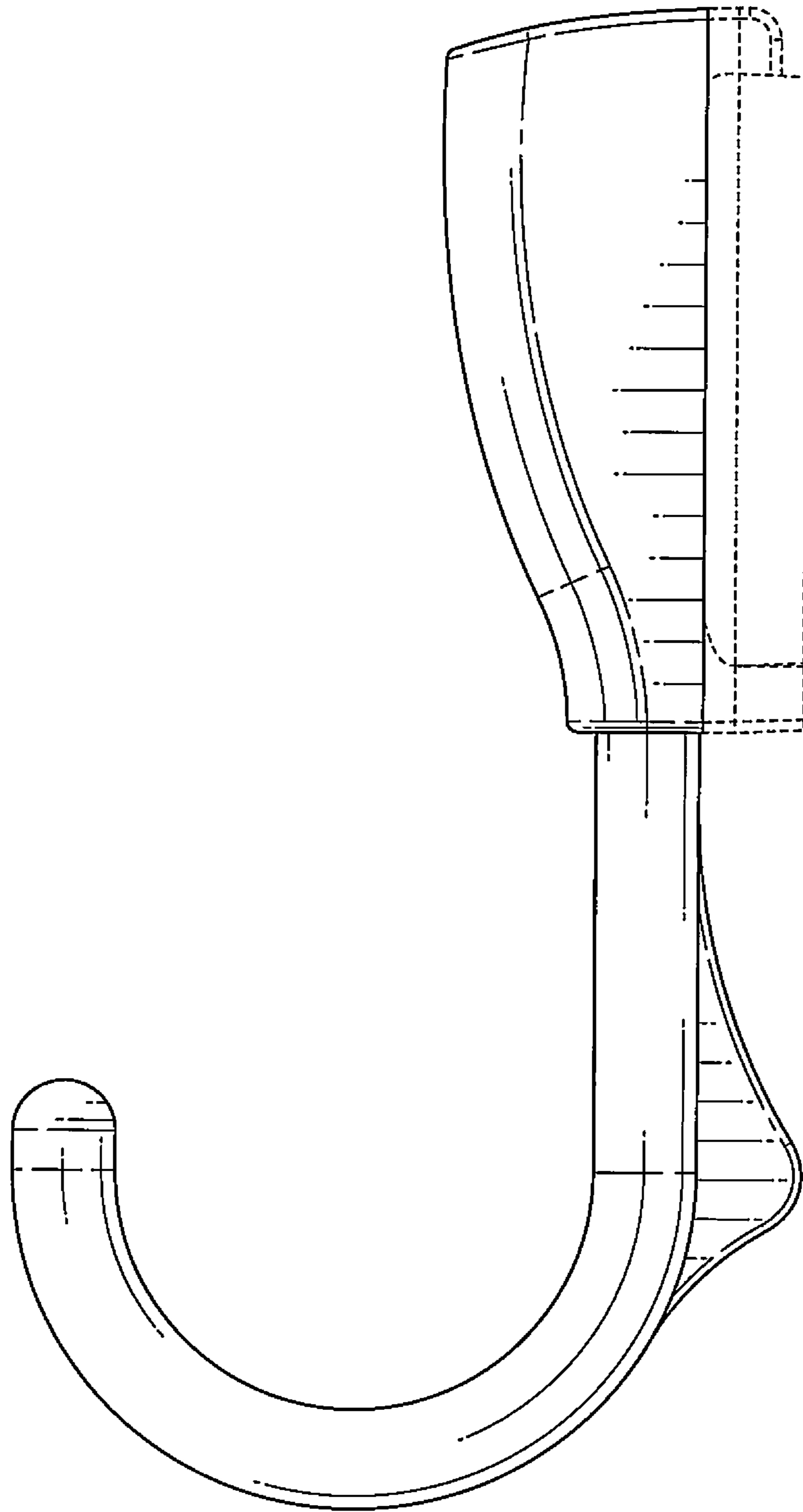


FIG. 5

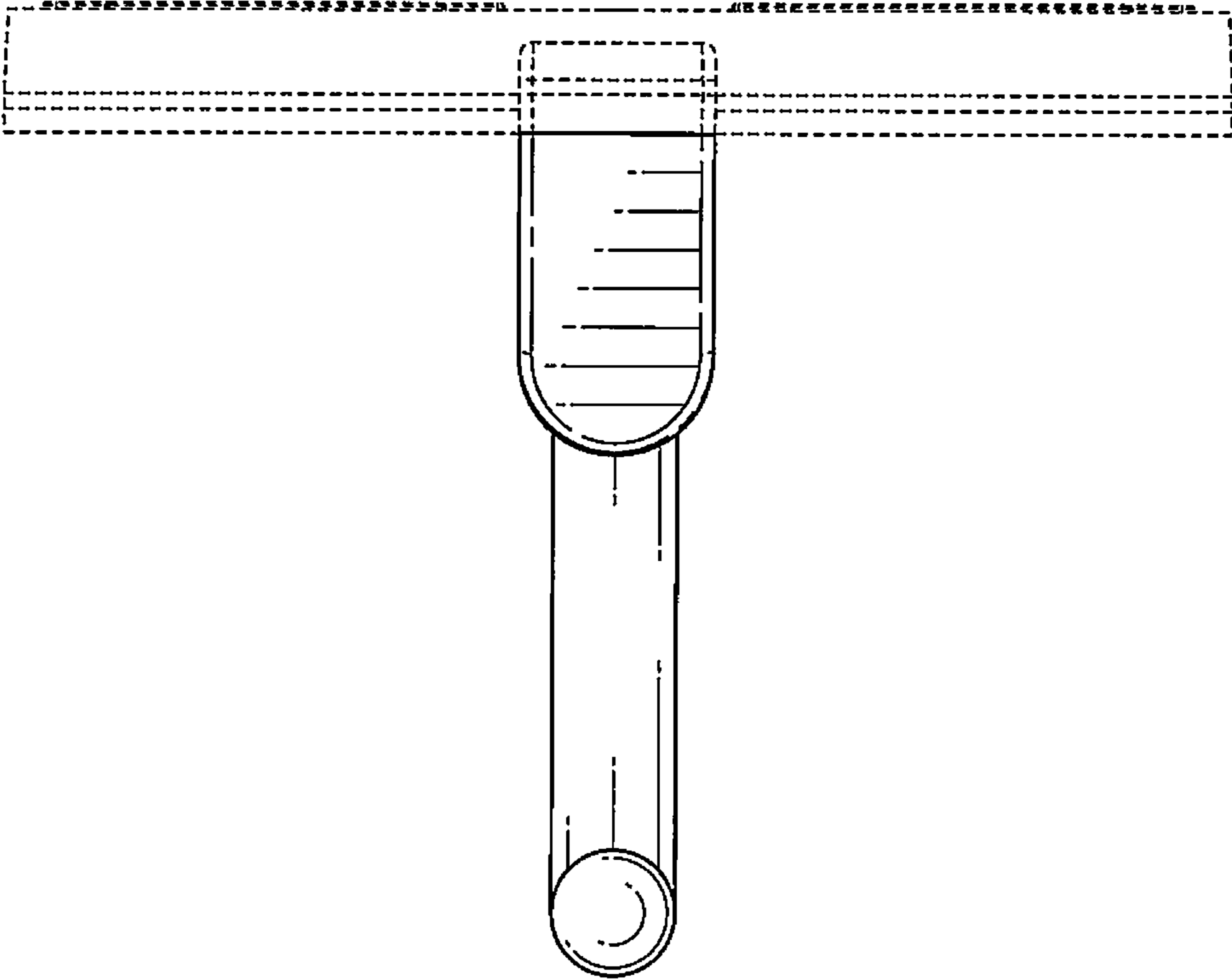


FIG. 6

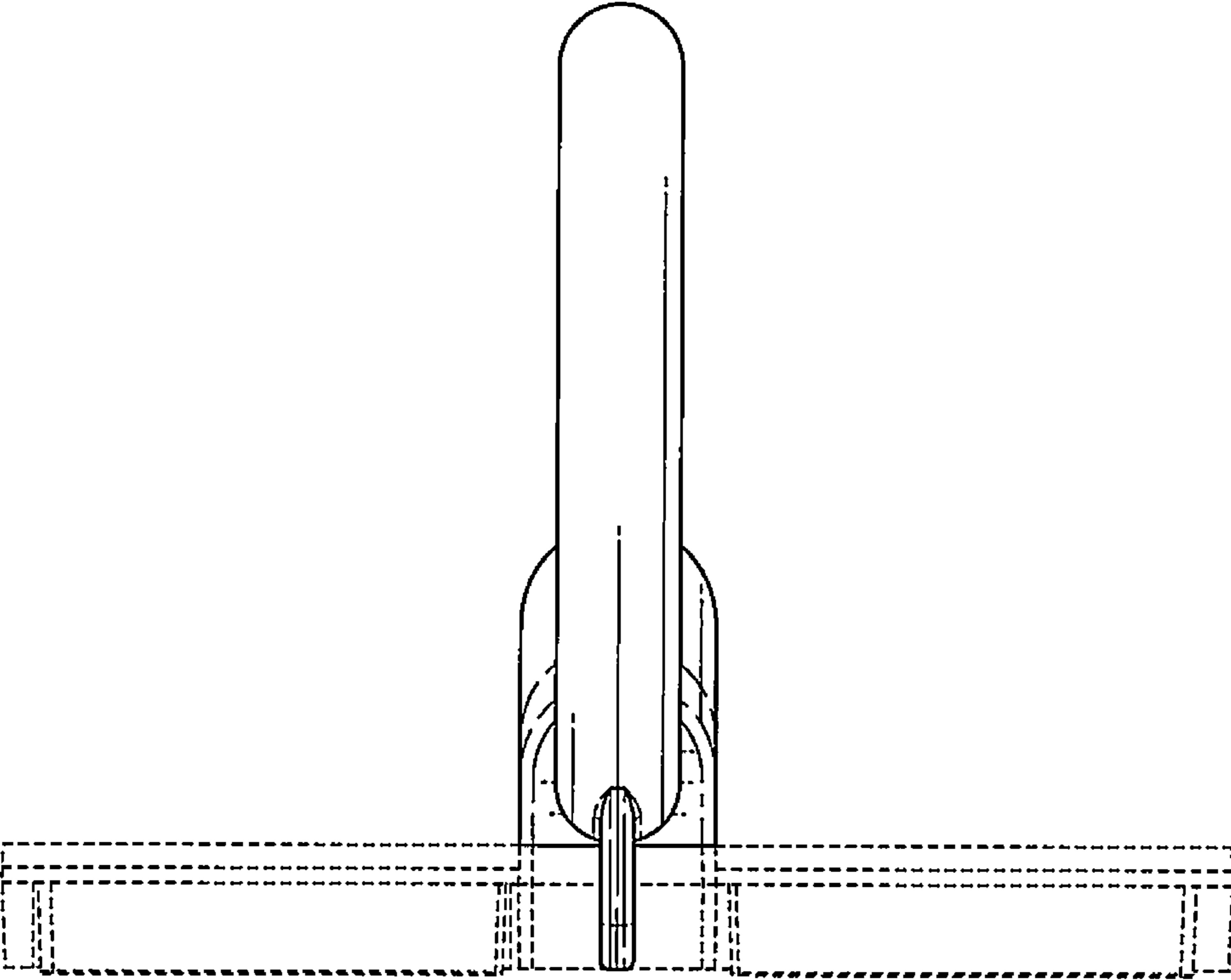


FIG. 7