



US00D962038S

(12) **United States Design Patent** (10) **Patent No.:** **US D962,038 S**
Bowie et al. (45) **Date of Patent:** **** Aug. 30, 2022**

(54) **THREADED SPACER FOR TILE LEVELING SYSTEM**

FOREIGN PATENT DOCUMENTS

(71) Applicant: **Marshalltown Company**,
Marshalltown, IA (US)

AU 2015101927 * 5/2019
EM 003818756-0002 * 4/2017

(Continued)

(72) Inventors: **Jim Bowie**, Marshalltown, IA (US);
Mark Fulmer, Fayetteville, AR (US);
Noah Garwood, Des Moines, IA (US);
John T. Hughes, Fayetteville, AR (US);
John M. Reynolds, Rogers, AR (US)

OTHER PUBLICATIONS

Spin Doctor Tile Leveling System: Announced [Jan. 8, 2018 online].
Site Visited [Jun. 2, 2021, online]. Available from Internet URL:
<https://www.amazon.com/Doctor-Leveling-System-Inches-millimeter/dp/B078WC96MQ> (Year: 2018).*

(Continued)

(73) Assignee: **Marshalltown Company**,
Marshalltown, IA (US)

Primary Examiner — Leanne Was-Englehart

(**) Term: **15 Years**

(74) *Attorney, Agent, or Firm* — Stinson LLP

(21) Appl. No.: **29/711,004**

(57) **CLAIM**

The ornamental design for a threaded spacer for tile leveling system, as shown and described.

(22) Filed: **Oct. 28, 2019**

DESCRIPTION

(51) **LOC (13) Cl.** **08-05**

(52) **U.S. Cl.**
USPC **D8/354**

(58) **Field of Classification Search**
USPC D8/51, 353, 354, 355, 359, 393, 105;
D10/64
CPC E04F 21/0092; E04F 21/00; E04F 21/20;
E04F 21/1877; E04F 21/18; E04F
13/0892; E04F 15/02022
See application file for complete search history.

FIG. 1 is a perspective of a threaded spacer for a tile leveling system, with a threaded portion of the threaded spacer;
FIG. 2 is a front elevational view of the threaded spacer for tile leveling system;
FIG. 3 is a right elevational view of the threaded spacer for tile leveling system;
FIG. 4 is a top plan view of the threaded spacer for tile leveling system;
FIG. 5 is a rear elevational view of the threaded spacer for tile leveling system;
FIG. 6 is a left elevational view of the threaded spacer for tile leveling system; and,
FIG. 7 is a bottom plan view of the threaded spacer for tile leveling system.

The broken away symbols in the drawings indicate that any portion of the article beyond what is shown forms no part of the claimed design.

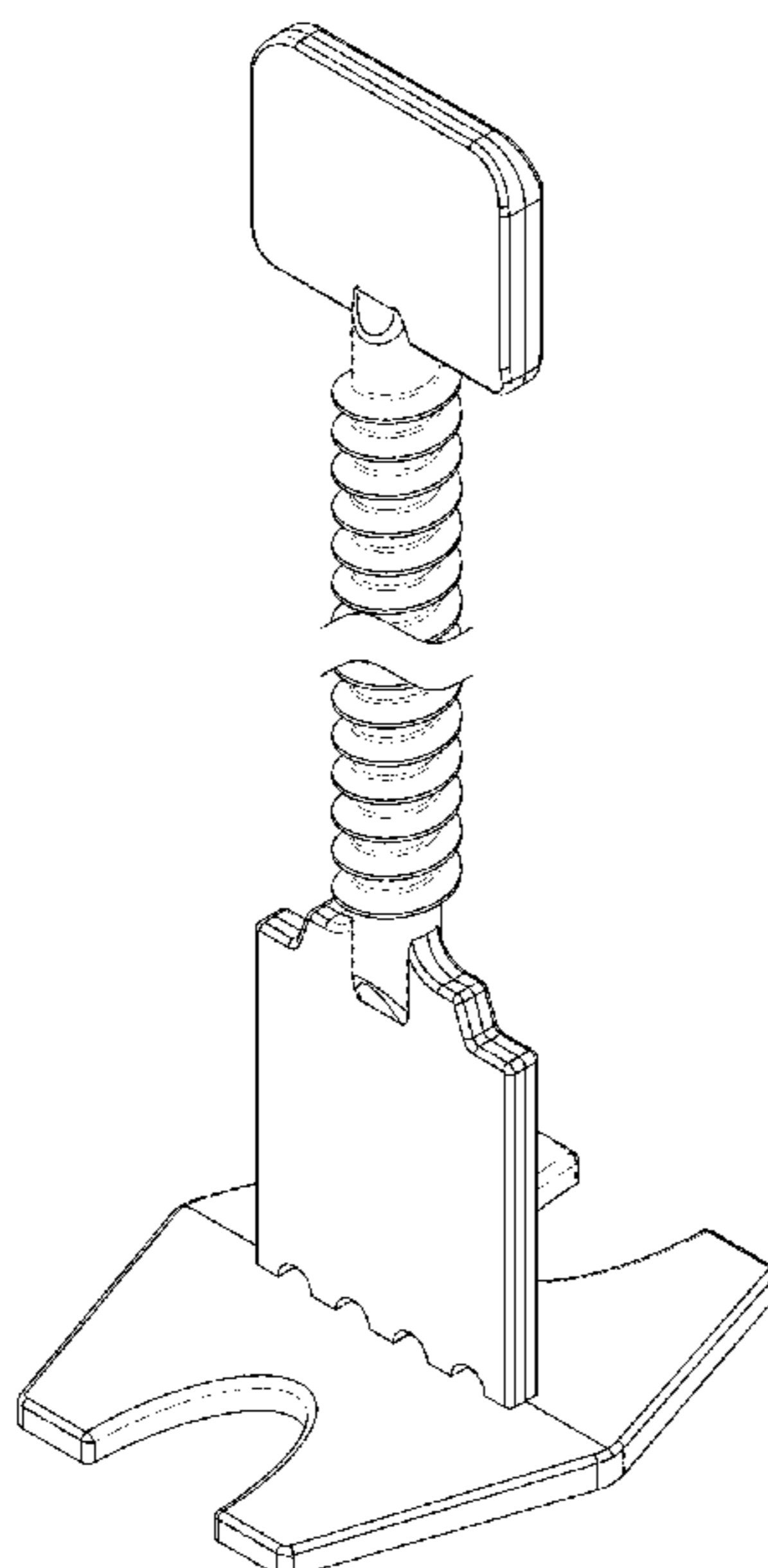
(56) **References Cited**

U.S. PATENT DOCUMENTS

4,397,125 A 8/1983 Gussler, Jr.
5,056,199 A * 10/1991 Stein F16B 5/126
24/682.1
7,257,926 B1 * 8/2007 Kirby E04F 21/0092
33/526

(Continued)

1 Claim, 7 Drawing Sheets



(56)

References Cited

U.S. PATENT DOCUMENTS

7,621,100 B2 11/2009 Kufner et al.
D630,077 S * 1/2011 Kufner D8/105
D630,078 S * 1/2011 Kufner E04F 21/0092
D8/105
7,861,487 B2 1/2011 Kufner et al.
7,946,093 B1 * 5/2011 Sturino E04F 21/0092
52/749.11
D640,119 S * 6/2011 Kufner E04F 21/0092
D8/105
7,992,354 B2 8/2011 Doda, Jr.
D658,963 S * 5/2012 Kufner D8/105
8,181,420 B2 * 5/2012 Torrents I Comas
E04F 21/0092
52/749.11
8,429,878 B1 4/2013 Hoffman et al.
8,429,879 B1 4/2013 Hoffman et al.
8,635,815 B2 1/2014 Bordin
8,820,031 B2 8/2014 Kufner et al.
9,010,064 B1 4/2015 Farahmandpour
D734,119 S * 7/2015 Kufner D8/105
D742,719 S 11/2015 Komura
9,279,259 B1 3/2016 Russo
9,322,185 B1 4/2016 Russo
9,322,186 B1 4/2016 Chang
9,328,522 B2 5/2016 Bordin
9,470,002 B2 10/2016 Irvine et al.
9,482,018 B2 11/2016 Torrents I Comas
9,482,019 B2 11/2016 Fontana
D775,935 S 1/2017 Sarajian
D778,709 S 2/2017 Russo
9,562,365 B2 2/2017 Bucsa
9,874,032 B1 * 1/2018 Chen E04F 21/0092
D817,140 S 5/2018 Mouthaan
9,982,442 B2 5/2018 Kufner et al.
10,053,872 B2 8/2018 Sighinolfi
D834,922 S 12/2018 Russo
10,161,145 B2 12/2018 Lazaro Florensa
D837,016 S * 1/2019 Psaila D8/71
D845,100 S 4/2019 Gonzalez
D856,104 S 8/2019 Dahill
D856,105 S 8/2019 Dahill
D856,106 S 8/2019 Dahill
D856,107 S 8/2019 Dahill
D856,111 S * 8/2019 Russo D8/105
D856,772 S 8/2019 Dahill
D856,773 S 8/2019 Dahill
D857,473 S 8/2019 Dahill
D858,241 S 9/2019 Dahill
D862,204 S 10/2019 Russo
D867,844 S 11/2019 Dahill
10,538,925 B2 * 1/2020 Ghelfi E04F 15/02022
10,577,813 B2 * 3/2020 Dahill E04F 15/02022
10,604,945 B2 * 3/2020 Volponi E04F 21/0092
D880,267 S 4/2020 Dahill
D885,862 S * 6/2020 Bacia D8/47

D896,289 S 9/2020 Wachsmann
D899,900 S * 10/2020 Blanco D8/354
D906,385 S 12/2020 Buhr
10,895,081 B2 * 1/2021 Mendiluz E04F 21/0092
10,947,740 B2 * 3/2021 Sighinolfi E04F 15/02022
11,002,025 B2 * 5/2021 Sighinolfi E04F 21/0092
D932,272 S 10/2021 Burke
2002/0121027 A1 * 9/2002 Kruskamp E04F 21/0092
33/526
2003/0036762 A1 * 2/2003 Kerr A61B 17/8822
606/93
2009/0126213 A1 * 5/2009 Tavy E04F 21/0092
33/527
2013/0067854 A1 * 3/2013 Bordin E04F 15/02022
52/749.11
2014/0033641 A1 2/2014 Trevisi
2015/0184355 A1 * 7/2015 Wang E04F 21/1822
52/126.1
2015/0211243 A1 7/2015 Irvine
2015/0240504 A1 8/2015 Hoffman
2015/0267420 A1 * 9/2015 Fontana E04F 21/22
52/126.1
2015/0354231 A1 * 12/2015 Bordin E04F 21/0092
52/126.6
2017/0044779 A1 * 2/2017 Teng E04F 21/22
2017/0211282 A1 * 7/2017 Teng E04F 21/20
2018/0291640 A1 * 10/2018 Sighinolfi E04F 21/20
2019/0271167 A1 * 9/2019 Ghelfi E04F 21/1844
2020/0149295 A1 * 5/2020 Mendiluz E04F 21/20
2020/0240154 A1 * 7/2020 Nudo E04F 21/0092
2021/0032883 A1 * 2/2021 Byer E04F 13/02
2021/0108664 A1 * 4/2021 Hebert F16B 39/284

FOREIGN PATENT DOCUMENTS

EM 007816905-0003 6/2020
EM 007816905-0004 * 6/2020
TW 201433680 * 5/2013
WO WO-2013023236 * 5/2012

OTHER PUBLICATIONS

MARSHALLTOWN FASTcap Tiling Leveling System: Announced [Mar. 23, 2021, online]. Site Visited [Jun. 2, 2021, online]. Available from Internet URL: <https://www.amazon.com/MARSHALLTOWN-FASTcap-Tiling-Leveling-System/dp/B08ZVNNY7X> (Year: 2021).
MarshallTown FASTcap™ Ratchet Caps, Date Visited: Dec. 1, 2021, Marshall Town, Date Available: Dec. 1, 2021, <https://marshalltown.com/pro-3661-fastcap-ratchet-caps?variantId=29237> (Year: 2021).
MarshallTown FASTcap Tiling Leveling System, Date Visited: Dec. 1, 2021, Amazon, Date Available: Mar. 23, 2021, <https://www.amazon.com/MARSHALLTOWN-FASTcap-Leveling-Ratchett-Standard/dp/B08ZP5Y7TD> (Year: 2021).

* cited by examiner

FIG. 1

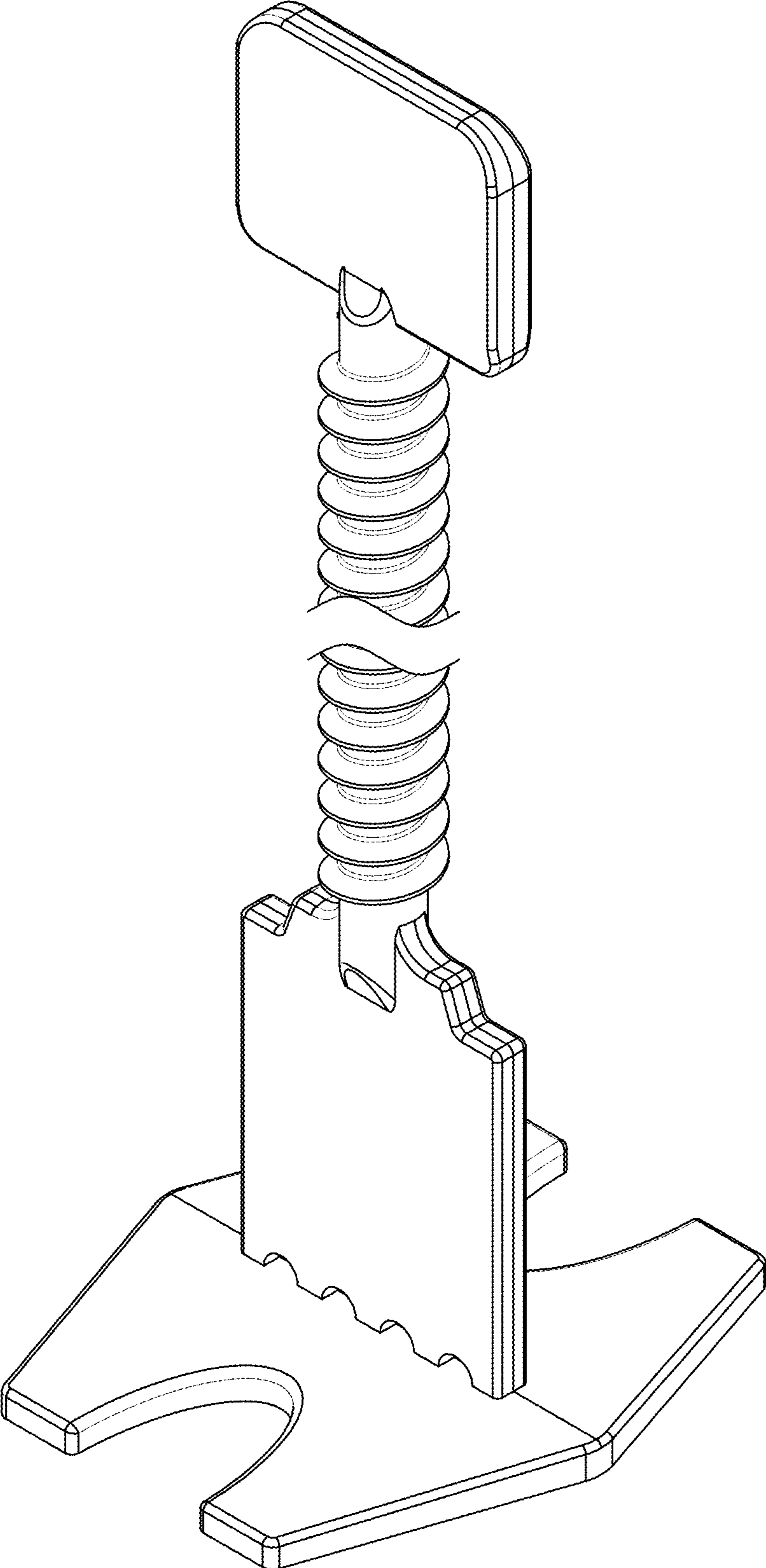


FIG. 2

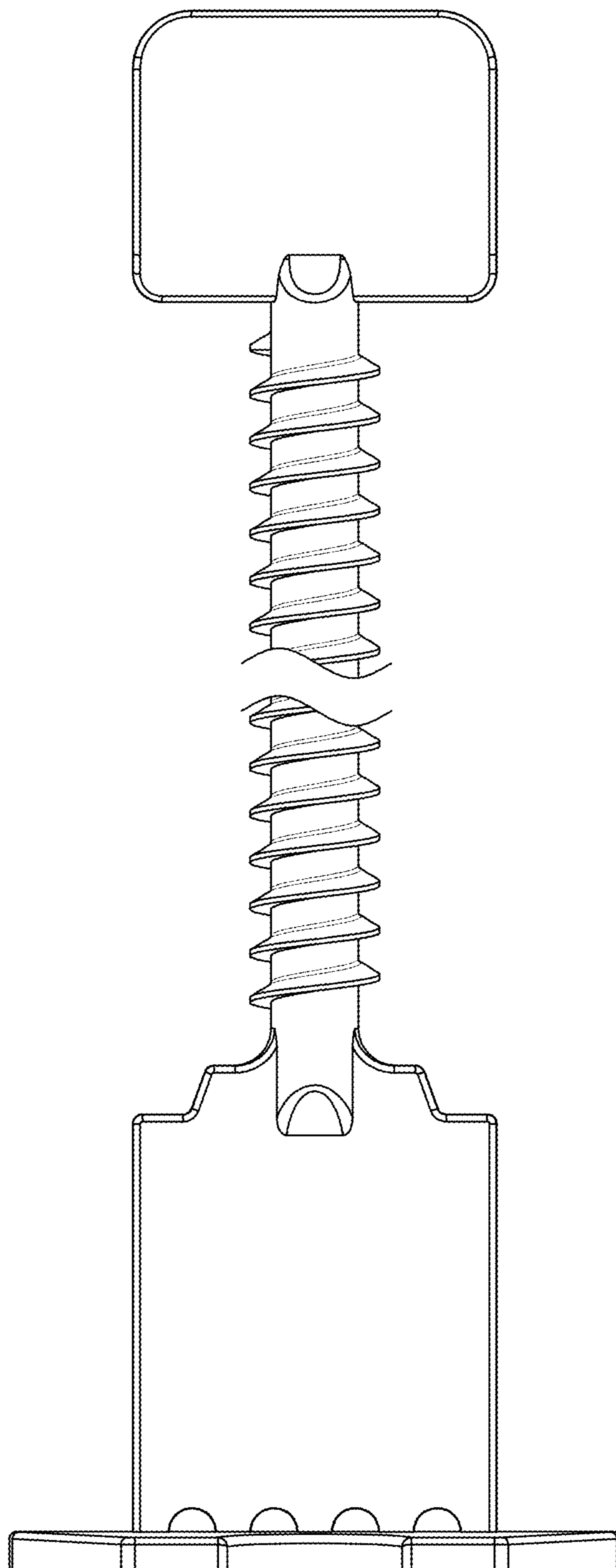


FIG. 3

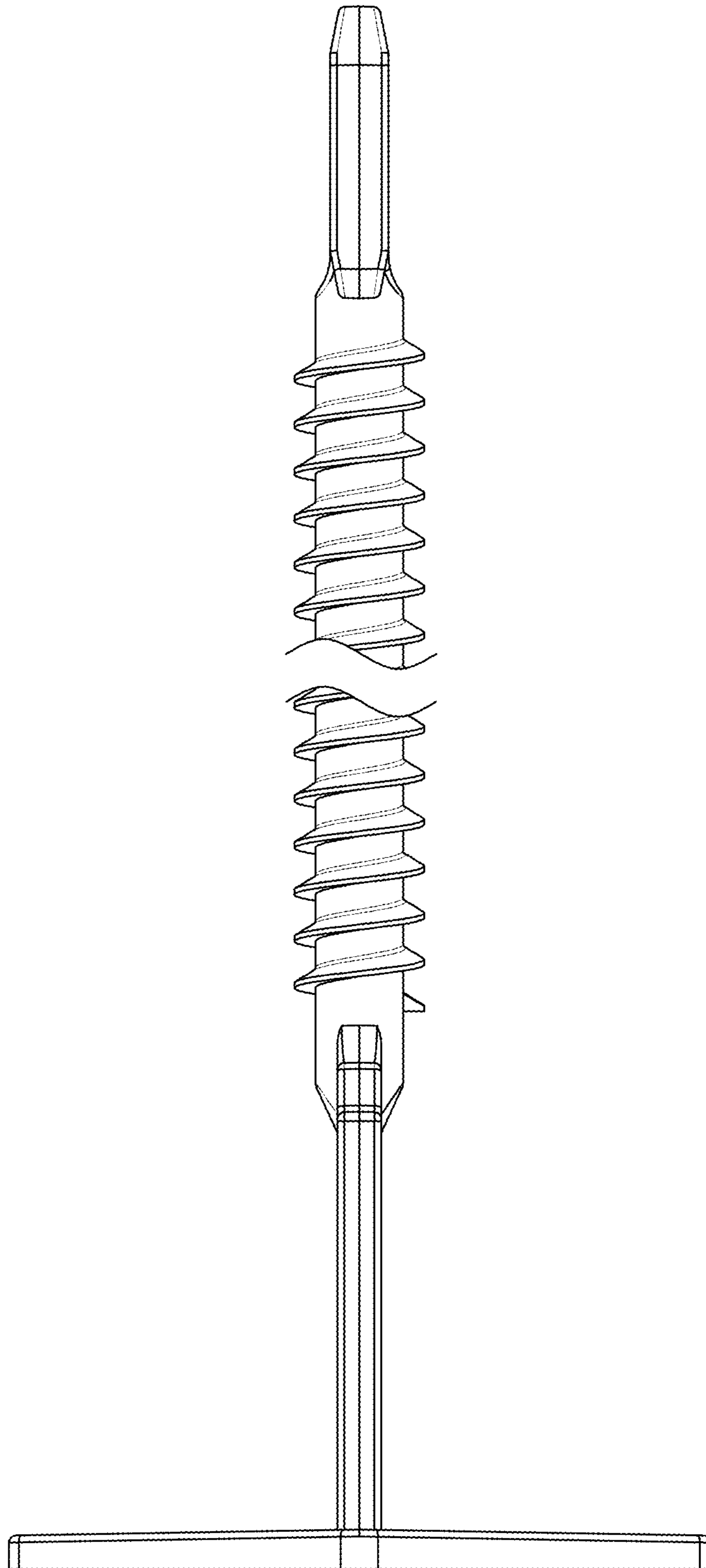


FIG. 4

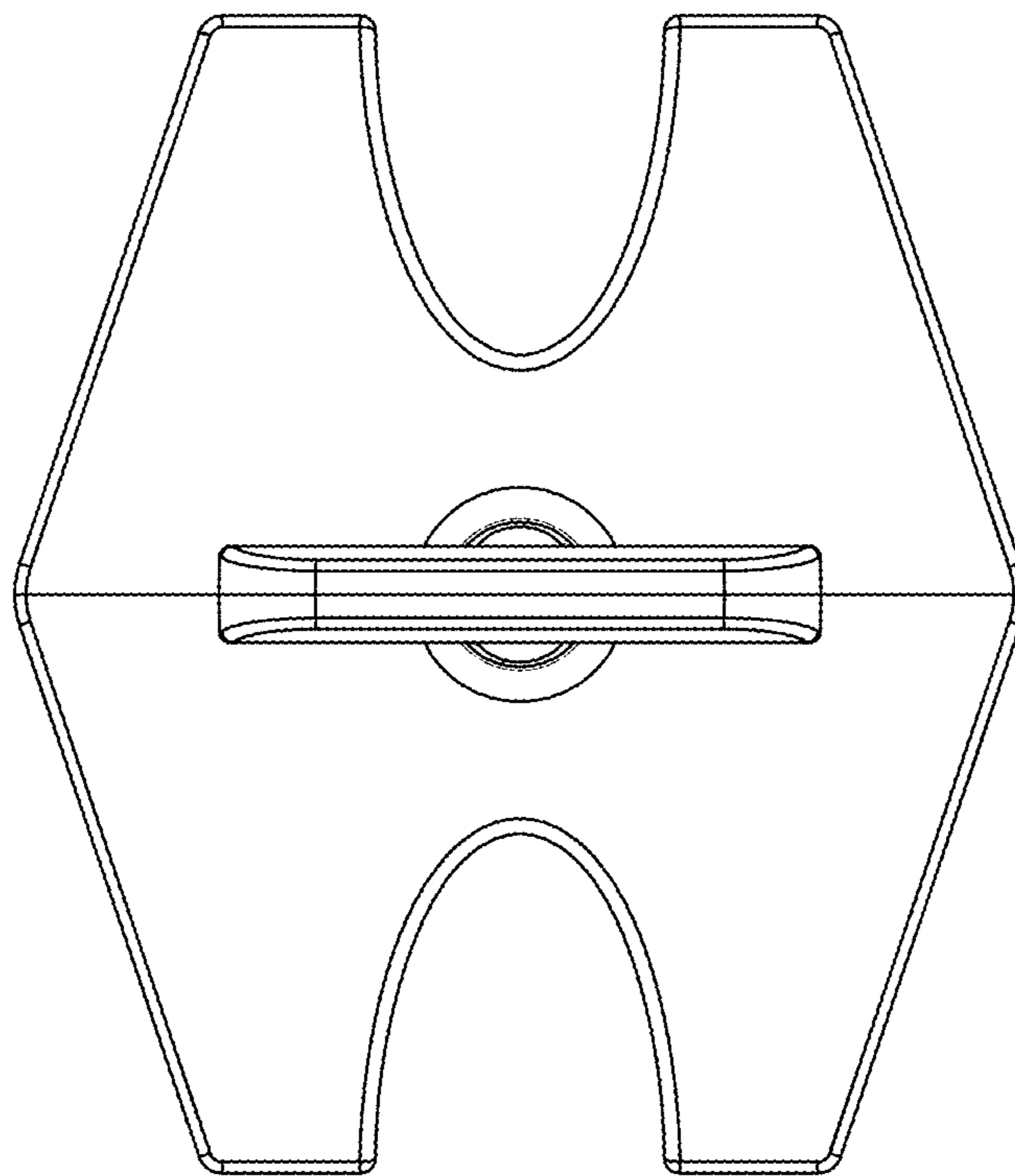


FIG. 5

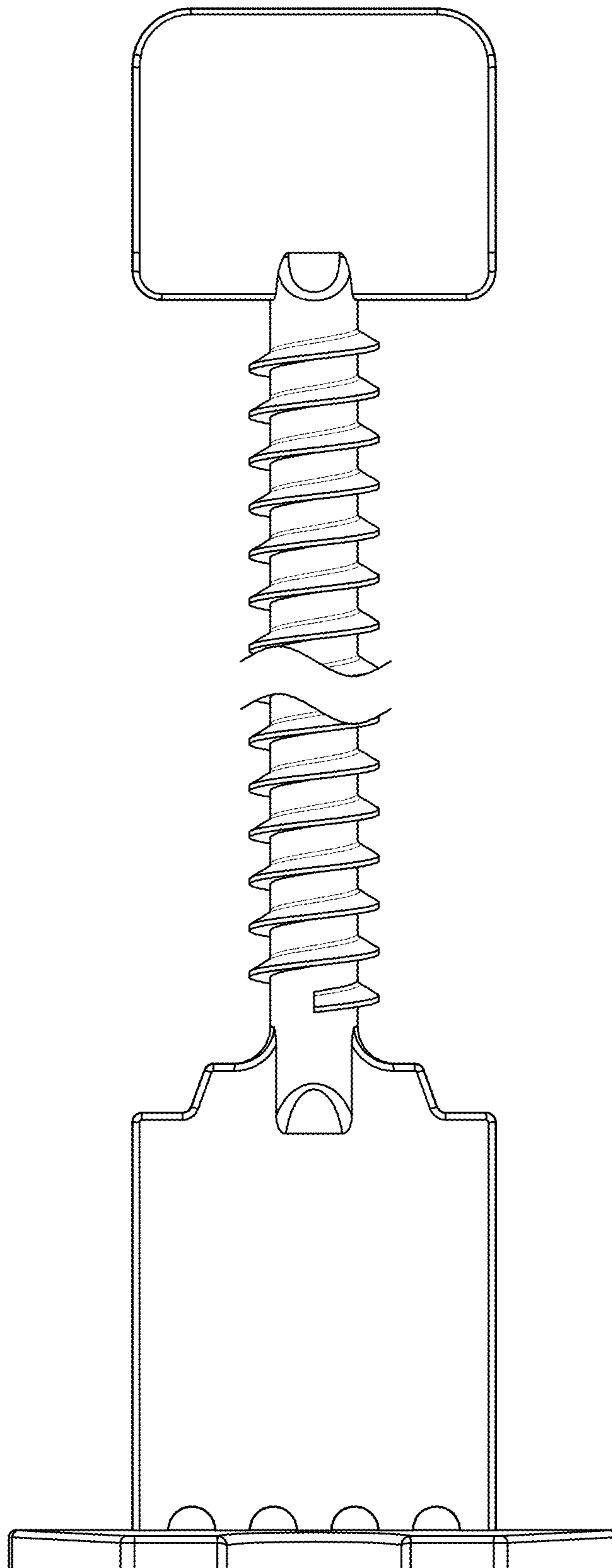


FIG. 6

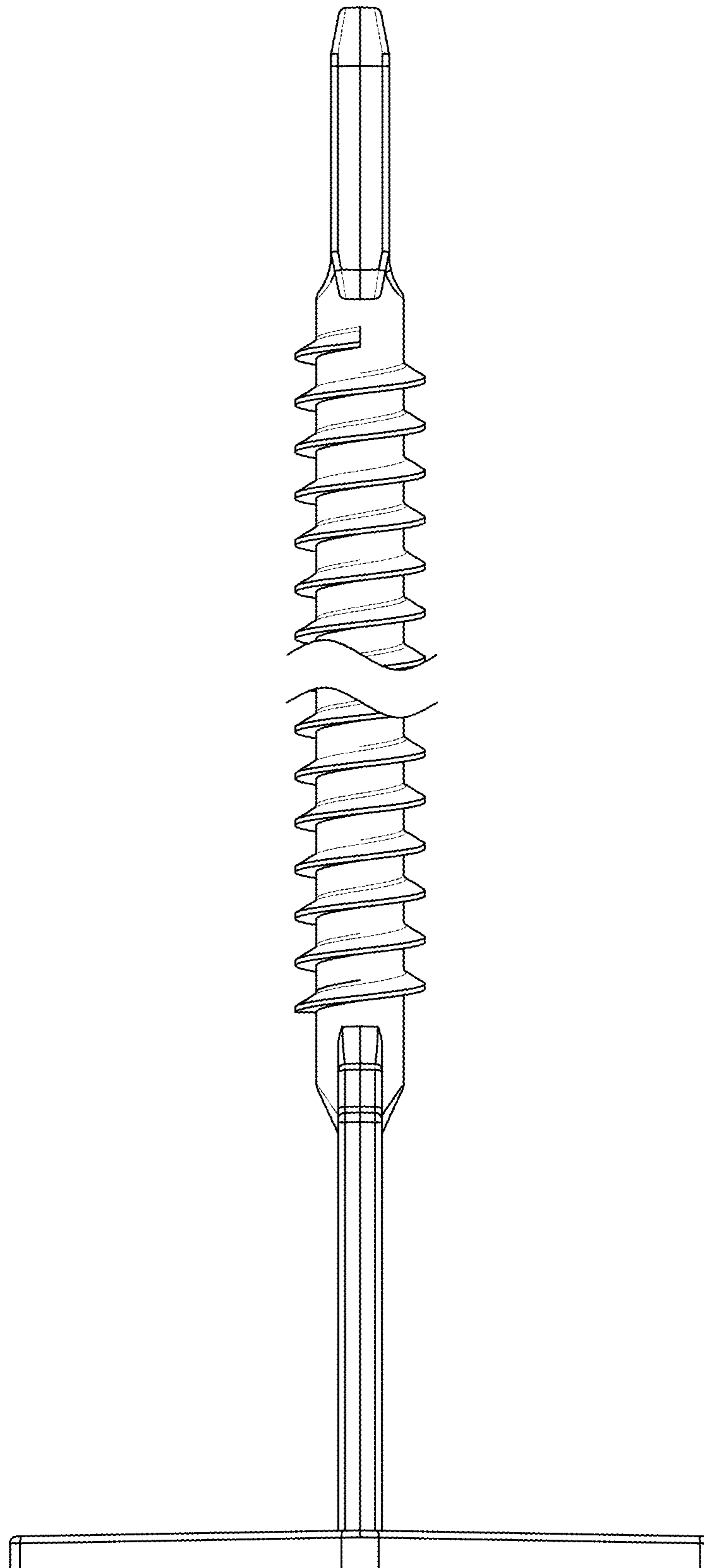


FIG. 7

