



US00D962037S

(12) **United States Design Patent** (10) **Patent No.:** **US D962,037 S**  
**O'Rourke et al.** (45) **Date of Patent:** **\*\* Aug. 30, 2022**

(54) **LOCK**

(71) Applicant: **Master Lock Company LLC**, Oak Creek, WI (US)

(72) Inventors: **Cornelius O'Rourke**, Oak Creek, WI (US); **Zachary Nave**, Oak Creek, WI (US); **Lea Plato**, Oak Creek, WI (US)

(73) Assignee: **MASTER LOCK COMPANY LLC**, Oak Creek, WI (US)

(\*\*) Term: **15 Years**

(21) Appl. No.: **29/723,353**

(22) Filed: **Feb. 6, 2020**

(51) **LOC (13) Cl.** ..... **08-07**

(52) **U.S. Cl.**  
USPC ..... **D8/334**

(58) **Field of Classification Search**  
USPC ..... D8/334, 343  
CPC ..... E05B 67/00; E05B 67/06; E05B 67/02;  
E05B 37/00; Y10T 70/413; Y10T 70/417  
See application file for complete search history.

(56) **References Cited**

**U.S. PATENT DOCUMENTS**

D548,043 S *	8/2007	Yang	.....	D8/334
D573,445 S *	7/2008	Gast	.....	D8/343
D689,358 S *	9/2013	Stevens	.....	D8/343
D756,198 S *	5/2016	Shargh	.....	D8/343
D759,460 S *	6/2016	Thomson	.....	D8/335

D874,244 S 2/2020 Plato et al.  
2005/0207087 A1\* 9/2005 Fisher ..... G07C 9/0069  
361/160  
2017/0169637 A1\* 6/2017 Lai ..... E05B 37/0068

\* cited by examiner

*Primary Examiner* — Doris Clark

(74) *Attorney, Agent, or Firm* — Foley & Lardner LLP

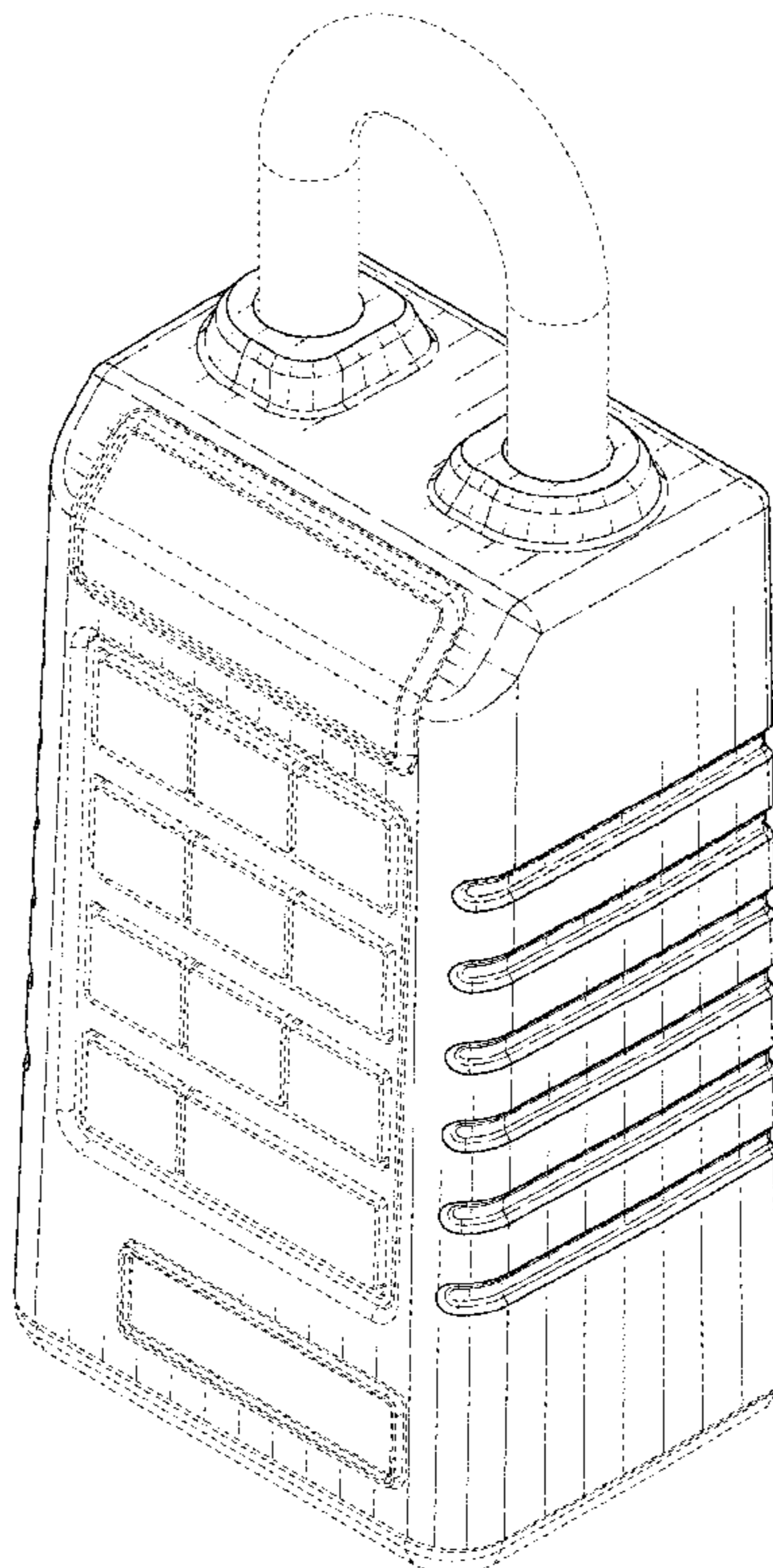
(57) **CLAIM**

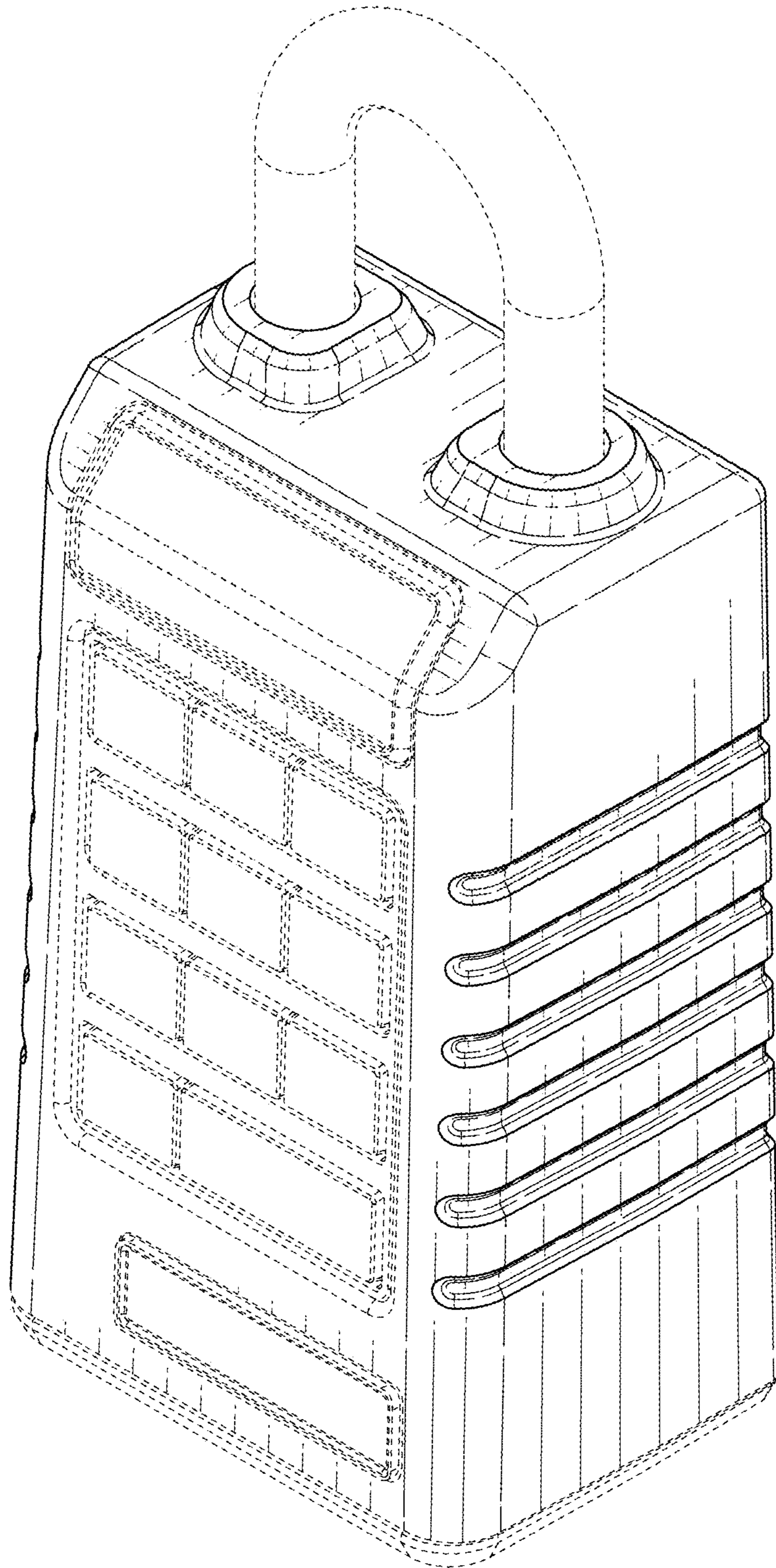
We claim the ornamental design for a lock, as shown and described.

**DESCRIPTION**

FIG. 1 is a perspective view of a first embodiment of the claimed design;  
FIG. 2 is a front view of the claimed design of FIG. 1;  
FIG. 3 is a rear view of the claimed design of FIG. 1;  
FIG. 4 is a right side view of the claimed design of FIG. 1;  
FIG. 5 is a left side view of the claimed design of FIG. 1;  
FIG. 6 is a top view of the claimed design of FIG. 1;  
FIG. 7 is a bottom view of the claimed design of FIG. 1;  
FIG. 8 is a perspective view of a second embodiment of the claimed design of FIG. 1;  
FIG. 9 is a front view of the claimed design of FIG. 8;  
FIG. 10 is a rear view of the claimed design of FIG. 8;  
FIG. 11 is a right side view of the claimed design of FIG. 8;  
FIG. 12 is a left side view of the claimed design of FIG. 8;  
FIG. 13 is a top view of the claimed design of FIG. 8; and,  
FIG. 14 is a bottom view of the claimed design of FIG. 8.  
The ornamental design that is claimed is shown in solid lines in the figures. Broken lines of equal or substantially equal length dashes in the drawings are for illustrative purposes only and form no part of the claimed design.

**1 Claim, 12 Drawing Sheets**





**FIG. 1**

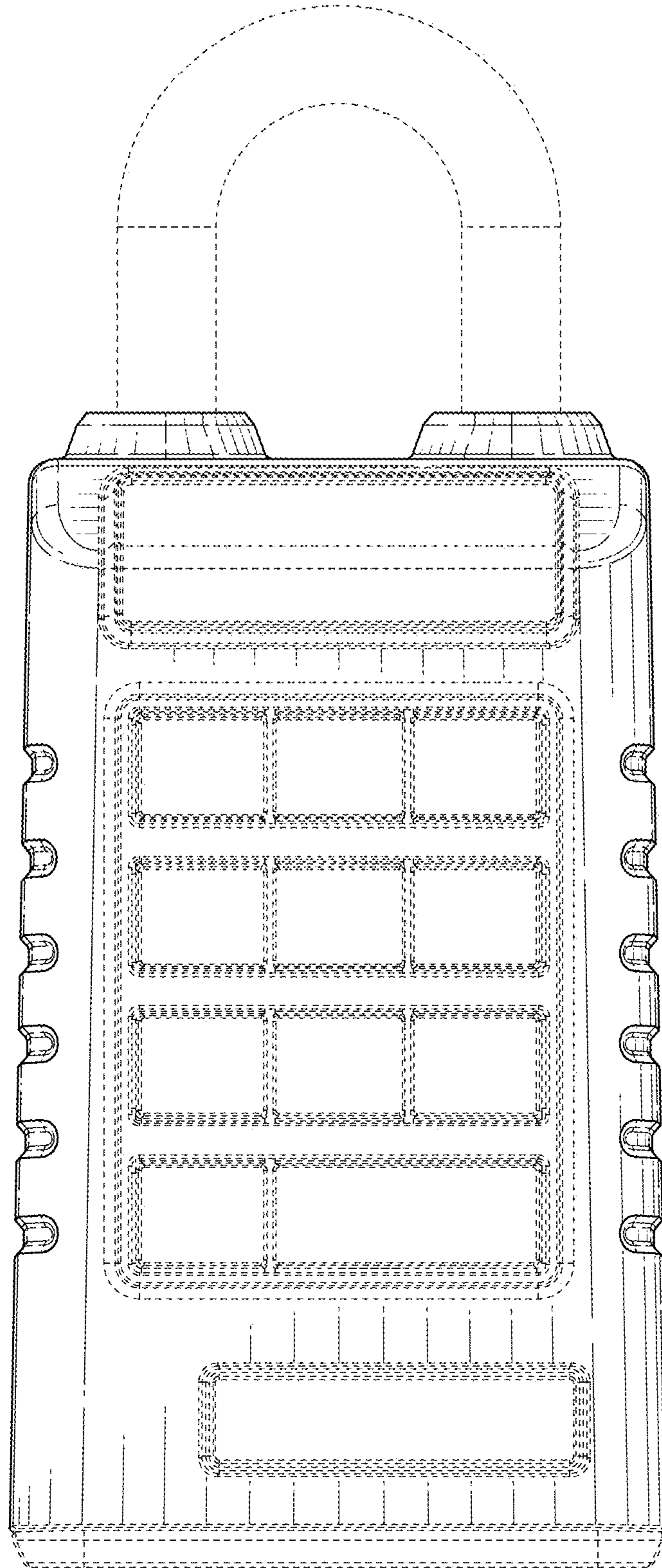
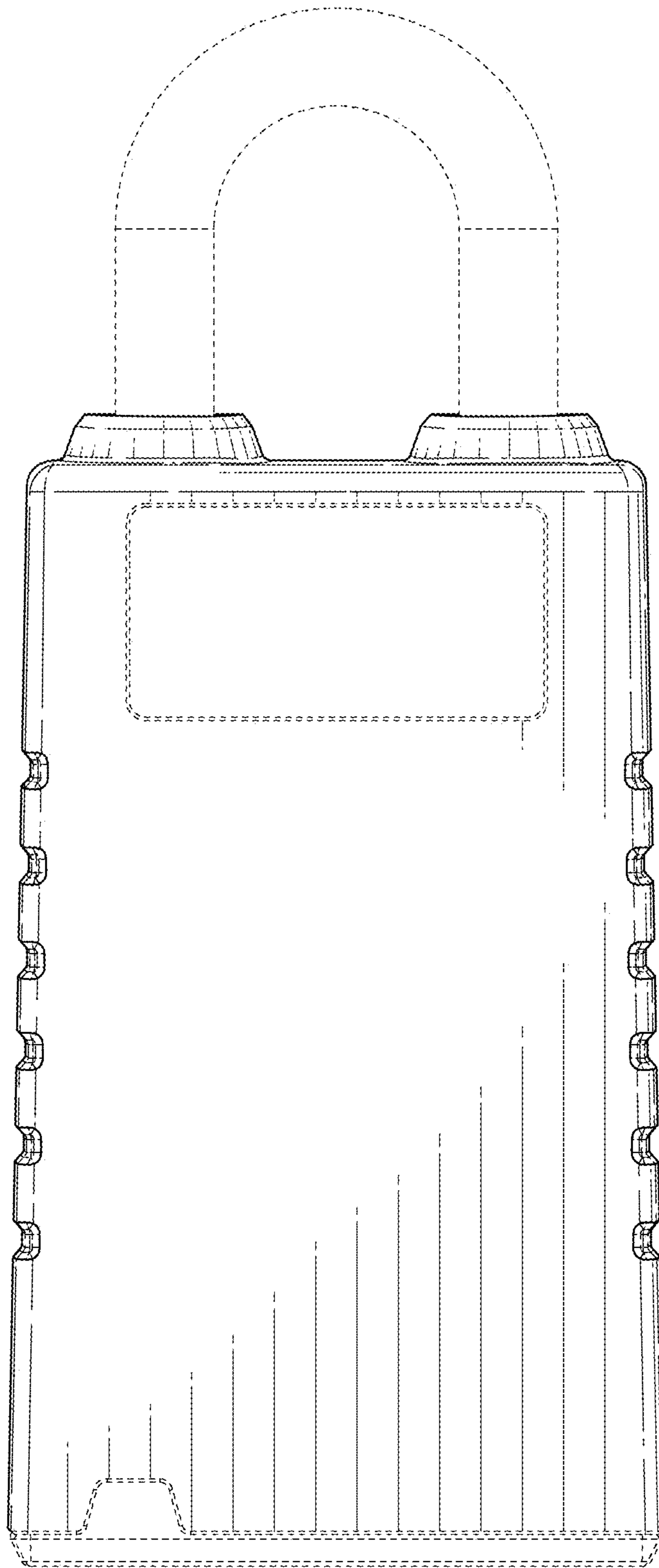
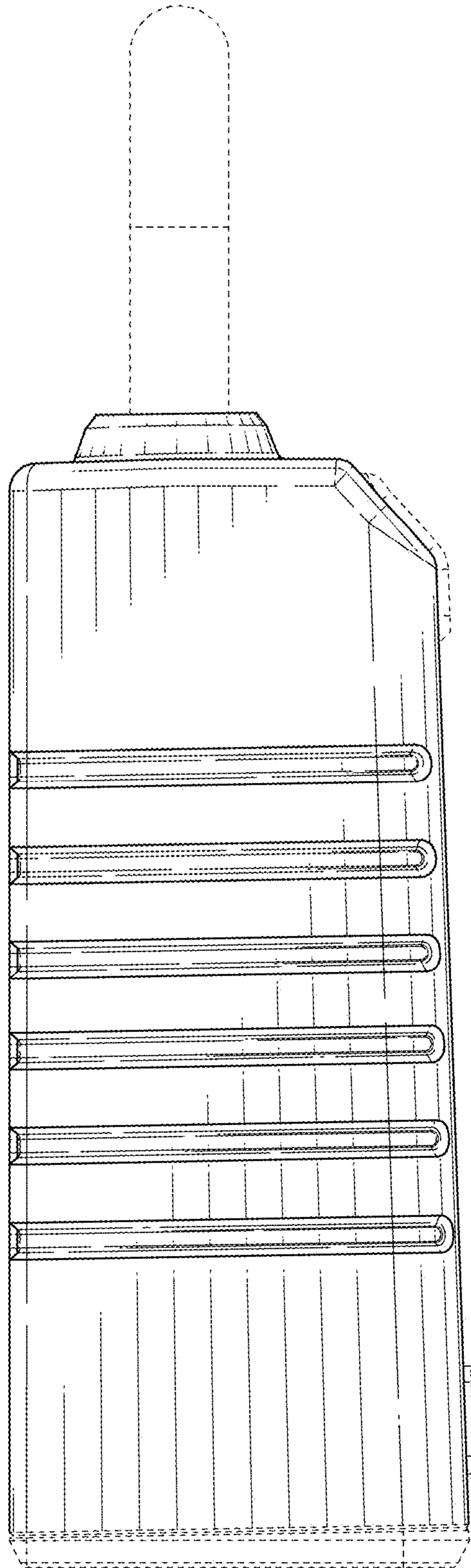


FIG. 2



**FIG. 3**



**FIG. 4**

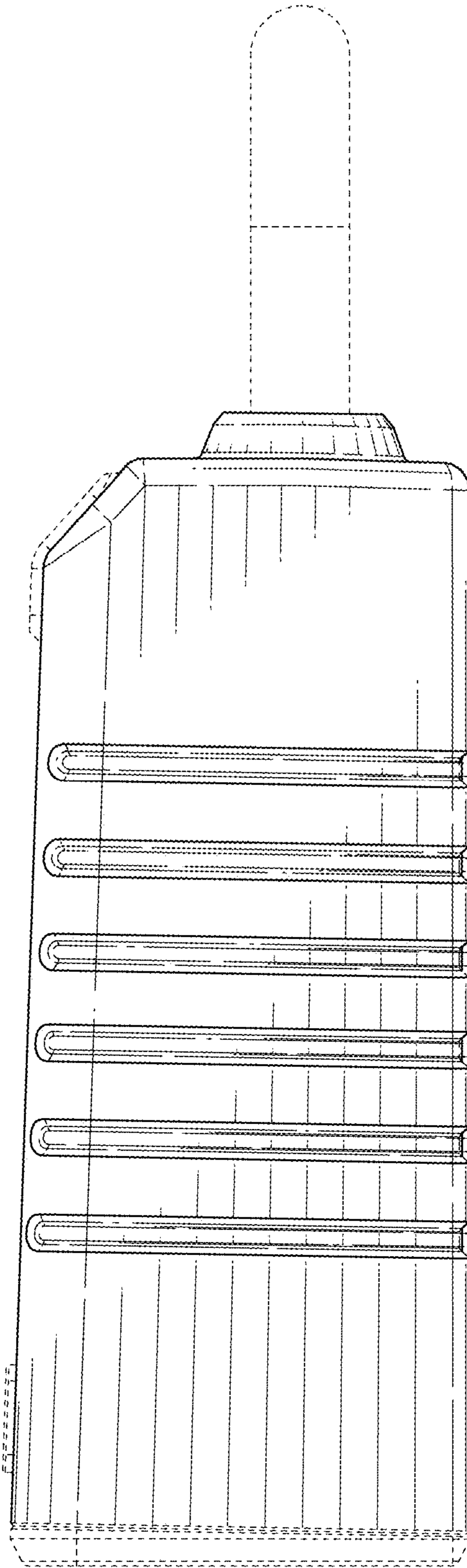
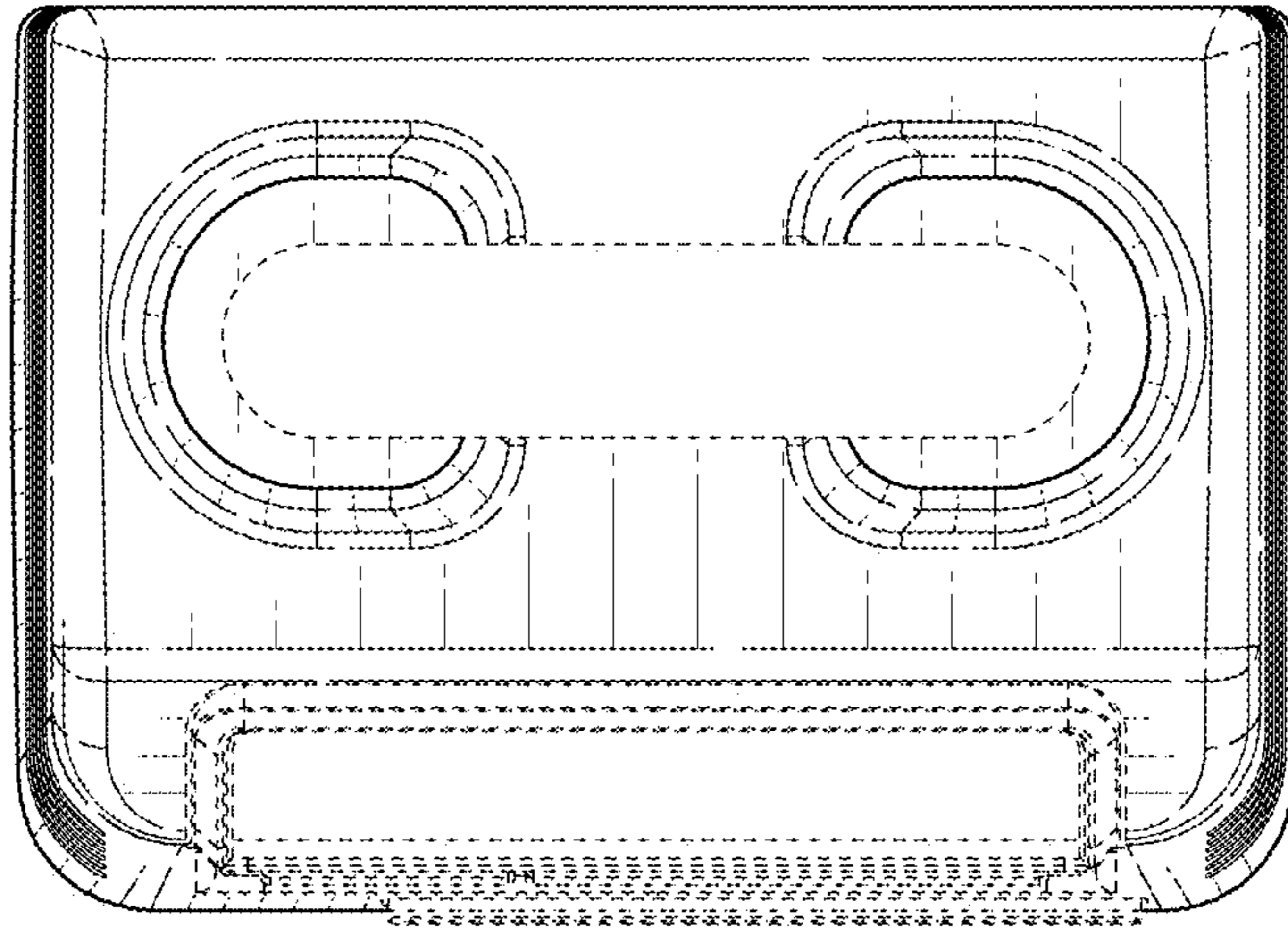
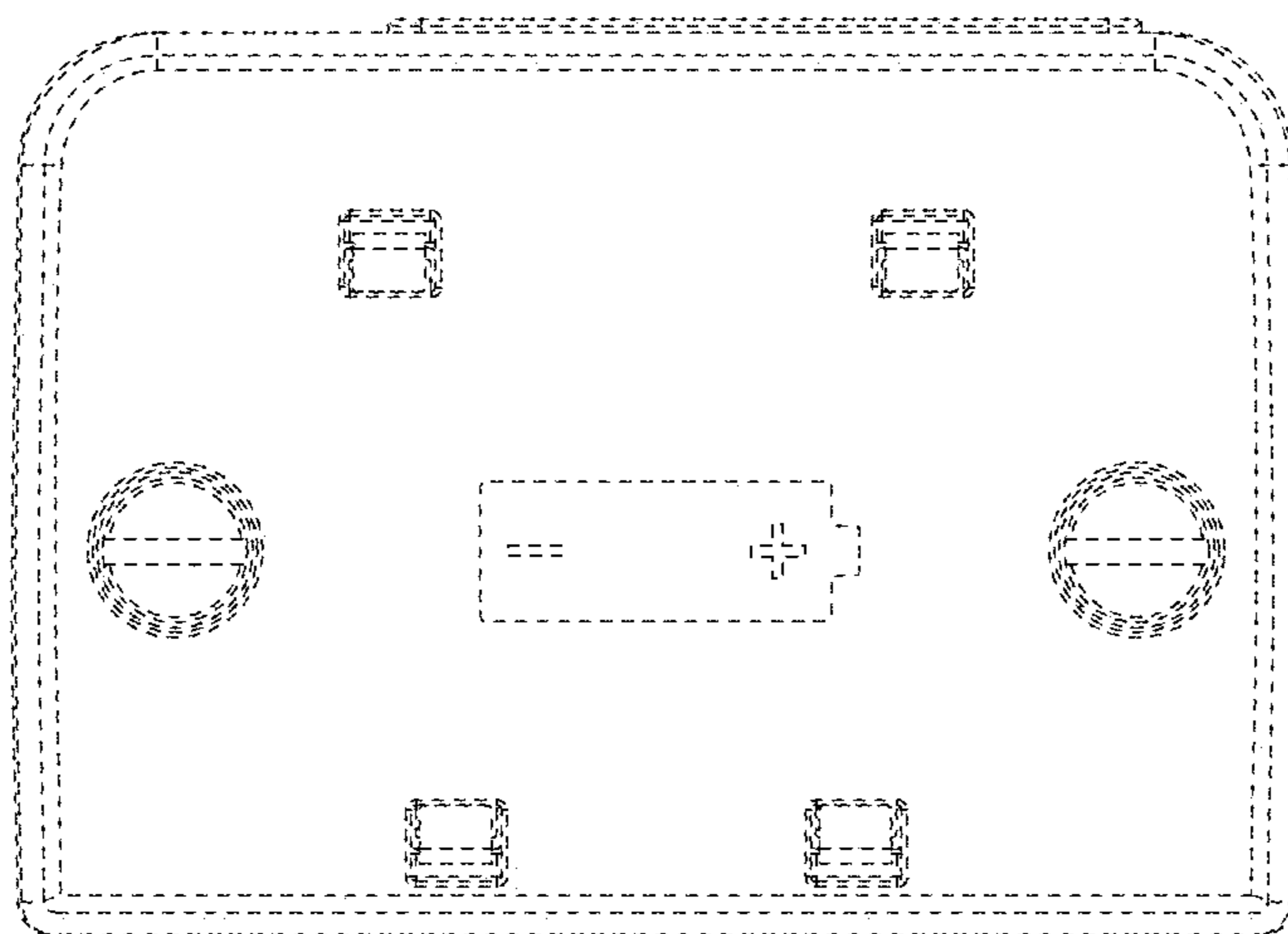


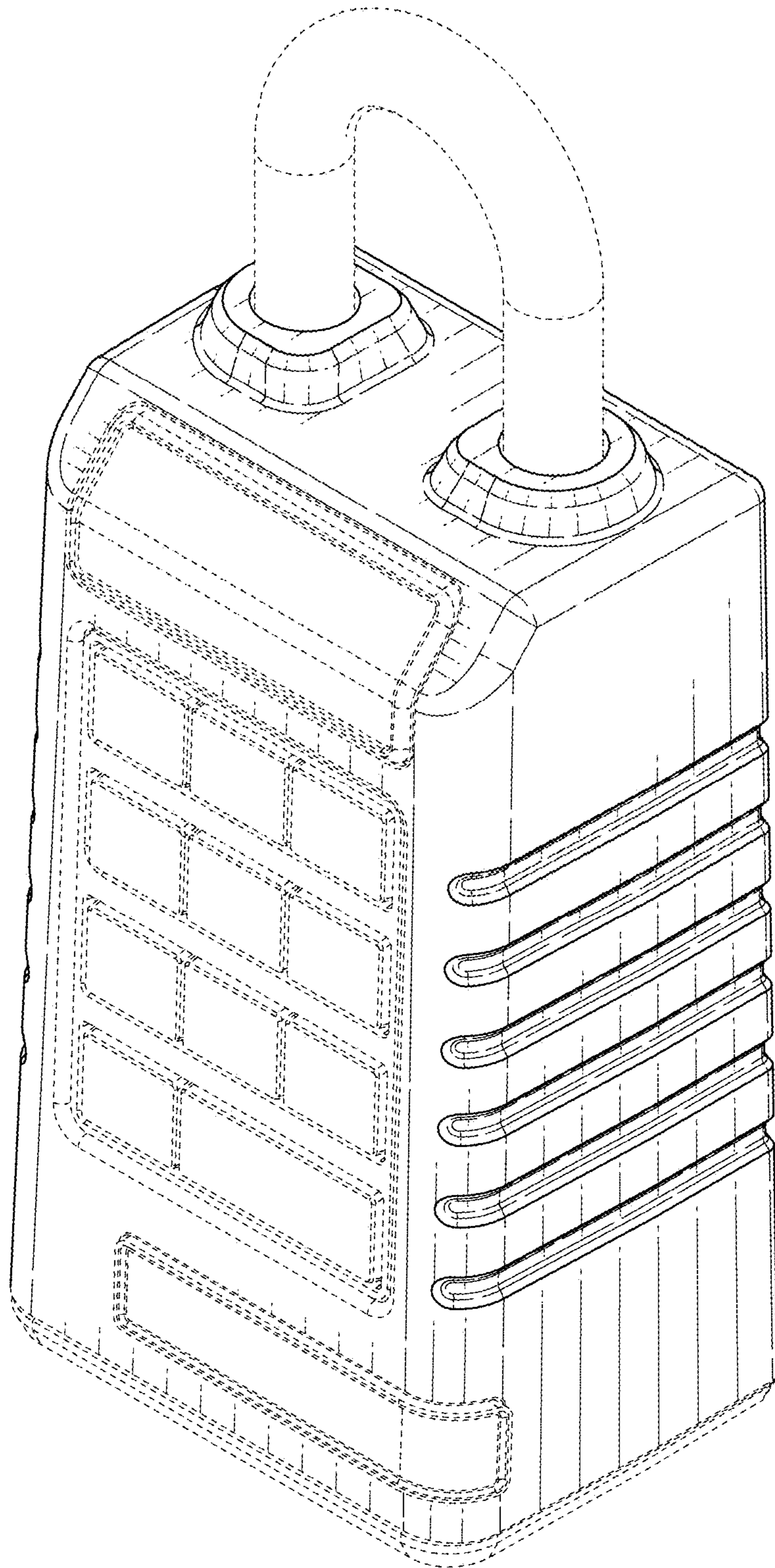
FIG. 5



**FIG. 6**



**FIG. 7**



**FIG. 8**



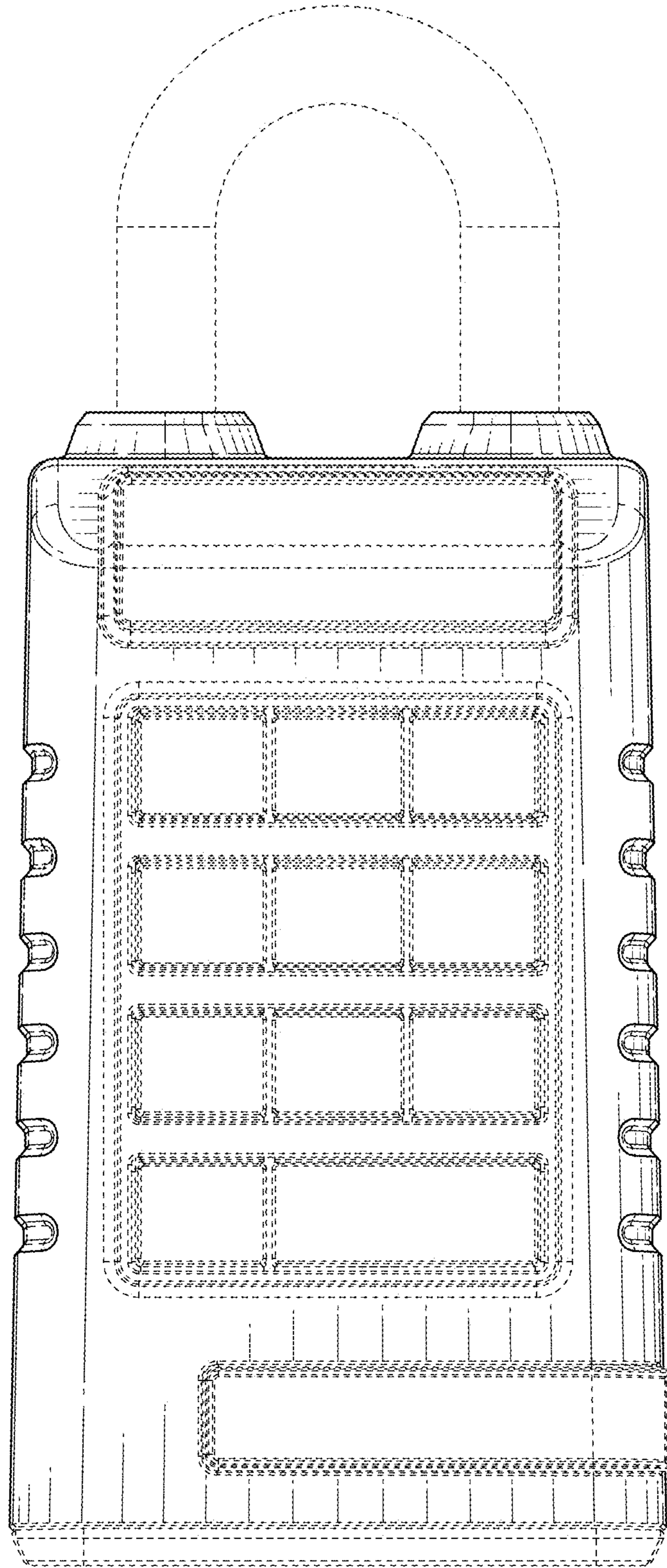
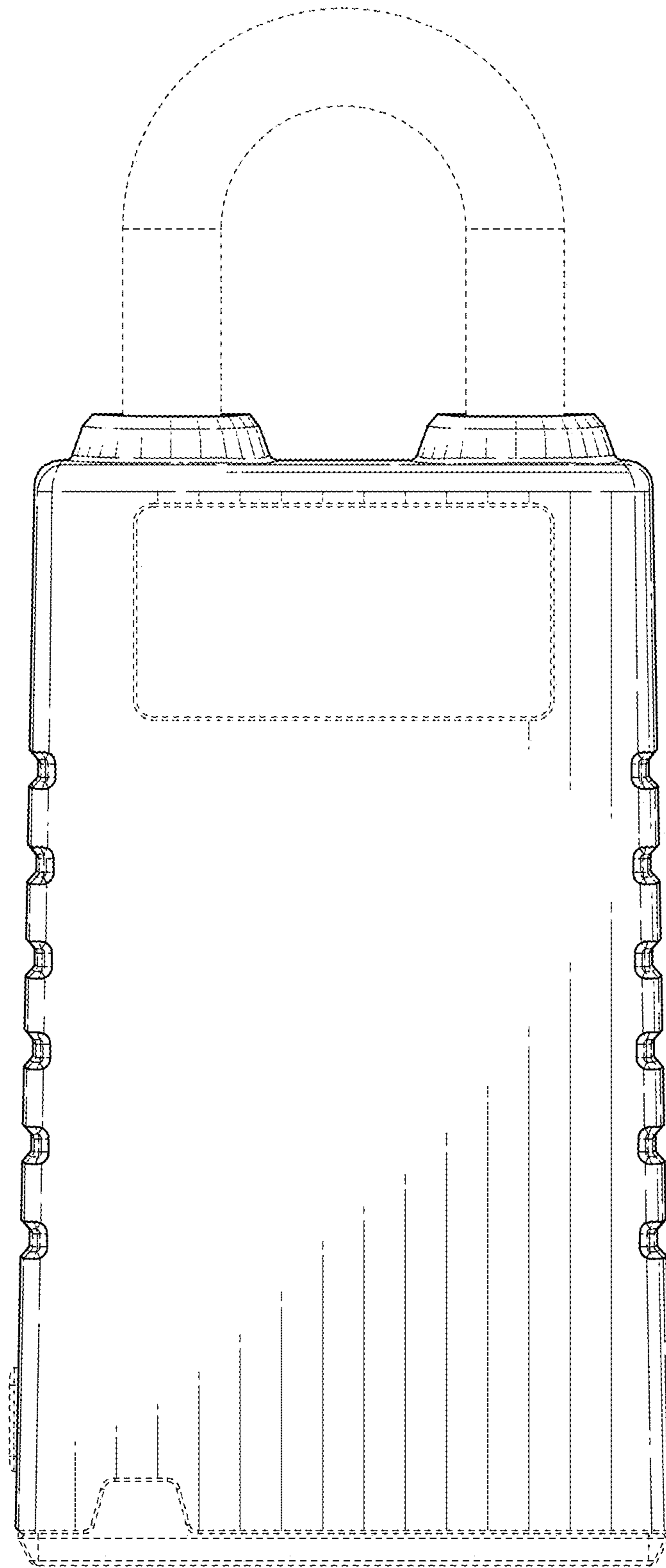
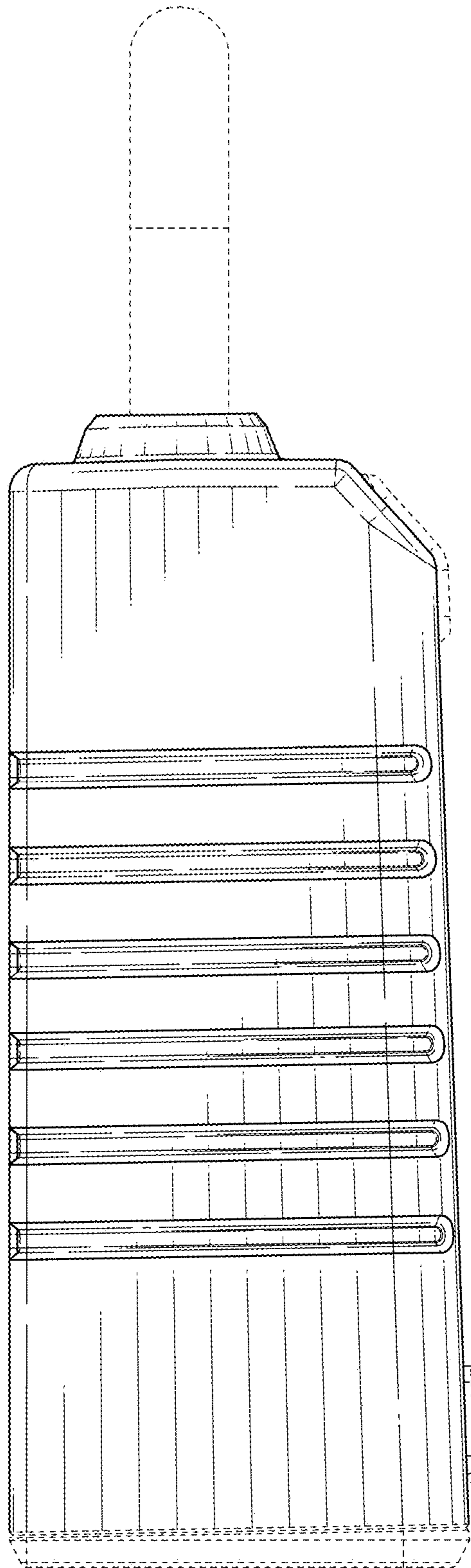


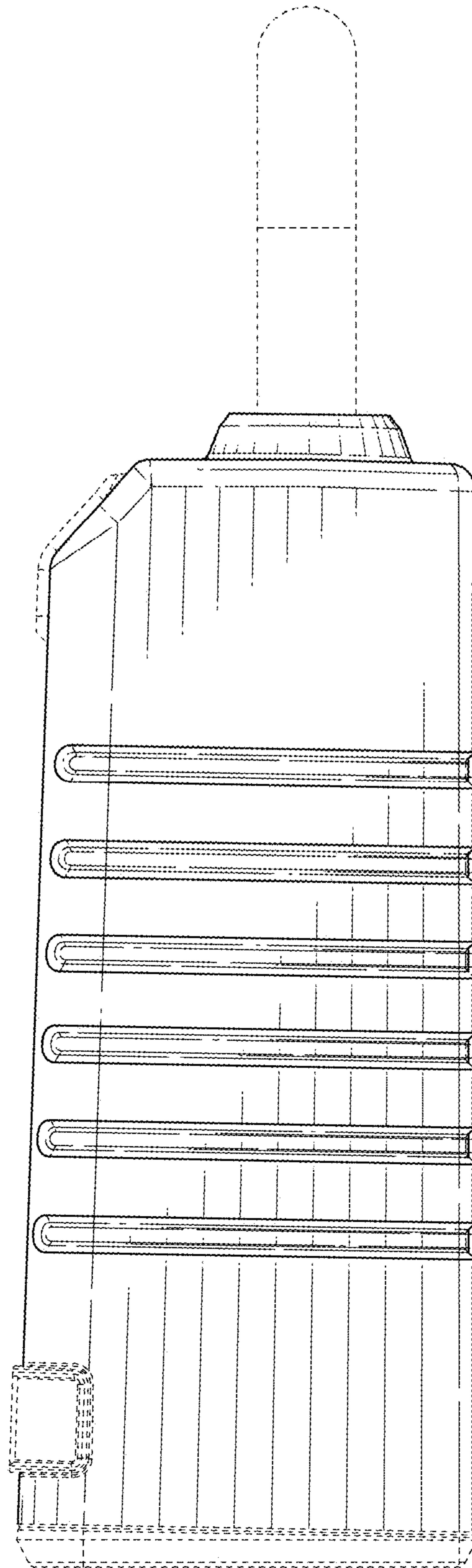
FIG. 9



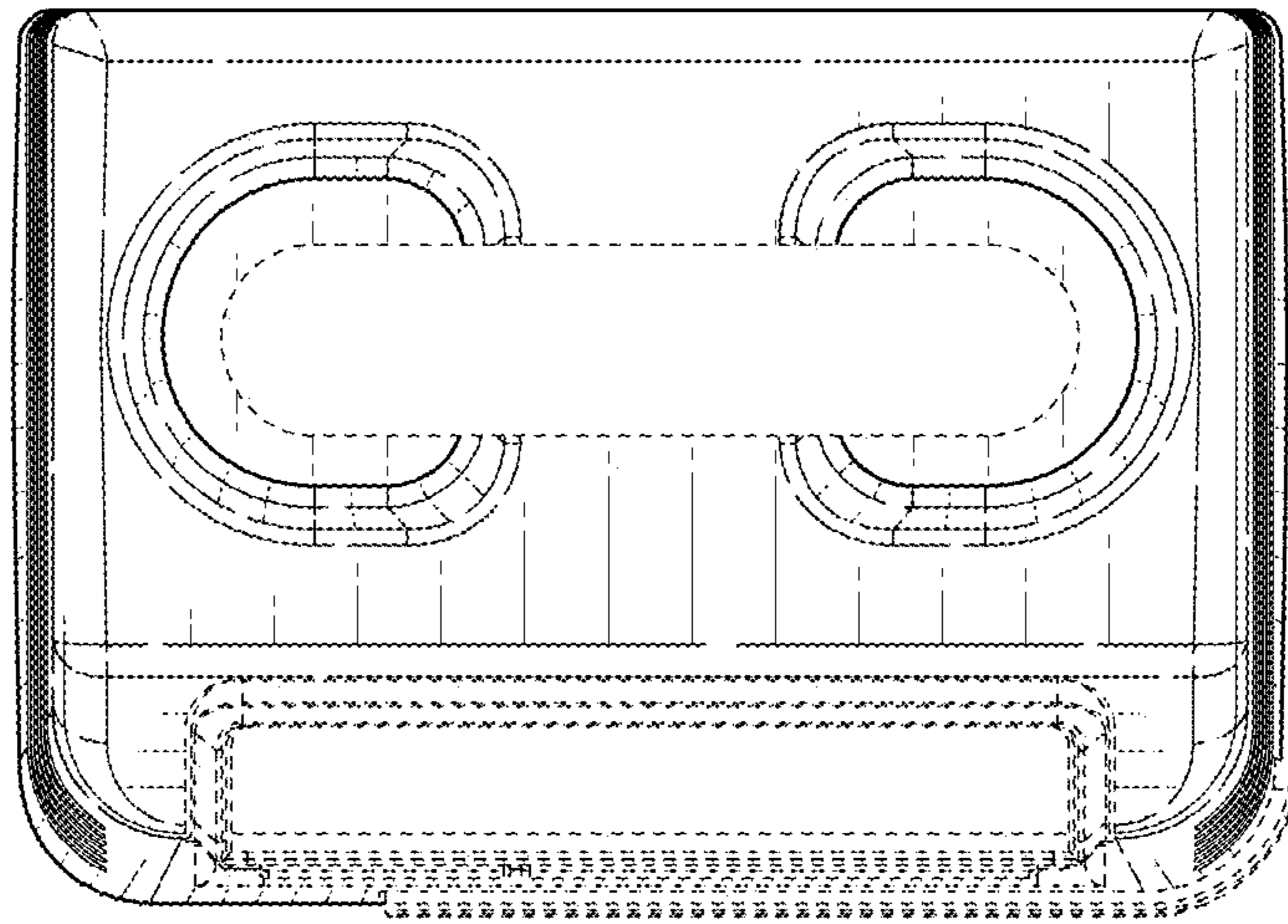
**FIG. 10**



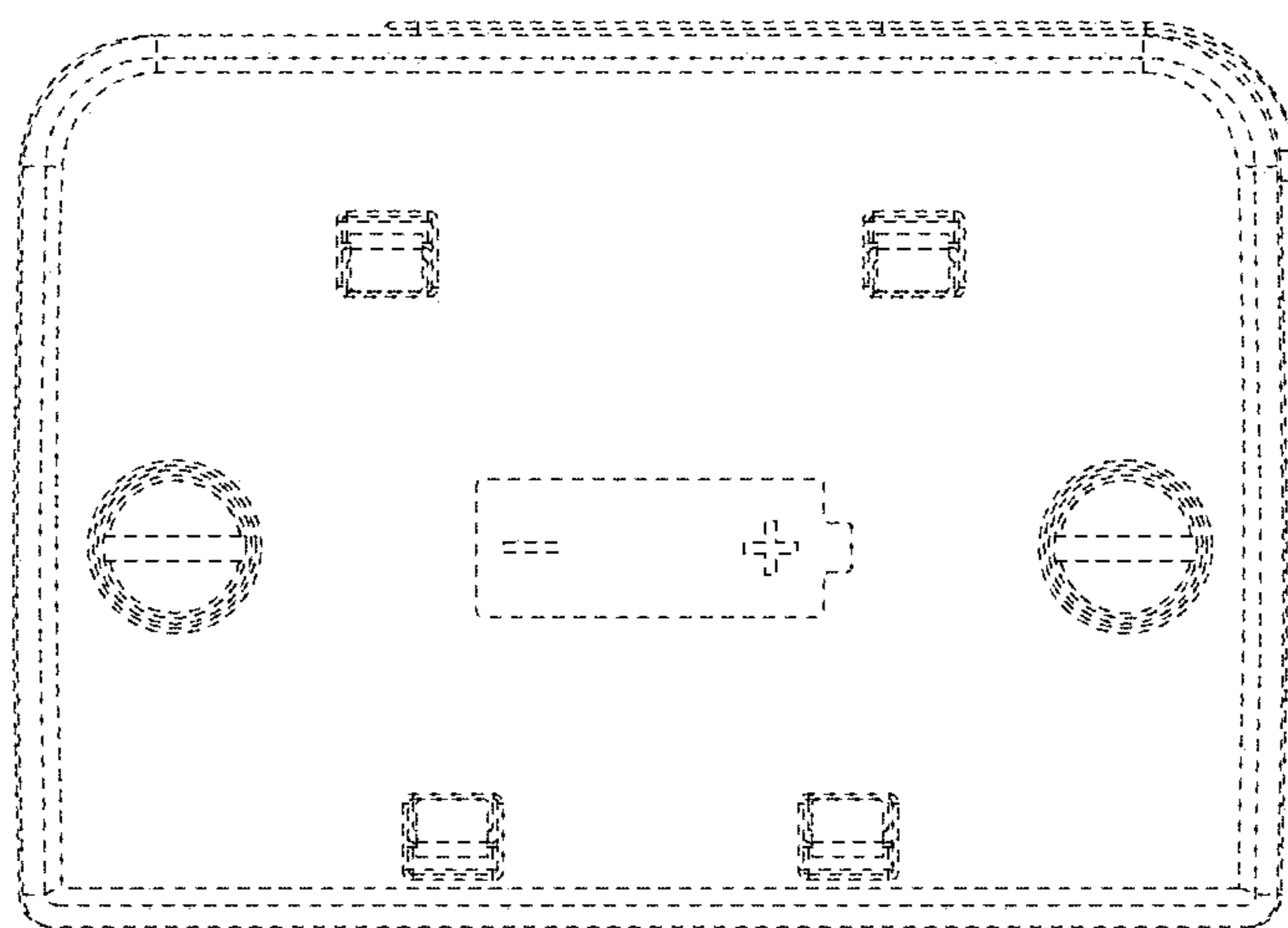
**FIG. 11**



**FIG. 12**



**FIG. 13**



**FIG. 14**