



US00D962033S

(12) **United States Design Patent** (10) **Patent No.:** **US D962,033 S**  
**Li** (45) **Date of Patent:** **\*\* Aug. 30, 2022**

(54) **KNIFE SHARPENER**

(71) Applicant: **Jihui Li**, Yangjiang (CN)

(72) Inventor: **Jihui Li**, Yangjiang (CN)

(\*\*) Term: **15 Years**

(21) Appl. No.: **29/789,181**

(22) Filed: **Sep. 7, 2021**

(51) **LOC (13) Cl.** ..... **08-03**

(52) **U.S. Cl.**  
USPC ..... **D8/93**

(58) **Field of Classification Search**  
USPC ..... D8/63, 90, 91, 92, 93  
CPC .... B24B 3/54; B24B 3/36; B24B 3/58; B24B  
3/00; B24B 23/08; B24D 15/00; B24D  
15/06; B24D 15/063; B24D 15/08; B24D  
15/081

See application file for complete search history.

(56) **References Cited**

**U.S. PATENT DOCUMENTS**

D640,116 S *	6/2011	Smith	.....	D8/93
D640,523 S *	6/2011	Stutz	.....	D8/93
D640,909 S *	7/2011	Stutz	.....	D8/93
D680,846 S *	4/2013	Smith	.....	D8/93
D680,847 S *	4/2013	Smith	.....	D8/93
D763,650 S *	8/2016	Severinson	.....	D8/93
D773,913 S *	12/2016	Severinson	.....	D8/93

D860,752 S	9/2019	Bloch	
D877,593 S	3/2020	Chalfant et al.	
D898,538 S	10/2020	Liu	
D924,652 S *	7/2021	Guo	..... D8/93
D929,200 S *	8/2021	Huagn	..... D8/93
2014/0120812 A1*	5/2014	Smith	..... B24D 15/082 451/552

\* cited by examiner

*Primary Examiner* — Philip S Hyder

(57) **CLAIM**

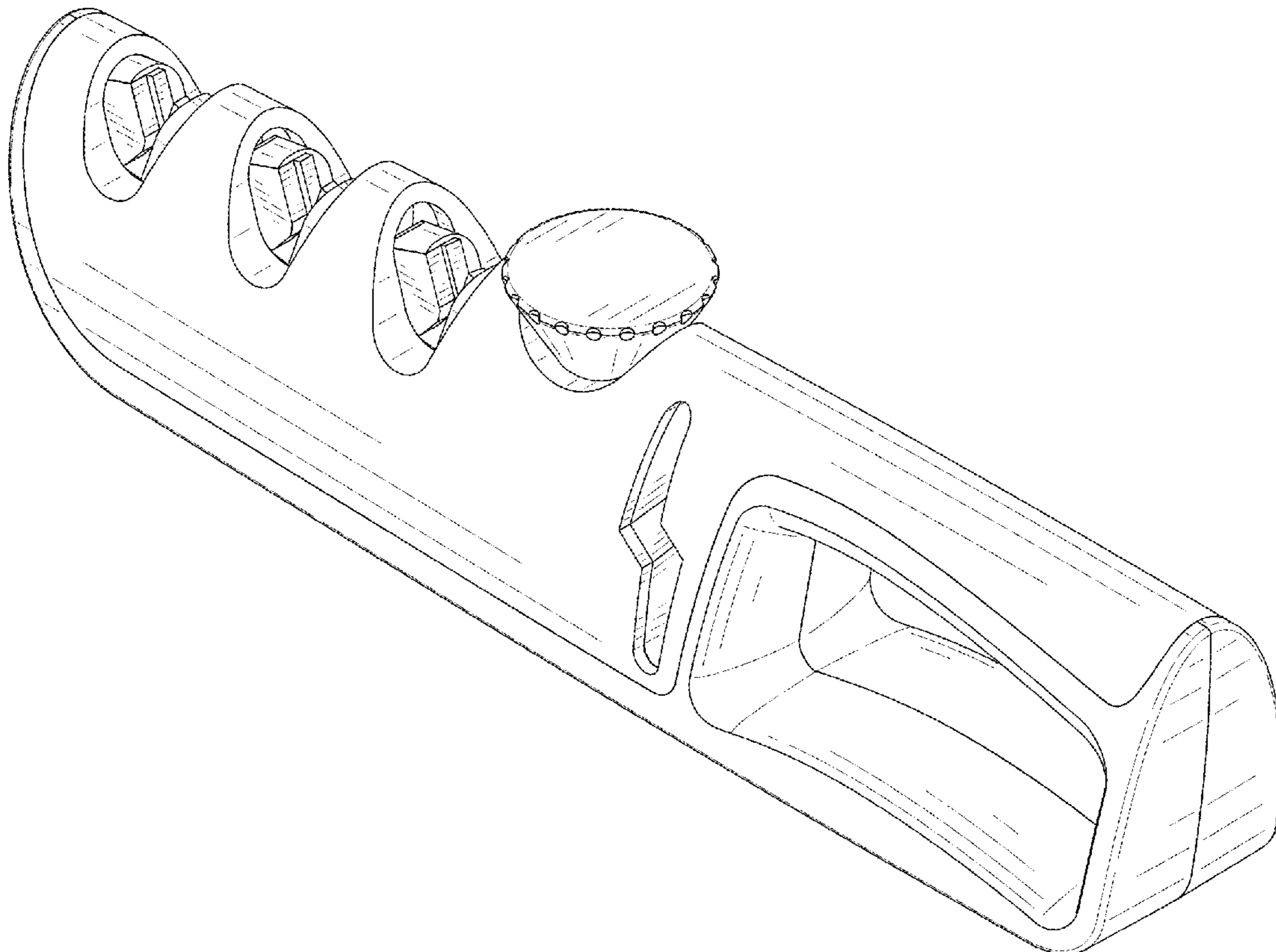
The ornamental design for a knife sharpener, as shown and described.

**DESCRIPTION**

FIG. 1 is a first perspective view of a knife sharpener showing my new design;  
FIG. 2 is a second perspective view thereof;  
FIG. 3 is a front elevation view thereof;  
FIG. 4 is a rear elevation view thereof;  
FIG. 5 is a left side elevation view thereof  
FIG. 6 is a right side elevation view thereof;  
FIG. 7 is a top plan view thereof; and,  
FIG. 8 is a bottom plan view thereof.

The broken lines shown in the drawings depict portions of the knife sharpener in which the design is embodied that form no part of the claimed design.

**1 Claim, 8 Drawing Sheets**



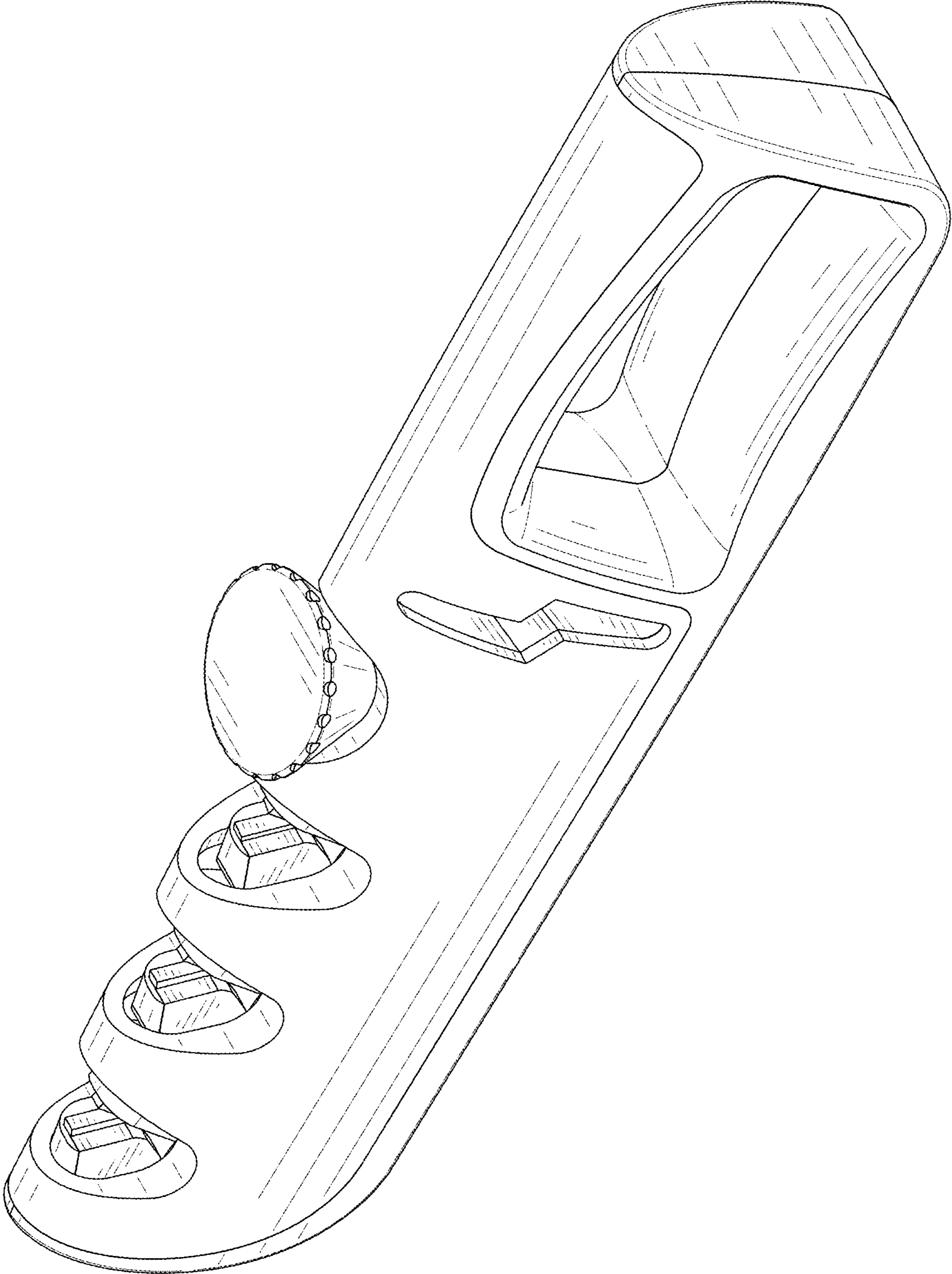


FIG. 1

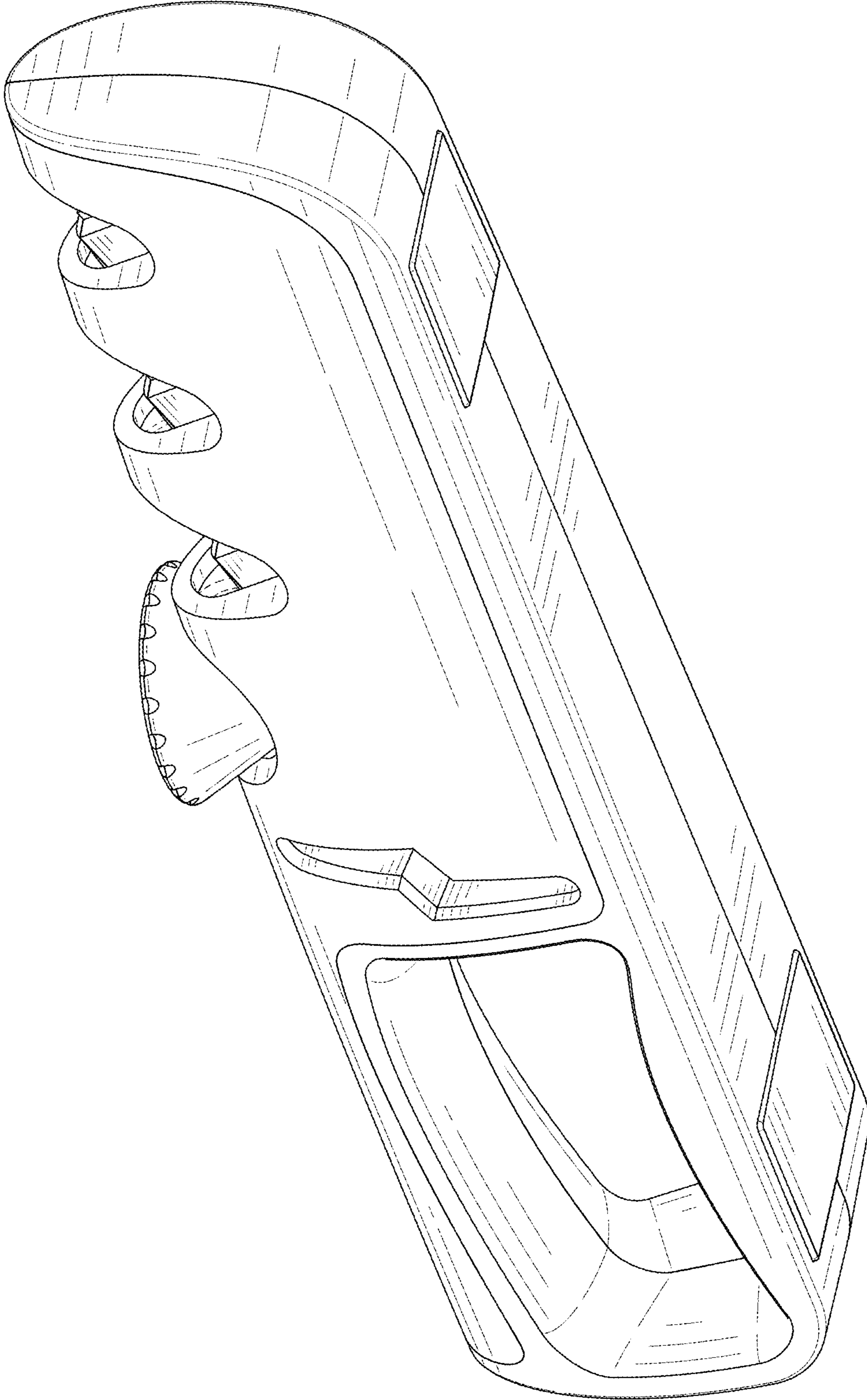


FIG. 2

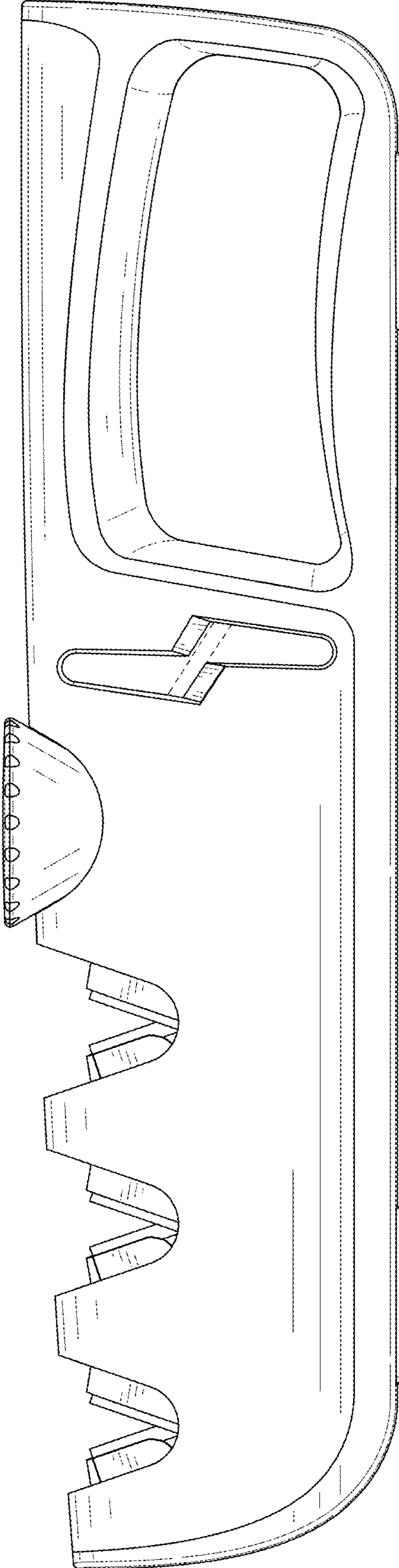


FIG. 3

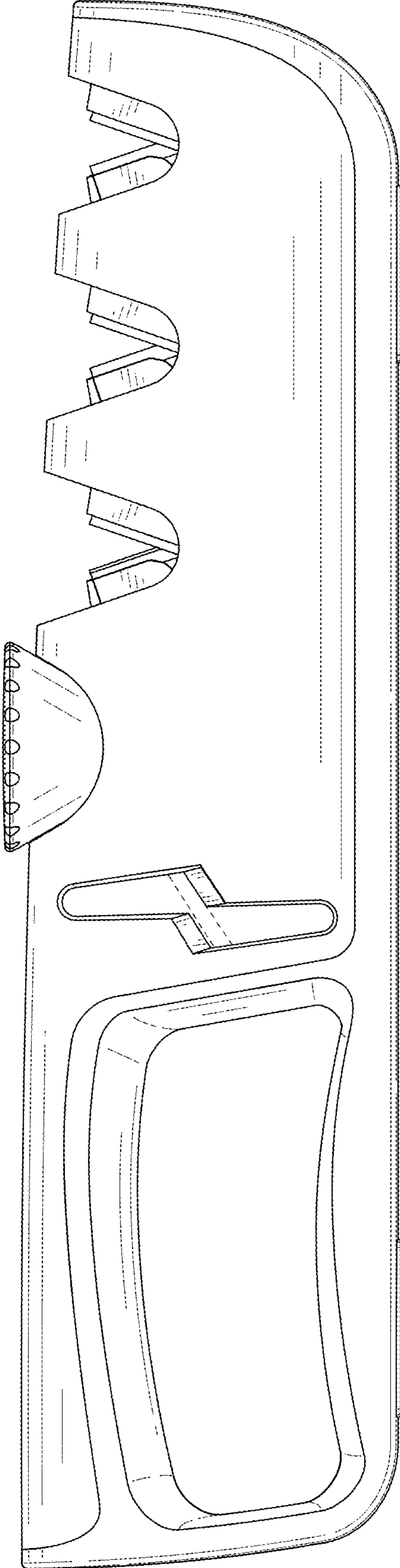


FIG. 4

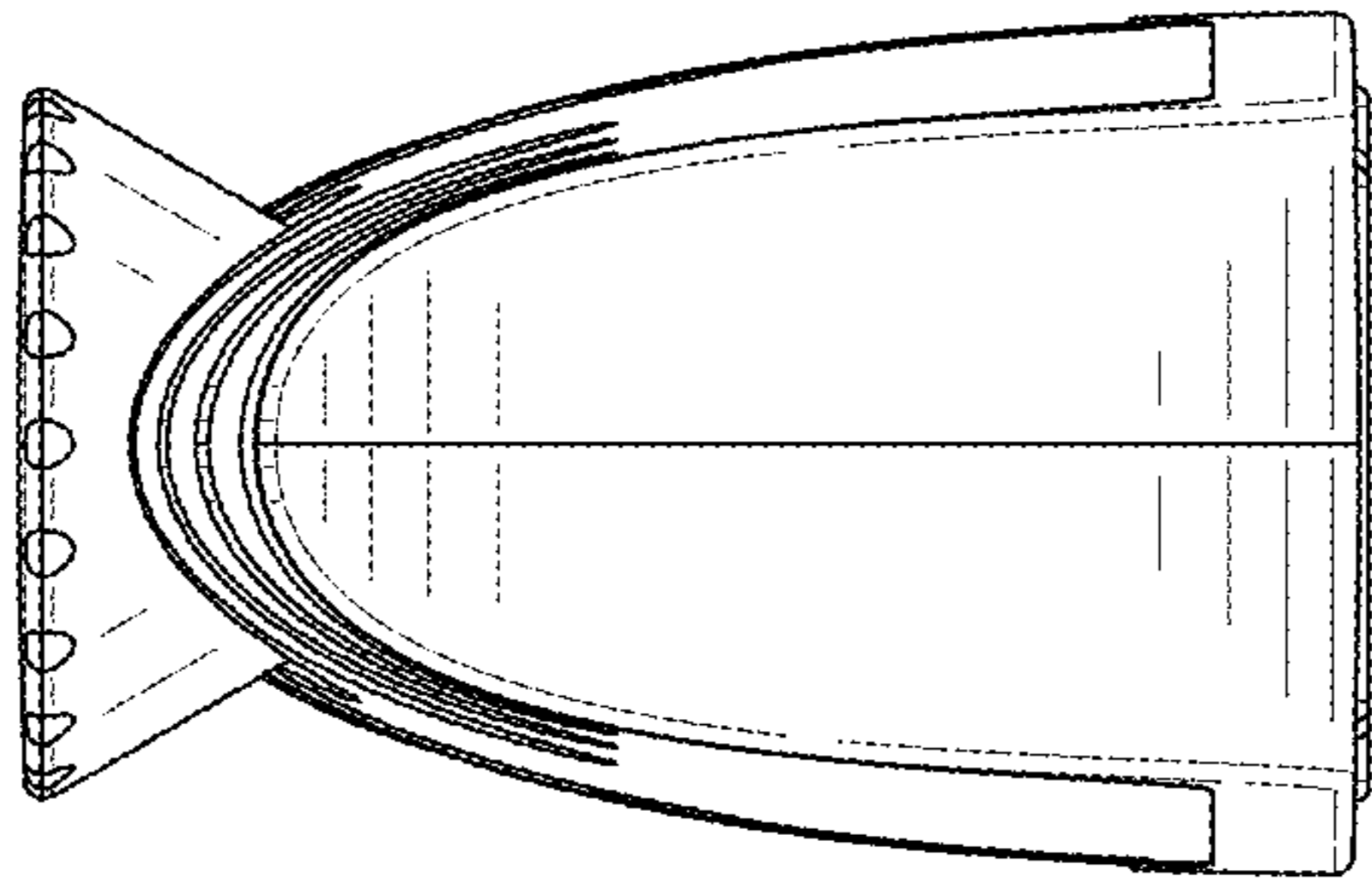


FIG. 5

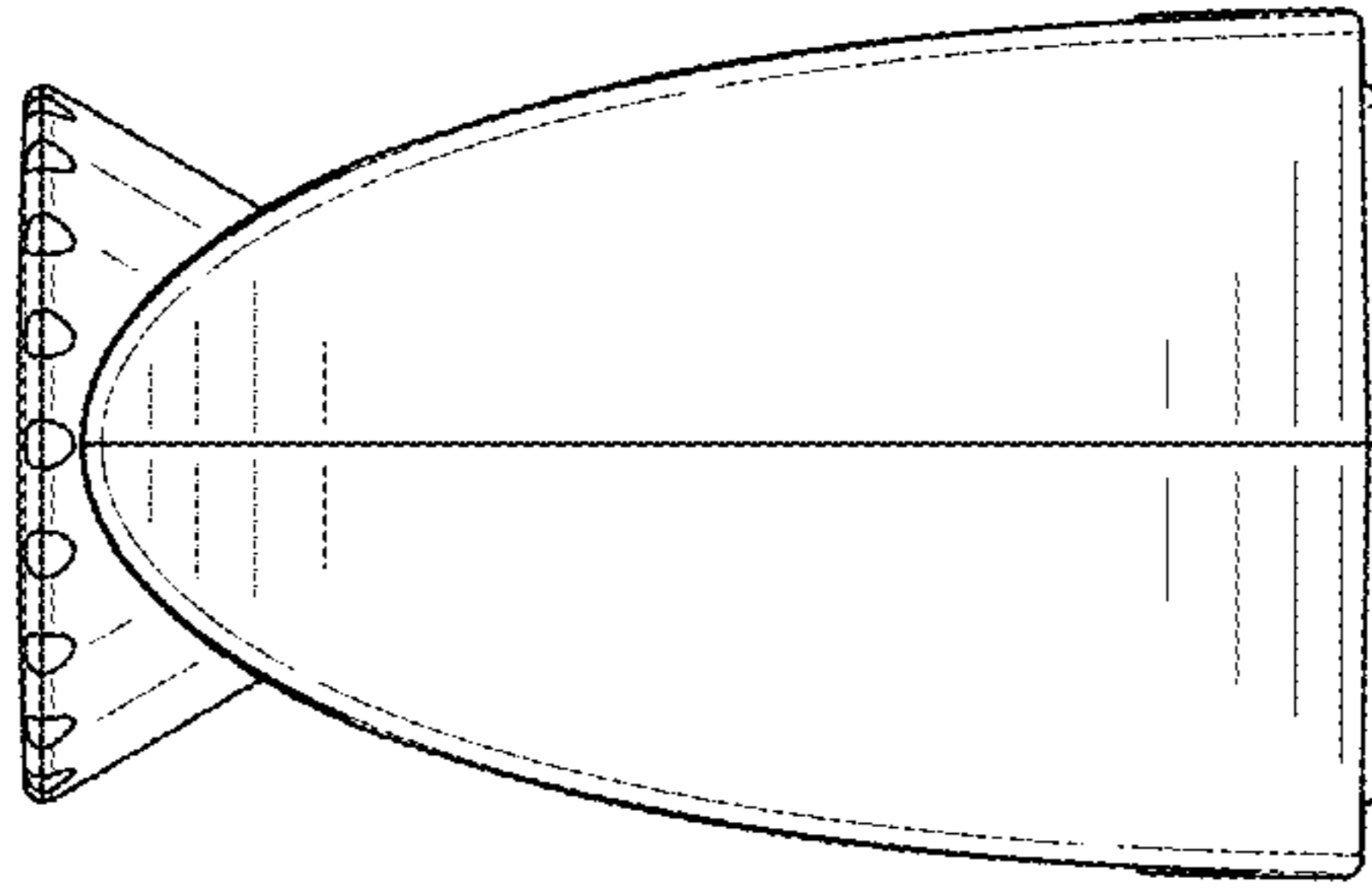


FIG. 6

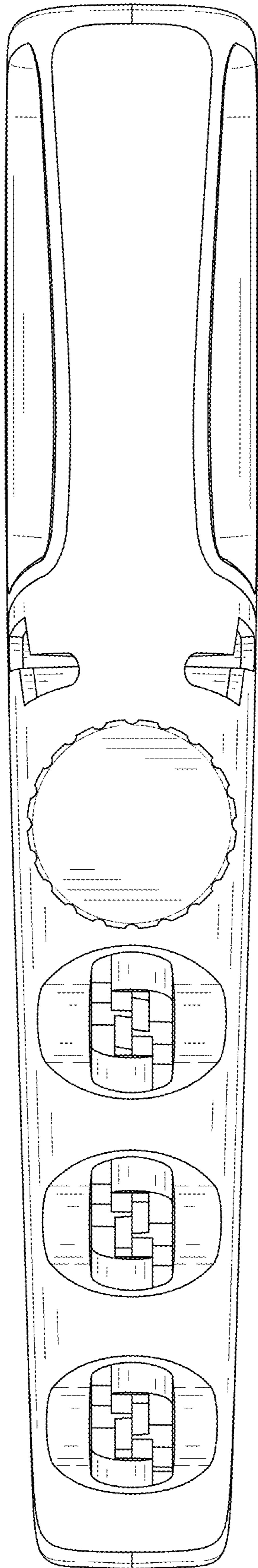


FIG. 7



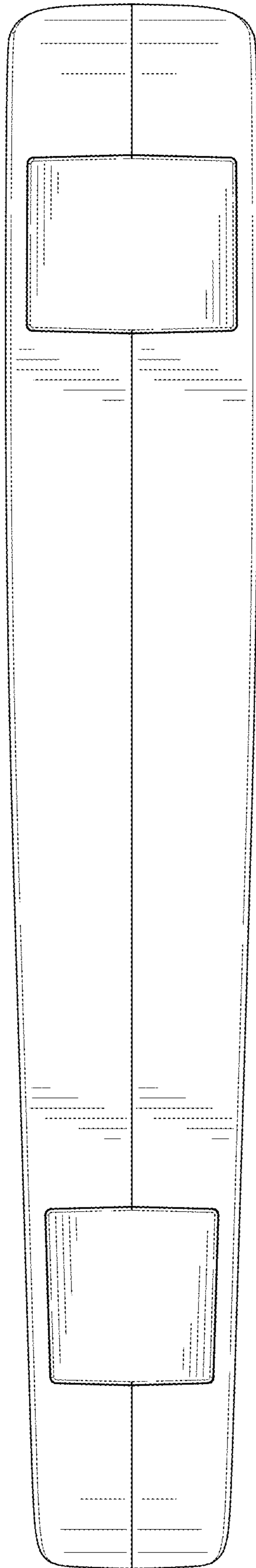


FIG. 8