



US00D962032S

(12) **United States Design Patent** (10) **Patent No.:** **US D962,032 S**
Yang et al. (45) **Date of Patent:** **** *Aug. 30, 2022**

(54) **NAIL GUN** 7,413,105 B1 * 8/2008 Ho B25C 1/001
227/120
(71) Applicant: **Zhejiang Prulde Electric Appliance** 7,516,532 B2 * 4/2009 Wojcicki B25C 1/005
Co., Ltd., Zhejiang (CN) 227/109
2006/0118591 A1 * 6/2006 Ho B25C 1/008
(72) Inventors: **Weiming Yang, Zhejiang (CN); Ting** 2009/0050668 A1 * 2/2009 Jian B25C 5/16
Han, Zhejiang (CN) 227/126

(73) Assignee: **Zhejiang Prulde Electric Appliance**
Co., Ltd., Zhejiang (CN)

FOREIGN PATENT DOCUMENTS

(*) Notice: This patent is subject to a terminal disclaimer.

CN 305234730 6/2019
EM 006302311-0004 4/2019

(**) Term: **15 Years**

OTHER PUBLICATIONS

(21) Appl. No.: **29/718,530**

Jim Wilcox. "The Best Finish Nailer." The Smart Consumer., Feb. 10, 2018 [online], [retrieved on Oct. 12, 2020]. Retrieved from the Internet <URL: <https://www.thesmartconsumer.com/best-finish-nailer>>.*

(22) Filed: **Dec. 26, 2019**

(51) **LOC (13) Cl.** **08-05**

(Continued)

(52) **U.S. Cl.**
USPC **D8/69**

Primary Examiner — Darlington Ly

(58) **Field of Classification Search**
USPC D8/61-70
CPC .. B25C 1/001; B25C 1/04; B25C 1/06; B25C
1/041; B25C 1/047
See application file for complete search history.

(74) *Attorney, Agent, or Firm* — JCIP Global Inc.

(57) **CLAIM**

The ornamental design for a nail gun, as shown and described.

(56) **References Cited**

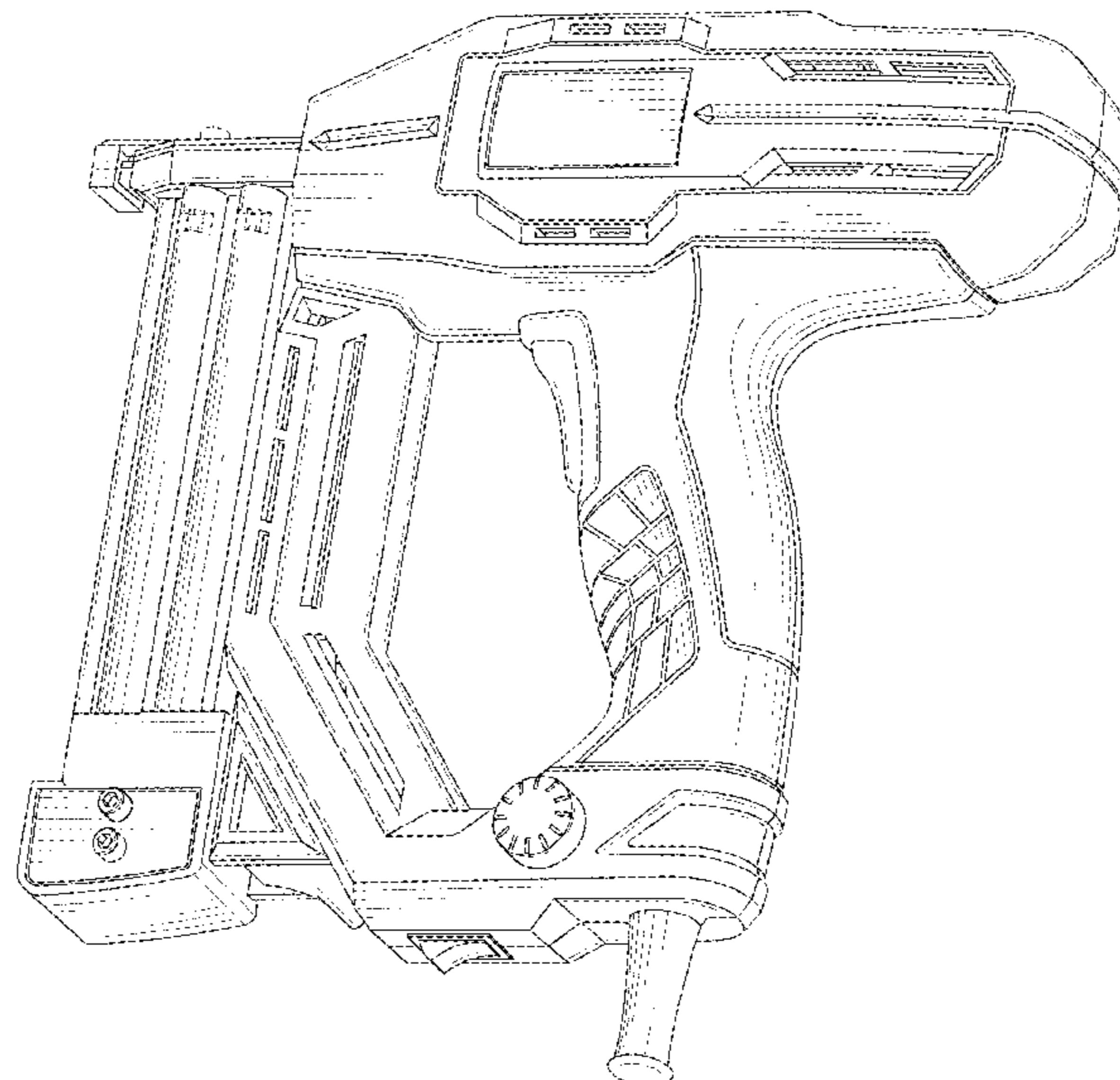
DESCRIPTION

U.S. PATENT DOCUMENTS

6,045,024 A * 4/2000 Phillips B25C 1/005
227/10
D435,769 S * 1/2001 Etter D8/68
D475,597 S * 6/2003 Arai D8/68
D478,490 S * 8/2003 Wu D8/68
D479,110 S * 9/2003 Nolan D8/68
6,913,180 B2 * 7/2005 Schuster B25C 1/005
227/109
D512,622 S * 12/2005 Thomas D8/69
D553,931 S * 10/2007 Buck D8/68
7,284,685 B1 * 10/2007 Wojcicki B25C 1/005
227/119

FIG. 1 is a bottom, rear, and right side perspective view of a nail gun embodying our new design; FIG. 2 is a front elevation view thereof; FIG. 3 is a rear elevation view thereof; FIG. 4 is a left side elevation view thereof; FIG. 5 is a right side elevation view thereof; FIG. 6 is a top plan view thereof; and, FIG. 7 is a bottom plan view thereof. The broken line showing of portions of the nail gun forms no part of the claimed design.

1 Claim, 7 Drawing Sheets



(56)

References Cited

OTHER PUBLICATIONS

Michael M Selby. "7 Best Finish Nailer Reviews 2019 | A Complete Buying Guide To Choose Top Finish Nailerr." Tools Ivy., Dec. 31, 2018 [online], [retrieved on Oct. 12, 2020]. Retrieved from the Internet <URL: <https://toolsivy.com/best-finish-nailer/>>.*

* cited by examiner

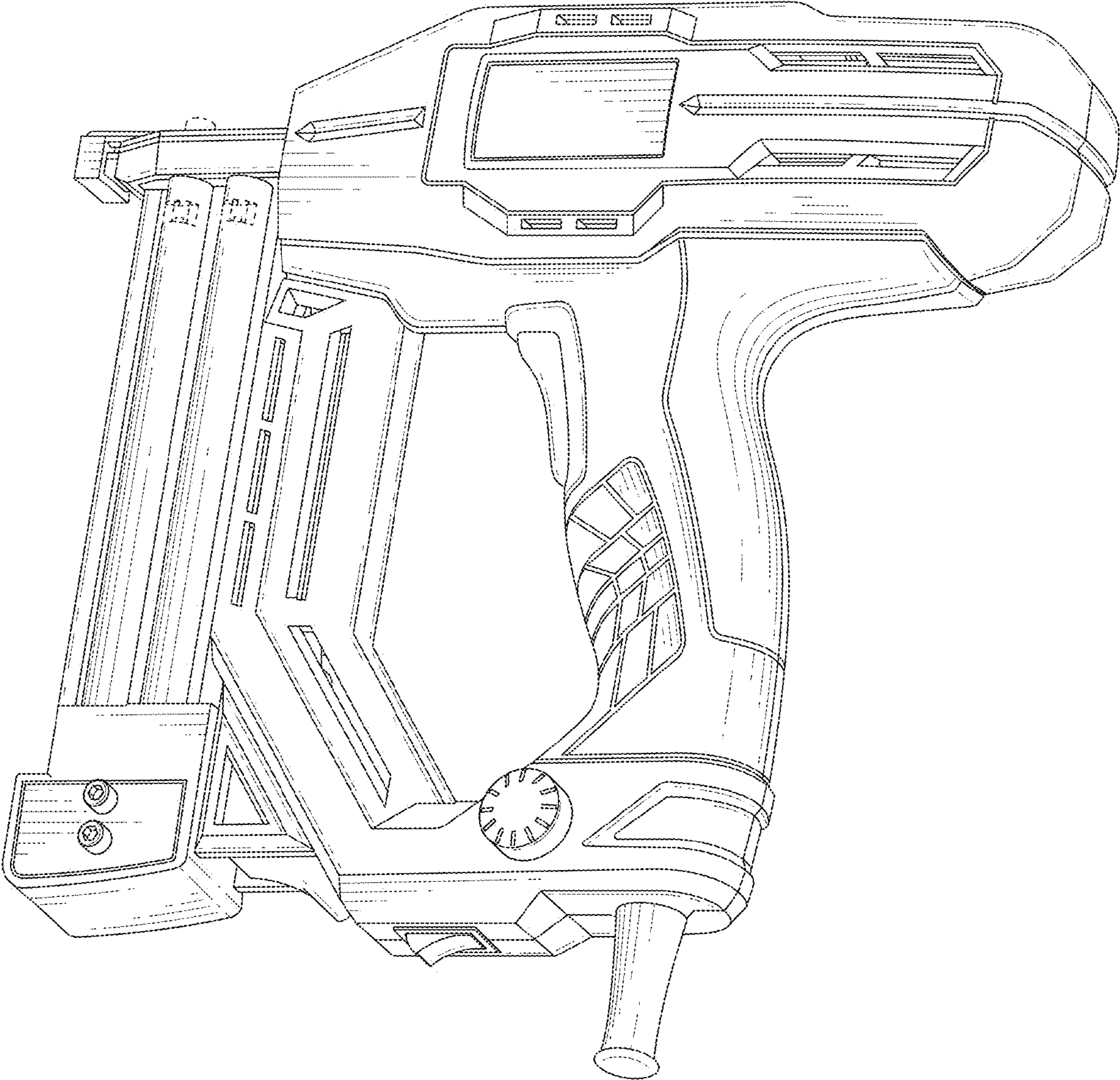


FIG. 1

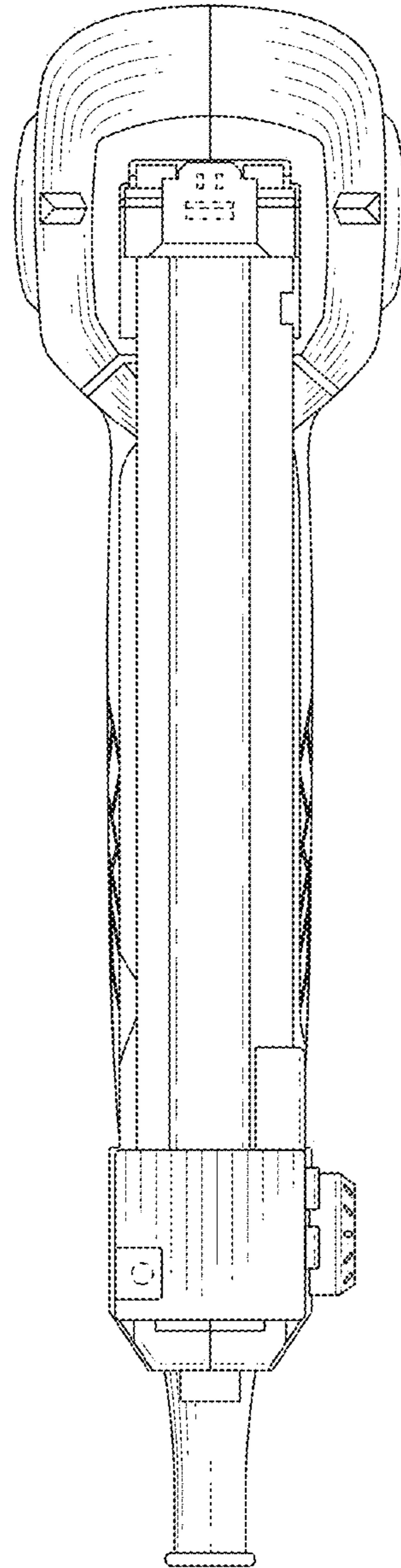


FIG. 2

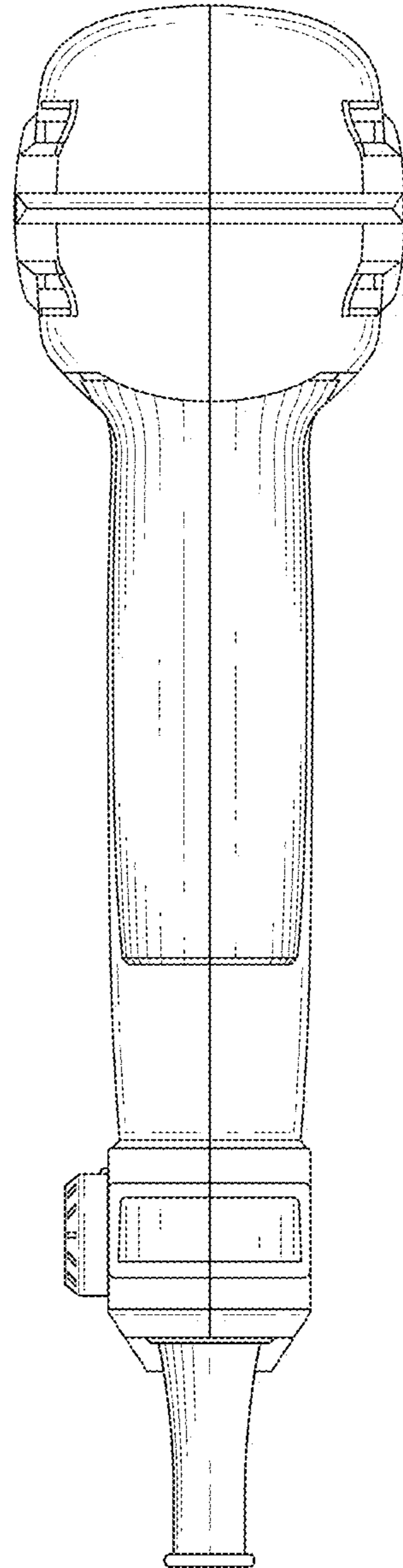


FIG. 3

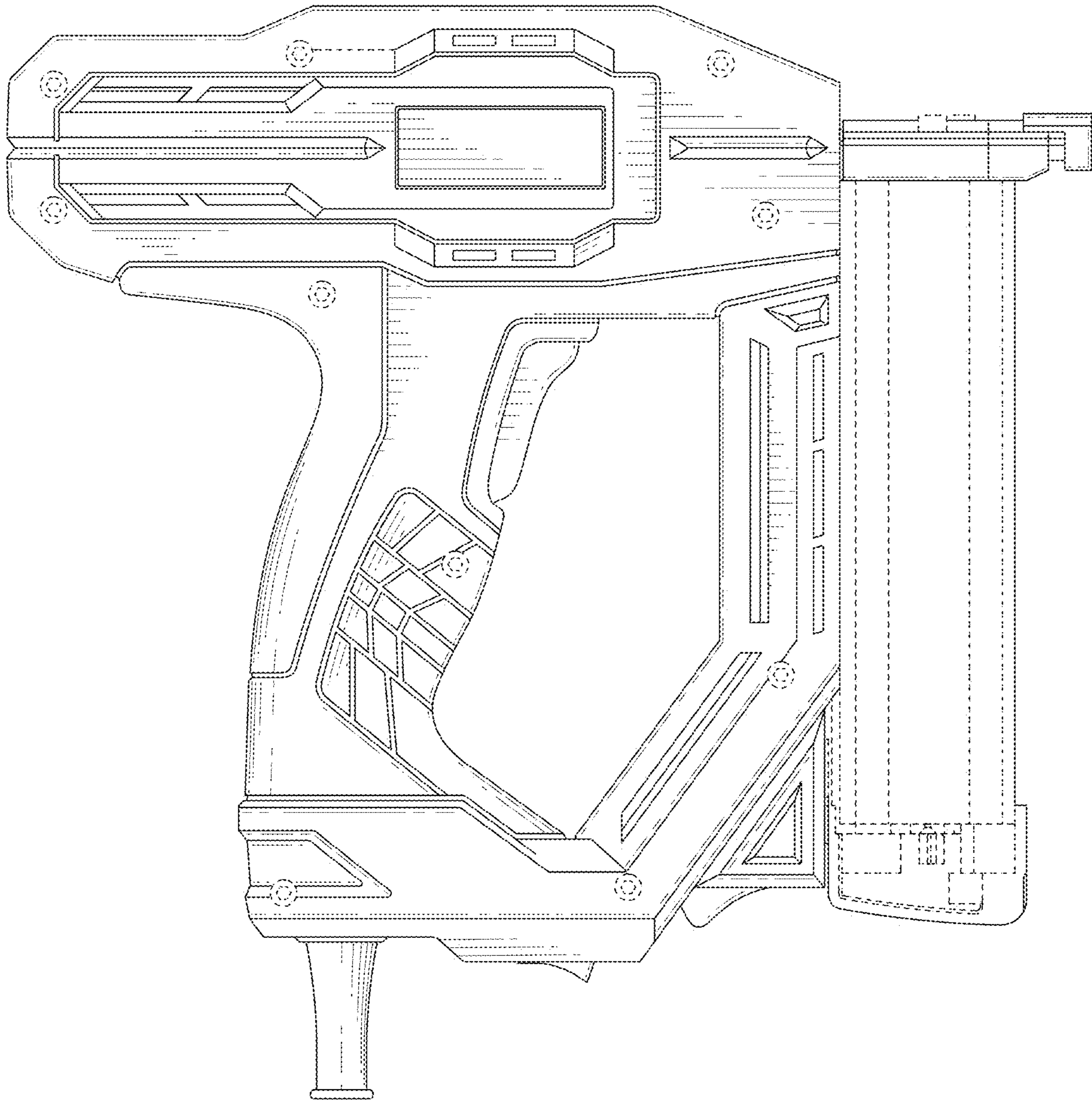


FIG. 4

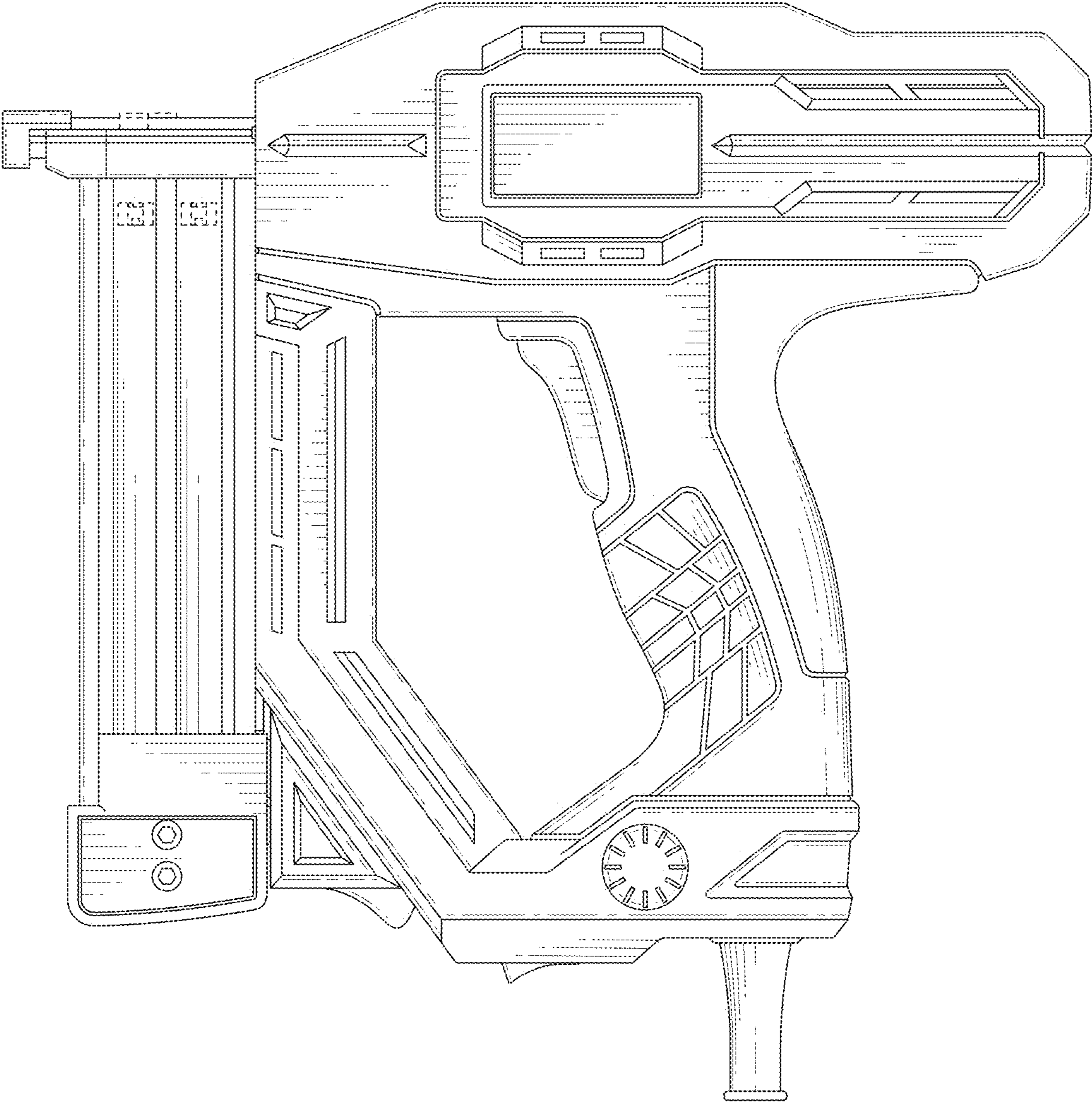


FIG. 5

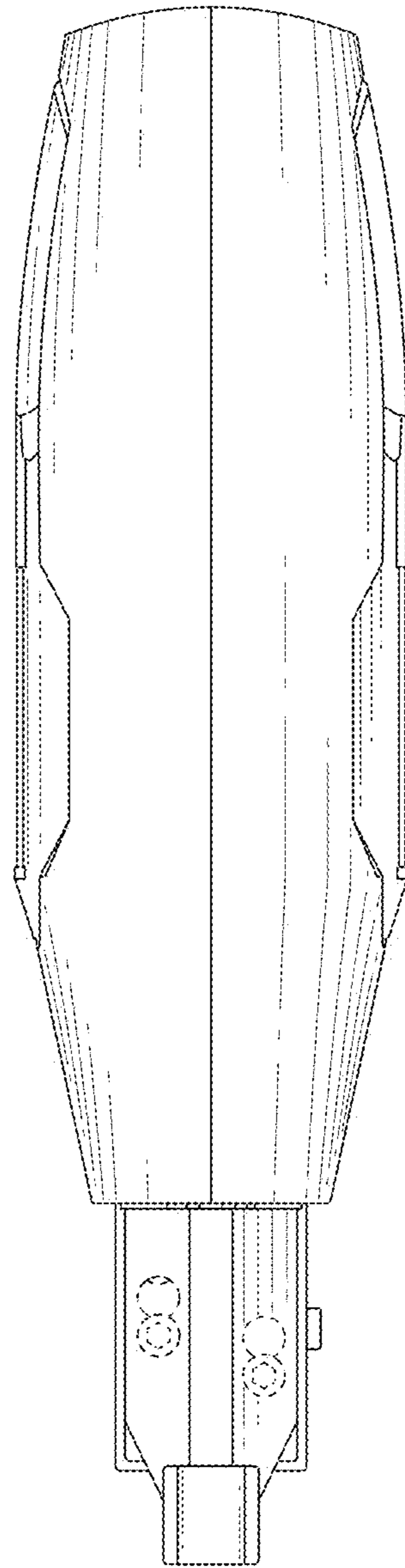


FIG. 6

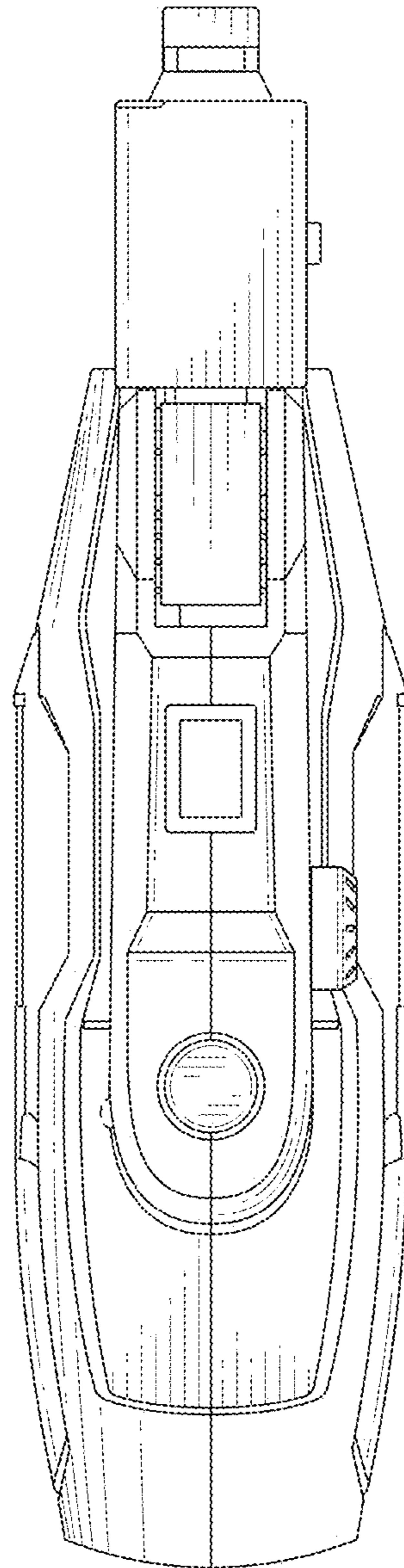


FIG. 7