



US00D962031S

(12) **United States Design Patent**
Kosugi et al.

(10) **Patent No.:** **US D962,031 S**

(45) **Date of Patent:** **** Aug. 30, 2022**

(54) **PORTABLE ELECTRIC DRIVER BODY**

(71) Applicant: **Koki Holdings Co., Ltd.**, Tokyo (JP)

(72) Inventors: **Shingo Kosugi**, Ibaraki (JP); **Rui Akiba**, Ibaraki (JP); **Shota Takeuchi**, Ibaraki (JP)

(73) Assignee: **Koki Holdings Co., Ltd.**, Tokyo (JP)

(**) Term: **15 Years**

(21) Appl. No.: **29/761,342**

(22) Filed: **Dec. 8, 2020**

(30) **Foreign Application Priority Data**

Jun. 26, 2020 (JP) 2020-012882 D

(51) **LOC (13) Cl.** **08-05**

(52) **U.S. Cl.**
USPC **D8/68**

(58) **Field of Classification Search**
USPC D8/61, 67, 68
CPC B62D 23/005; B62D 29/00; B62D 29/043;
B62D 31/00; B62D 33/046; B62D 35/00;
B62D 35/001; B60Q 1/0005
See application file for complete search history.

(56) **References Cited**

U.S. PATENT DOCUMENTS

D524,136 S *	7/2006	Taniguchi	D8/68
D525,099 S *	7/2006	Nagasaka	D8/68
D556,002 S *	11/2007	Ino	D8/68
D567,615 S *	4/2008	Taniguchi	B25F 5/02
				D8/68
D577,558 S *	9/2008	Taniguchi	D8/68
D579,743 S *	11/2008	Lopano	D8/68
D584,123 S *	1/2009	Lopano	D8/68
D585,715 S *	2/2009	Okuda	D8/68
D585,716 S *	2/2009	Taniguchi	D8/68
D606,376 S *	12/2009	Okuda	D8/68

D610,421 S * 2/2010 Taniguchi D8/68
D614,468 S * 4/2010 Aglassinger B25F 5/02

D617,622 S * 6/2010 Lopano D8/68

(Continued)

OTHER PUBLICATIONS

Kenny Koehler. "Best Cordless Impact Driver Reviews 2022." Pro Tool Reviews., Jan. 5, 2022 [online], [retrieved on May 3, 2022]. Retrieved from the Internet <URL: <https://www.protoolreviews.com/best-impact-driver-review/>>.*

(Continued)

Primary Examiner — Darlington Ly

(74) *Attorney, Agent, or Firm* — JCIPRNET

(57) **CLAIM**

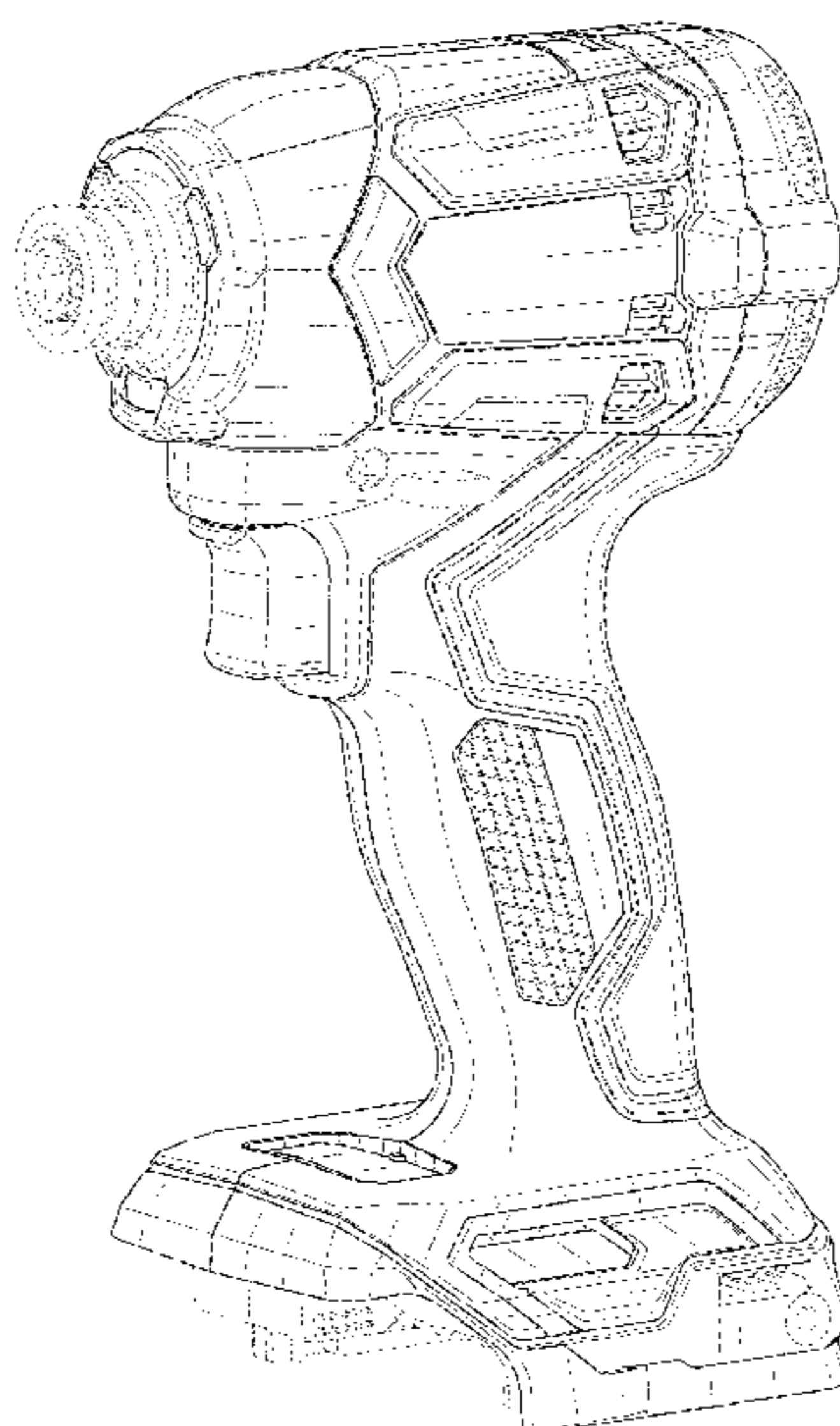
The ornamental design for a portable electric driver body, as shown and described.

DESCRIPTION

FIG. 1 is a front and right side perspective view of a portable electric driver body embodying our new design; FIG. 2 is a rear and left side perspective view thereof; FIG. 3 is a right side elevation view thereof; FIG. 4 is a left side elevation view thereof; FIG. 5 is a front elevation view thereof; FIG. 6 is a rear elevation view thereof; FIG. 7 is a top plan view thereof; FIG. 8 is a bottom plan view thereof; FIG. 9 is a front and right side perspective view thereof with a battery attached; and, FIG. 10 is a rear and left side perspective view thereof with a battery attached.

The broken lines illustrate portions of the portable electric driver body that form no part of the claimed design. The broken lines showing a battery in FIGS. 9 and 10 are for the purpose of illustrating environmental structure, and form no part of the claimed design.

1 Claim, 9 Drawing Sheets



(56)

References Cited

U.S. PATENT DOCUMENTS

D628,038	S	*	11/2010	Aoki	D8/68
D656,804	S	*	4/2012	Murray	D8/68
D672,627	S	*	12/2012	Kawase	D8/68
D677,137	S	*	3/2013	Kawase	D8/68
D678,024	S	*	3/2013	Taniguchi	D8/68
D679,160	S	*	4/2013	Okuda	D8/68
D679,161	S	*	4/2013	Kawase	D8/68
D691,444	S	*	10/2013	Tirone	B25F 5/02 D8/68
D700,822	S	*	3/2014	Tschopp	D8/68
D707,522	S	*	6/2014	Naksen	D8/68
D721,938	S	*	2/2015	Aoki	D8/68
D761,069	S	*	7/2016	Aoki	D8/68
D777,545	S	*	1/2017	Kosugi	D8/68

OTHER PUBLICATIONS

Bradley Ford. "The Best Impact Drivers for Any Job." Popular Mechanics., Dec. 21, 2021 [online], [retrieved on May 3, 2022]. Retrieved from the Internet <URL: <https://www.popularmechanics.com/home/tools/a27887717/impact-driver-reviews/>>.*

Itamar Ben Dor. "Best Impact Driver in 2022—The Definitive Guide: How to Cut Your Project Time in Half?." HandyMan Guide., Jan. 24, 2021 [online]. [retrieved on May 3, 2022]. Retrieved from the Internet <URL: <https://handyman.guide/impact-driver/>>.*

* cited by examiner

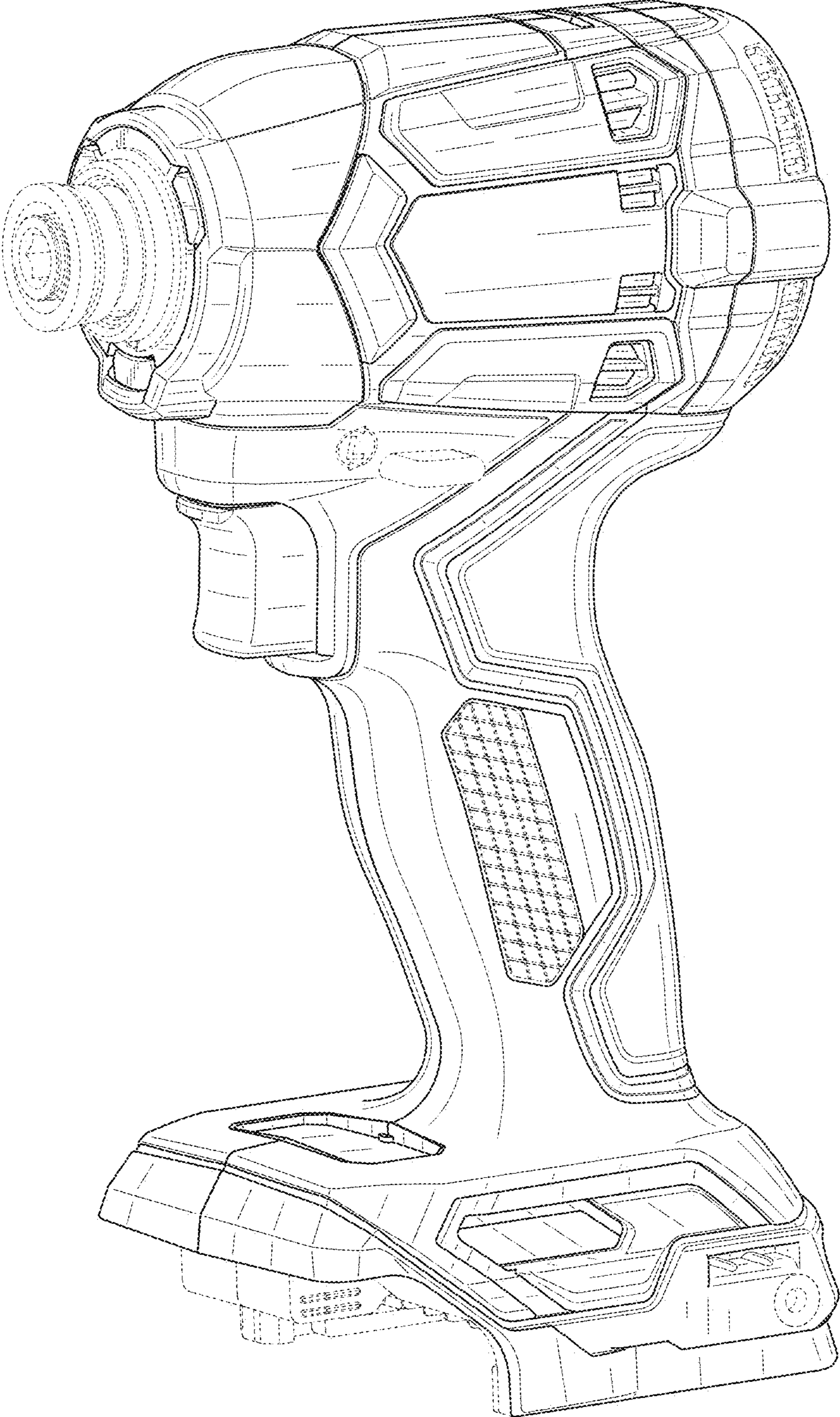


FIG. 1

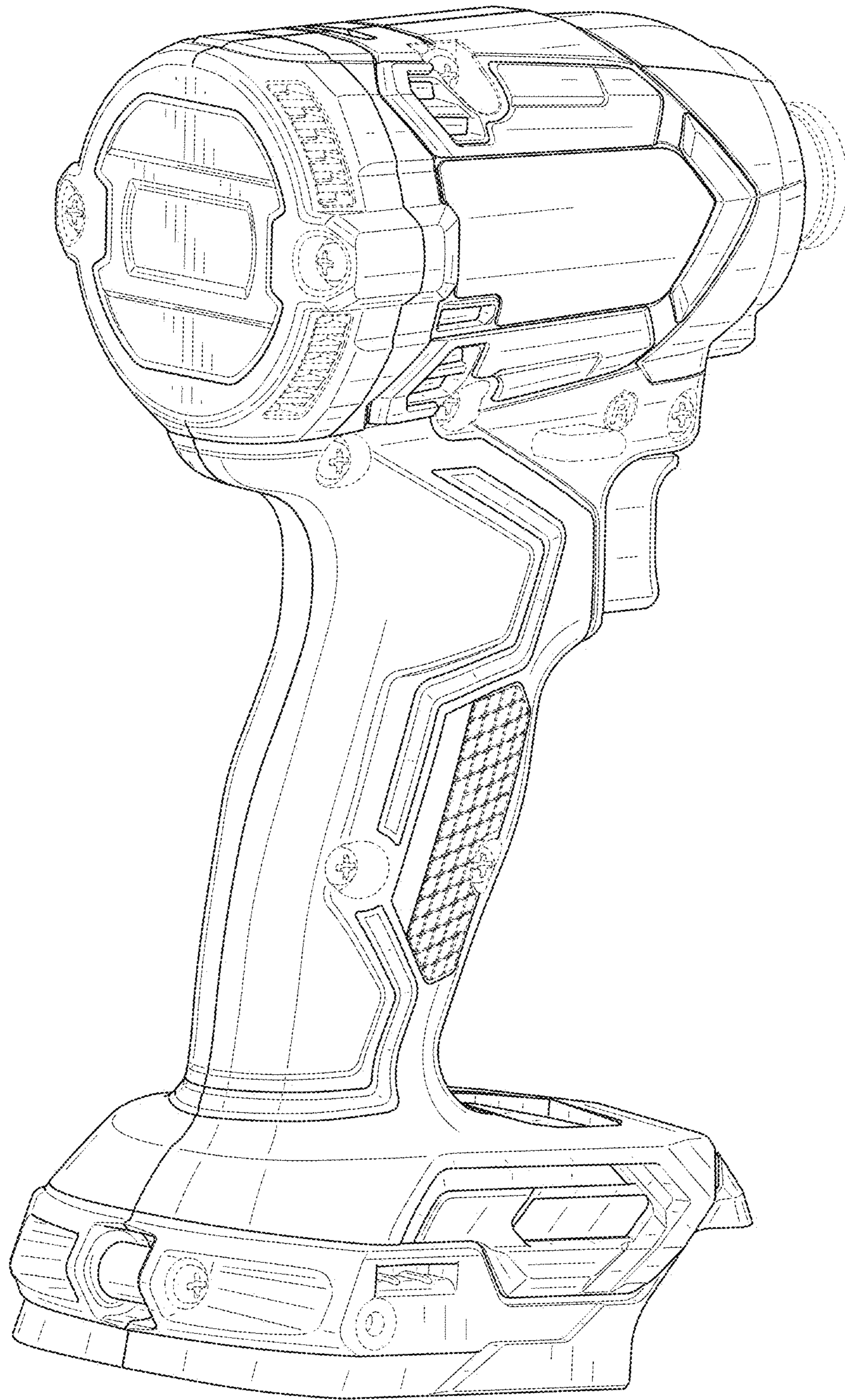


FIG. 2

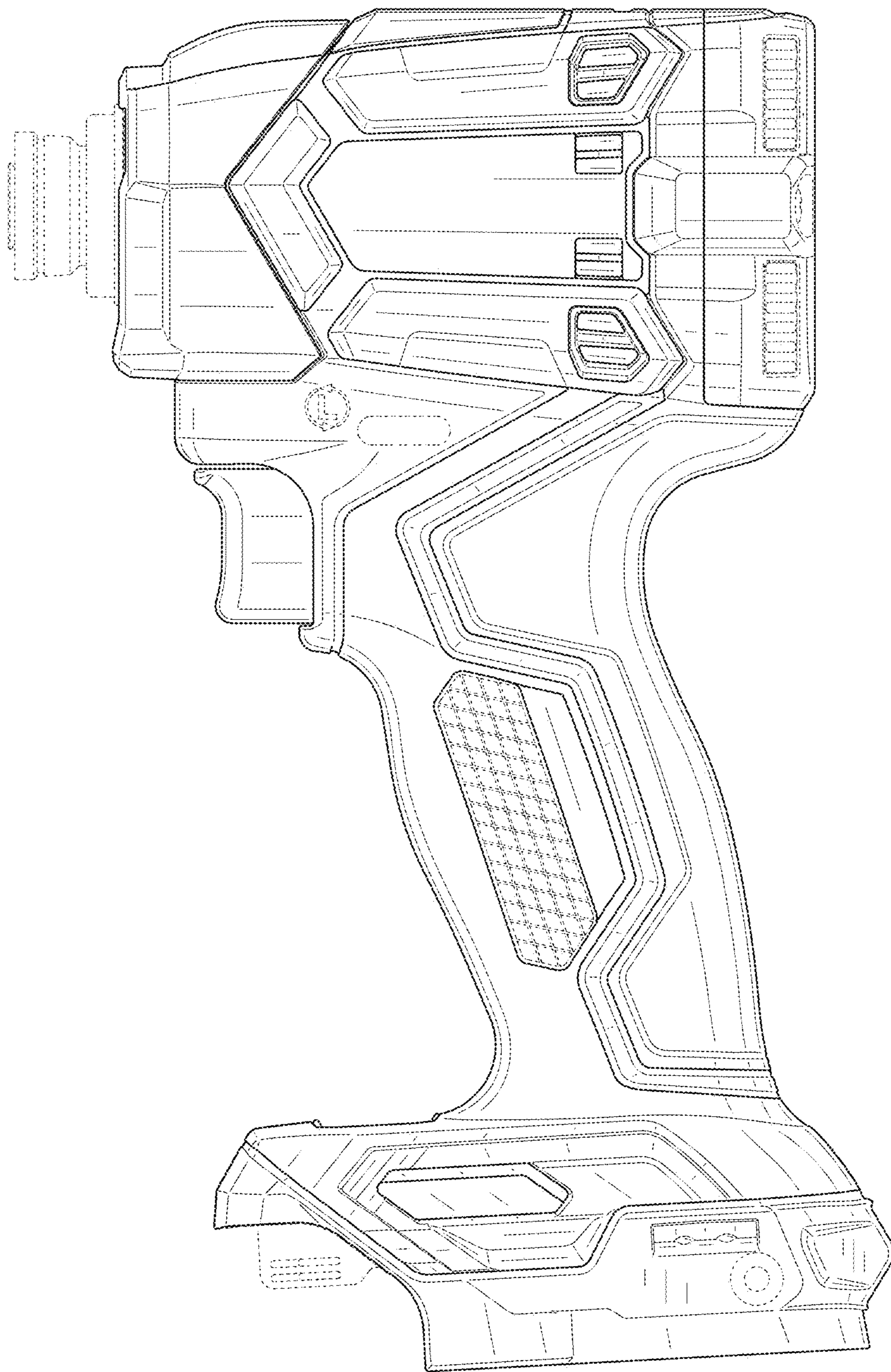


FIG. 3

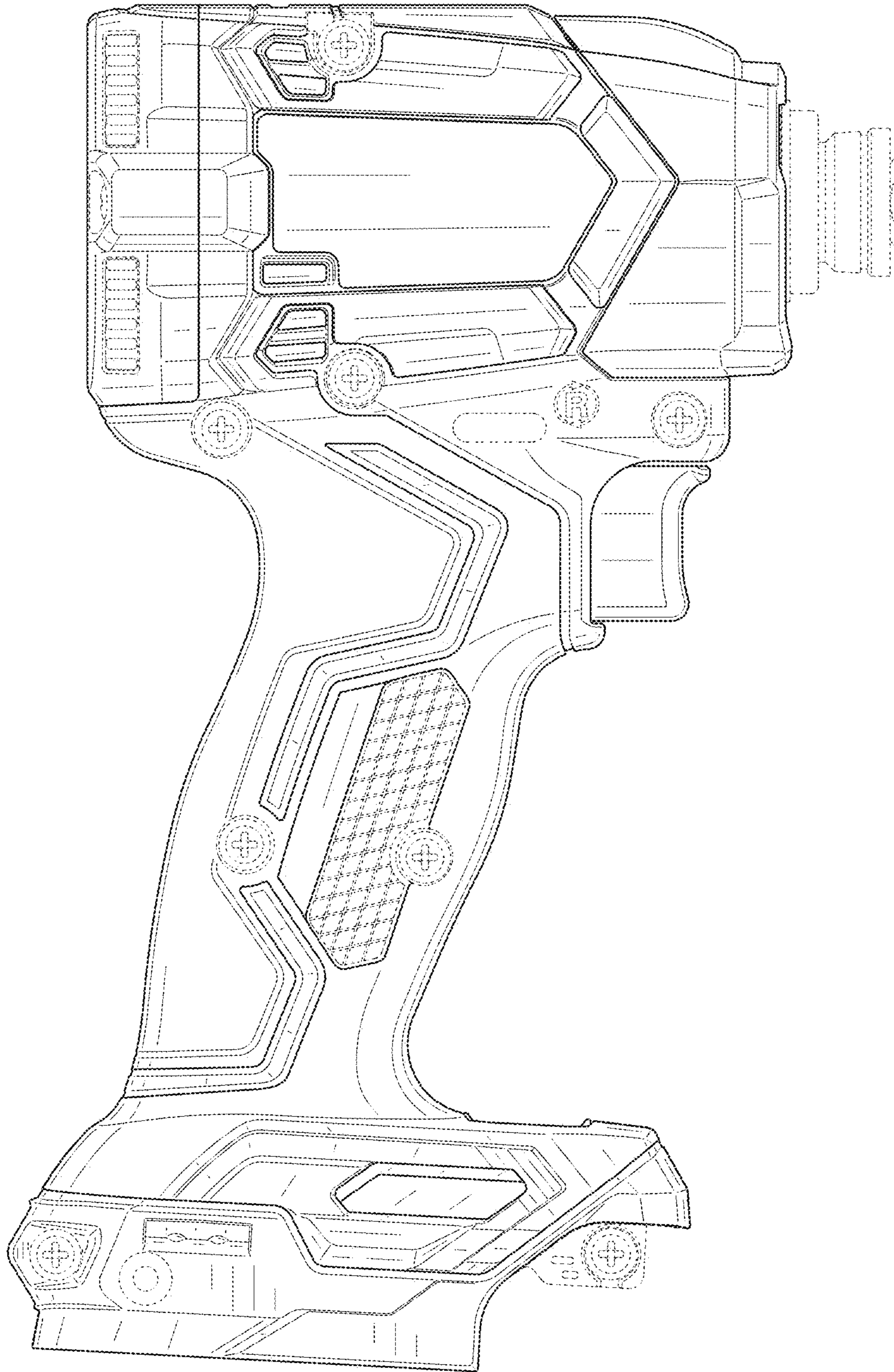


FIG. 4

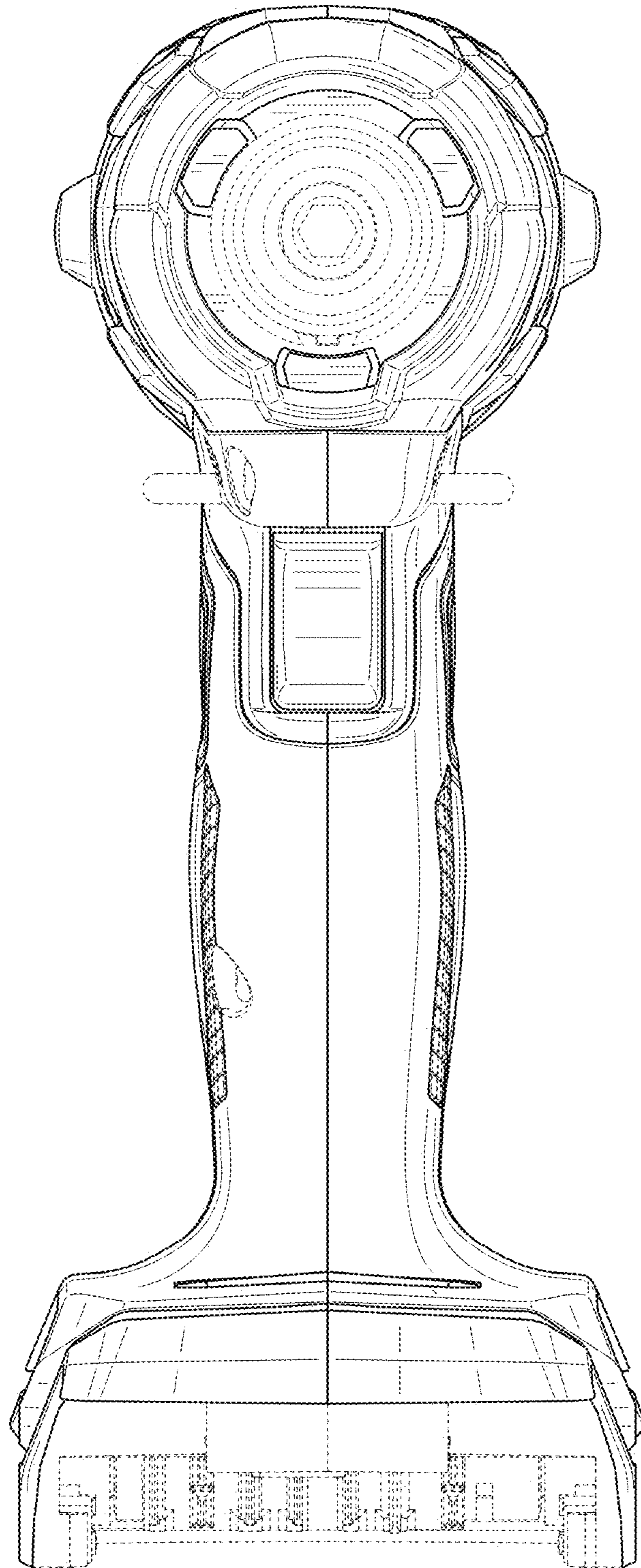


FIG. 5

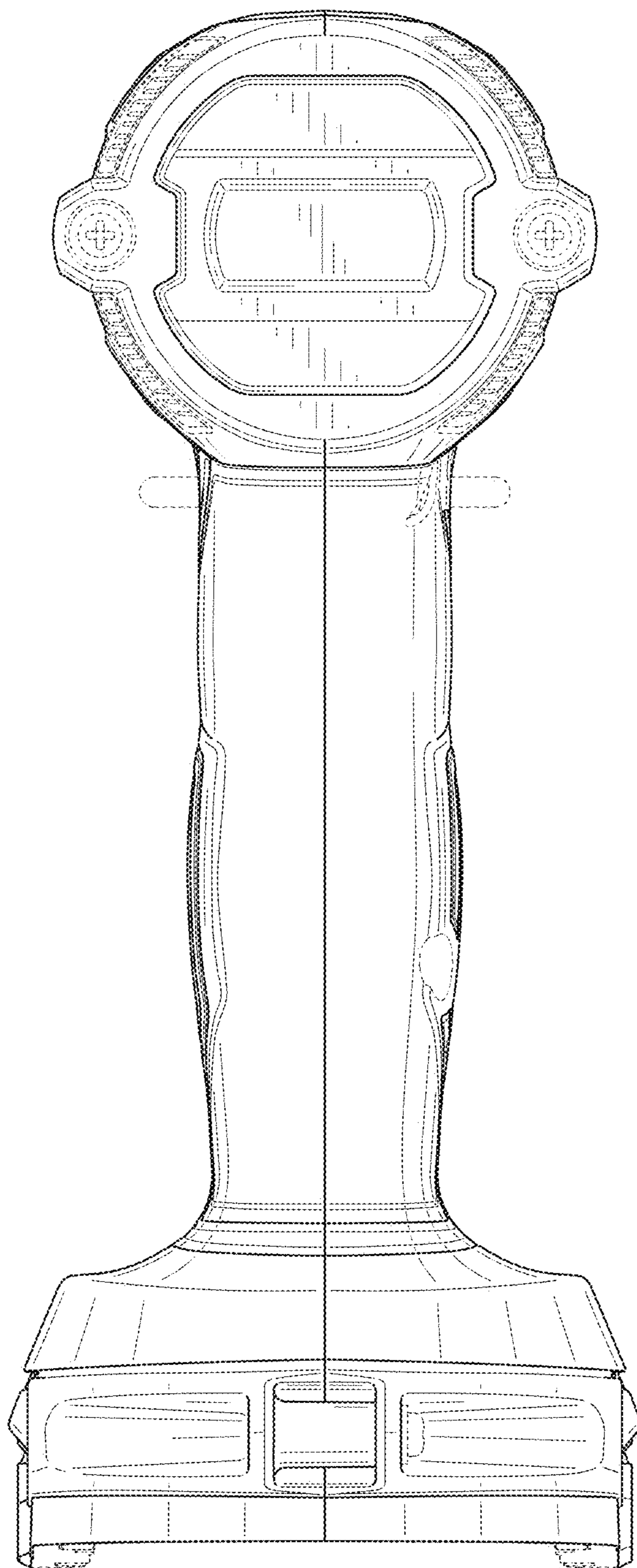


FIG. 6

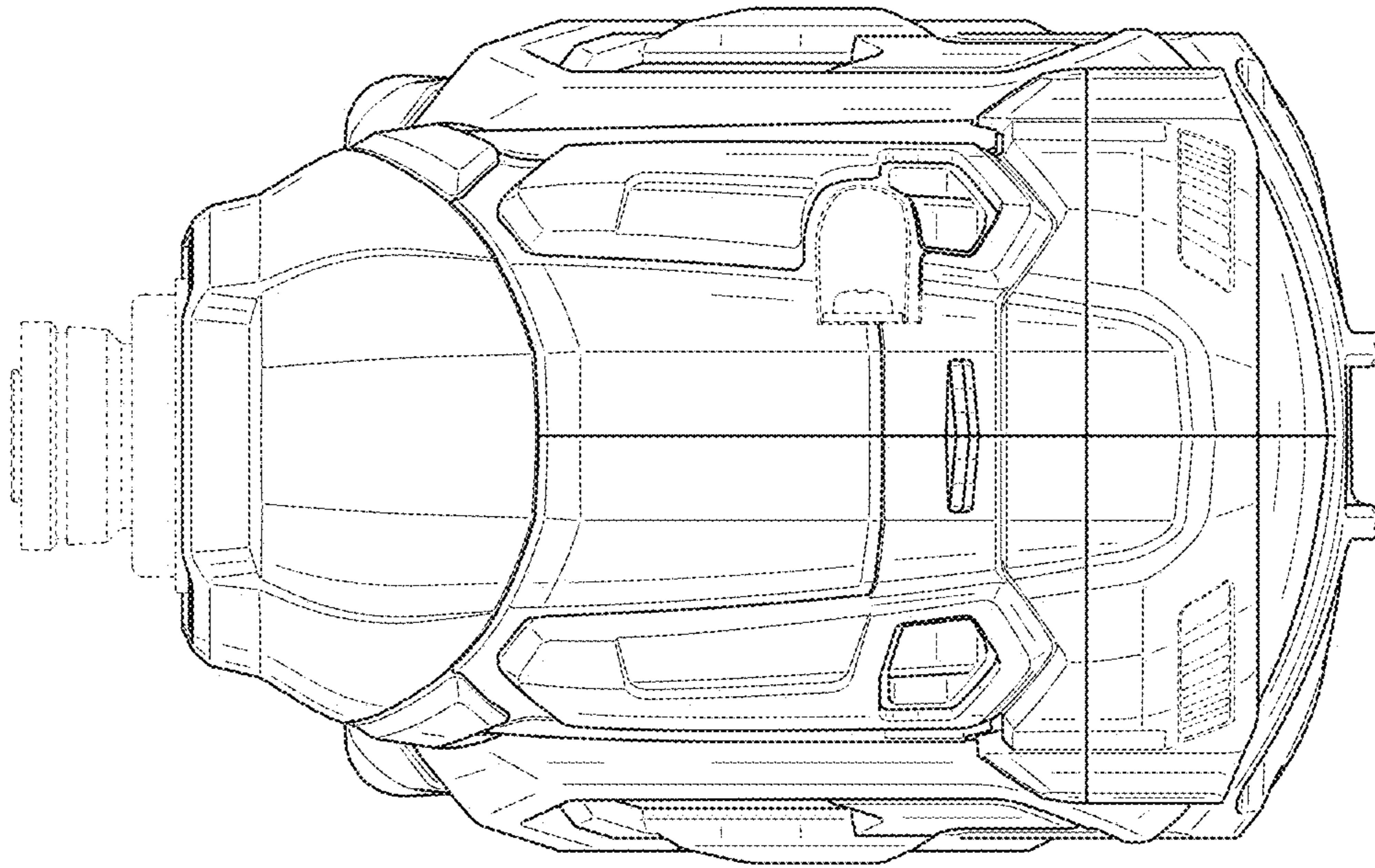


FIG. 7

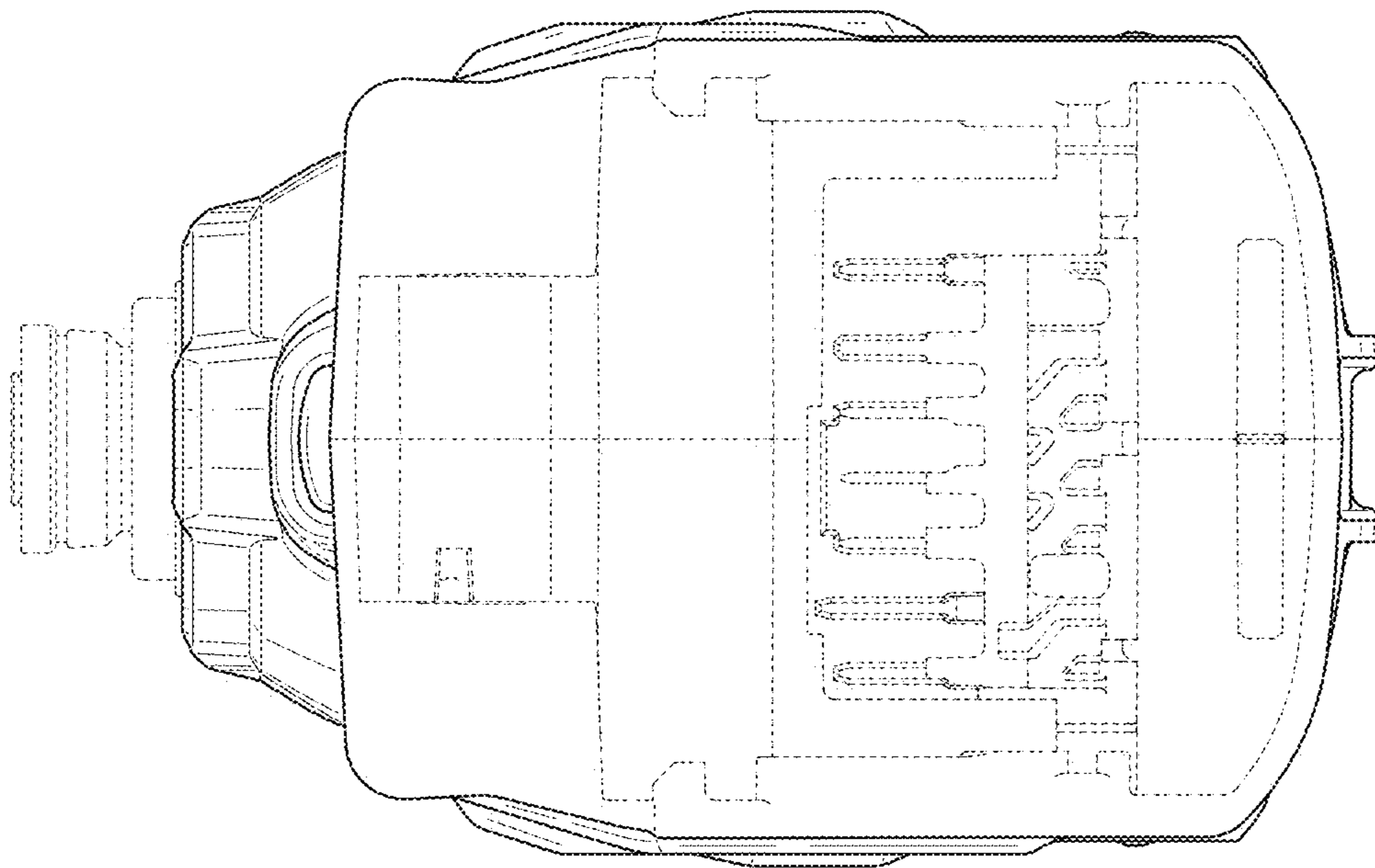


FIG. 8

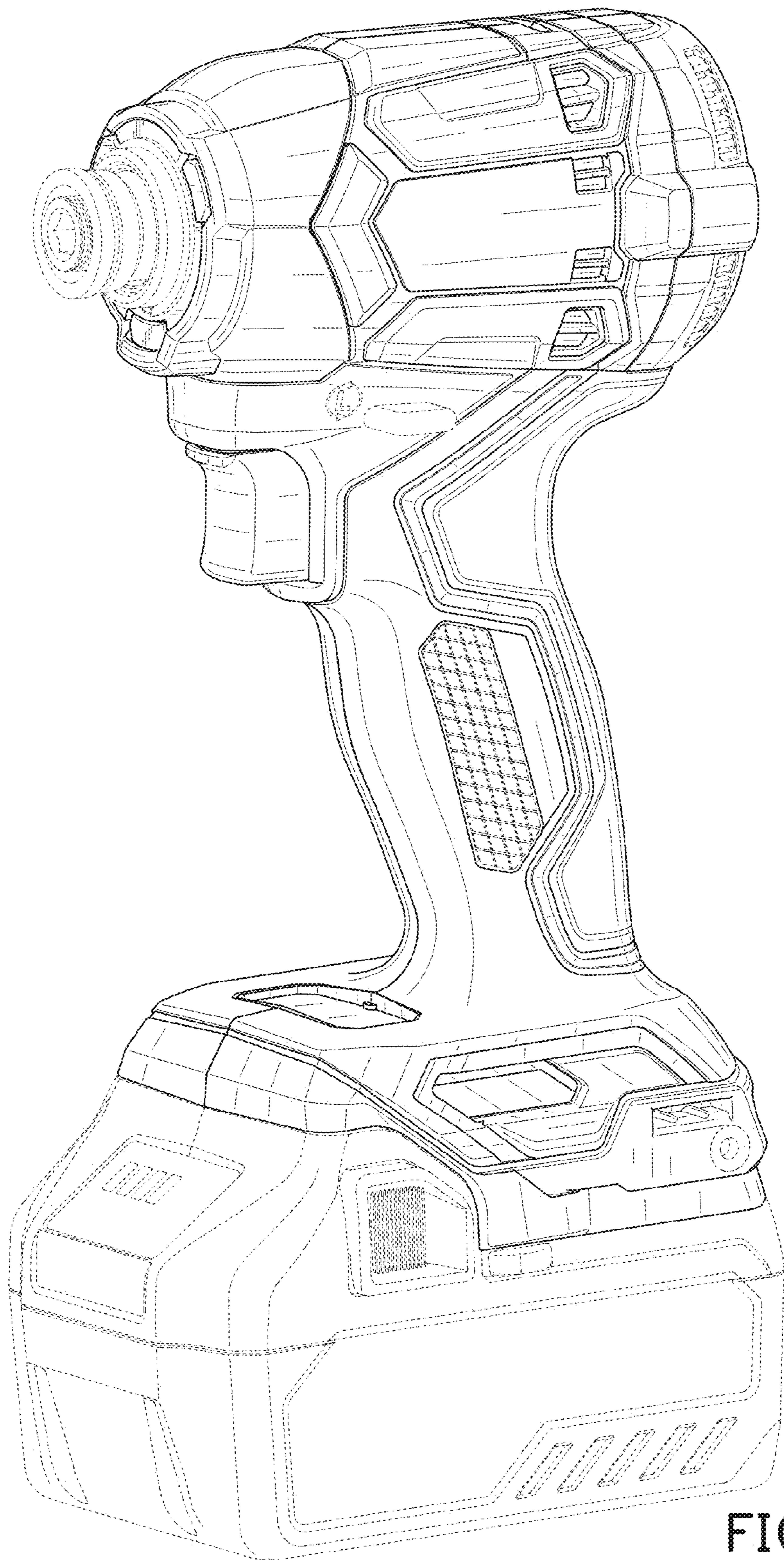


FIG. 9

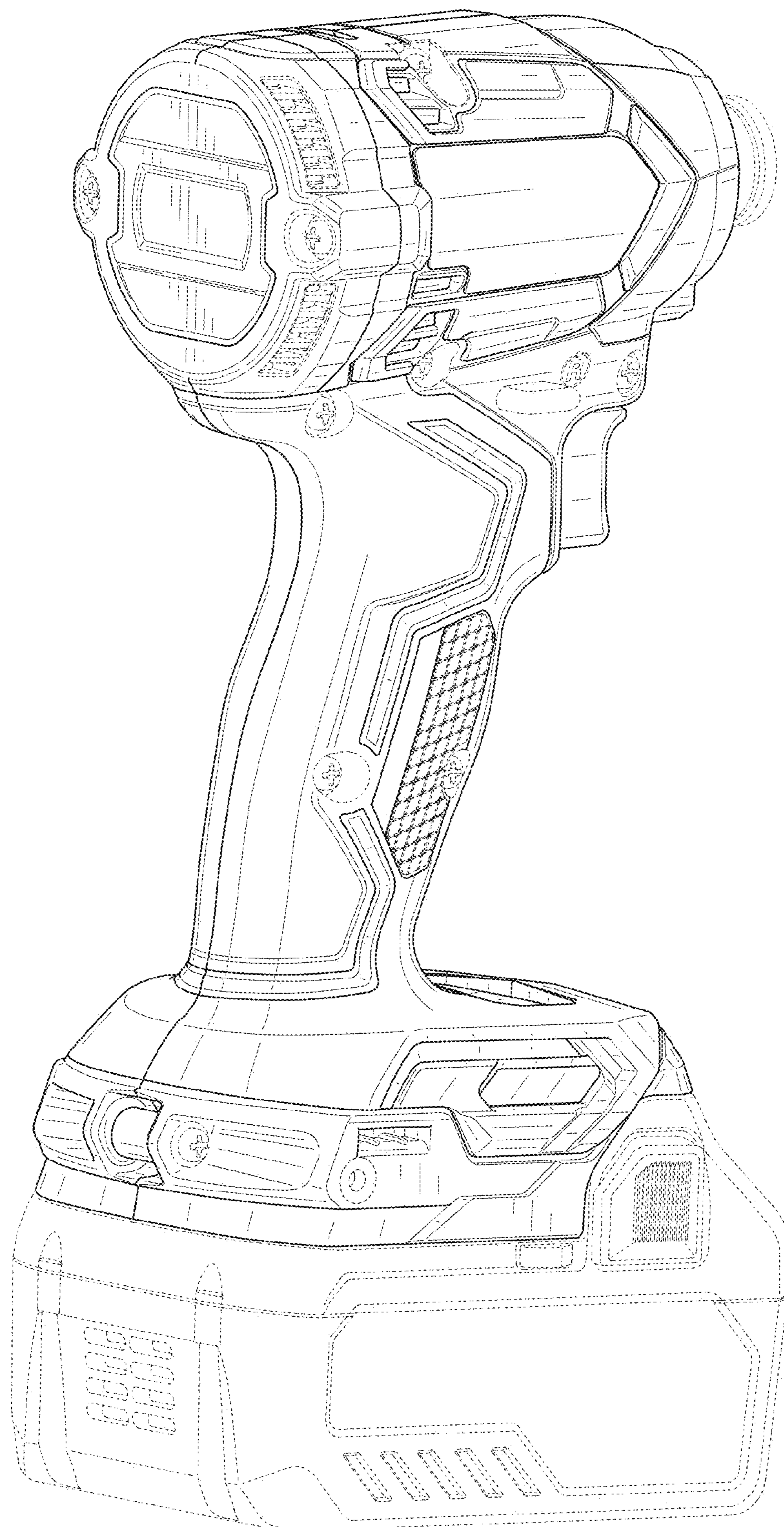


FIG. 10