

US00D962029S

(12) **United States Design Patent** (10) **Patent No.:** **US D962,029 S**
Kachline et al. (45) **Date of Patent:** **** Aug. 30, 2022**

(54) **WELDING TORCH HANDLE**
(71) Applicant: **Lincoln Global, Inc.**, Santa Fe Springs, CA (US)
(72) Inventors: **Jeffrey L. Kachline**, Highland Heights, OH (US); **Miguel A. Espiricueta Ulloa**, Coahuila (MX)
(73) Assignee: **LINCOLN GLOBAL, INC.**, Santa Fe Springs, CA (US)
(**) Term: **15 Years**
(21) Appl. No.: **29/768,217**
(22) Filed: **Jan. 28, 2021**
(51) **LOC (13) Cl.** **08-05**
(52) **U.S. Cl.**
USPC **D8/30**
(58) **Field of Classification Search**
USPC D8/30, 107; D15/144
CPC ... B23K 9/10; B23K 9/24; B23K 9/28; B23K 9/29; B23K 9/32; B23K 9/123; B23K 9/173; B23K 9/287
See application file for complete search history.

(56) **References Cited**
U.S. PATENT DOCUMENTS
6,979,799 B2 * 12/2005 Centner B23K 9/10 200/332.2
D532,432 S * 11/2006 Owens D8/107
D535,166 S * 1/2007 Kensrue D8/30
D537,092 S * 2/2007 Owens D8/107
D555,446 S * 11/2007 Picaza Ibarro D8/30
D638,270 S * 5/2011 Flattinger D8/30
D647,382 S * 10/2011 Flattinger D8/107
D735,002 S * 7/2015 Bondy D8/30
D752,403 S 3/2016 Kindig
D849,808 S * 5/2019 Assmann D8/107
D875,799 S * 2/2020 Crowe D8/30

D876,914 S * 3/2020 Mitterhumer D8/30
D881,664 S 4/2020 Vazquez et al.
D882,361 S 4/2020 Calandreli Cruz et al.
D883,055 S 5/2020 Vazquez et al.
D893,967 S 8/2020 Vazquez et al.
D945,230 S * 3/2022 Hartel D8/30
2004/0020909 A1 * 2/2004 Bauer B23K 9/295 219/137.31
2006/0219683 A1 * 10/2006 Kensrue B23K 9/28 219/137.31
2006/0226135 A1 * 10/2006 Zamuner B23K 9/28 219/137.31
2007/0164006 A1 * 7/2007 Burgstaller B23K 9/0956 219/130.01
2009/0152254 A1 * 6/2009 Giese B23K 9/287 219/137.31
2010/0314374 A1 * 12/2010 Ma B23K 9/123 219/136

(Continued)

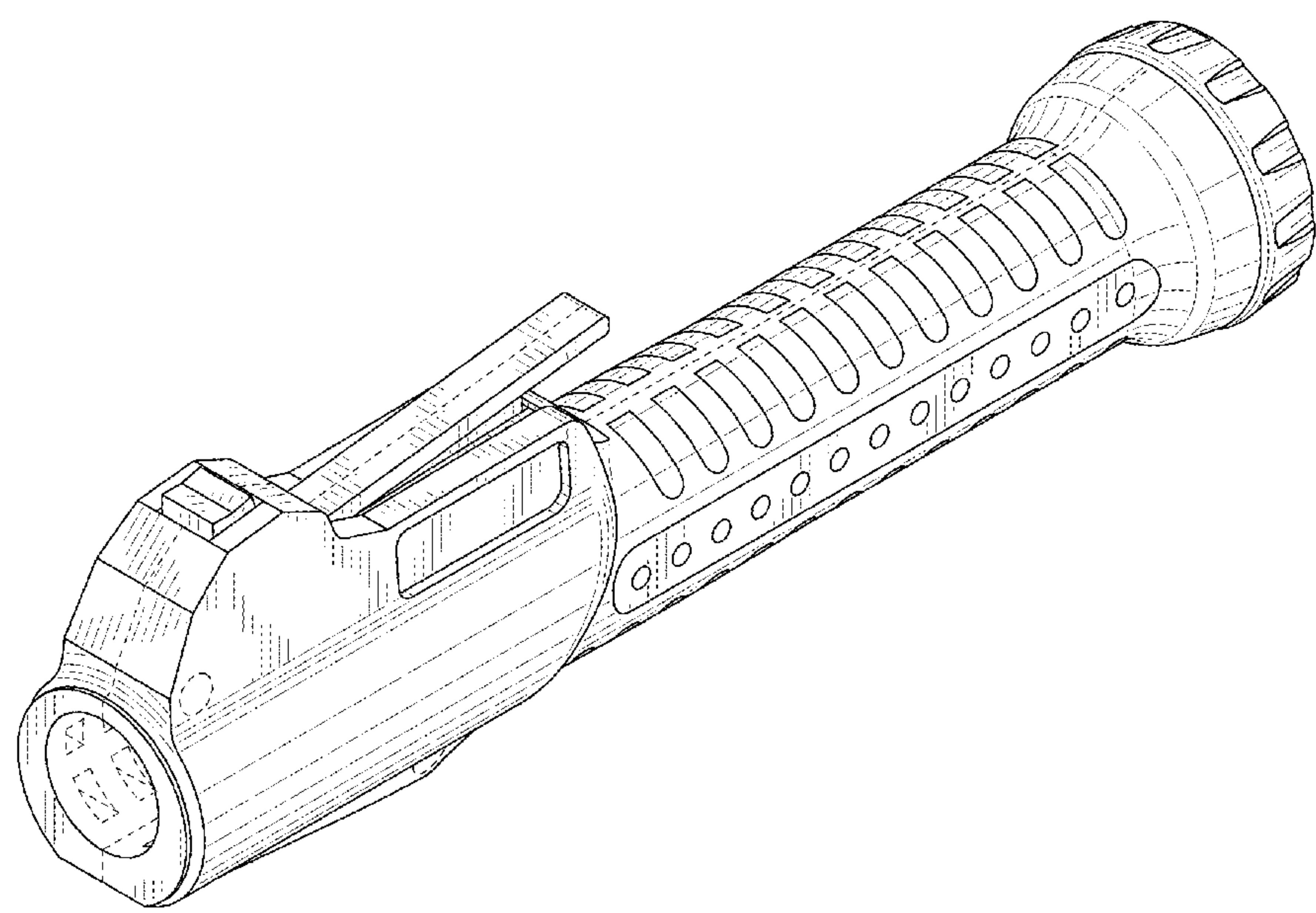
Primary Examiner — Philip S Hyder
(74) *Attorney, Agent, or Firm* — Brad C. Spencer

(57) **CLAIM**
The ornamental design for a welding torch handle, as shown and described.

DESCRIPTION

FIG. 1 is a perspective view of the design for a welding torch handle;
FIG. 2 is a right side view thereof;
FIG. 3 is a front view thereof;
FIG. 4 is a rear view thereof;
FIG. 5 is a left side view thereof;
FIG. 6 is a top plan view thereof;
FIG. 7 is a bottom plan view thereof; and,
FIG. 8 is a rear perspective view thereof.
The broken lines depict portions of the welding torch handle in which the design is embodied that form no part of the claimed design.

1 Claim, 7 Drawing Sheets



(56)

References Cited

U.S. PATENT DOCUMENTS

2011/0062131 A1* 3/2011 Binzel B23K 9/1087
219/136
2015/0129572 A1* 5/2015 Hassan B23K 9/173
219/137.62
2015/0190888 A1* 7/2015 Becker B23K 37/006
434/234
2015/0194072 A1* 7/2015 Becker G09B 9/00
434/234

* cited by examiner

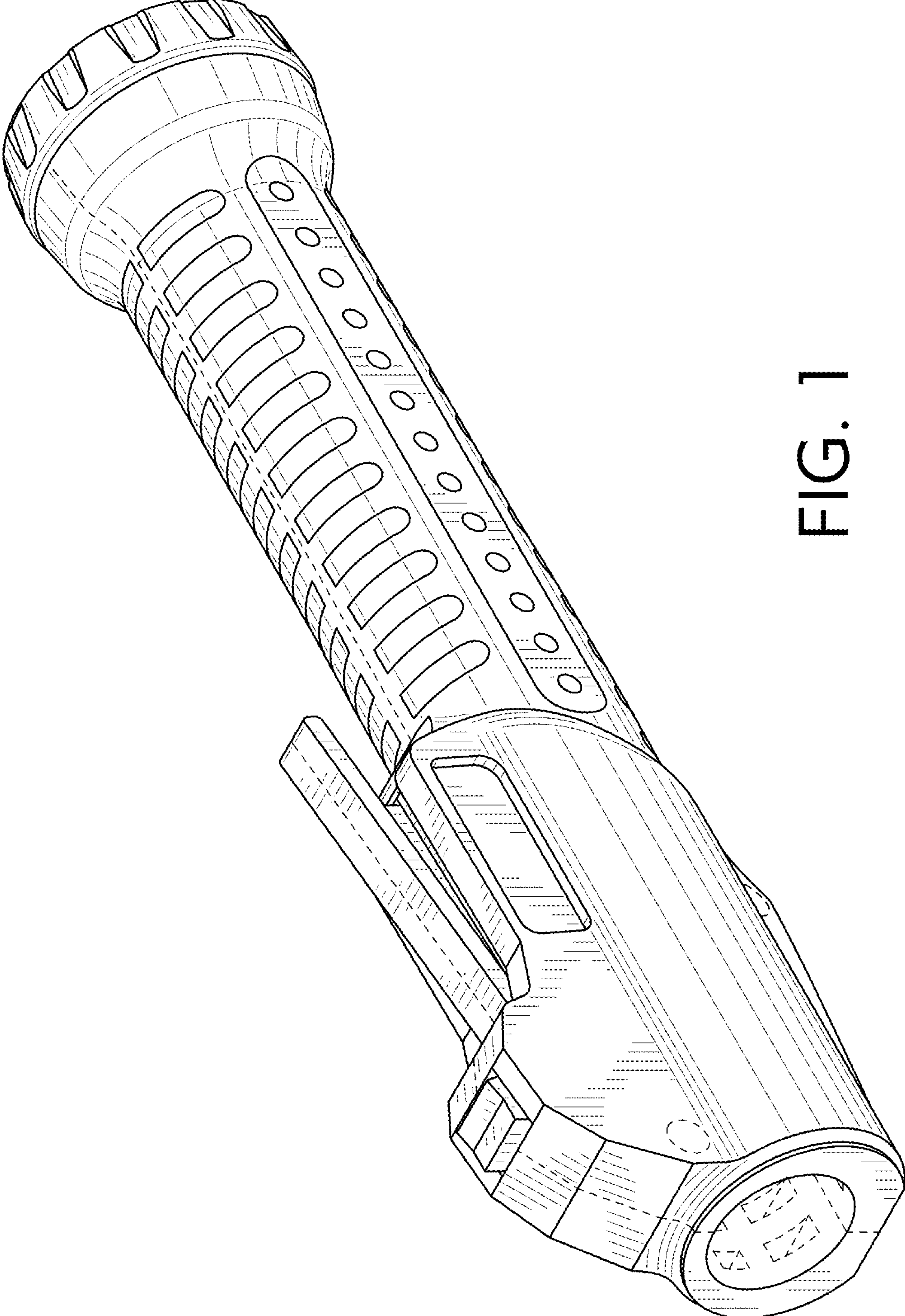


FIG. 1

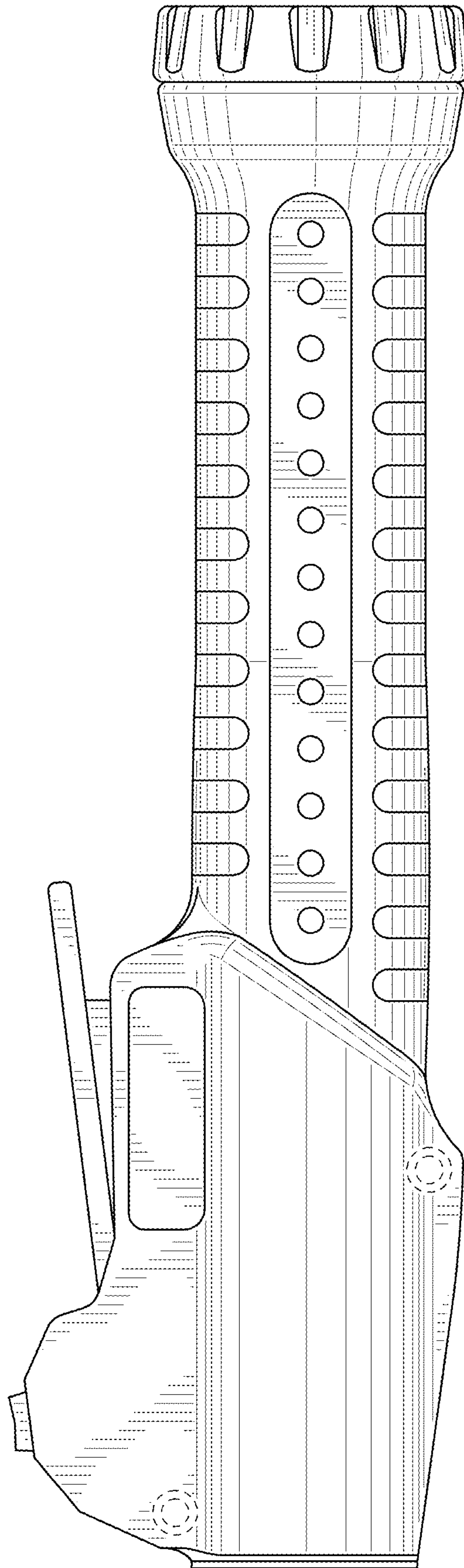


FIG. 2

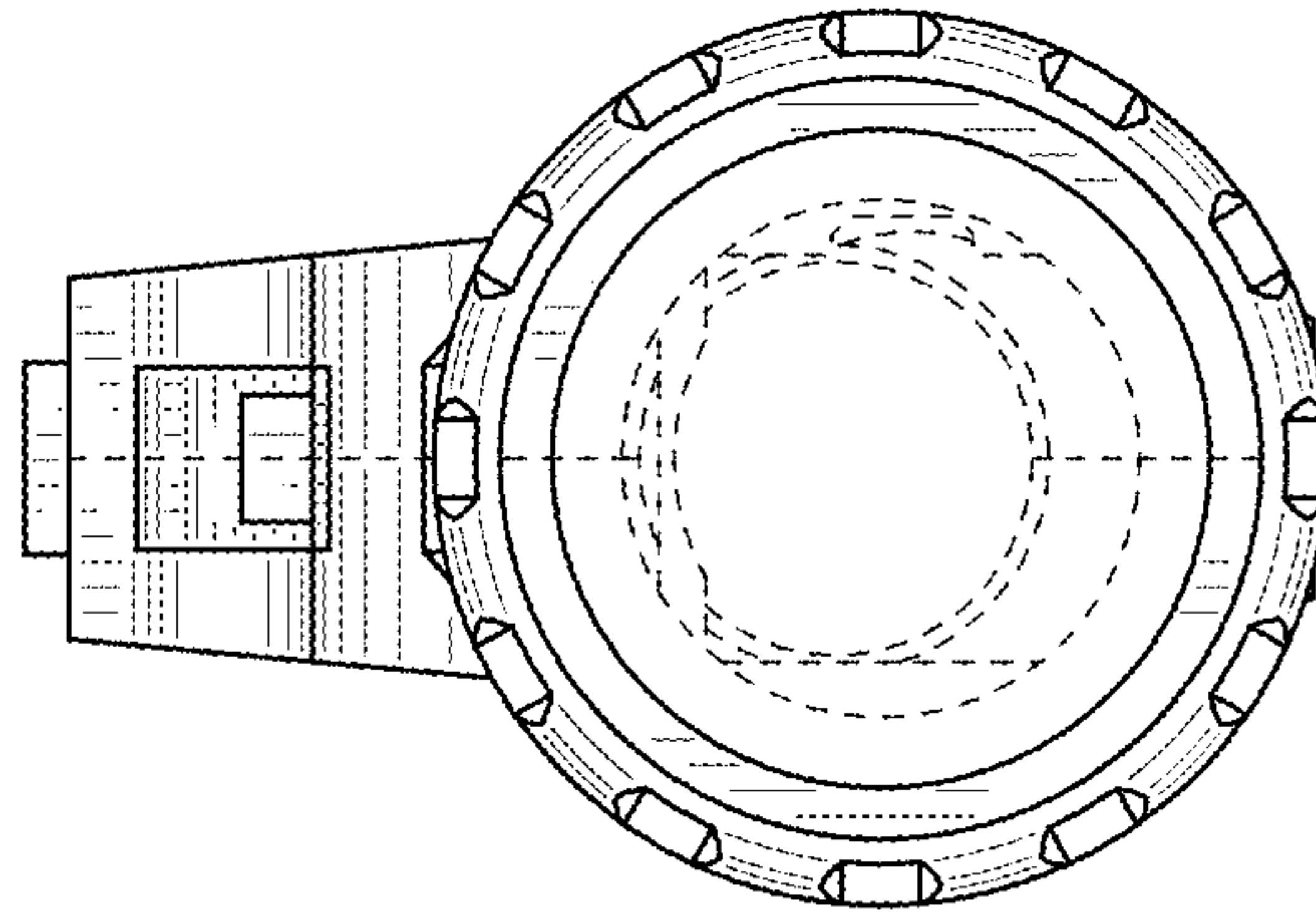


FIG. 4

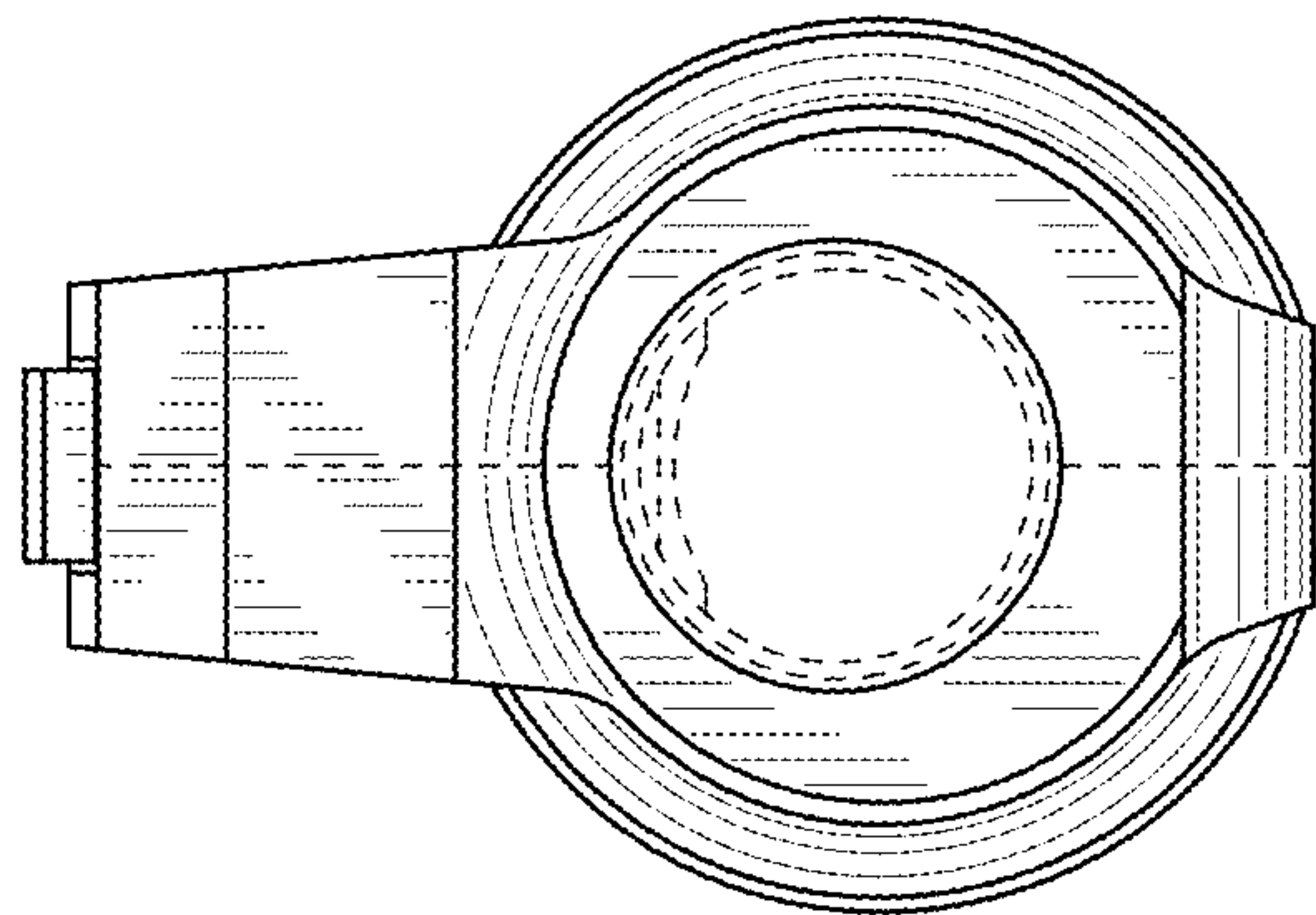


FIG. 3

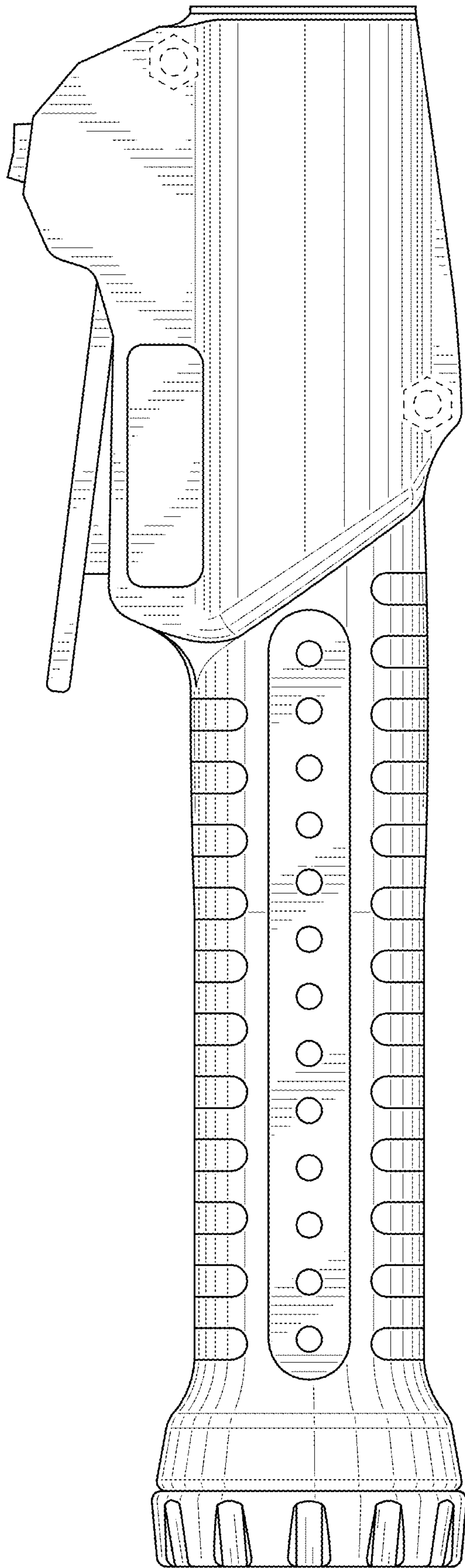


FIG. 5

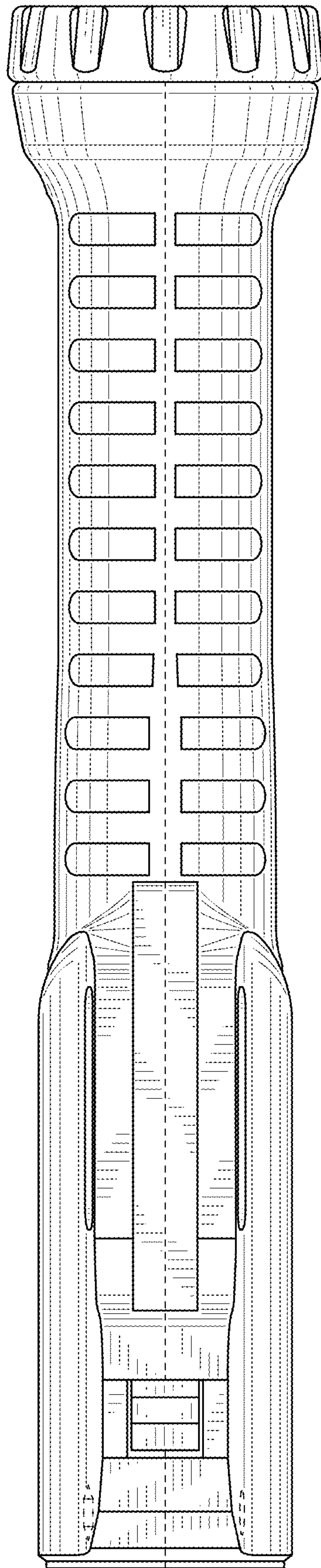


FIG. 6

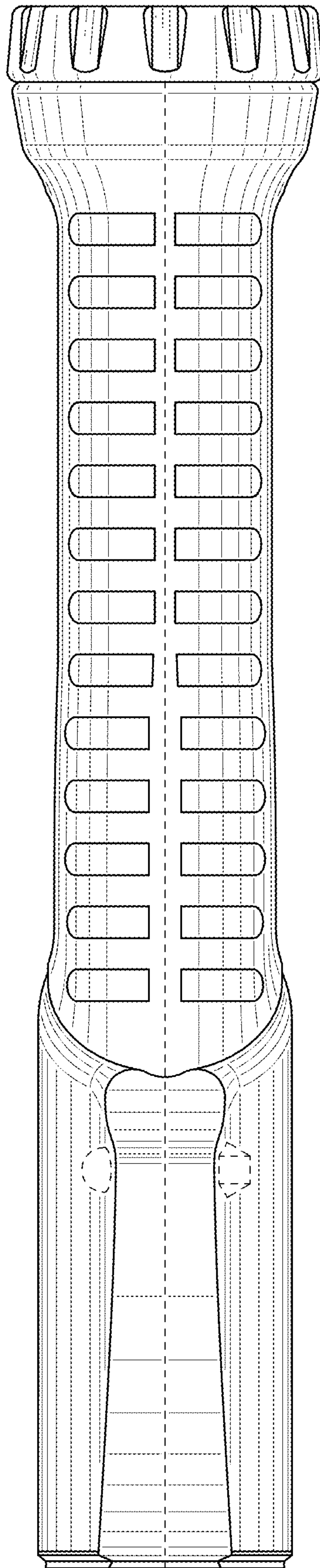


FIG. 7

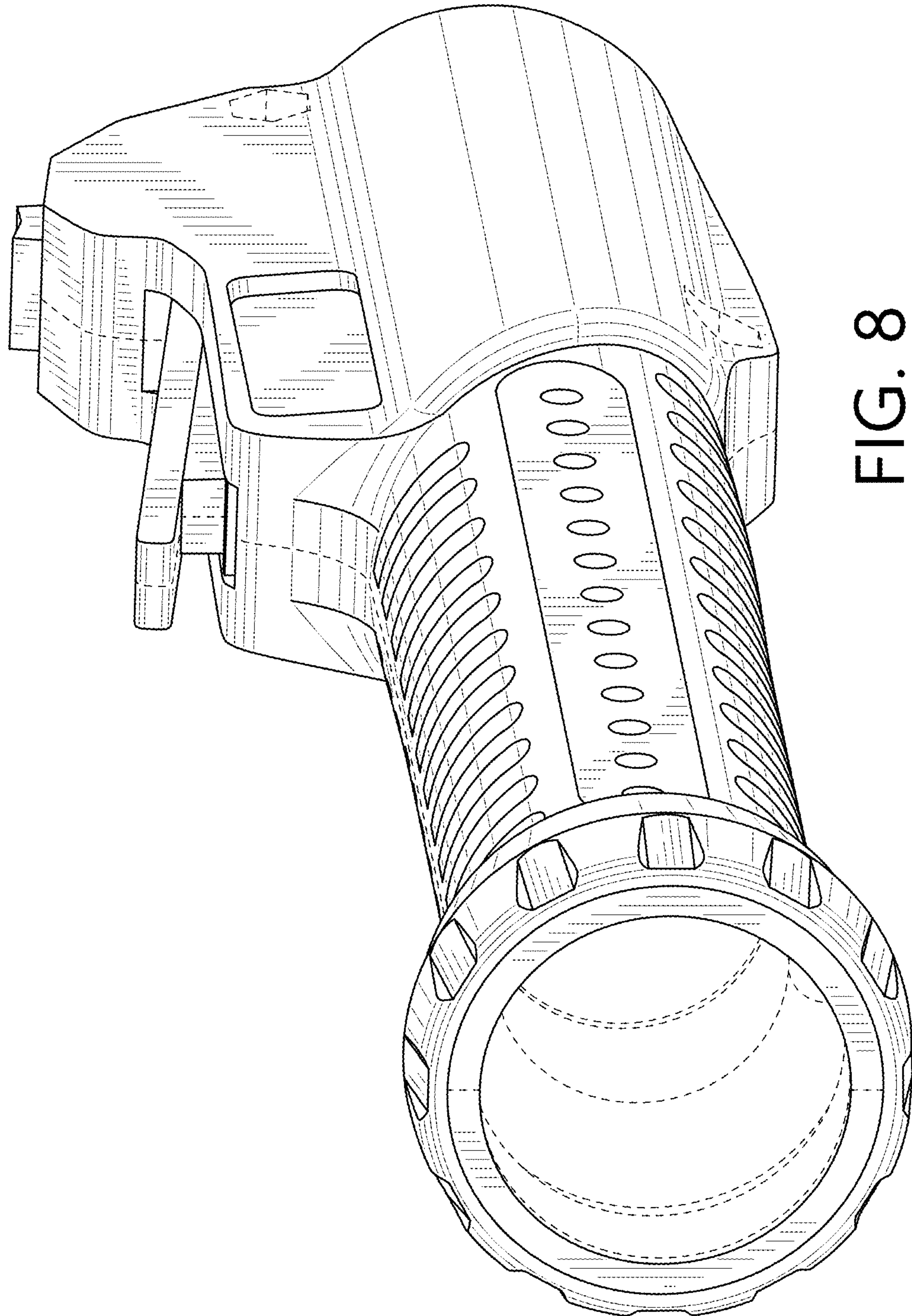


FIG. 8