



US00D962028S

(12) **United States Design Patent** (10) **Patent No.:** **US D962,028 S**  
**Kachline et al.** (45) **Date of Patent:** **\*\* Aug. 30, 2022**

(54) **WELDING TORCH HANDLE**  
(71) Applicant: **Lincoln Global, Inc.**, Santa Fe Springs, CA (US)  
(72) Inventors: **Jeffrey L. Kachline**, Highland Heights, OH (US); **Miguel A. Espiricueta Ulloa**, Coahuila (MX)  
(73) Assignee: **LINCOLN GLOBAL, INC.**, Santa Fe Springs, CA (US)  
(\*\*) Term: **15 Years**  
(21) Appl. No.: **29/768,216**  
(22) Filed: **Jan. 28, 2021**  
(51) **LOC (13) Cl.** ..... **08-05**  
(52) **U.S. Cl.**  
USPC ..... **D8/30**  
(58) **Field of Classification Search**  
USPC ..... D8/30, 107; D15/144  
CPC ... B23K 9/10; B23K 9/24; B23K 9/28; B23K 9/29; B23K 9/32; B23K 9/123; B23K 9/173; B23K 9/287  
See application file for complete search history.

(56) **References Cited**  
U.S. PATENT DOCUMENTS  
6,979,799 B2 \* 12/2005 Centner ..... B23K 9/10 200/332.2  
D532,432 S \* 11/2006 Owens ..... D8/107  
D535,166 S \* 1/2007 Kensrue ..... D8/30  
D537,092 S \* 2/2007 Owens ..... D8/107  
D555,446 S \* 11/2007 Picaza Ibarrodo ..... D8/30  
D638,270 S \* 5/2011 Flattinger ..... D8/30  
D647,382 S \* 10/2011 Flattinger ..... D8/107  
D735,002 S \* 7/2015 Bondy ..... D8/30  
D752,403 S 3/2016 Kindig  
D849,808 S \* 5/2019 Assmann ..... D8/107  
D875,799 S \* 2/2020 Crowe ..... D8/30

D876,914 S \* 3/2020 Mitterhumer ..... D8/30  
D881,664 S 4/2020 Vazquez et al.  
D882,361 S 4/2020 Calandreli Cruz et al.  
D883,055 S 5/2020 Vazquez et al.  
D893,967 S 8/2020 Vazquez et al.  
D945,230 S \* 3/2022 Hartel ..... D8/30  
2004/0020909 A1 \* 2/2004 Bauer ..... B23K 9/295 219/137.31  
2006/0219683 A1 \* 10/2006 Kensrue ..... B23K 9/28 219/137.31  
2006/0226135 A1 \* 10/2006 Zamuner ..... B23K 9/28 219/137.31  
2007/0164006 A1 \* 7/2007 Burgstaller ..... B23K 9/0956 219/130.01  
2009/0152254 A1 \* 6/2009 Giese ..... B23K 9/287 219/137.31  
2010/0314374 A1 \* 12/2010 Ma ..... B23K 9/123 219/136

(Continued)

*Primary Examiner* — Philip S Hyder  
(74) *Attorney, Agent, or Firm* — Brad C. Spencer

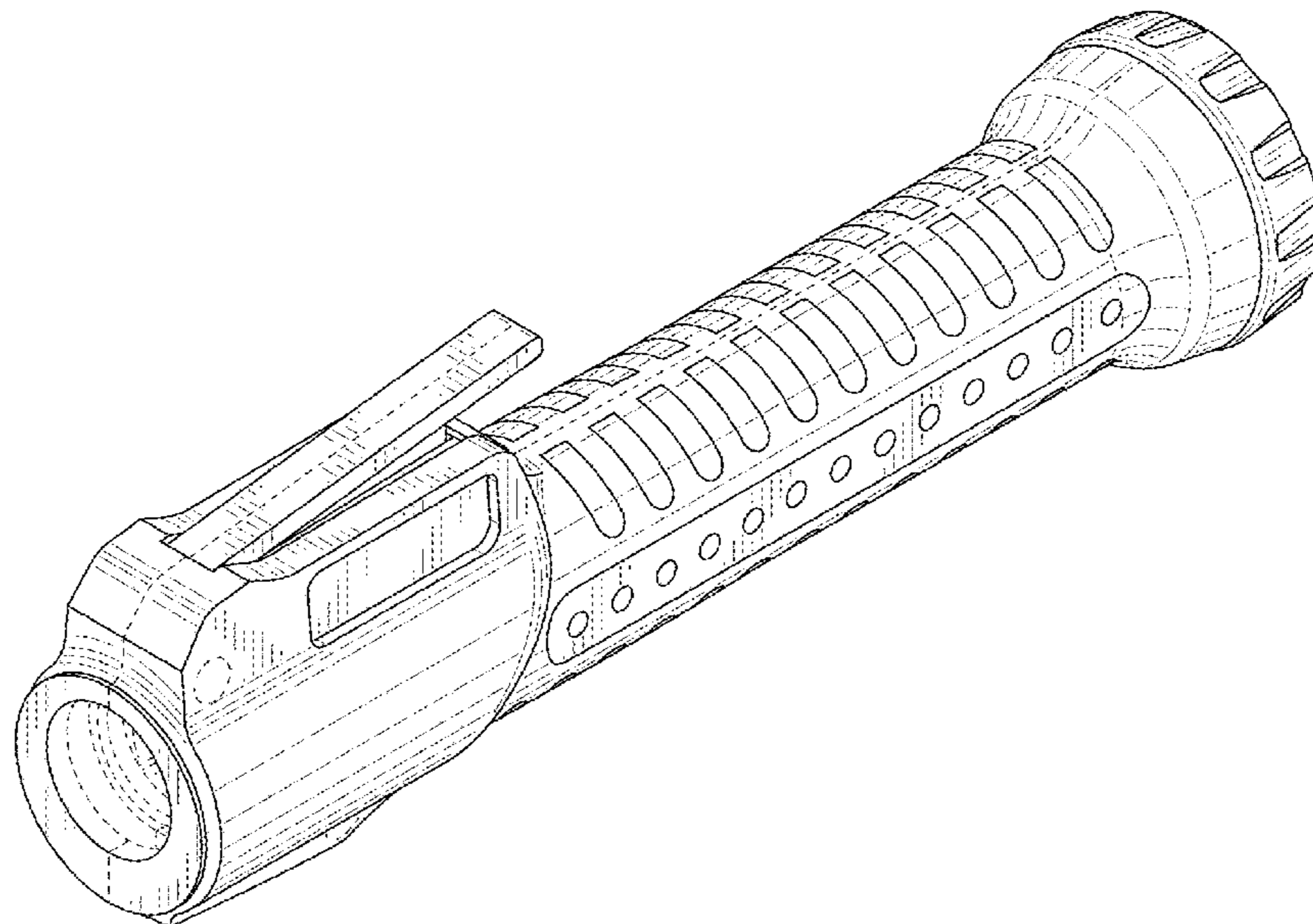
(57) **CLAIM**

The ornamental design for a welding torch handle, as shown and described.

**DESCRIPTION**

FIG. 1 is a front perspective view of the design for a welding torch handle;  
FIG. 2 is a right side view thereof;  
FIG. 3 is a front view thereof;  
FIG. 4 is a rear view thereof;  
FIG. 5 is a left side view thereof;  
FIG. 6 is a top plan view thereof;  
FIG. 7 is a bottom plan view thereof; and,  
FIG. 8 is a rear perspective view thereof.  
The broken lines depict portions of the welding torch handle in which the design is embodied that form no part of the claimed design.

**1 Claim, 7 Drawing Sheets**



(56)

**References Cited**

U.S. PATENT DOCUMENTS

2011/0062131 A1\* 3/2011 Binzel ..... B23K 9/1087  
219/136  
2015/0129572 A1\* 5/2015 Hassan ..... B23K 9/173  
219/137.62  
2015/0190888 A1\* 7/2015 Becker ..... B23K 37/006  
434/234  
2015/0194072 A1\* 7/2015 Becker ..... G09B 9/00  
434/234

\* cited by examiner

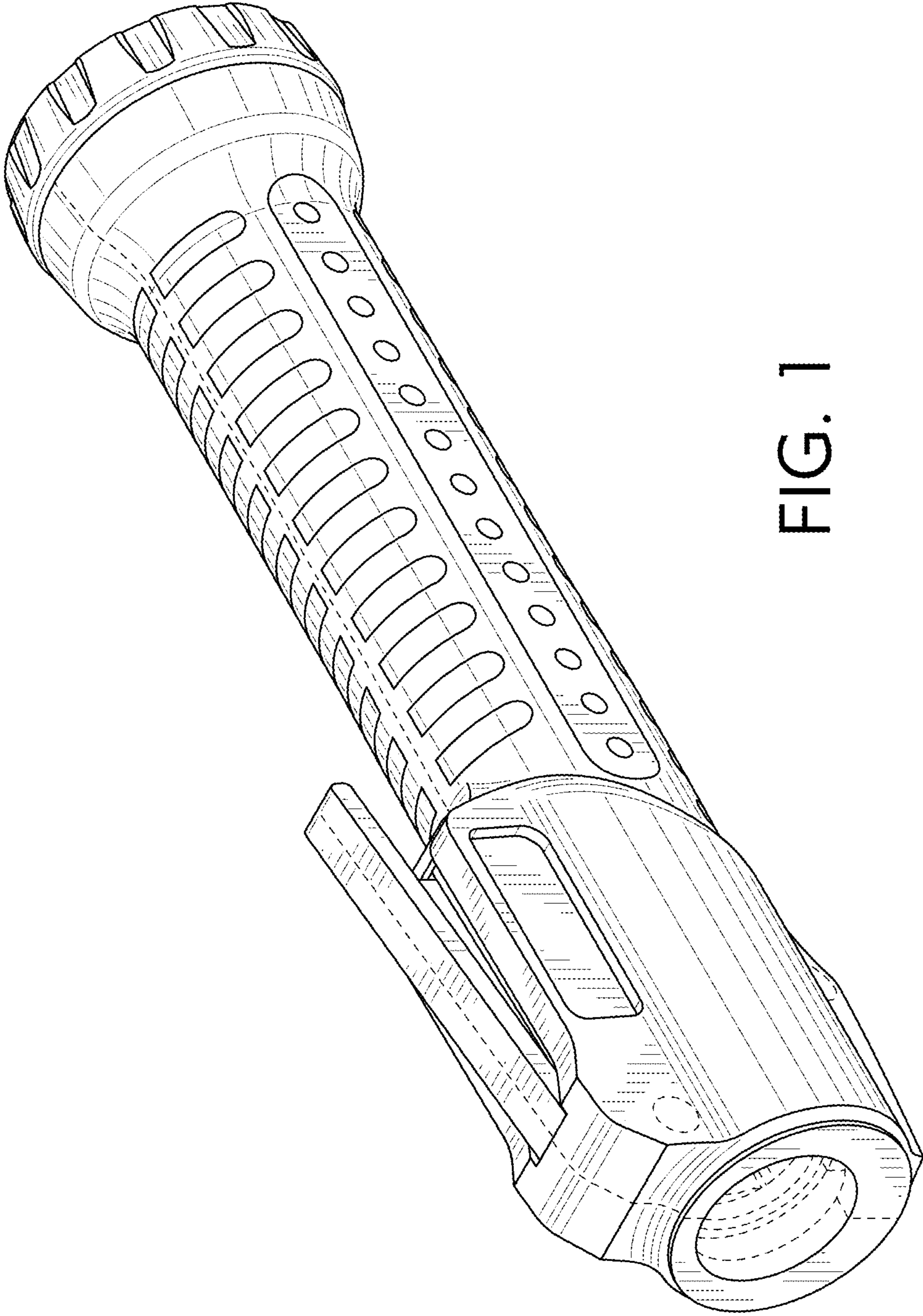


FIG. 1

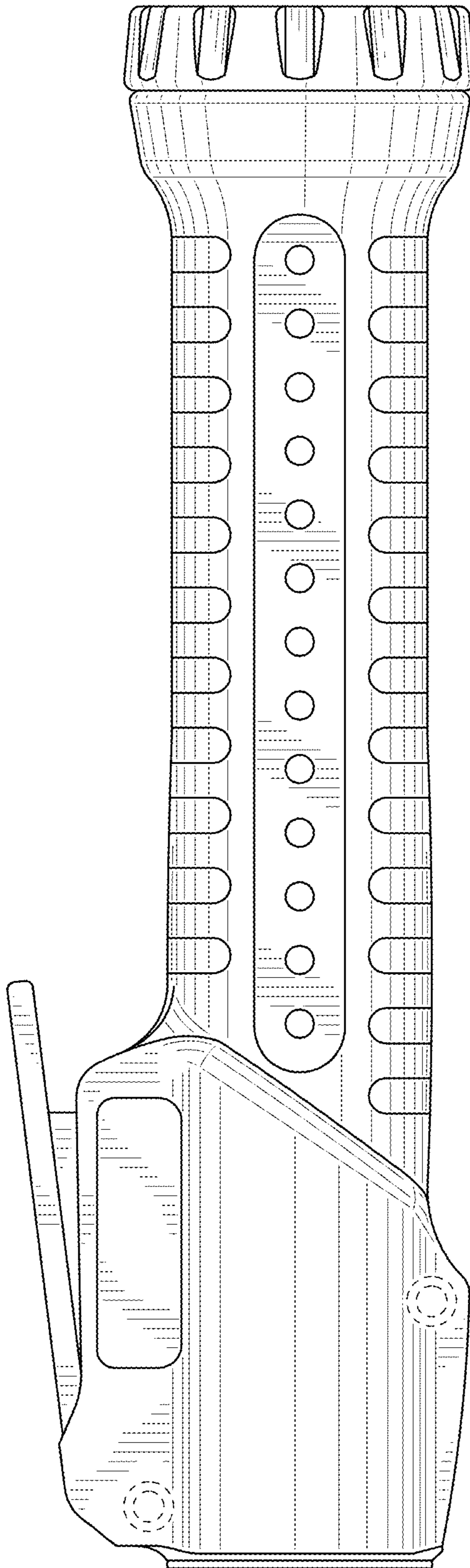


FIG. 2

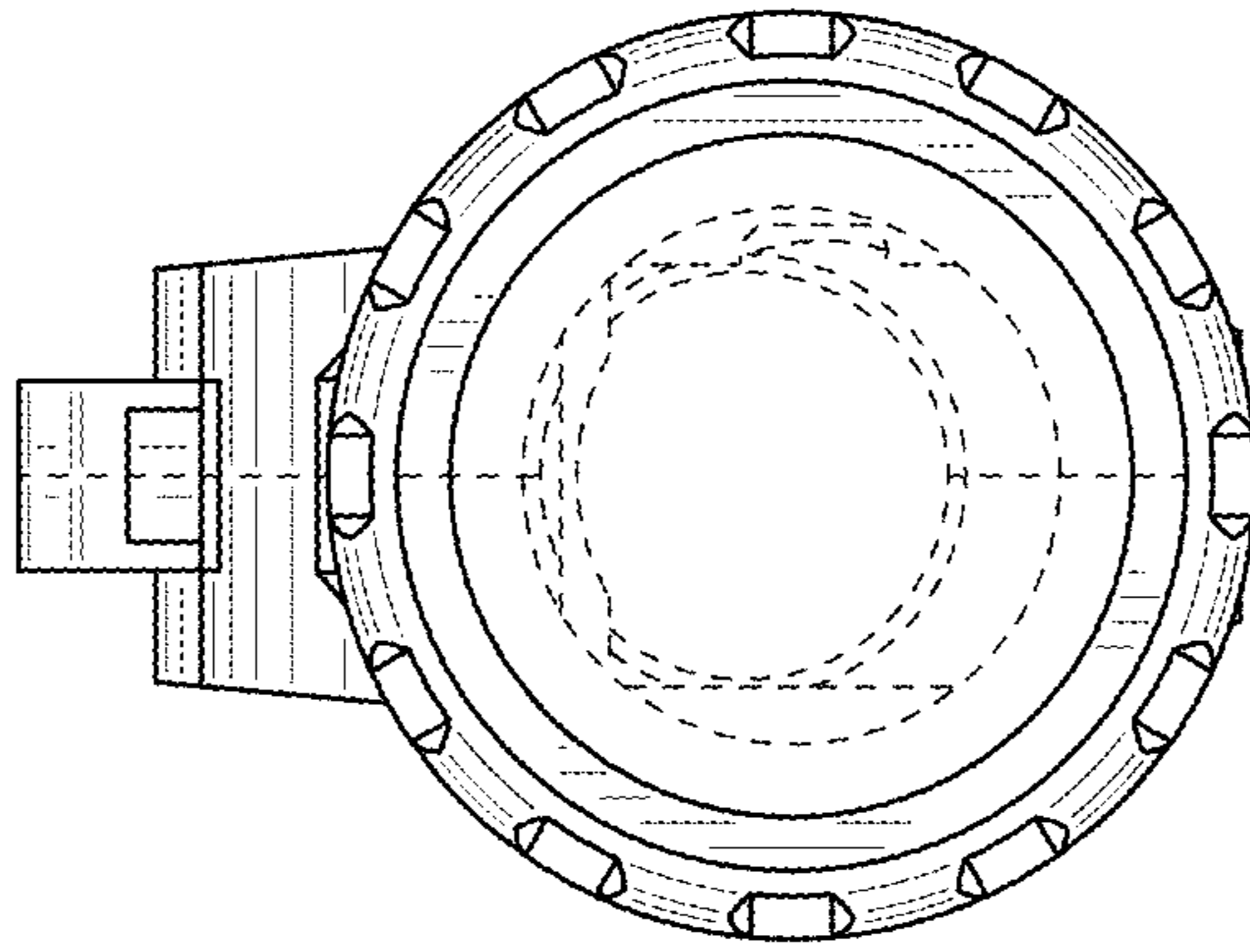


FIG. 4

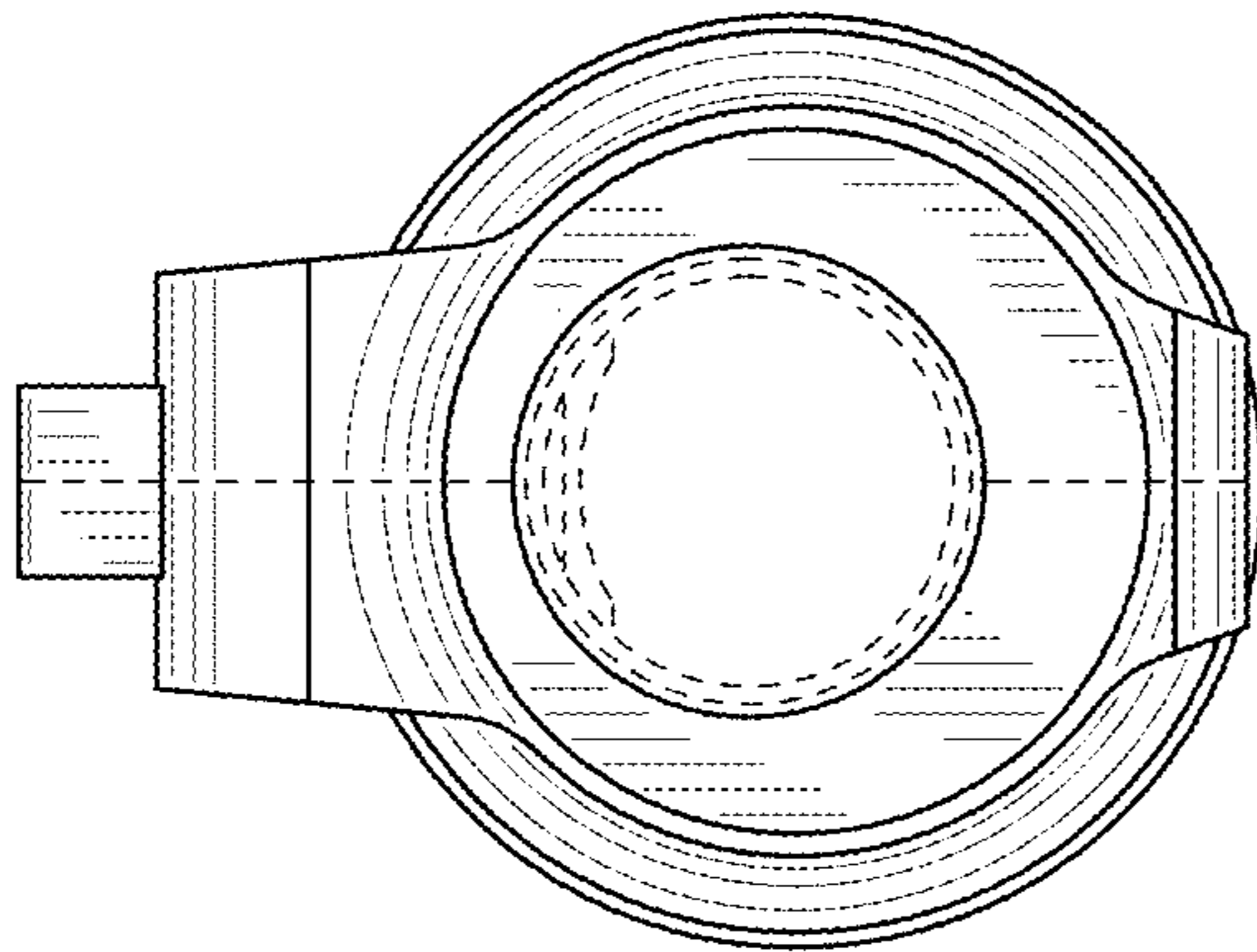


FIG. 3

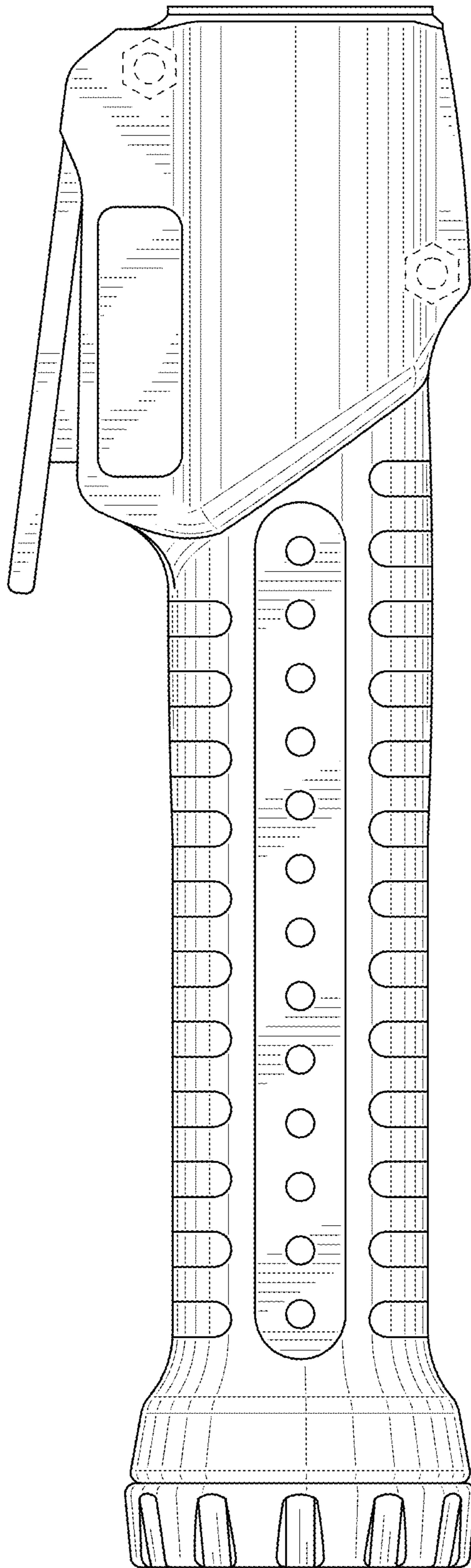


FIG. 5

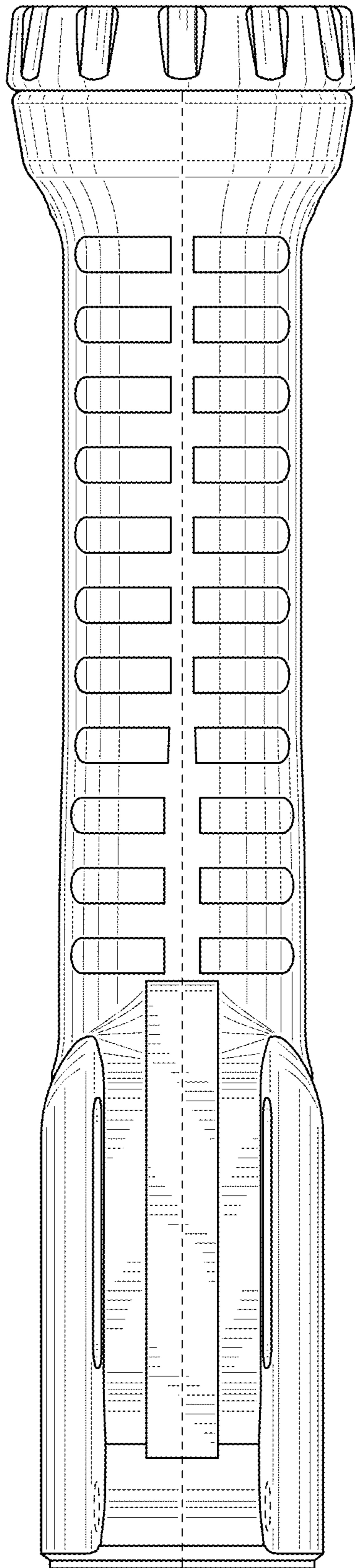


FIG. 6

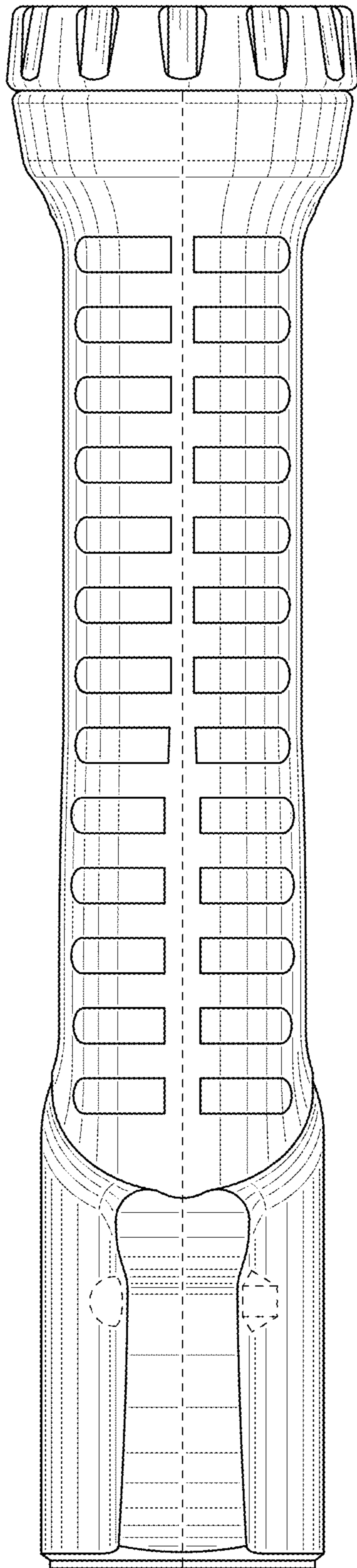


FIG. 7



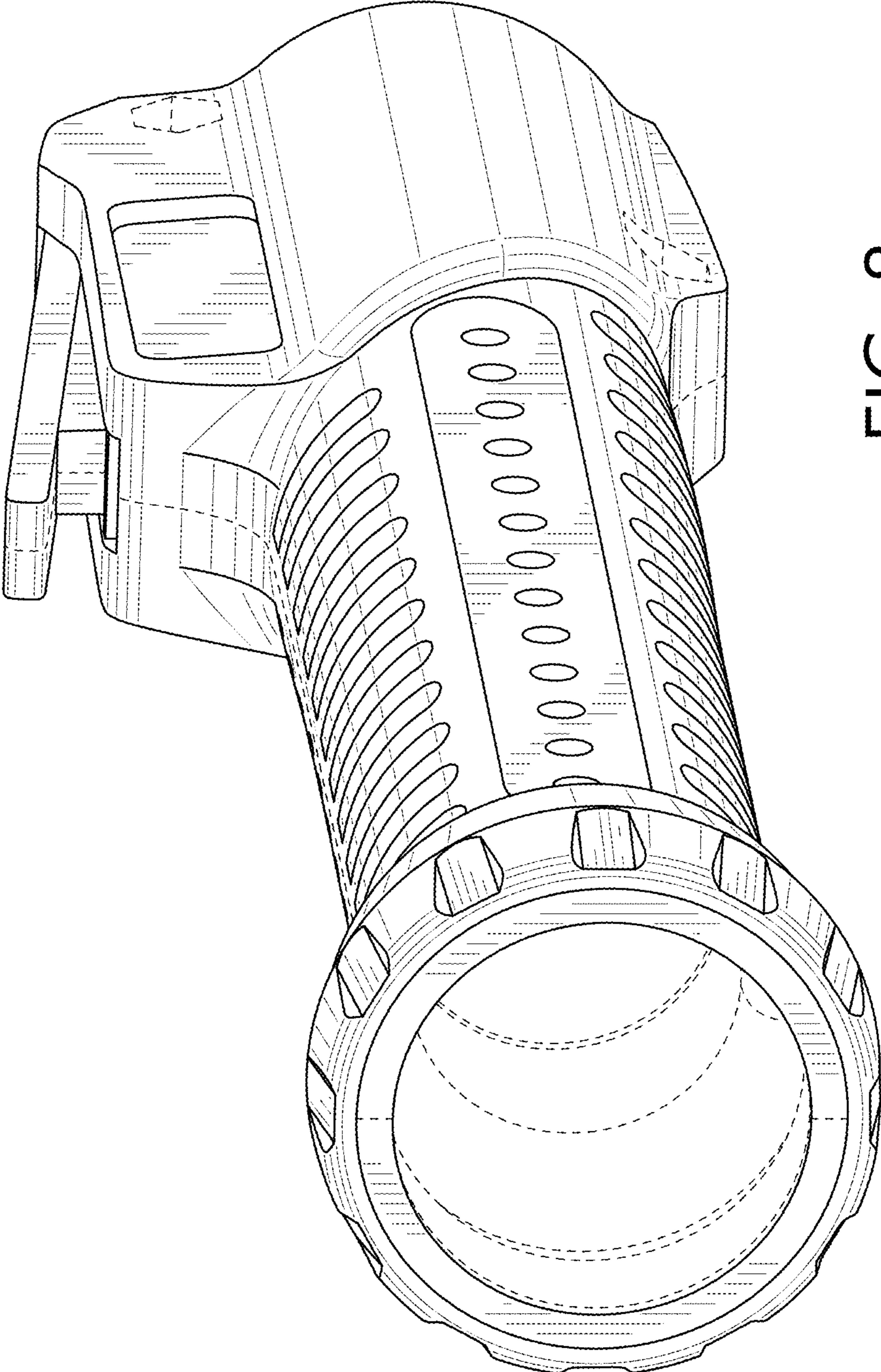


FIG. 8