

US00D962027S

(12) **United States Design Patent** (10) **Patent No.:** **US D962,027 S**
Beck et al. (45) **Date of Patent:** **** Aug. 30, 2022**

(54) **BLADE**
(71) Applicant: **MILWAUKEE ELECTRIC TOOL CORPORATION**, Brookfield, WI (US)
(72) Inventors: **John M. Beck**, Hubertus, WI (US); **David C. Zielke**, Cottage Grove, WI (US)
(73) Assignee: **MILWAUKEE ELECTRIC TOOL CORPORATION**, Brookfield, WI (US)
(**) Term: **15 Years**

6,684,481 B2 2/2004 Kullmer
6,723,101 B2 4/2004 Fletcher et al.
7,527,628 B2 5/2009 Fletcher et al.
7,901,424 B2 3/2011 Fletcher et al.
7,998,158 B2 8/2011 Fletcher et al.
8,216,262 B2* 7/2012 O'Donoghue A61B 17/142
606/86 R

(Continued)

FOREIGN PATENT DOCUMENTS

CN 301210976 S 5/2010
CN 301391066 S 11/2010

(Continued)

(21) Appl. No.: **29/732,359**
(22) Filed: **Apr. 23, 2020**
(51) **LOC (13) Cl.** **08-03**
(52) **U.S. Cl.**
USPC **D8/20**
(58) **Field of Classification Search**
USPC D8/20, 98-100; D15/139; D22/118
CPC .. B23D 61/121; B23D 61/123; B23D 61/126;
B23D 61/128; B26B 3/06; B26B 5/00;
B26B 5/001; B26B 1/02; B26B 1/04;
B26B 1/08
See application file for complete search history.

OTHER PUBLICATIONS

Top 3 Oscillating Blades for Wood Cutting with your Multi Tool, online on rykerhardware.com, Dec. 19, 2019.*

Primary Examiner — Elizabeth A. Albert
(74) *Attorney, Agent, or Firm* — Michael Best & Friedrich LLP

(57) **CLAIM**

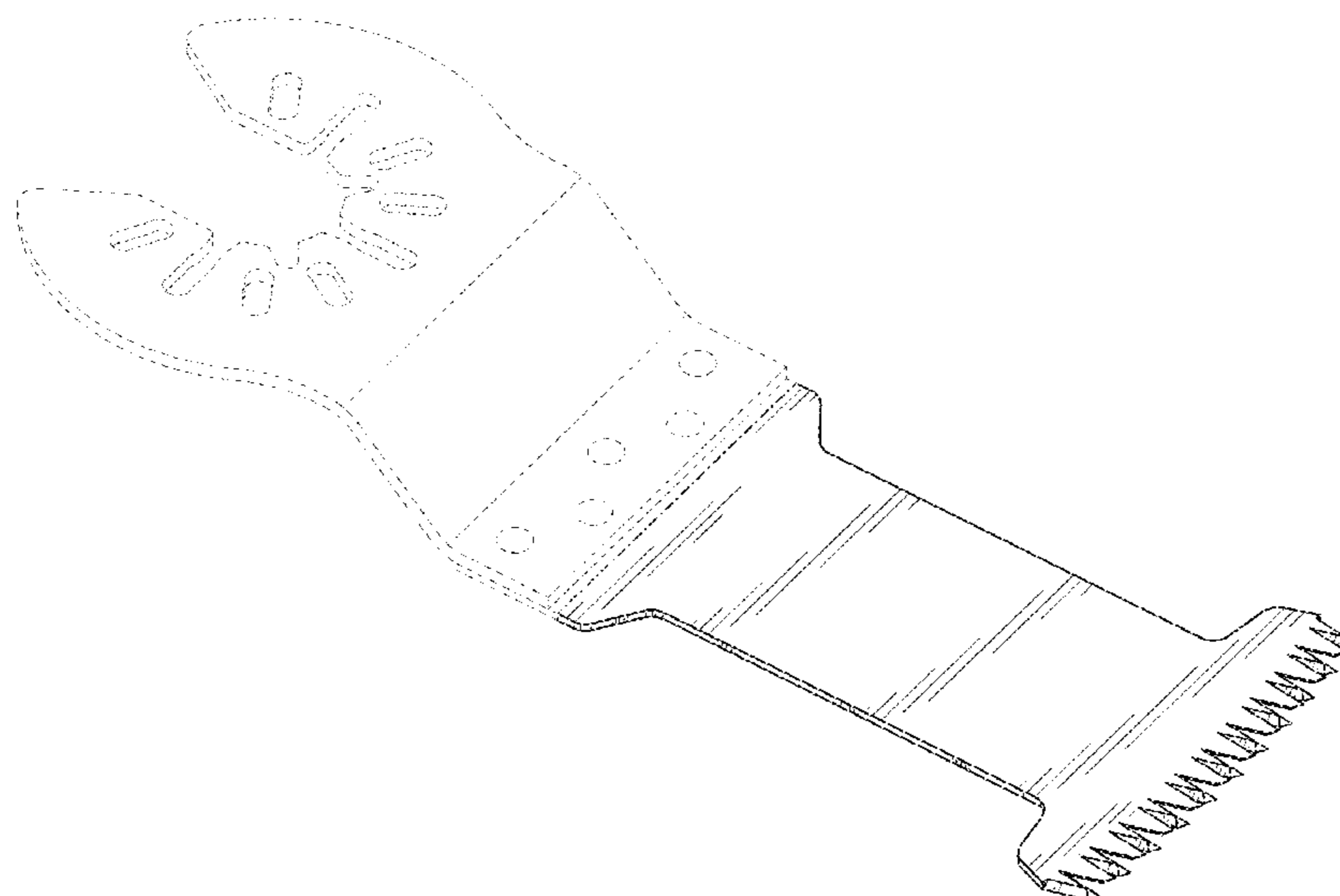
We claim the ornamental design for a blade, as shown and described.

DESCRIPTION

FIG. 1 is a perspective view of a blade.
FIG. 2 is a top view of the blade shown in FIG. 1.
FIG. 3 is a bottom view of the blade shown in FIG. 1.
FIG. 4 is a left side view of the blade shown in FIG. 1.
FIG. 5 is a right side view of the blade shown in FIG. 1.
FIG. 6 is a front view of the blade shown in FIG. 1; and,
FIG. 7 is a rear view of the blade shown in FIG. 1.
The dash-dash broken lines represent portions of the blade that form no part of the claimed design. The dash-dot broken lines represent a boundary of the claimed design and form no part of the claimed design.

1 Claim, 3 Drawing Sheets

(56) **References Cited**
U.S. PATENT DOCUMENTS
3,852,881 A 12/1974 Treace
4,461,296 A 7/1984 Hodge
4,513,742 A 4/1985 Arnegger
4,575,936 A * 3/1986 Gringer B26B 5/00
30/169
4,589,458 A 5/1986 McCord, Jr.
4,617,930 A 10/1986 Saunders
5,087,261 A 2/1992 Ryd et al.
5,306,285 A 4/1994 Miller et al.
5,382,249 A 1/1995 Fletcher
6,022,353 A 2/2000 Fletcher et al.
6,503,253 B1 1/2003 Fletcher et al.
D482,258 S * 11/2003 Taylor D8/95



(56)

References Cited

U.S. PATENT DOCUMENTS

D681,082 S 4/2013 Neal, Jr. et al.
 D694,076 S * 11/2013 Davidian D8/20
 D694,077 S * 11/2013 Bozic D8/20
 D694,596 S * 12/2013 Davidian D8/20
 D694,597 S * 12/2013 Davidian D8/20
 D694,598 S * 12/2013 Davidian D8/20
 D694,599 S * 12/2013 Davidian D8/20
 8,616,562 B2 * 12/2013 Maras B25F 3/00
 279/143
 8,757,285 B2 * 6/2014 Weber B24B 27/08
 173/217
 8,875,611 B2 11/2014 Mann
 D727,380 S * 4/2015 Zhang D15/139
 9,120,216 B2 * 9/2015 Zhang B24B 45/00
 9,242,361 B2 * 1/2016 Kaye, Jr. B23B 31/10
 9,527,146 B2 12/2016 Stoddart et al.
 D817,127 S * 5/2018 Gopi D8/20
 10,016,904 B2 * 7/2018 Jones B26B 29/06
 D832,666 S * 11/2018 Kaye, Jr. D8/20
 10,245,716 B2 * 4/2019 Kaye, Jr. B24B 23/04
 D853,816 S 7/2019 Schaz et al.
 D853,817 S * 7/2019 Ji D8/20
 D856,766 S * 8/2019 Kaye, Jr. D8/382
 D862,185 S * 10/2019 Dai D8/20
 10,427,229 B2 * 10/2019 Karlen B23D 61/006
 10,427,230 B2 * 10/2019 Bernardi B23D 61/123
 10,702,283 B2 * 7/2020 Sidebotham A61B 17/1637
 10,843,282 B2 * 11/2020 Churchill B23D 61/006
 D904,144 S * 12/2020 Butscher D8/20
 D904,145 S * 12/2020 Butscher D8/20
 D924,030 S * 7/2021 Kaye, Jr. D8/20
 D931,069 S * 9/2021 Dahill D8/20
 2002/0104421 A1 8/2002 Wurst
 2003/0014067 A1 1/2003 Kullmer et al.
 2005/0178261 A1 * 8/2005 Thomaschewski ... B27B 19/006
 83/666
 2009/0320299 A1 * 12/2009 Kuhn B08B 1/00
 30/169
 2010/0288099 A1 11/2010 Steiger
 2011/0219929 A1 * 9/2011 Mann B23B 27/16
 83/846

2011/0316242 A1 * 12/2011 Zhang B27B 5/30
 279/143
 2013/0331013 A1 12/2013 Neal, Jr. et al.
 2014/0190328 A1 7/2014 Karlen
 2014/0325855 A1 11/2014 Bozic
 2017/0291238 A1 10/2017 Bernardi et al.
 2018/0154470 A1 6/2018 Karlen
 2019/0240752 A1 8/2019 Churchill

FOREIGN PATENT DOCUMENTS

CN 301423943 S 12/2010
 CN 301481473 S 3/2011
 CN 301622403 S 7/2011
 CN 301713161 S 11/2011
 CN 102303168 A 1/2012
 CN 301952337 S 6/2012
 CN 302313070 S 2/2013
 CN 302714085 S 1/2014
 CN 302714086 S 1/2014
 CN 304486632 S 2/2018
 DE 3833735 A1 4/1989
 DE 4425456 A1 3/1996
 DE 202004007929 U1 7/2004
 DE 102008001234 A1 10/2009
 DE 102009050195 A1 4/2011
 DE 202011108736 U1 4/2012
 DE 102010063103 A1 6/2012
 DE 102011103880 A1 11/2012
 DE 202012011311 A1 12/2012
 DE 102013203613 A1 9/2014
 DE 102013011638 A1 1/2015
 DE 102013112888 A1 5/2015
 DE 402015100781-0003 9/2015
 DE 102017007351 A1 6/2018
 EM 002418616-0004 3/2014
 WO DM040797 7/1997
 WO 2013029857 A1 3/2013
 WO 2013091965 A1 6/2013
 WO 2013091982 A1 6/2013
 WO 2014195173 A1 12/2014
 WO 2016132320 A1 8/2016
 WO DM097305 5/2017

* cited by examiner

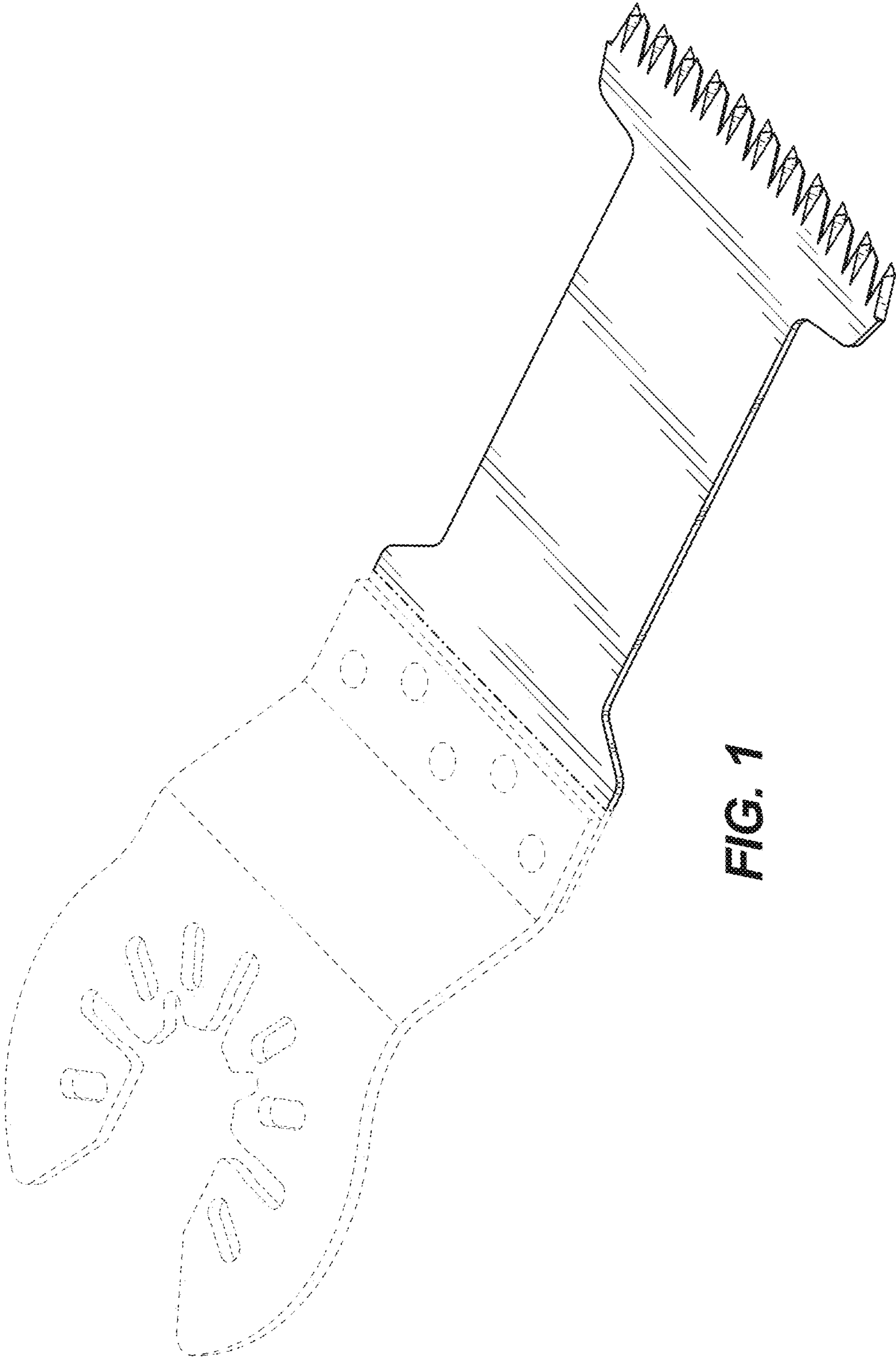


FIG. 1

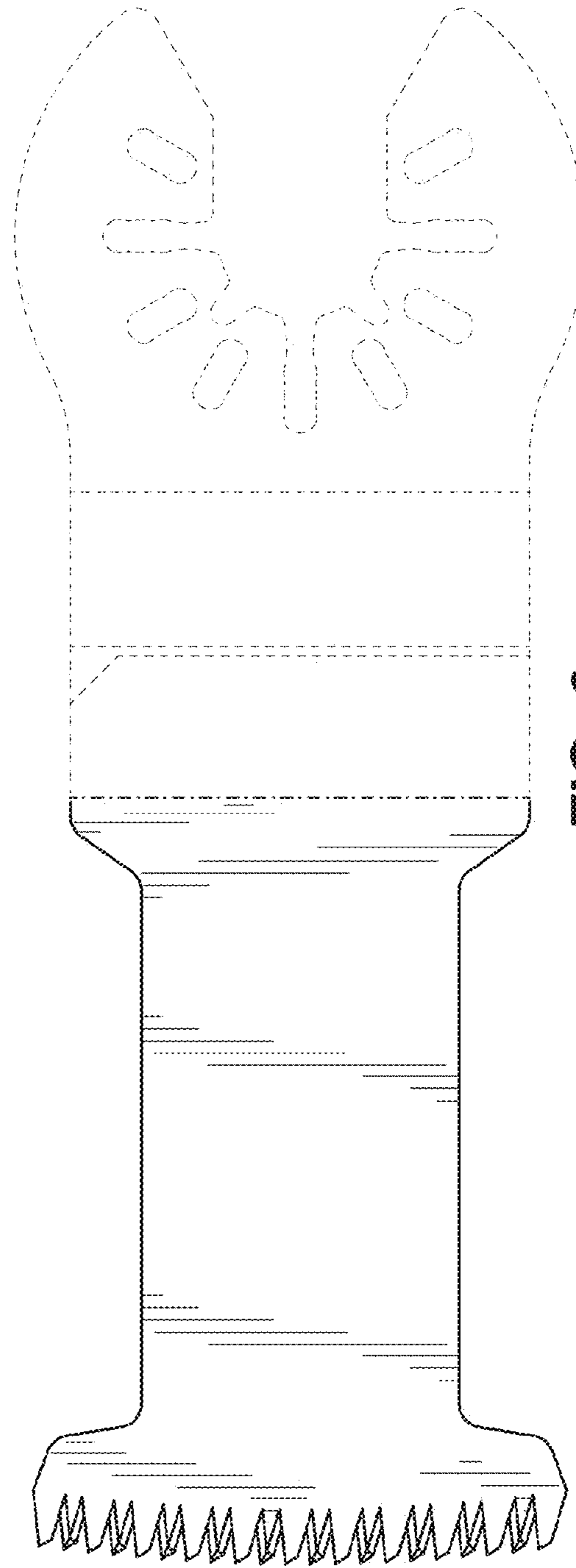
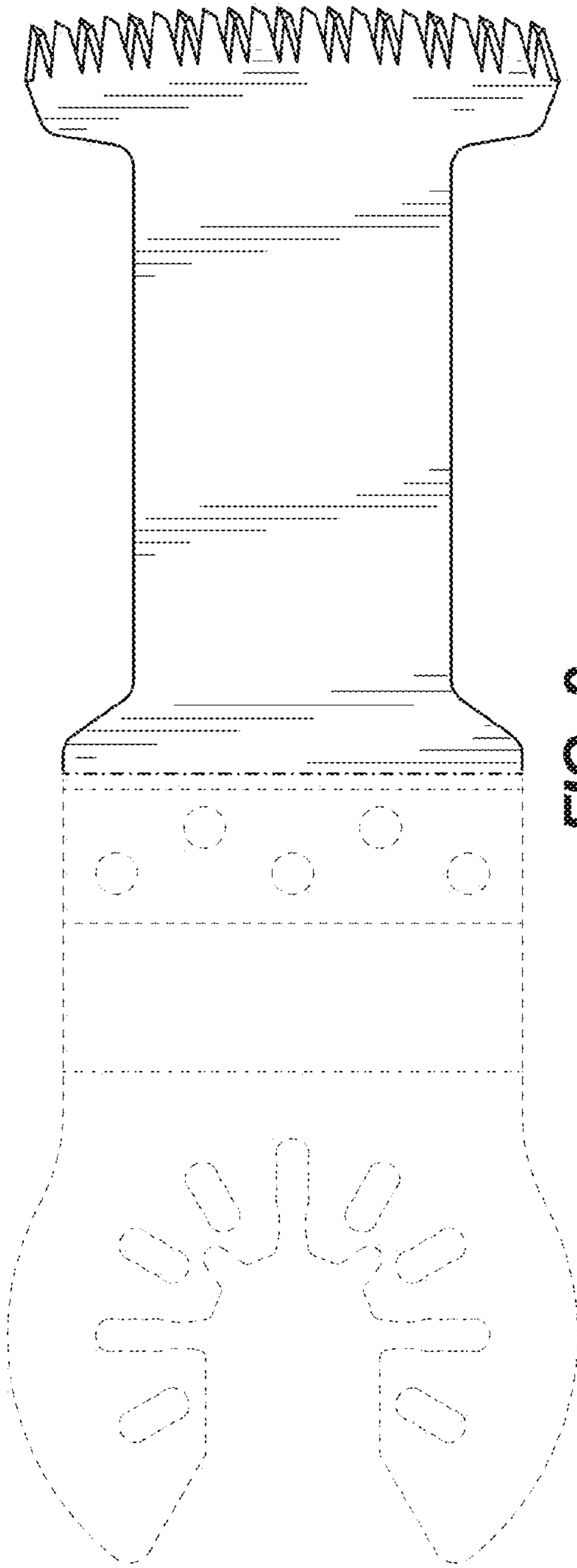




FIG. 4

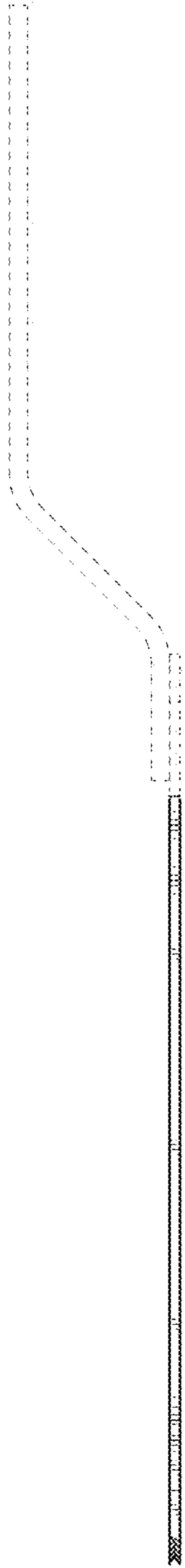


FIG. 5



FIG. 6

FIG. 7