

US00D962026S

(12) **United States Design Patent**  
**Yang et al.**

(10) **Patent No.:** **US D962,026 S**  
(45) **Date of Patent:** **\*\* Aug. 30, 2022**

(54) **CAULK GUN**

(71) Applicant: **Zhejiang Prulde Electric Appliance Co., Ltd., Zhejiang (CN)**

(72) Inventors: **Weiming Yang, Zhejiang (CN); Ting Han, Zhejiang (CN)**

(73) Assignee: **Zhejiang Prulde Electric Appliance Co., Ltd., Zhejiang (CN)**

(\*\*) Term: **15 Years**

(21) Appl. No.: **29/766,378**

(22) Filed: **Jan. 15, 2021**

(30) **Foreign Application Priority Data**

Jul. 15, 2020 (CN) ..... 202030383178.5

(51) **LOC (13) Cl.** ..... **08-05**

(52) **U.S. Cl.**  
USPC ..... **D8/14.1**

(58) **Field of Classification Search**  
USPC ..... D8/14, 14.1, 51, 68  
CPC ..... B05C 17/01; B05C 17/0123; B05C 17/00596; B05C 17/0016; B05C 21/00  
See application file for complete search history.

(56) **References Cited**

**U.S. PATENT DOCUMENTS**

- D328,555 S \* 8/1992 Keller ..... D8/14.1
- 7,063,240 B1 \* 6/2006 Niswonger ..... B05C 17/0103  
222/391
- D545,152 S \* 6/2007 Lopano ..... D8/14.1
- D548,551 S \* 8/2007 Lopano ..... D8/14.1

- D573,425 S \* 7/2008 Post ..... D8/14.1
- D635,835 S \* 4/2011 Post ..... D8/14.1
- D636,091 S \* 4/2011 Brummitt ..... D8/14.1
- D751,875 S \* 3/2016 Eckstein ..... D8/14.1
- D762,431 S \* 8/2016 Lee ..... B05C 17/00576  
D8/14.1
- D872,547 S \* 1/2020 Skafdrup ..... D8/14.1
- D883,052 S \* 5/2020 Almajid ..... D8/14.1
- D932,854 S \* 10/2021 Groentved ..... D8/14.1
- D934,042 S \* 10/2021 Paunovic ..... D8/14.1
- 2012/0318826 A1 \* 12/2012 Naughton ..... B05C 17/01  
222/327
- 2020/0316639 A1 \* 10/2020 Ren ..... B05C 17/0103
- 2021/0094062 A1 \* 4/2021 Yang ..... B05C 17/0116

\* cited by examiner

*Primary Examiner* — Philip S Hyder  
(74) *Attorney, Agent, or Firm* — JCIP Global Inc.

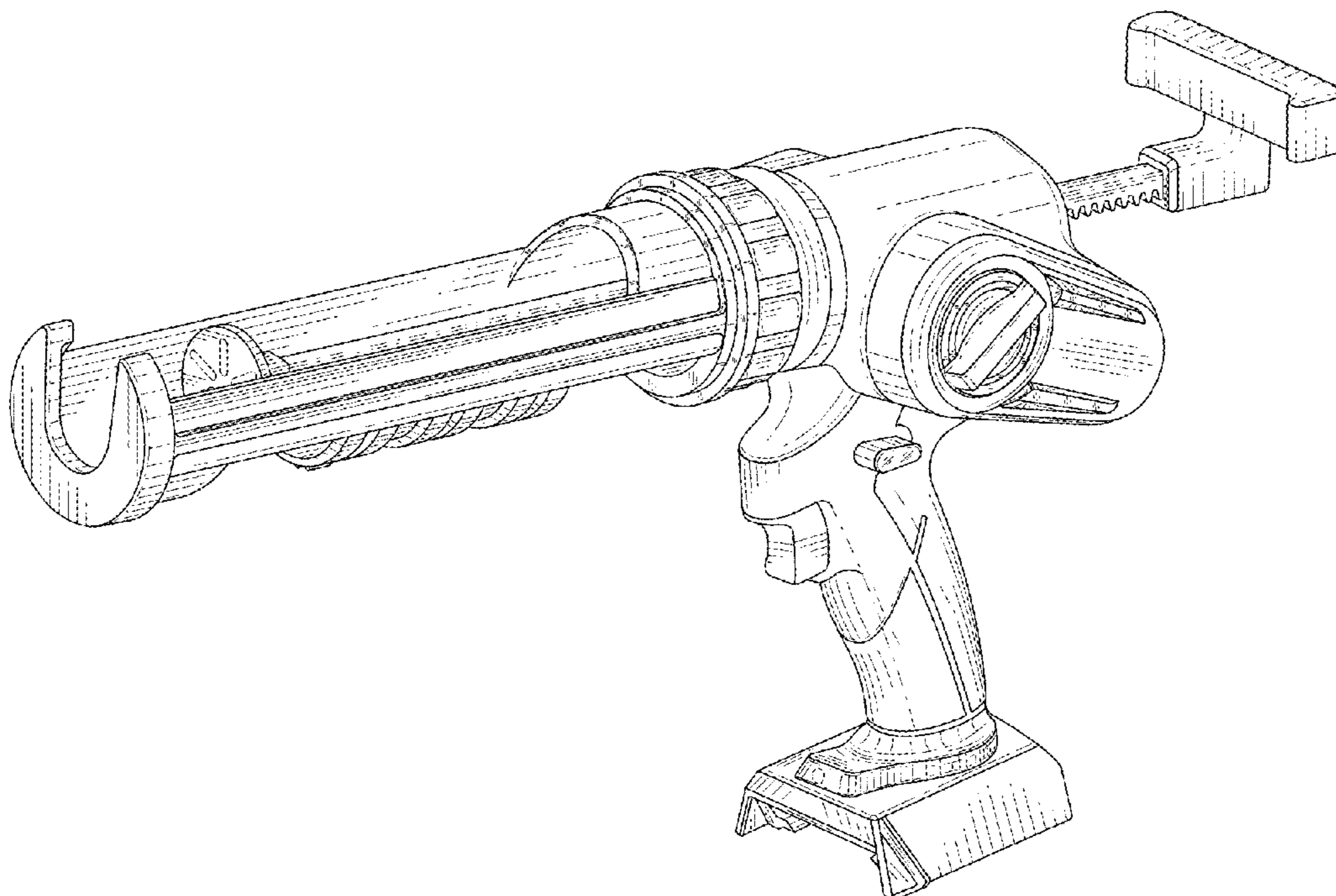
(57) **CLAIM**

The ornamental design for a caulk gun, as shown and described.

**DESCRIPTION**

FIG. 1 is a perspective view of a caulk gun showing our new design;  
FIG. 2 is a front view thereof;  
FIG. 3 is a rear view thereof;  
FIG. 4 is a left side view thereof;  
FIG. 5 is a right side view thereof;  
FIG. 6 is a top view thereof; and,  
FIG. 7 is a bottom view thereof.  
The broken line portions of the caulk gun in FIGS. 1 and 3-7 represent unclaimed portions of the claimed design and form no part thereof.

**1 Claim, 7 Drawing Sheets**



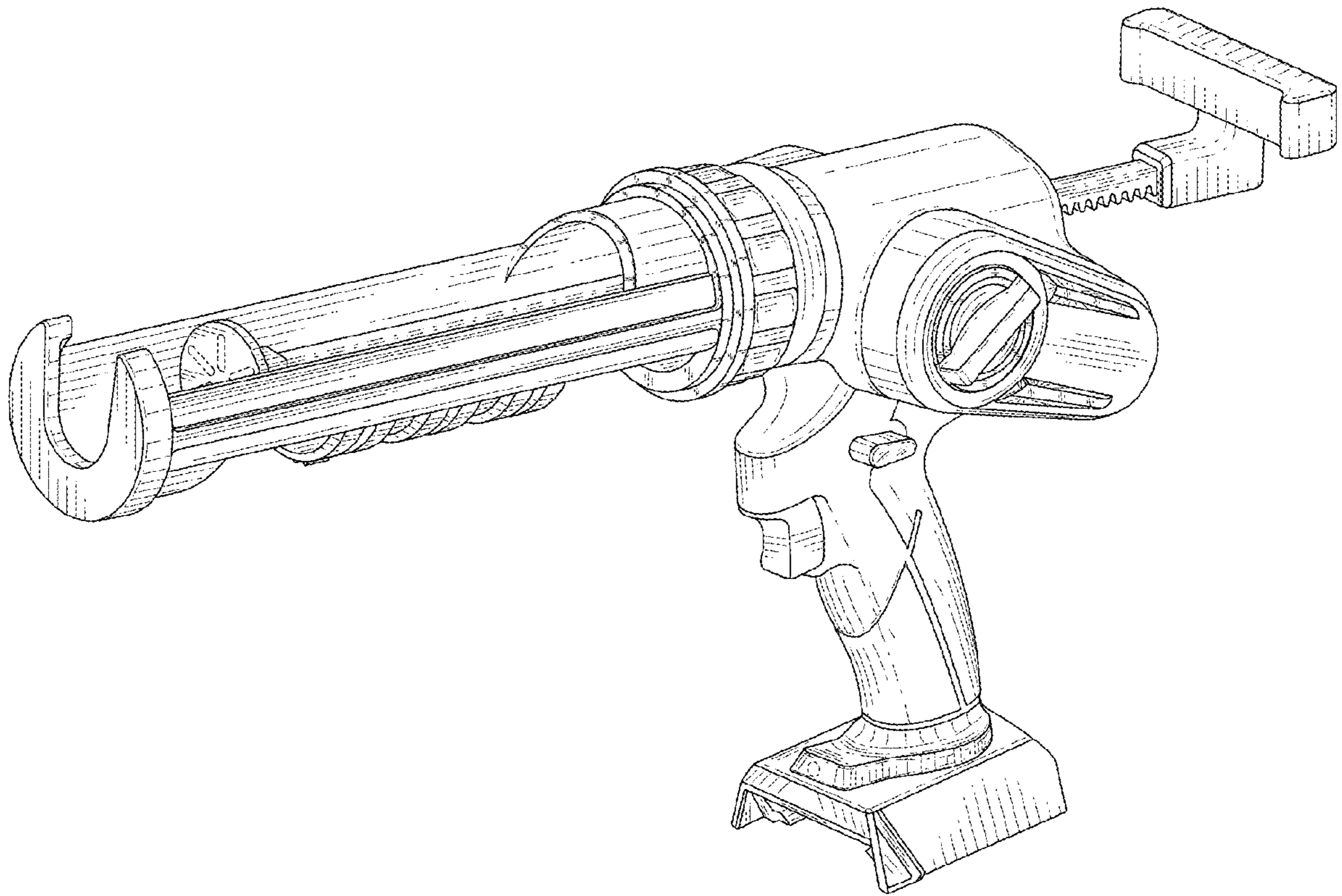


FIG.1

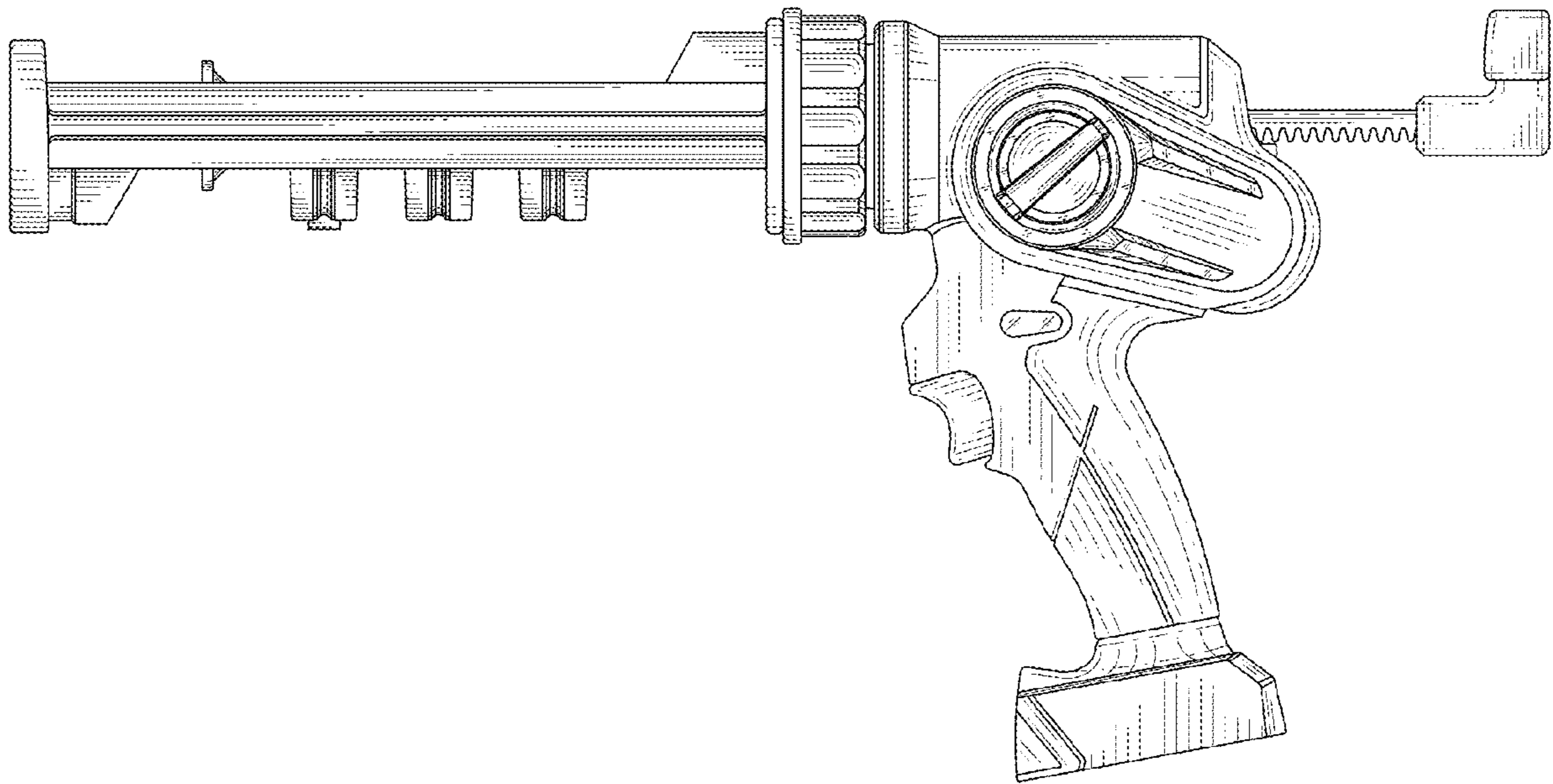


FIG.2

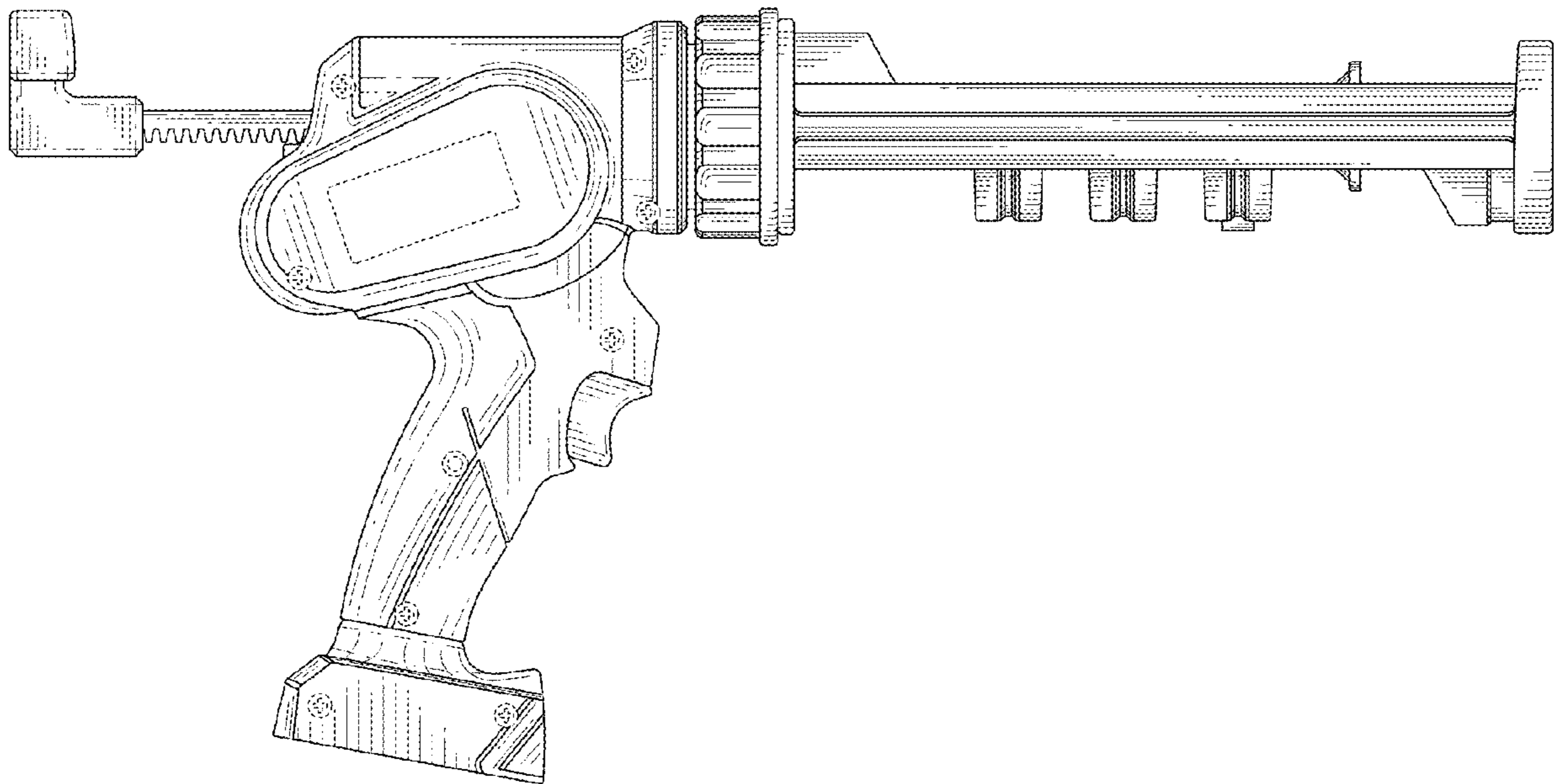


FIG.3

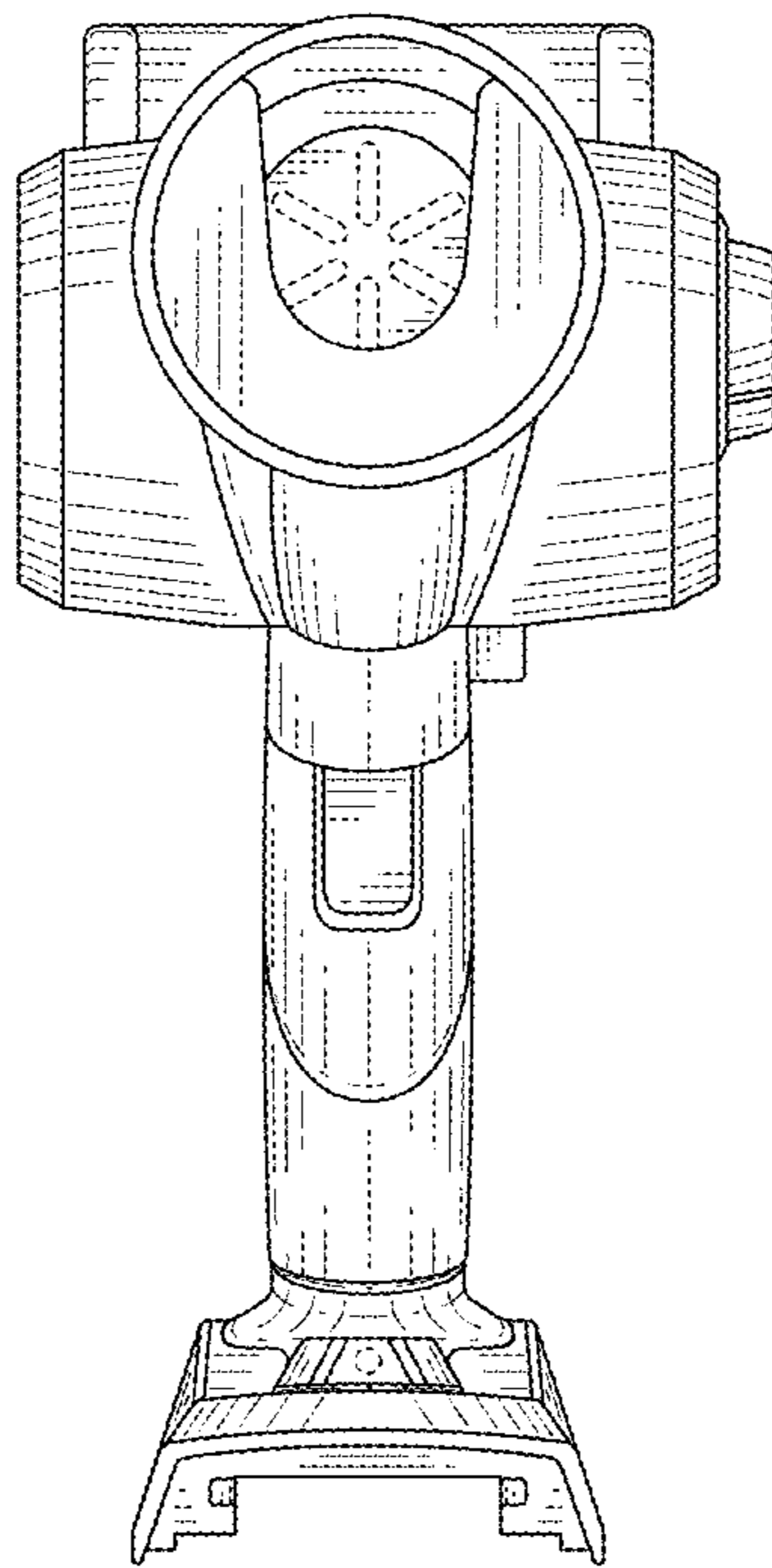


FIG.4

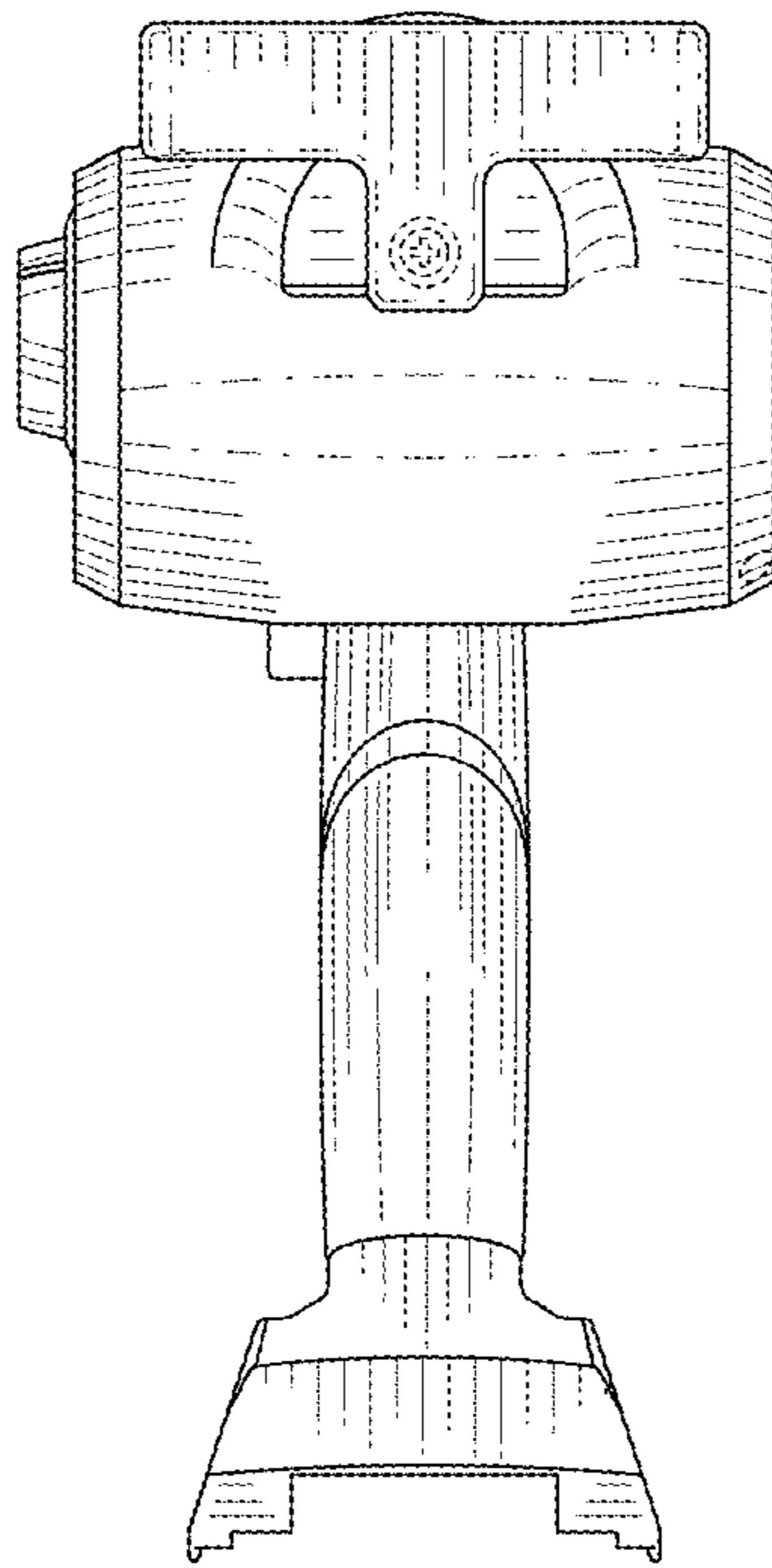


FIG.5

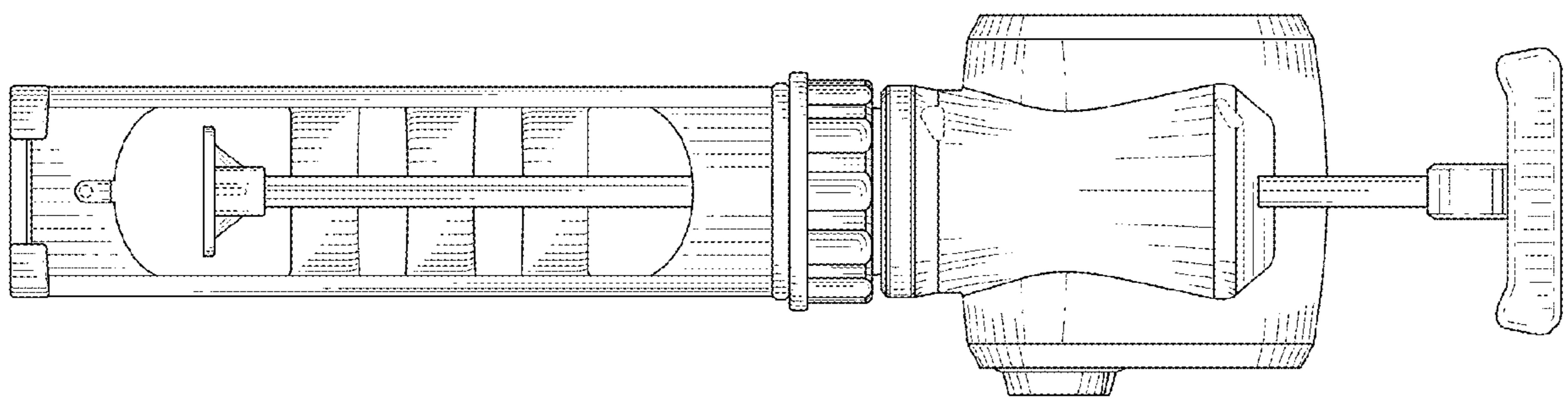


FIG.6

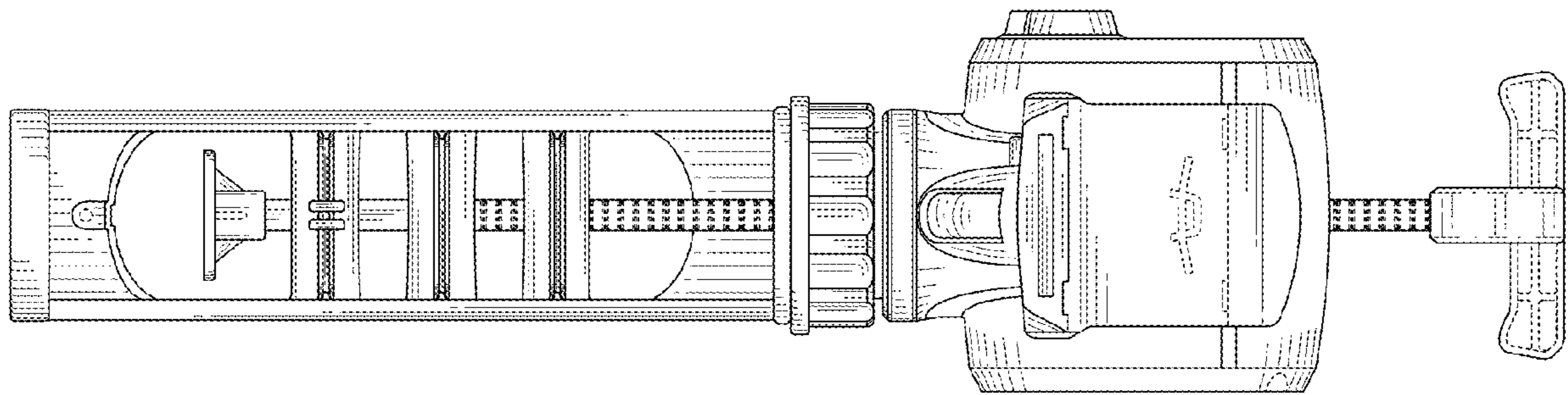


FIG. 7