



US00D962020S

(12) **United States Design Patent**
Zhang

(10) **Patent No.:** **US D962,020 S**

(45) **Date of Patent:** **** Aug. 30, 2022**

- (54) **LUNCH BOX**
- (71) Applicant: **Taoyue Zhang**, Guangzhou (CN)
- (72) Inventor: **Taoyue Zhang**, Guangzhou (CN)
- (**) Term: **15 Years**
- (21) Appl. No.: **29/840,600**
- (22) Filed: **May 31, 2022**
- (51) **LOC (13) Cl.** **07-01**
- (52) **U.S. Cl.**
USPC **D7/703; D7/629**
- (58) **Field of Classification Search**
USPC D7/605–607, 709, 710; D3/201,
D3/203.1–203.8, 202–206
CPC F25D 3/08; F25D 3/02; F25D 3/04; F25D
3/06; F25D 3/14; F25D 3/107; F25D
2331/801; F25D 2331/804; B65D 81/38;
B65D 81/3813; B65D 81/3816; B65D
81/3818; B65D 81/382; B65D 81/3823;
B65D 81/3825; B65D 81/3827; B65D
81/383; B65D 81/3832; B65D 81/3834;
B65D 81/3848; B65D 81/3851; B65D
81/3853; B65D 81/3855; B65D 81/3858;
B65D 81/386; B65D 81/3862; B65D
81/3874; B65D 81/3216; B65D 25/00;
B65D 25/06; B65D 25/04; B65D 1/22;
B65D 1/24; A45C 11/20; A45C 3/00;
A45C 3/08; A45C 3/06; A45C 3/10;
A45C 2003/008; A45C 2003/007; A45C
1/00; A45C 13/008; A45C 13/02; A45C
13/1046; A45C 5/00; A45C 5/02; A45F
3/00

See application file for complete search history.

(56) **References Cited**

U.S. PATENT DOCUMENTS

- 6,144,016 A * 11/2000 Garvin F24C 7/10
220/523
- D472,774 S * 4/2003 Pelstring D7/629

- 7,090,089 B2 * 8/2006 Lown B65D 43/0218
220/780
- D566,484 S * 4/2008 George D7/629
- D903,443 S * 12/2020 Gispert D7/703
- D944,608 S 3/2022 Lu
- 2011/0114526 A1* 5/2011 Neumann A45C 11/20
206/459.5
- 2011/0240653 A1* 10/2011 Castner B65D 45/02
220/526

(Continued)

OTHER PUBLICATIONS

Amazon.com, Bentgo Fresh 3 Pack Meal Prep Lunch Box Set, Reusable 3 Compartment Containers for Meal Prepping. ASIN: B07LC1FBB1, 13 pages, date first available Dec. 13, 2018 (Year: 2018).*

(Continued)

Primary Examiner — Terry A Wallace

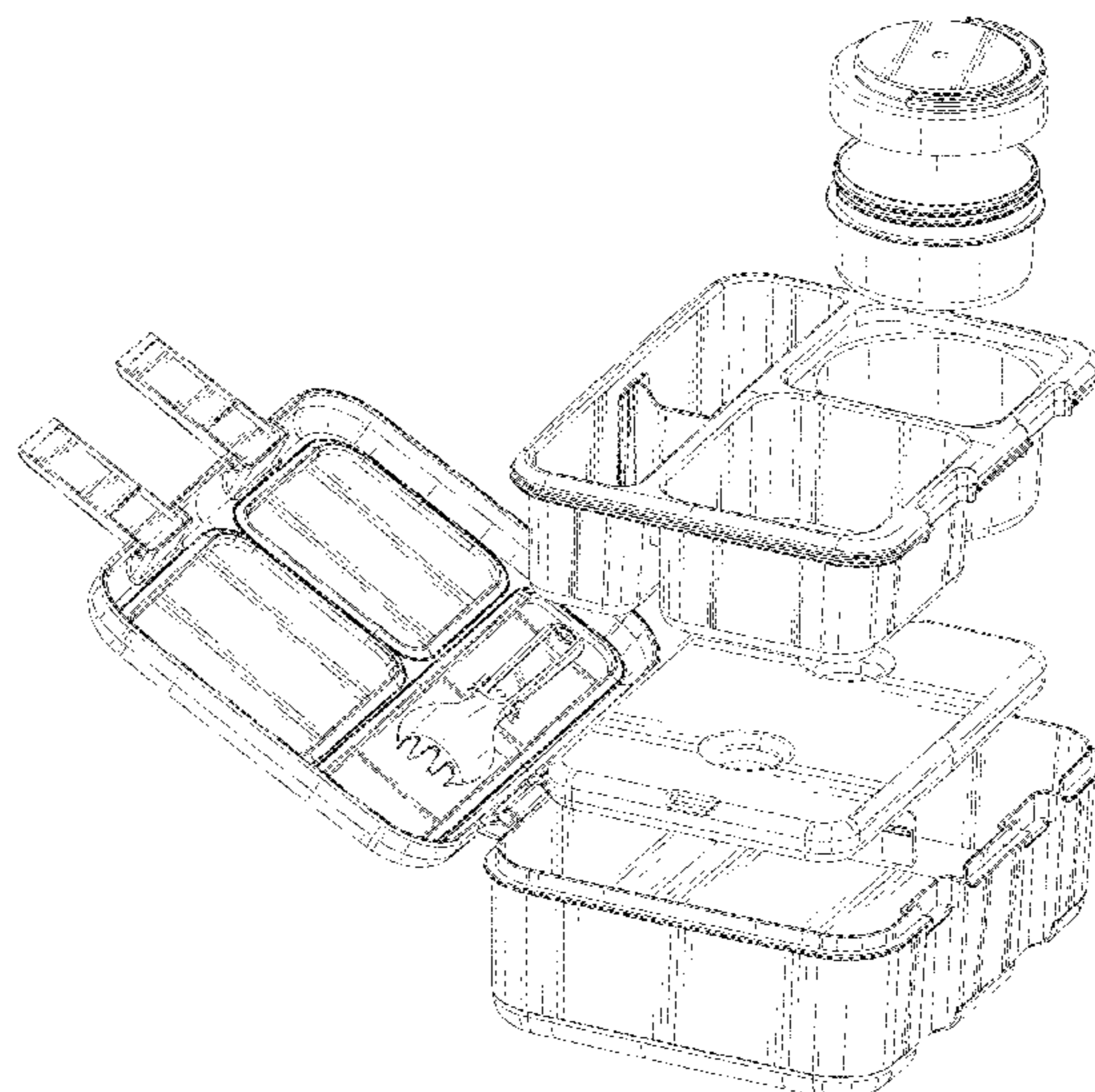
(57) **CLAIM**

The ornamental design for a lunch box, as shown and described.

DESCRIPTION

FIG. 1 is an exploded perspective view of a lunch box showing my new design.
 FIG. 2 is a perspective view thereof shown in an open position.
 FIG. 3 is a front perspective view thereof in a closed position.
 FIG. 4 is a front view of FIG. 3.
 FIG. 5 is a rear view of FIG. 3.
 FIG. 6 is a left side view of FIG. 3.
 FIG. 7 is a right side view of FIG. 3.
 FIG. 8 is a top plan view of FIG. 3; and,
 FIG. 9 is a bottom plan view of FIG. 3.
 The broken lines in the drawings illustrate the portions of the lunch box, which form no part of the claimed design.

1 Claim, 9 Drawing Sheets



(56)

References Cited

U.S. PATENT DOCUMENTS

2014/0103033 A1* 4/2014 Beckman B65D 1/34
220/4.01
2019/0375551 A1* 12/2019 Bell B65D 21/0222
2021/0037940 A1* 2/2021 Kim A45C 13/02

OTHER PUBLICATIONS

Amazon.com, Genteen Store, Kids Bento Box with Ice Packs,
Genteen Kids Lunch Box with Leak Proof Food Cup, ASIN:
B0B48BZHL7, 11 pages, date first available Jun. 16, 2022. (Year:
2022).*

* cited by examiner

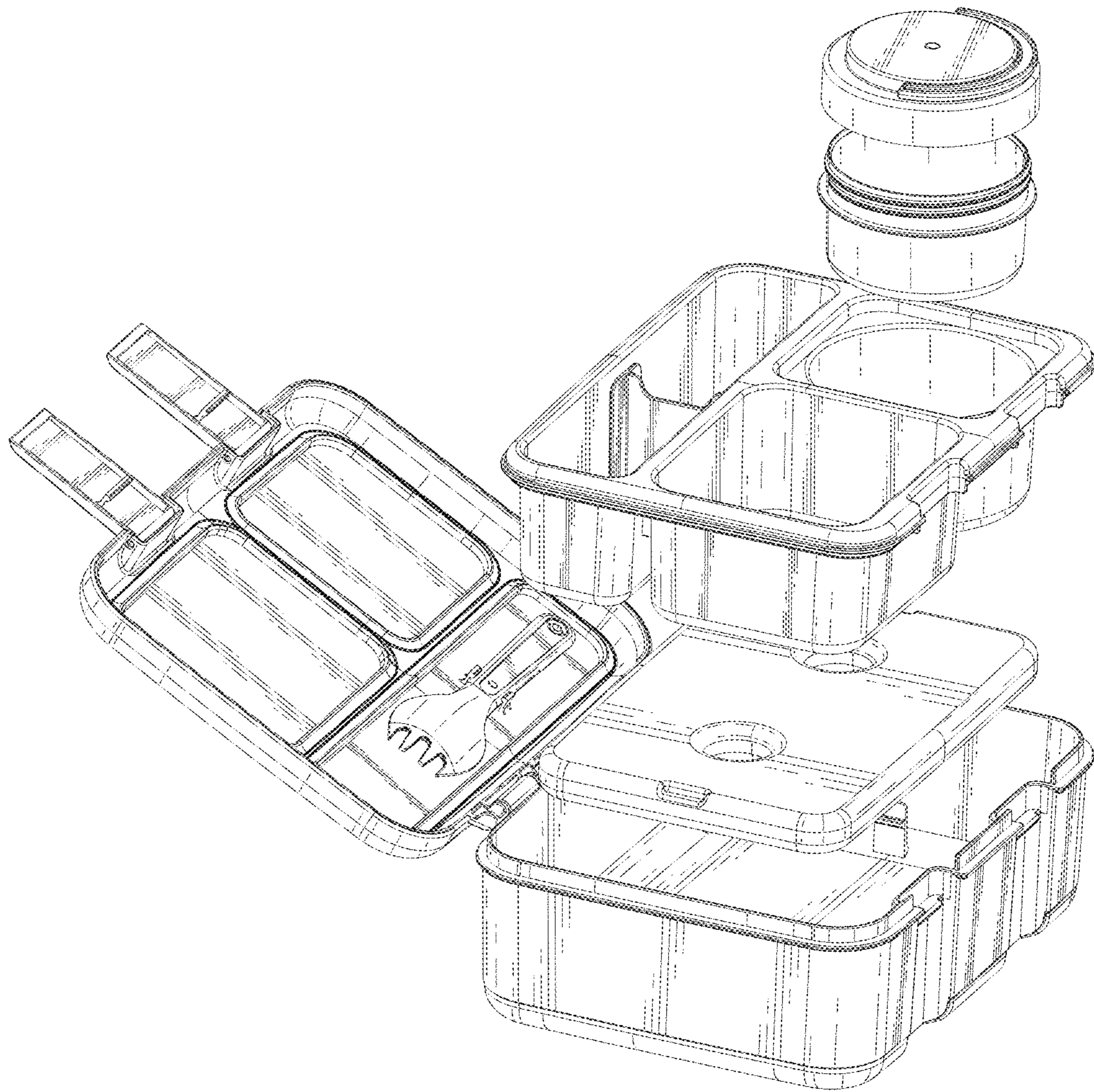


FIG. 1

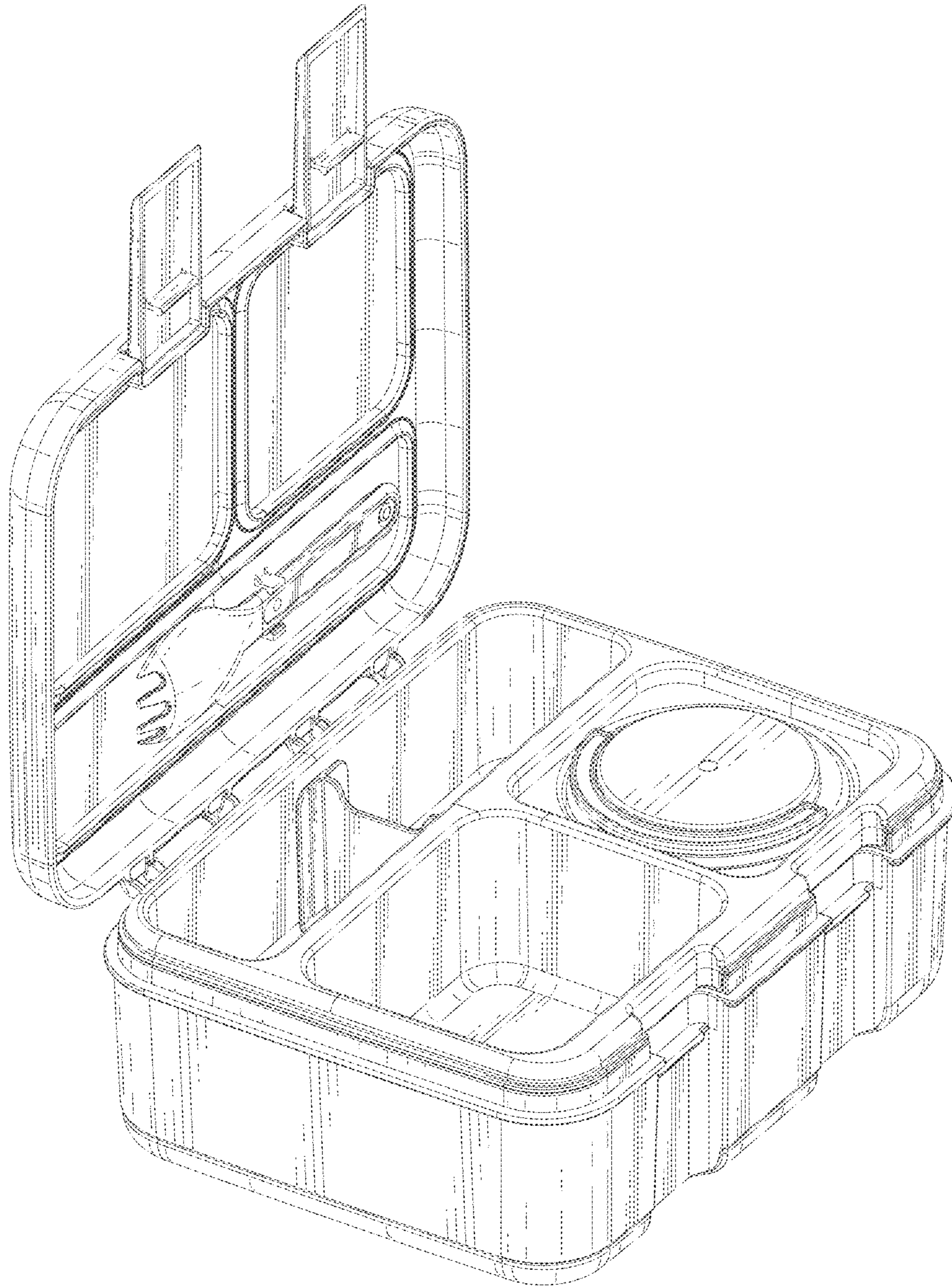


FIG. 2



FIG. 3

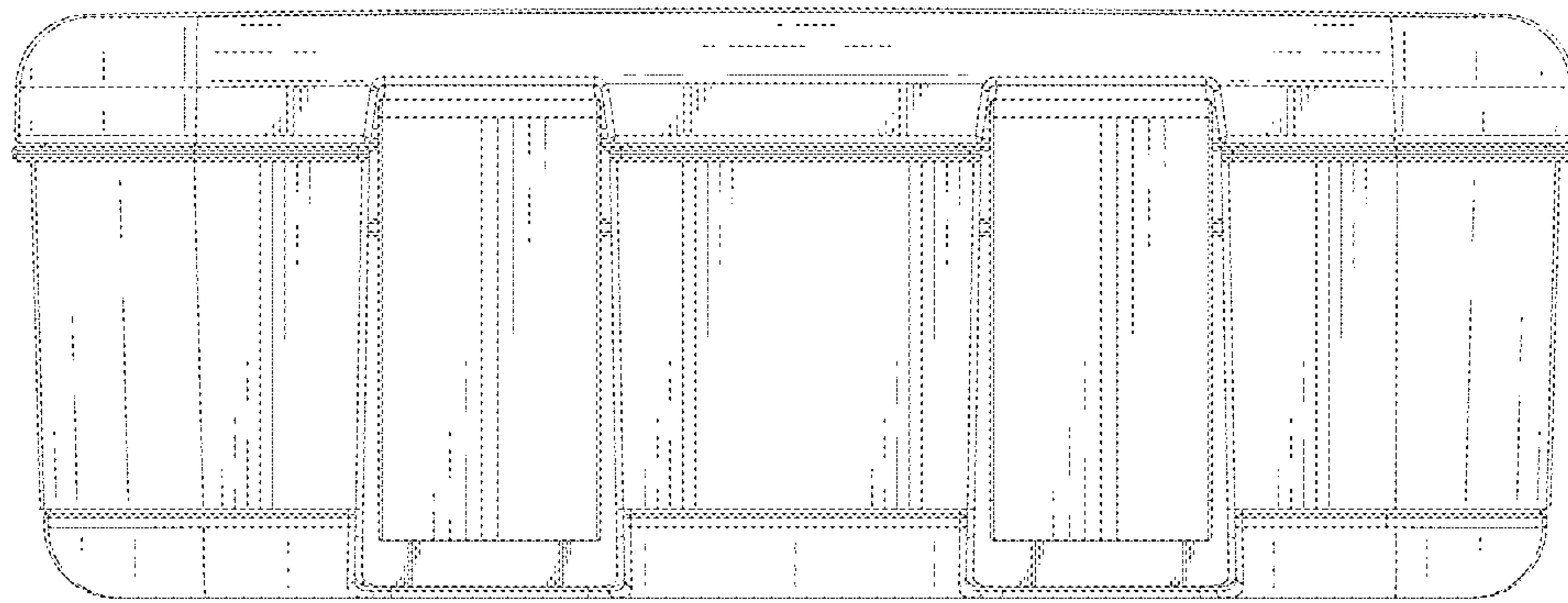


FIG. 4

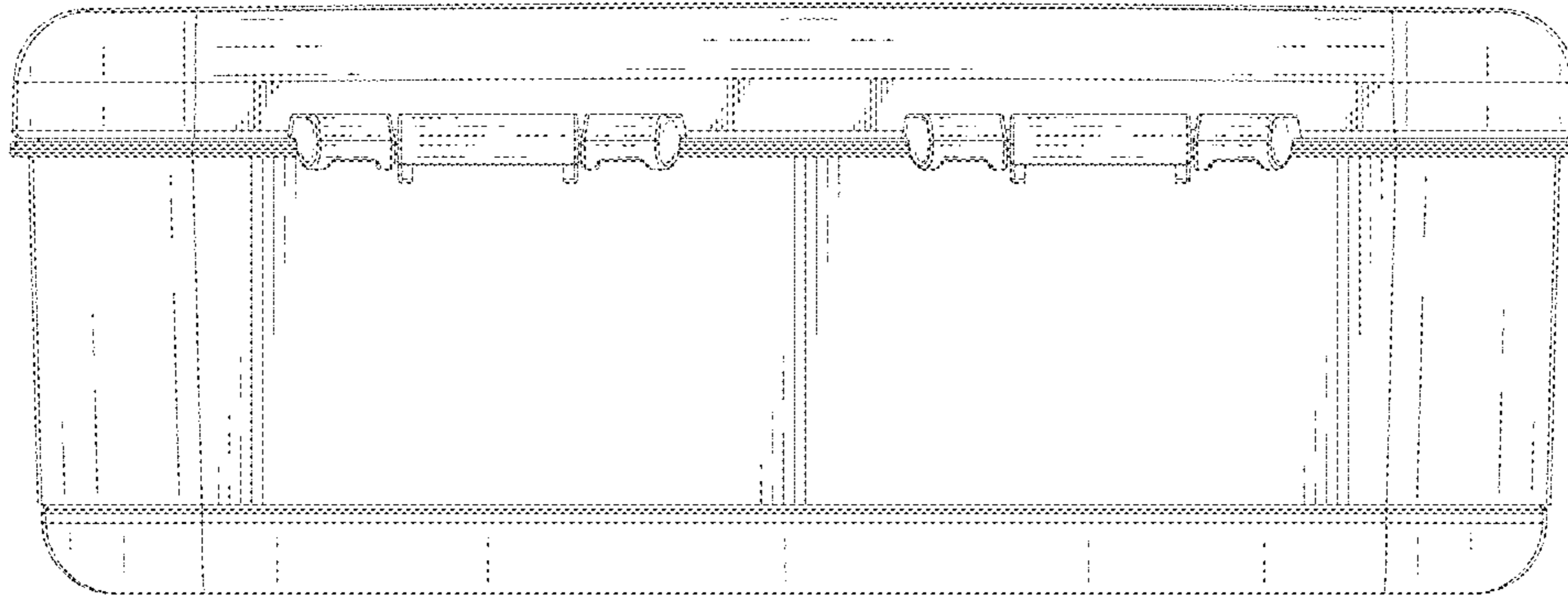


FIG. 5

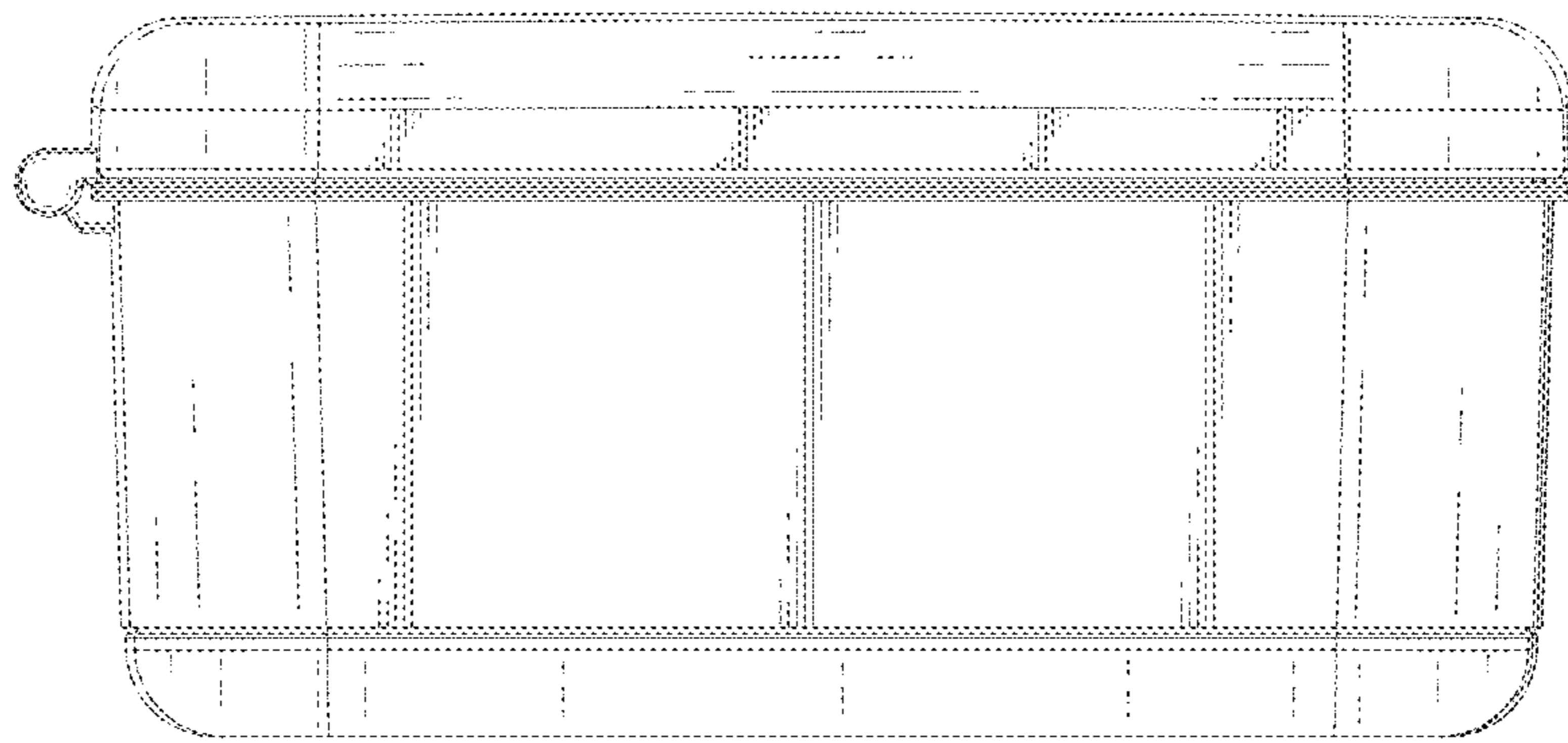


FIG. 6

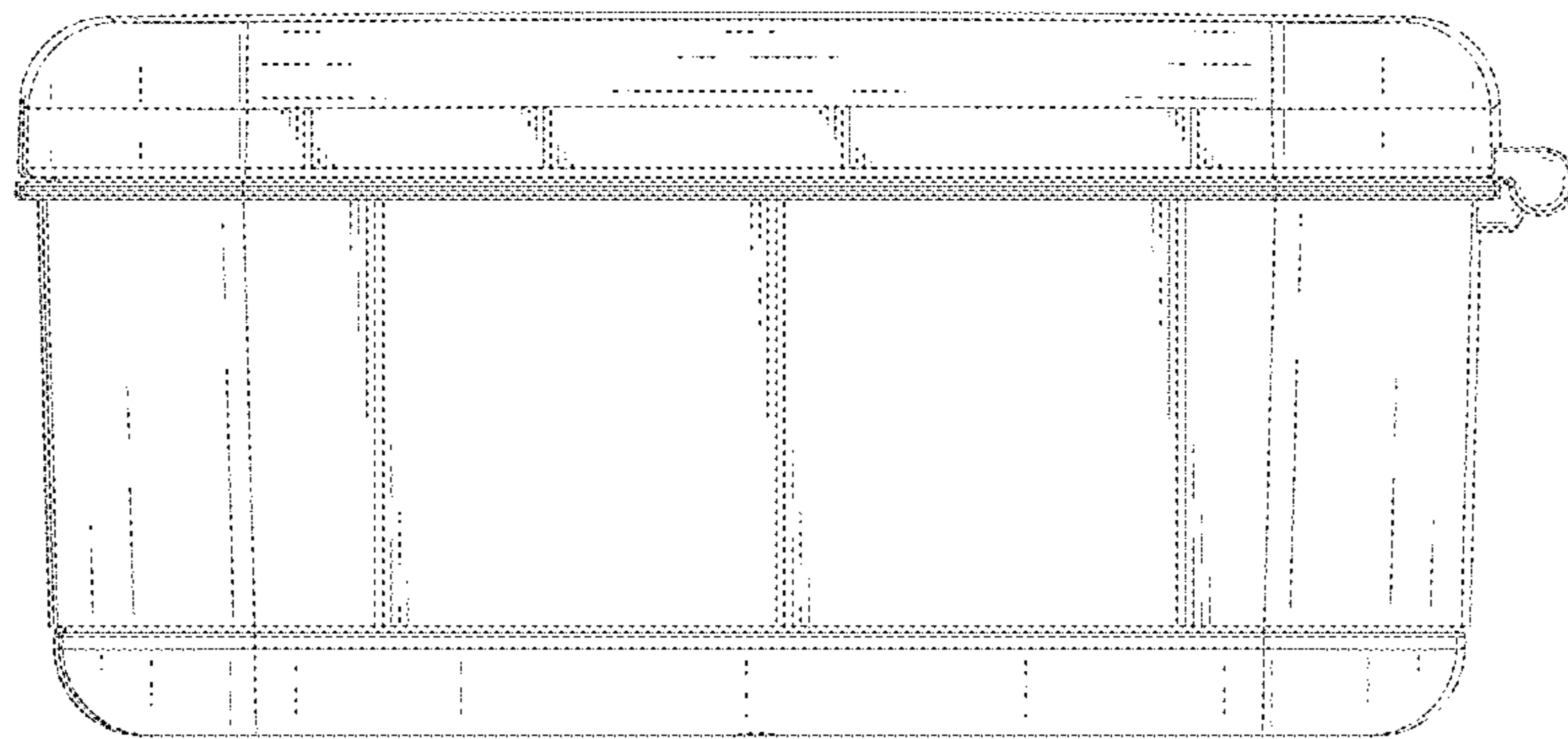


FIG. 7

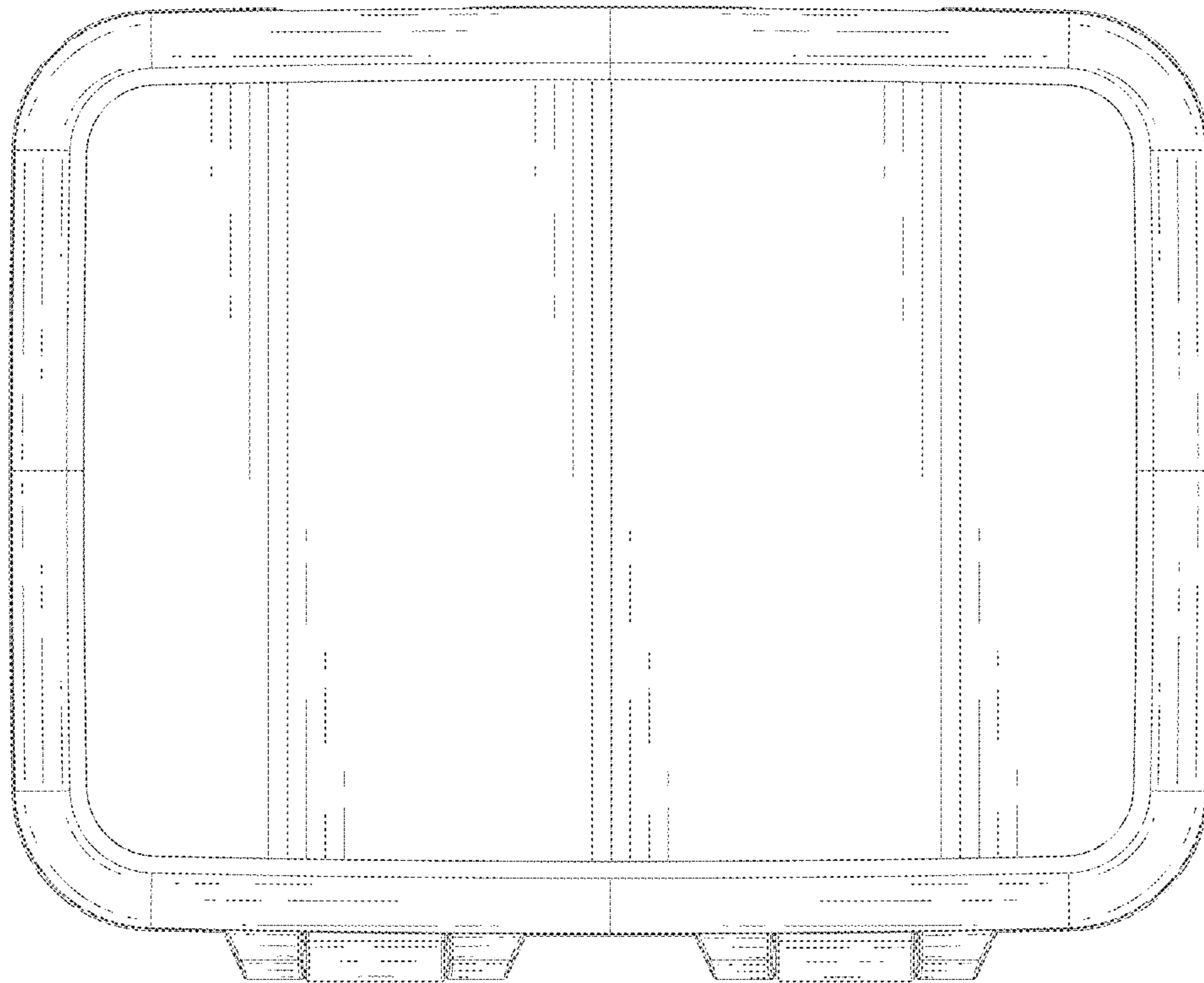


FIG. 8

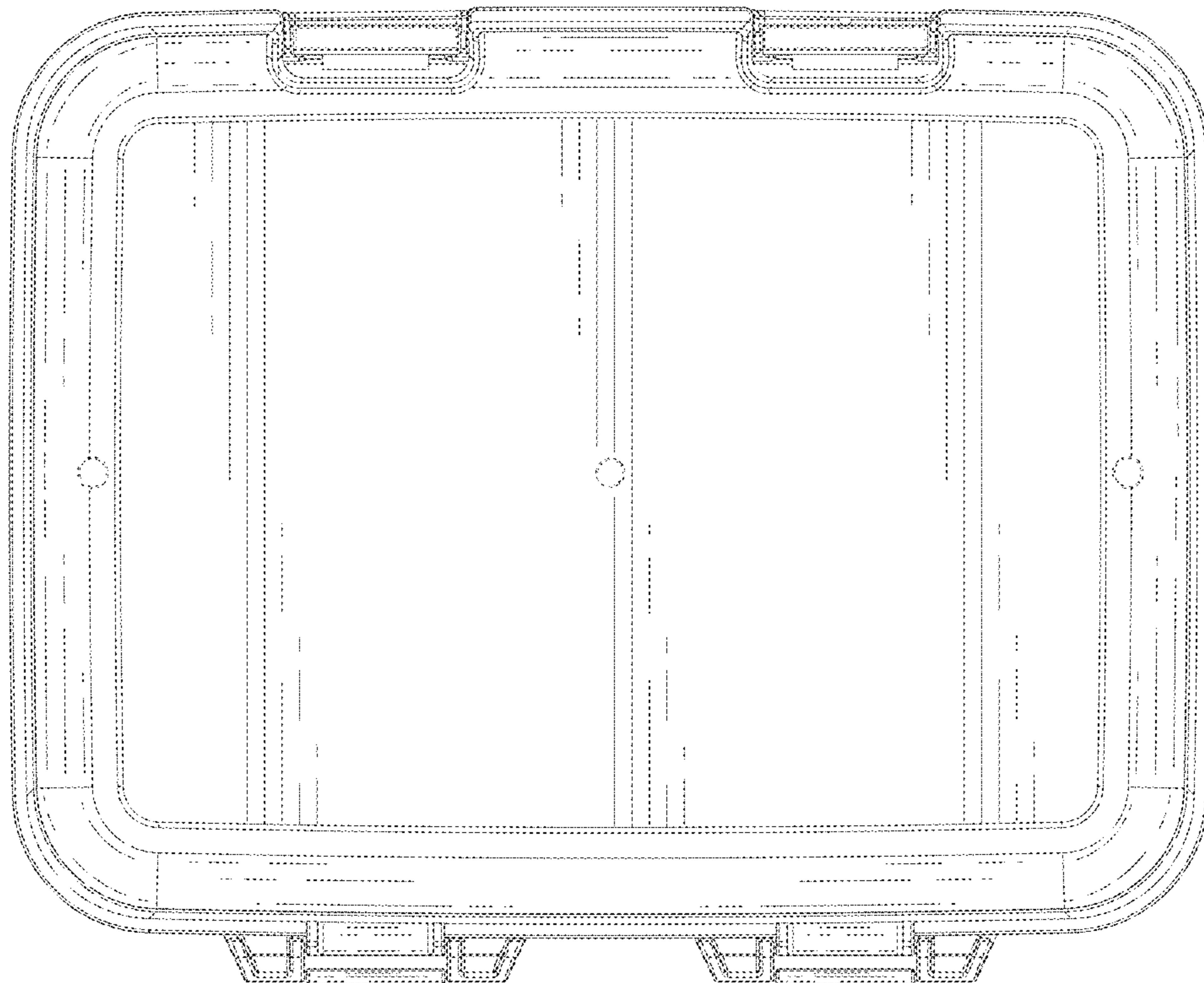


FIG. 9