

US00D962017S

(12) **United States Design Patent** (10) **Patent No.:** **US D962,017 S**
Lu (45) **Date of Patent:** **** Aug. 30, 2022**

(54) **CUTTING MACHINE**

(71) Applicant: **Zhejiang Fullstar Houseware Co., Ltd.**, Taizhou (CN)

(72) Inventor: **Congqiang Lu**, Taizhou (CN)

(**) Term: **15 Years**

(21) Appl. No.: **29/740,524**

(22) Filed: **Jul. 6, 2020**

(30) **Foreign Application Priority Data**

Feb. 20, 2020 (CN) 202030056009.0

(51) **LOC (13) Cl.** **07-04**

(52) **U.S. Cl.**
USPC **D7/674; D7/678**

(58) **Field of Classification Search**
USPC D7/672-678, 357, 693-696, 683, 372
CPC B26D 3/185; B26D 3/26; B26D 3/283;
B26D 3/285; A47J 43/25; A47J 43/20
See application file for complete search history.

(56) **References Cited**

U.S. PATENT DOCUMENTS

D330,316 S *	10/1992	So	D7/678
D548,025 S *	8/2007	Kaposi	D7/672
D578,838 S *	10/2008	Hood	D7/678
D618,517 S *	6/2010	Wong	D7/672
D729,595 S *	5/2015	Hauser	D7/693
D730,704 S *	6/2015	Repac	D7/672
D770,868 S *	11/2016	Repac	D7/672
D776,495 S *	1/2017	Repac	D7/672
D823,075 S *	7/2018	Repac	D7/672
D873,627 S *	1/2020	Chen	D7/672
D929,825 S *	9/2021	Lu	D7/678
D931,692 S *	9/2021	Lu	D7/678

D935,831 S *	11/2021	Lu	D7/372
2015/0345200 A1 *	12/2015	Repac	B26D 3/185
				241/84.3
2016/0302620 A1 *	10/2016	Repac	B26D 3/185

OTHER PUBLICATIONS

Brieftons Quickpush Food Chopper, Oct. 14, 2019, Amazon, <https://www.amazon.com/Brieftons-QuickPush-Chopper-Extra-Large-Vegetables/dp/B07Z32XV3W> (Year: 2019).*
Fullstar Vegetable Chopper, Nov. 21, 2017, Amazon, <https://www.amazon.com/Vegetable-Chopper-Spiralizer-Slicer-Choppers/dp/B0764HS4SL> (Year: 2017).*
Chugod, Vegetable Slicer Dicer, Dec. 19, 2016, Amazon, <https://www.amazon.com/Vegetable-Slicer-WEINAS-Chopper-Cutter/dp/B01N5H1QD2> (Year: 2016).*

(Continued)

Primary Examiner — Brett Miller

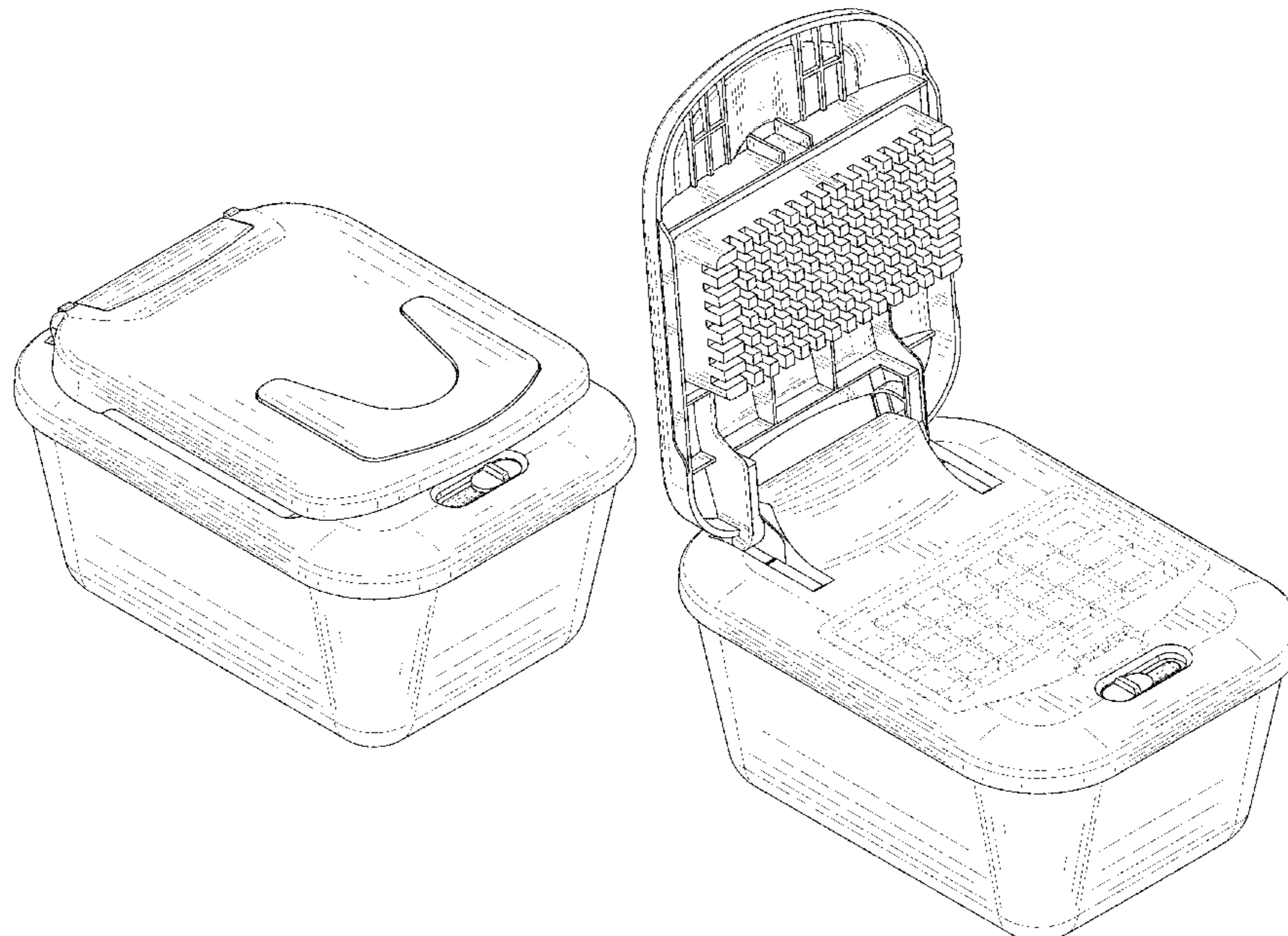
(57) **CLAIM**

The ornamental design for a cutting machine, as shown and described.

DESCRIPTION

FIG. 1 is a first perspective view of a cutting machine showing my new design;
FIG. 2 is a second perspective view thereof;
FIG. 3 is a front view thereof;
FIG. 4 is a back view thereof;
FIG. 5 is a left side view thereof;
FIG. 6 is a right side view thereof;
FIG. 7 is a top view thereof;
FIG. 8 is a bottom view thereof; and,
FIG. 9 is a perspective view of another state of the cutting machine thereof.
The broken lines shown in the drawings depict portions of the cutting machine in which the design is embodied that form no part of the claimed design.

1 Claim, 9 Drawing Sheets



(56)

References Cited

OTHER PUBLICATIONS

OXO Good Grips Vegetable and Onion Chopper, Feb. 8, 2016, Amazon, <https://www.amazon.com/OXO-Grips-Vegetable-Chopper-Opening/dp/B01BKWJ861> (Year: 2016).*

Mangetai, Mandolin Vegetable Slicer, Jun. 12, 2018, Amazon, <https://www.amazon.com/Mandolin-Vegetable-Multi-function-Chopper-Cucumber/dp/B07DP1P7FX/> (Year: 2018).*

* cited by examiner



FIG. 1

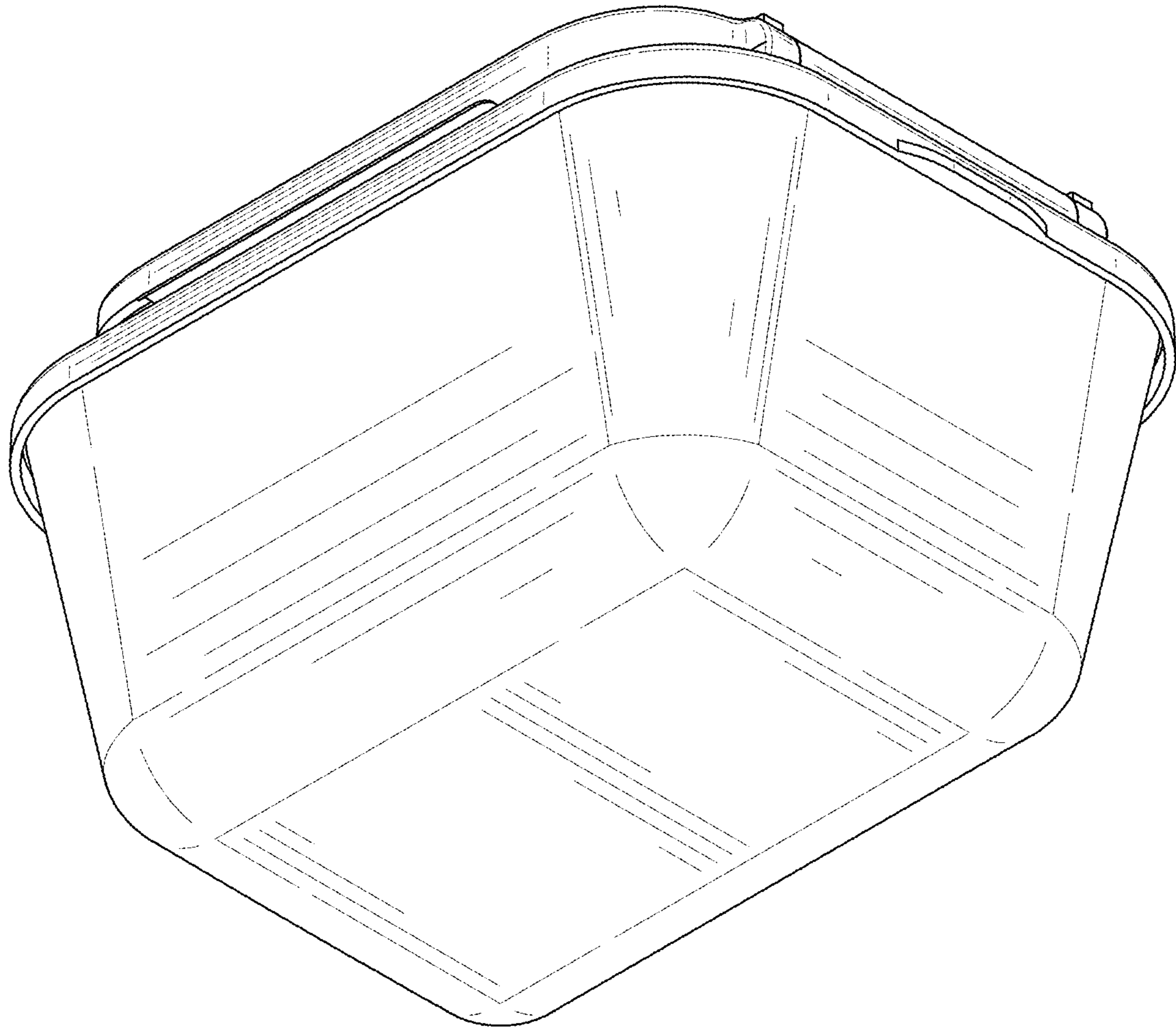


FIG. 2

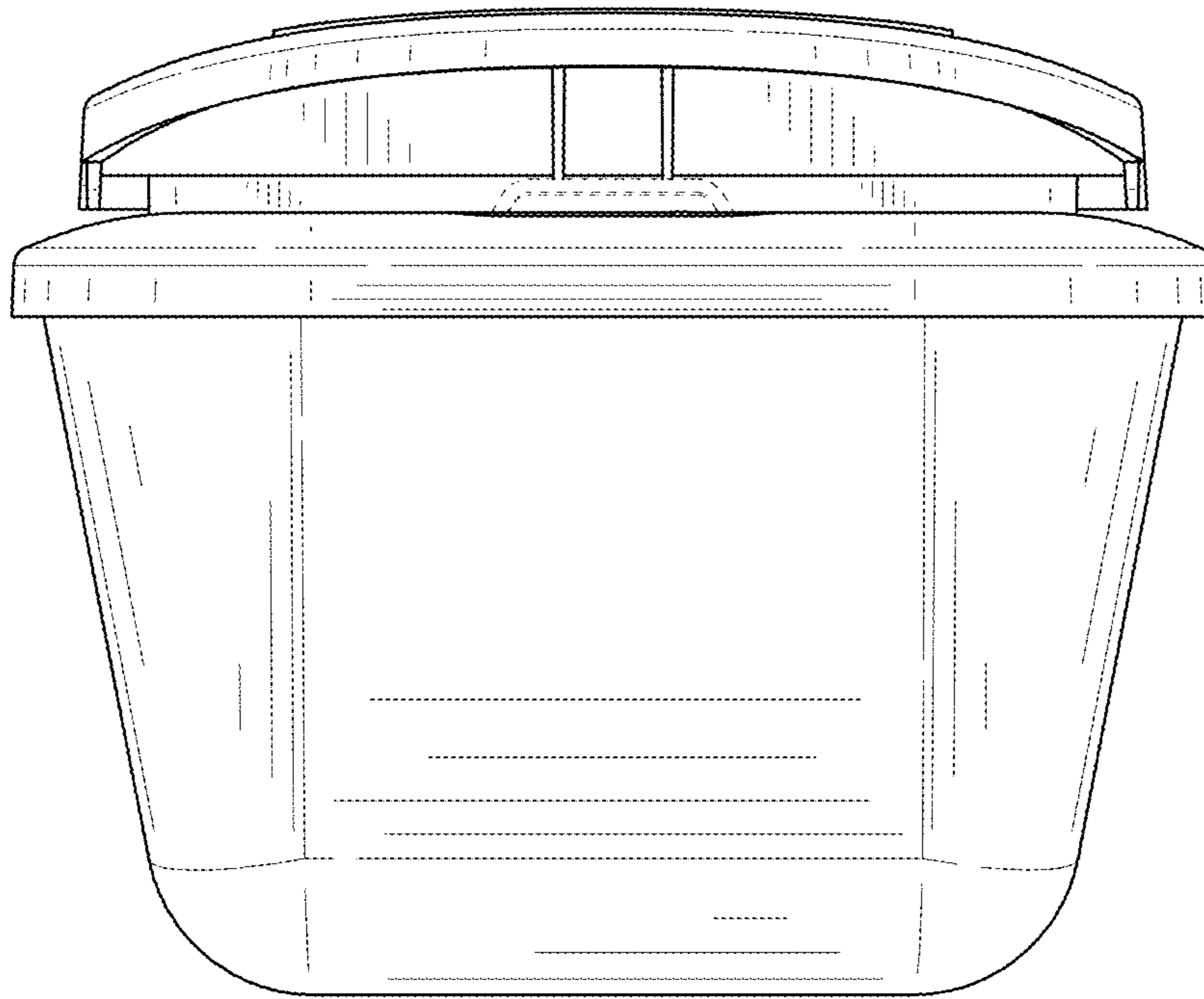


FIG. 3

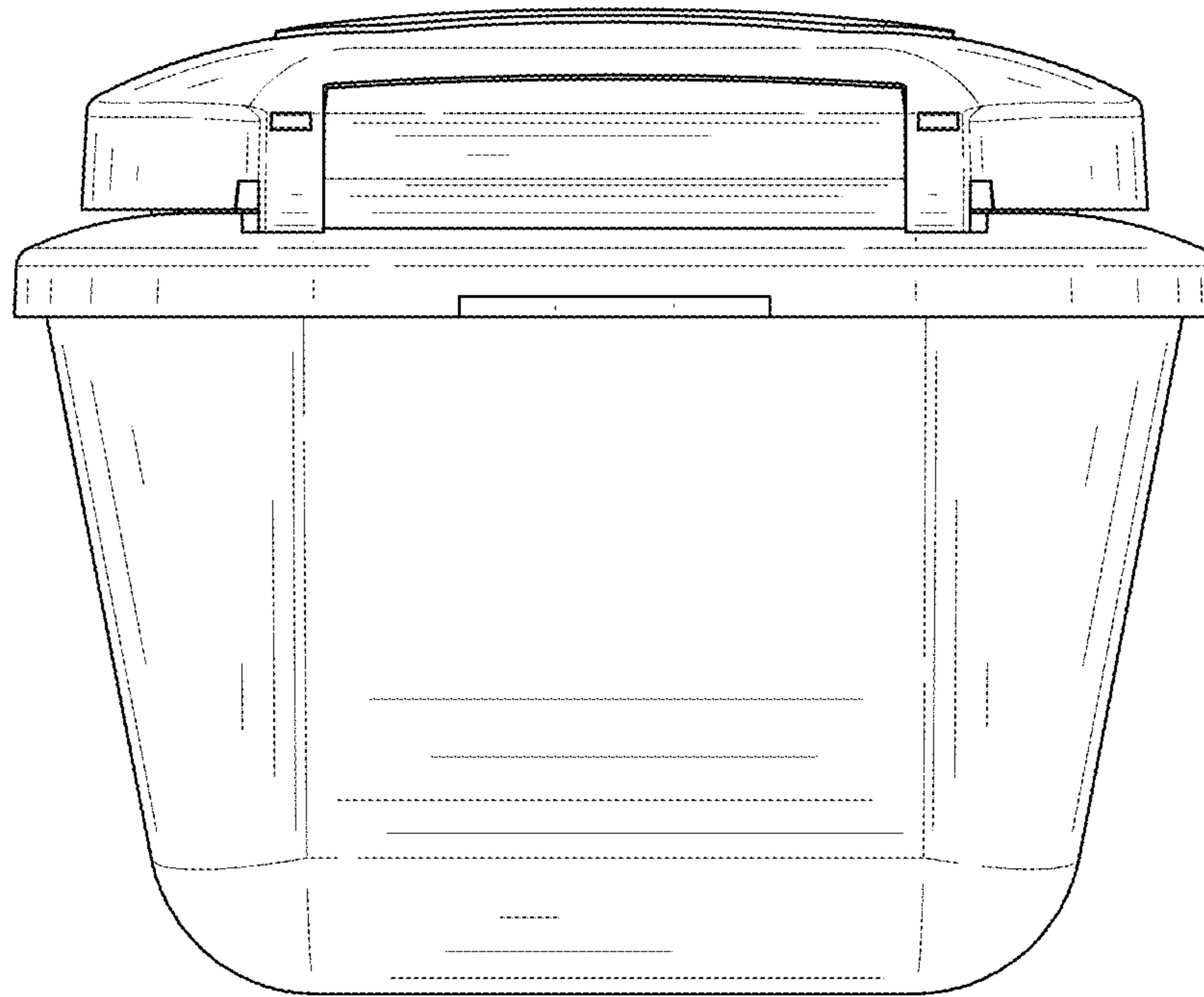


FIG. 4

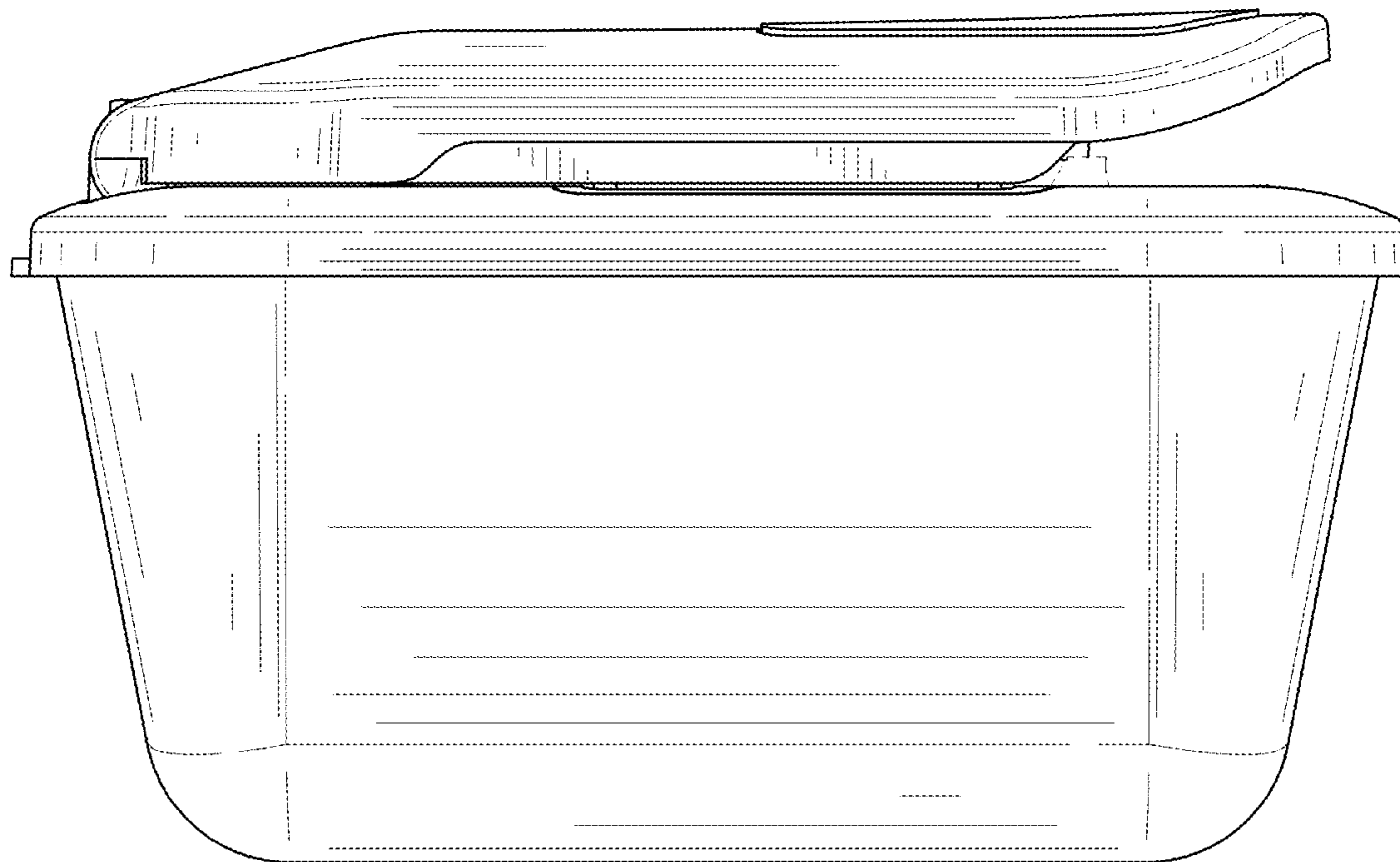


FIG. 5

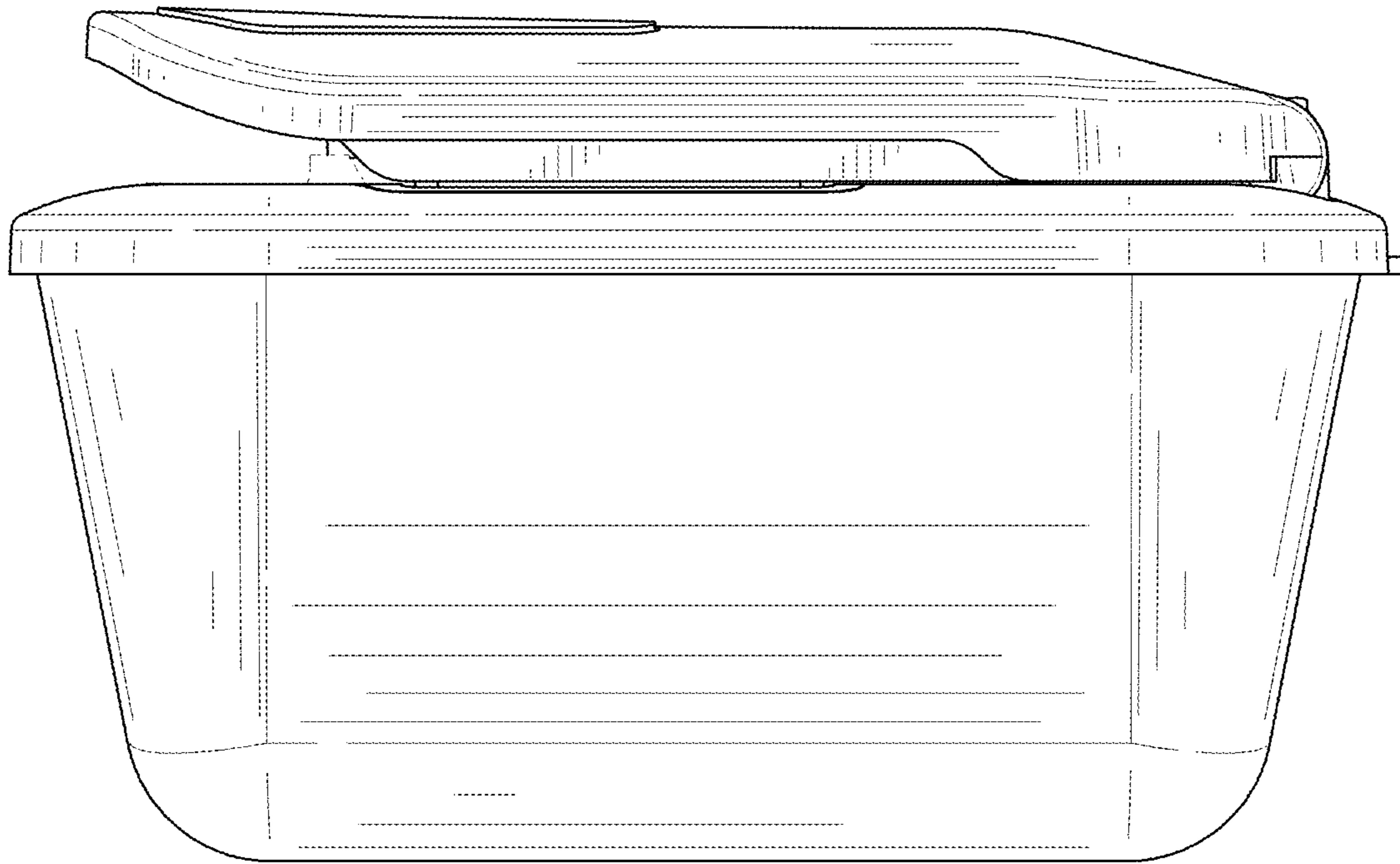


FIG. 6

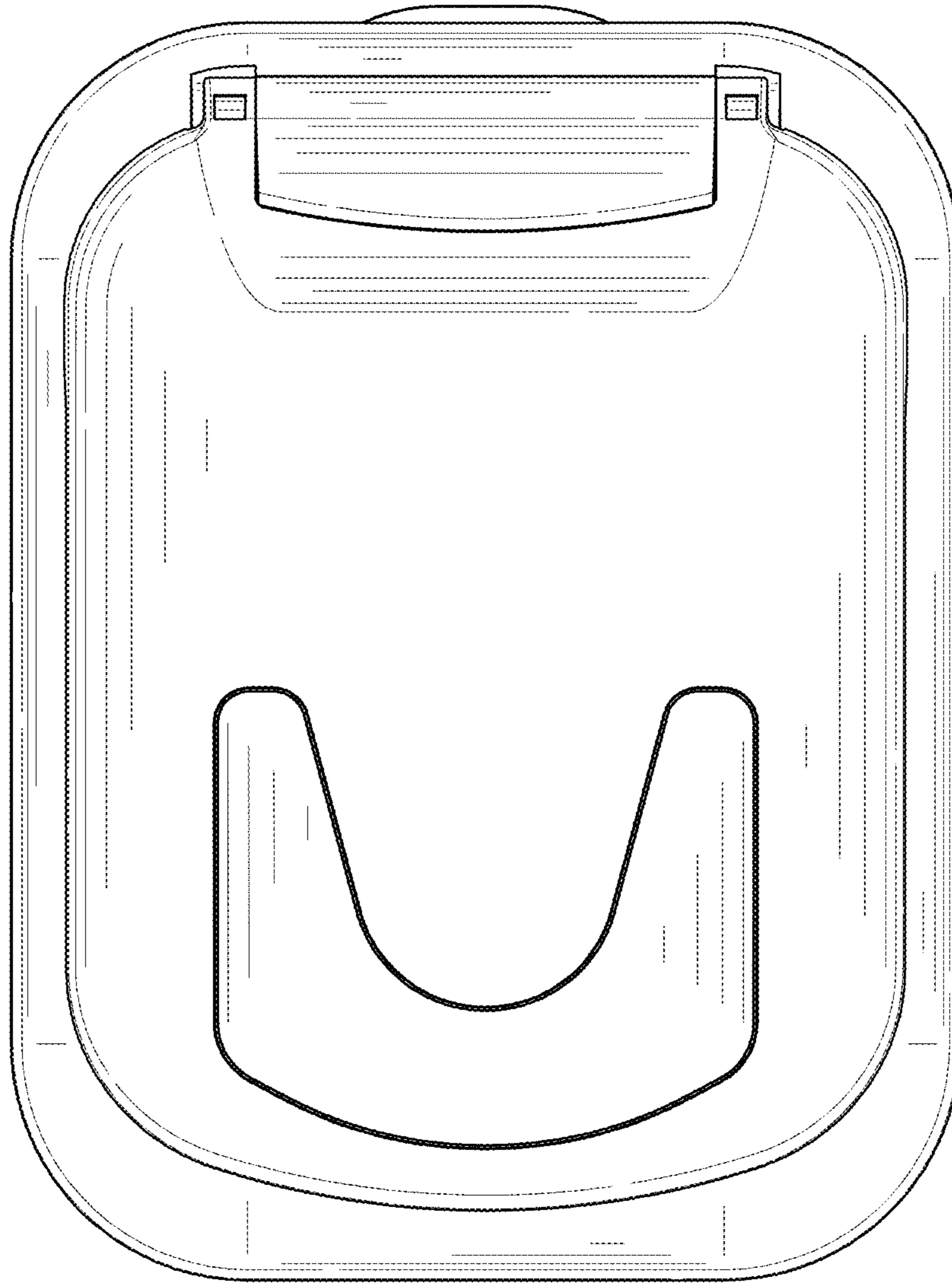


FIG. 7

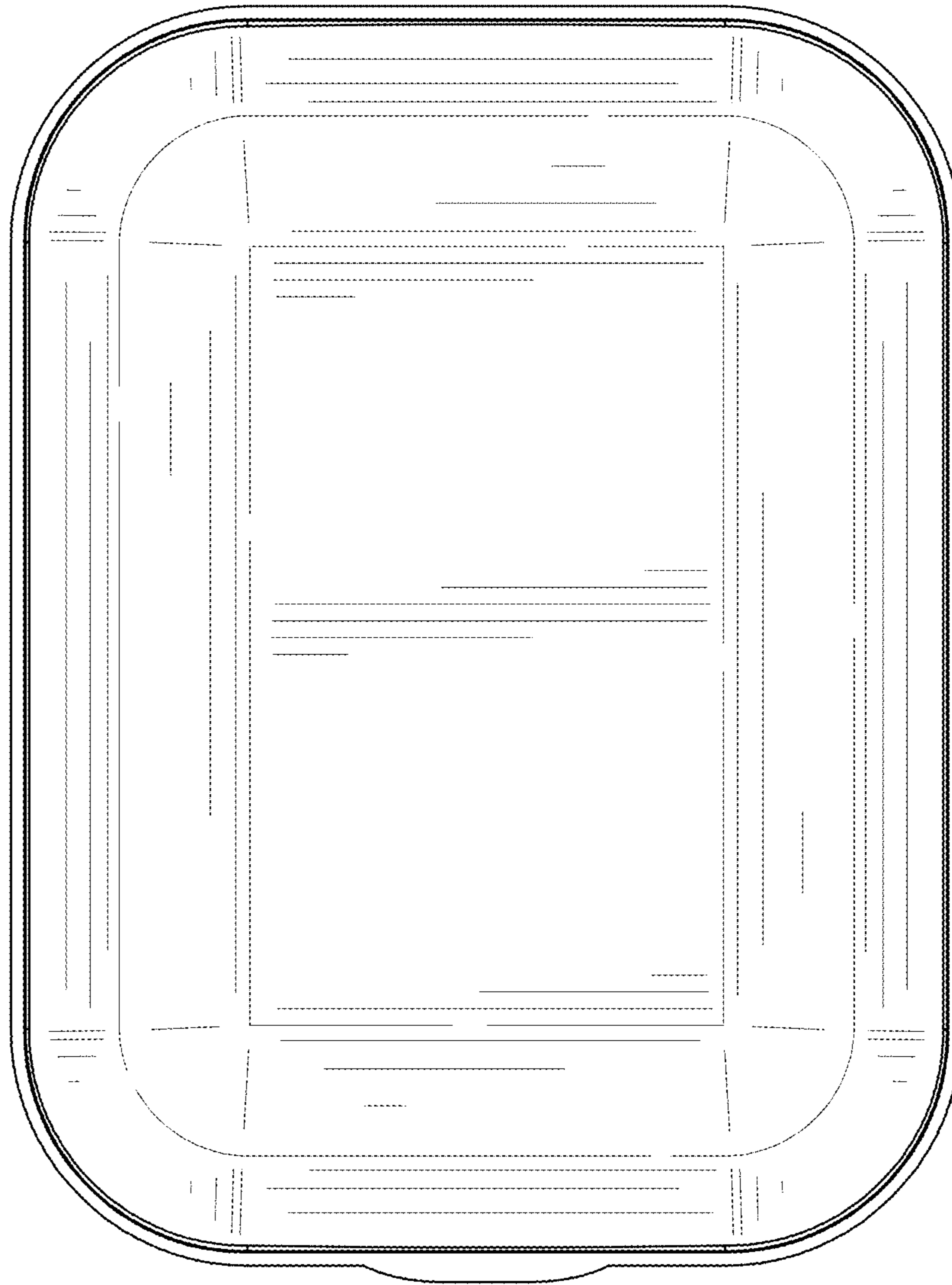


FIG. 8

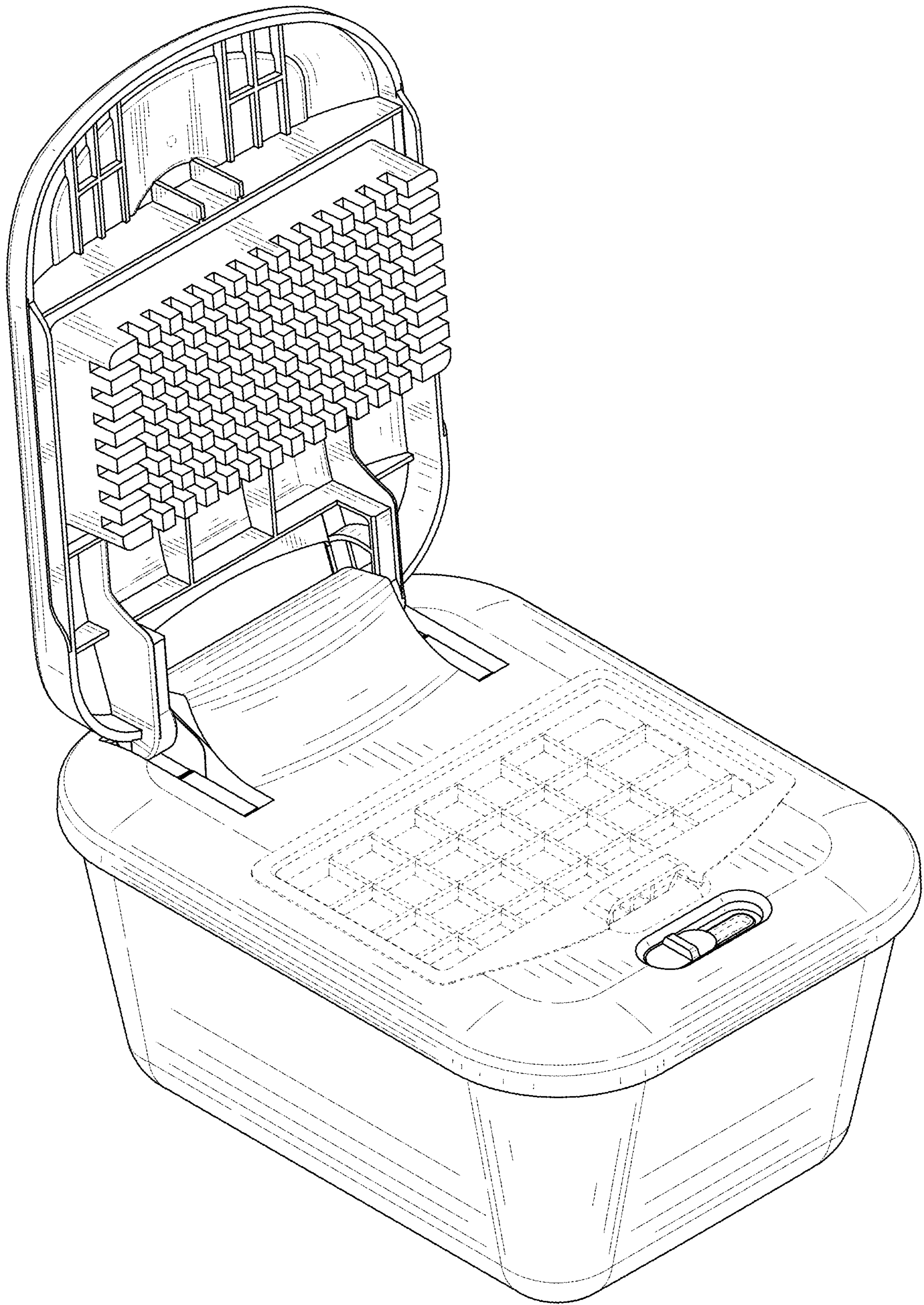


FIG. 9