



US00D962014S

(12) **United States Design Patent**
Peng

(10) **Patent No.:** **US D962,014 S**

(45) **Date of Patent:** **** Aug. 30, 2022**

(54) **FOOD JAR**

(71) Applicant: **SHENZHEN KEAN SILICONE PRODUCT CO., LTD**, Shenzhen (CN)

(72) Inventor: **Pandian Peng**, Shenzhen (CN)

(73) Assignee: **SHENZHEN KEAN SILICONE PRODUCT CO., LTD**, Shenzhen (CN)

(**) Term: **15 Years**

(21) Appl. No.: **29/771,710**

(22) Filed: **Feb. 24, 2021**

(30) **Foreign Application Priority Data**

Aug. 27, 2020 (CN) 202030498897.1

(51) **LOC (13) Cl.** **07-01**

(52) **U.S. Cl.**
USPC **D7/629; D7/542; D9/519**

(58) **Field of Classification Search**
USPC ... D7/300, 392.1, 396.2, 505, 532-536, 537,
D7/540, 586, 587, 607, 608, 629, 647,
D7/709; D9/428, 519; D24/193, 197,
D24/199

CPC A47G 19/02; A47G 19/12; A47G 19/2266;
A47G 19/30; A47G 21/00; A47G 21/08;
A47G 2400/10; B65D 47/061

See application file for complete search history.

(56) **References Cited**

U.S. PATENT DOCUMENTS

4,884,717 A * 12/1989 Bussard B65D 47/06
426/115
D397,216 S * 8/1998 Armand A61J 11/007
D24/117

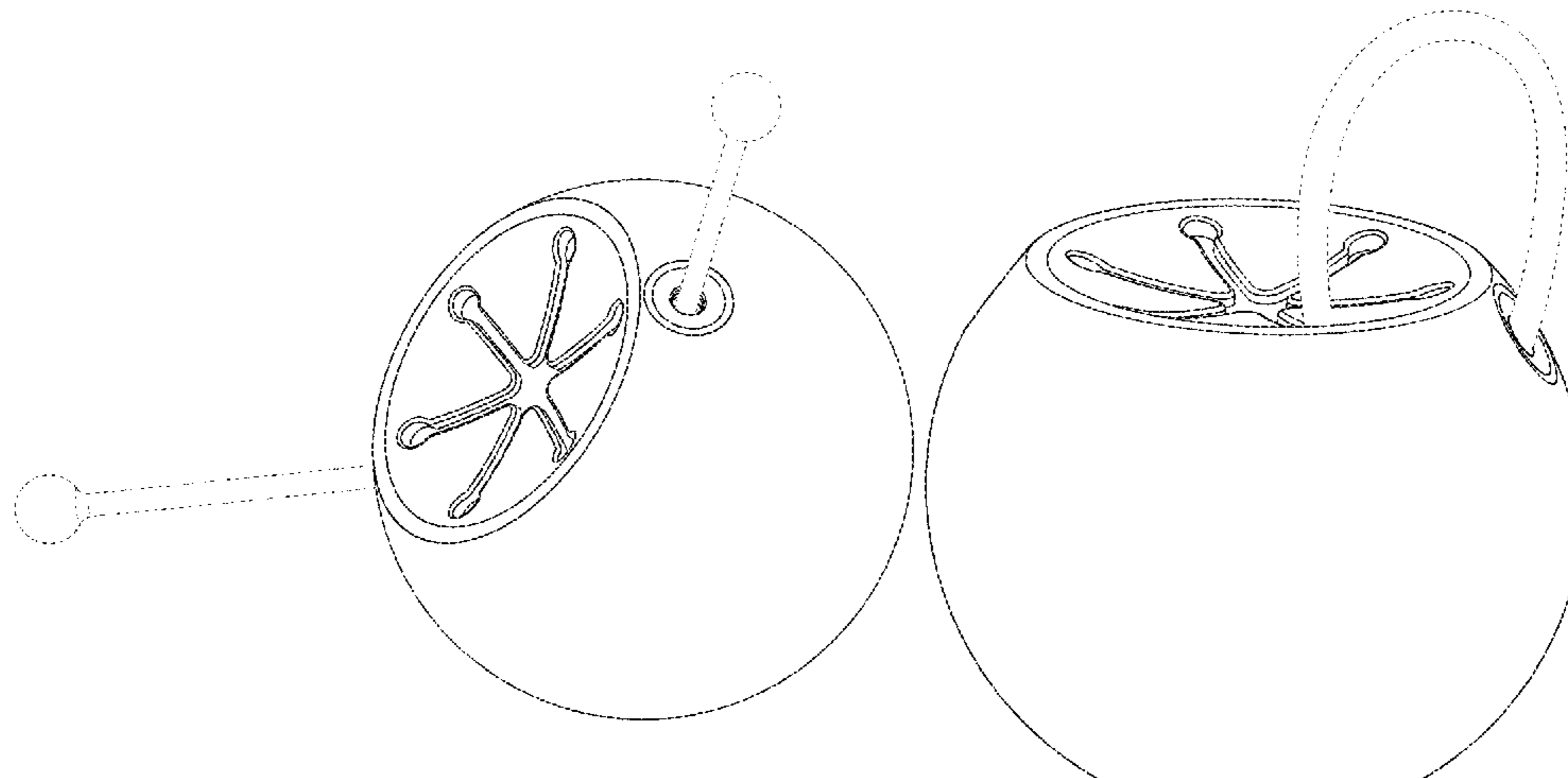
D441,871 S * 5/2001 Fedale D24/197
D479,333 S * 9/2003 Turnbough D24/197
D616,249 S * 5/2010 Galinski D7/629
7,766,168 B2 * 8/2010 Thrapp B65F 1/1607
206/315.11
D626,000 S * 10/2010 Chertoff D9/519
D645,711 S * 9/2011 Sudia D7/629
D652,687 S * 1/2012 Ablo D7/629
D675,067 S * 1/2013 Del Solar B65D 43/0212
D7/629
D676,709 S * 2/2013 Thomas A61B 17/0218
D7/510
D686,044 S * 7/2013 Del Solar B65F 1/1607
D7/629
8,985,363 B2 * 3/2015 Gubitosi B65D 25/32
220/765
D751,392 S * 3/2016 Wu B65D 47/06
D7/392.1
D779,329 S * 2/2017 Buogo A47G 19/2222
D9/519
9,957,089 B2 * 5/2018 Rogers B65F 1/1607
10,364,072 B2 * 7/2019 Tebbe B65D 55/16
D881,886 S * 4/2020 Bidwell D14/420
D889,972 S * 7/2020 Hesse D9/519
10,987,094 B2 * 4/2021 Widenhouse A61B 17/0218
D922,866 S * 6/2021 Kaye B65D 55/16
D23/366
2005/0252923 A1 * 11/2005 Woolf A47G 19/30
220/736
2005/0263523 A1 * 12/2005 Moss B65D 43/0212
220/377
2011/0132922 A1 * 6/2011 Summers A47G 19/2266
222/207
2013/0233858 A1 * 9/2013 Elberg A47G 19/2222
220/710
2019/0133356 A1 * 5/2019 Kessler-Seed A61J 11/007

FOREIGN PATENT DOCUMENTS

CN 304540047 * 3/2018 A47G 19/12
CN 305740115 * 4/2020
CN 306340313 * 2/2021
WO WO-2018208033 A1 * 11/2018 A47G 19/12

OTHER PUBLICATIONS

Angela @ Mommy Moment, "Playtex Twist 'n Click Snacker and Bowl #giveaway," Jun. 28, 2012, Mommy Moment, <https://mommymoment.ca/playtex-twist-n-click-snacker-and-bowl-giveaway/> (Year: 2012).*



Nex Supply, "CRITTE Snack Ball Cup for Toddler with Easy-Grab handles," Jul. 8, 2021, Amazon.com, www.amazon.com/CRITTE-Easy-Grab-handles-Container-Silicone/dp/B098ZP81N5?th=1 (Year: 2021).*

* cited by examiner

Primary Examiner — Joseph Kukella

Assistant Examiner — Arva P Adams

(57)

CLAIM

The ornamental design for a food jar, as shown and described.

DESCRIPTION

FIG. 1 is a perspective view of a food jar showing my new design, shown in a first configuration of use;
FIG. 2 is a front elevational view thereof;
FIG. 3 is a rear elevational view thereof;
FIG. 4 is a left side elevational view thereof;
FIG. 5 is a right side elevational view thereof;
FIG. 6 is a top plan view thereof;
FIG. 7 is a bottom plan view thereof;
FIG. 8 is a perspective view of the food jar shown in a second configuration of use;
FIG. 9 is another perspective view thereof;
FIG. 10 is a front elevational view thereof;
FIG. 11 is a rear elevational view thereof;
FIG. 12 is a left side elevational view thereof;
FIG. 13 is a right side elevational view thereof;
FIG. 14 is a top plan view thereof;
FIG. 15 is a bottom plan view thereof;
FIG. 16 is a perspective view of the food jar shown in a third configuration of use;
FIG. 17 is another perspective view thereof;

FIG. 18 is a front elevational view thereof;
FIG. 19 is a rear elevational view thereof;
FIG. 20 is a left side elevational view thereof;
FIG. 21 is a right side elevational view thereof;
FIG. 22 is a top plan view thereof;
FIG. 23 is a bottom plan view thereof;
FIG. 24 is a perspective view of the food jar shown in a fourth configuration of use;
FIG. 25 is another perspective view thereof;
FIG. 26 is a front elevational view thereof;
FIG. 27 is a rear elevational view thereof;
FIG. 28 is a left side elevational view thereof;
FIG. 29 is a right side elevational view thereof;
FIG. 30 is a top plan view thereof;
FIG. 31 is a bottom plan view thereof;
FIG. 32 is a perspective view of the food jar shown in a fifth configuration of use;
FIG. 33 is a front elevational view thereof;
FIG. 34 is a rear elevational view thereof;
FIG. 35 is a left side elevational view thereof;
FIG. 36 is a right side elevational view thereof;
FIG. 37 is a top plan view thereof;
FIG. 38 is a bottom plan view thereof;
FIG. 39 is a perspective view of the food jar shown in a sixth configuration of use;
FIG. 40 is another perspective view thereof;
FIG. 41 is a front elevational view thereof;
FIG. 42 is a rear elevational view thereof;
FIG. 43 is a left side elevational view thereof;
FIG. 44 is a right side elevational view thereof;
FIG. 45 is a top plan view thereof; and,
FIG. 46 is a bottom plan view thereof.
The broken lines in the drawings depict portions of the food jar and form no part of the claimed design.

1 Claim, 46 Drawing Sheets

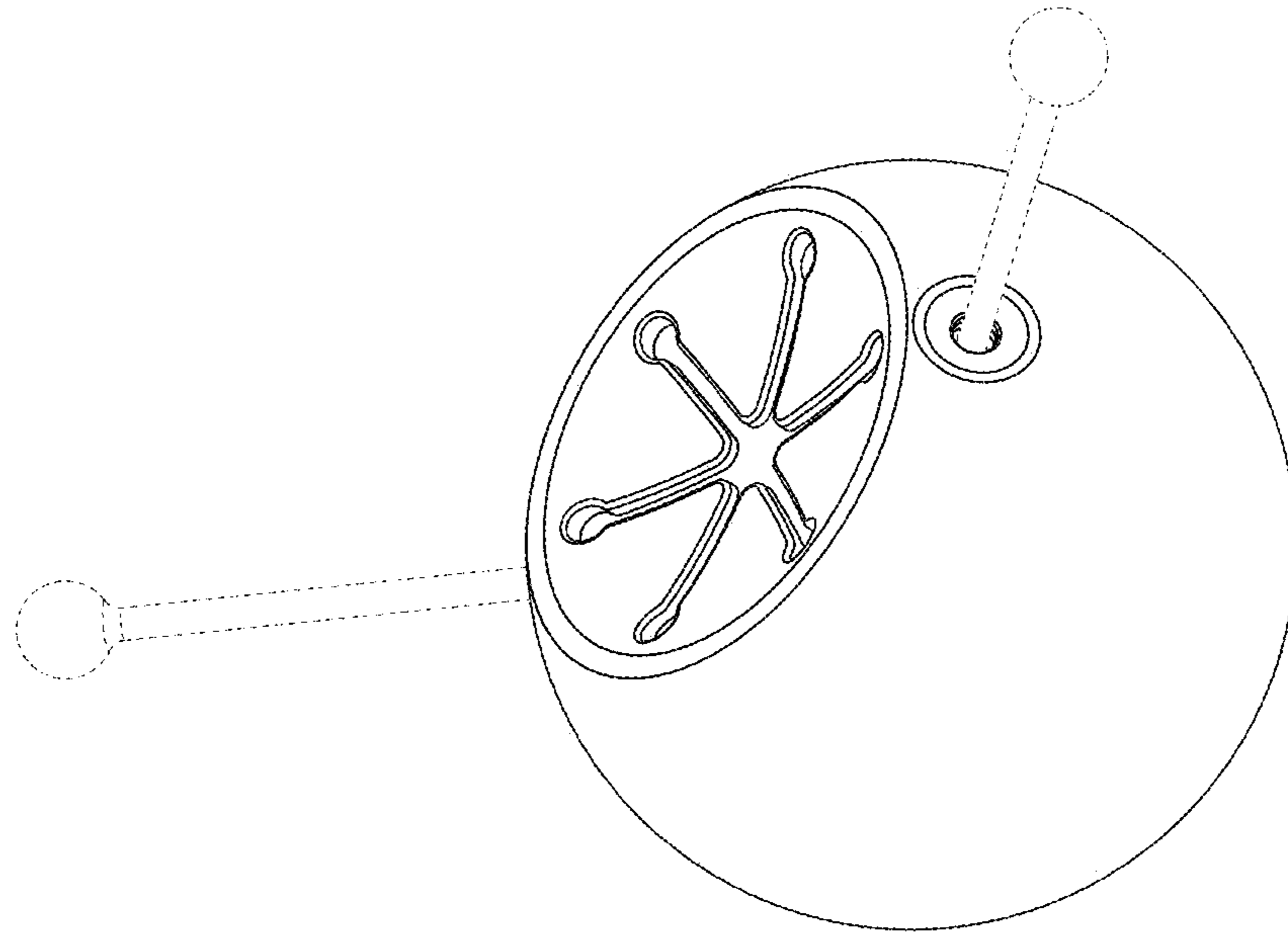


FIG.1

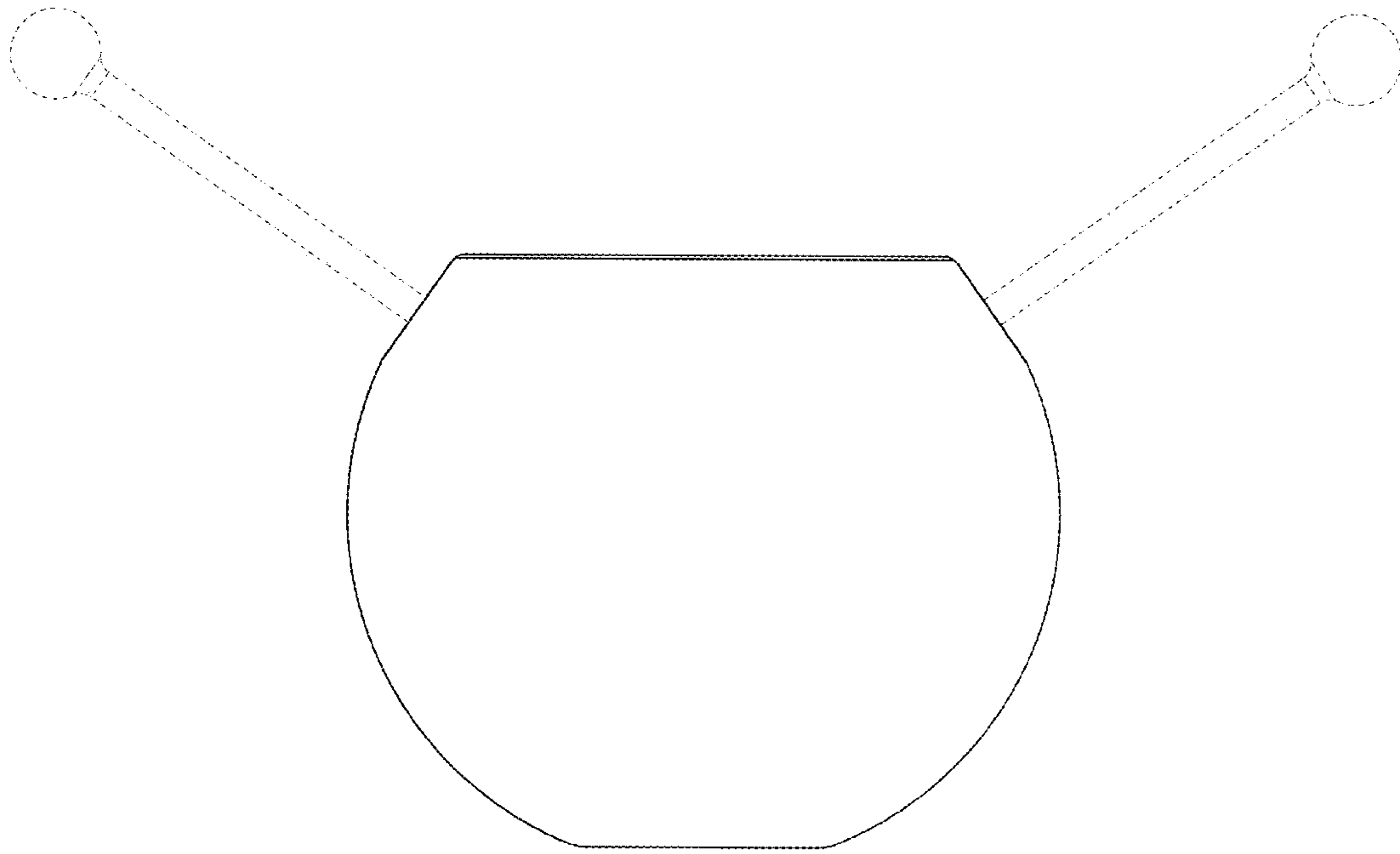


FIG.2

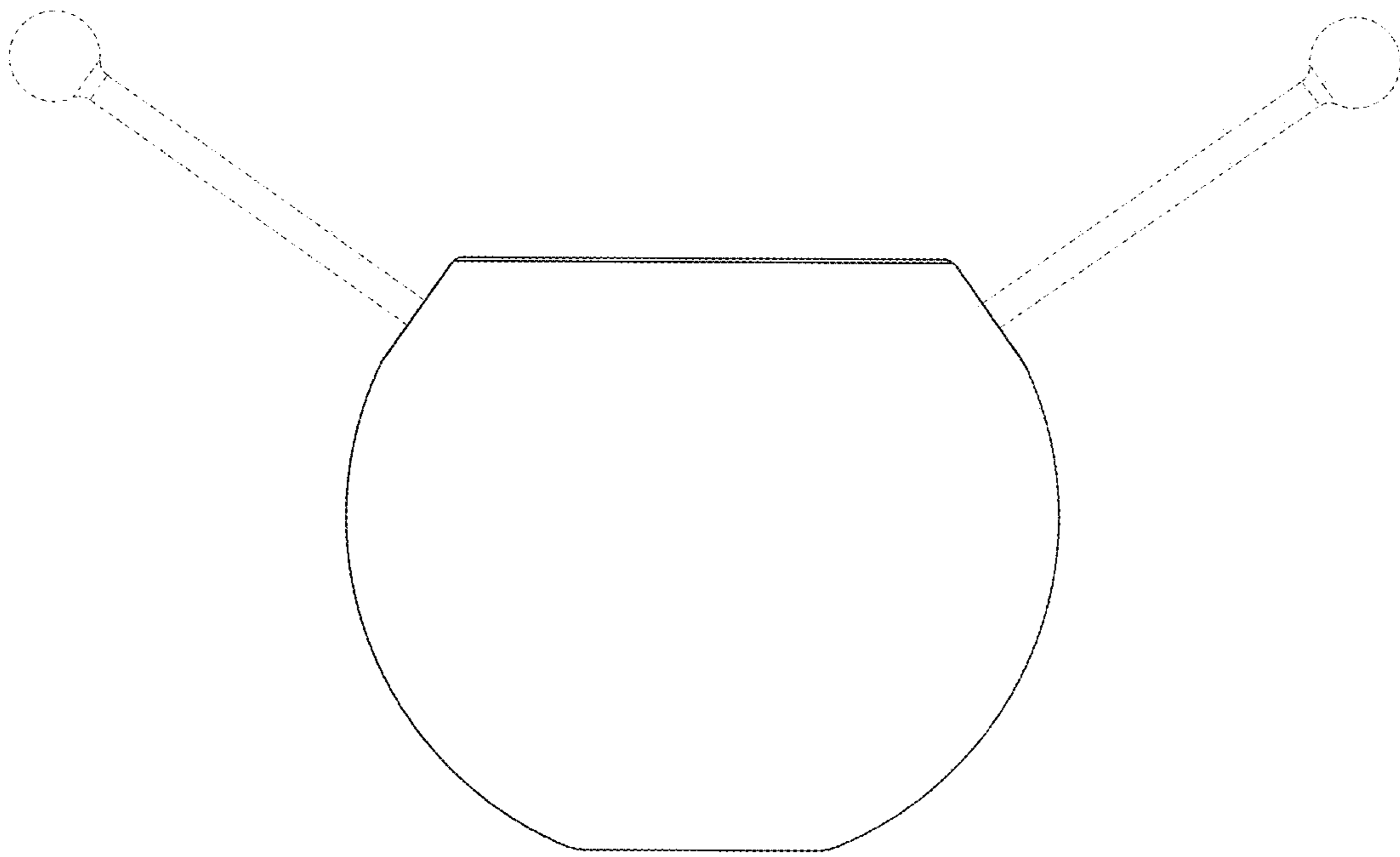


FIG.3

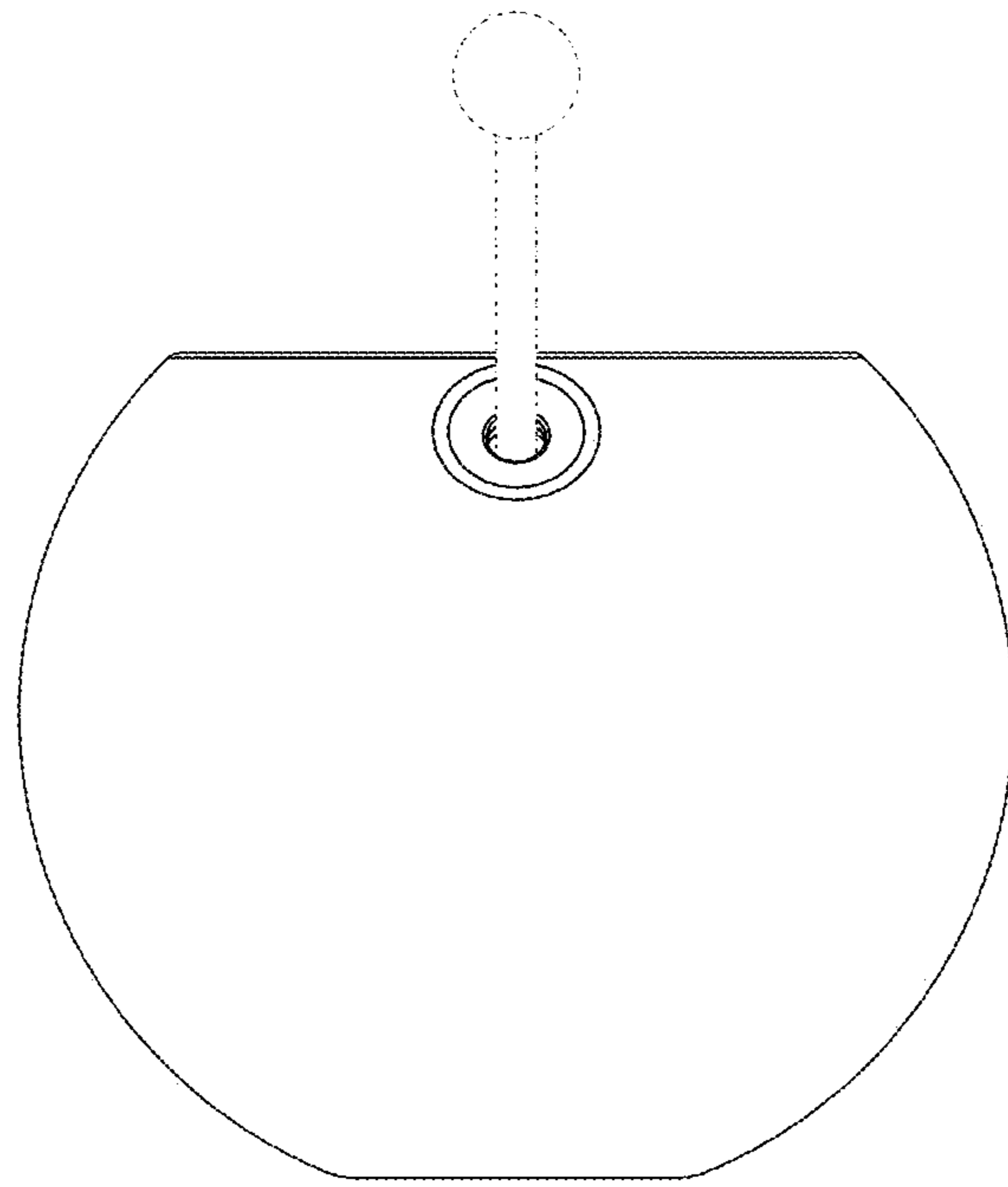


FIG.4

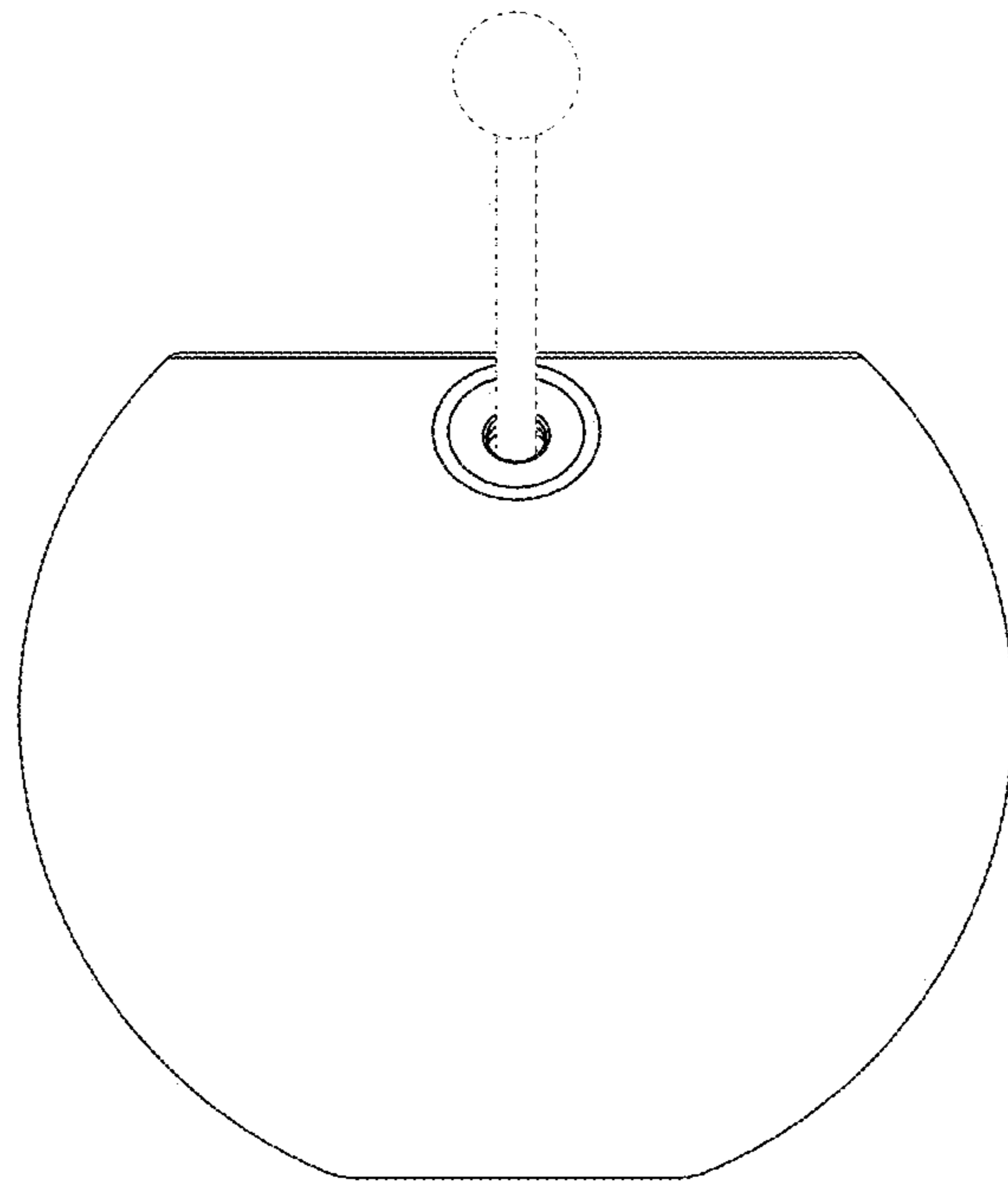


FIG.5

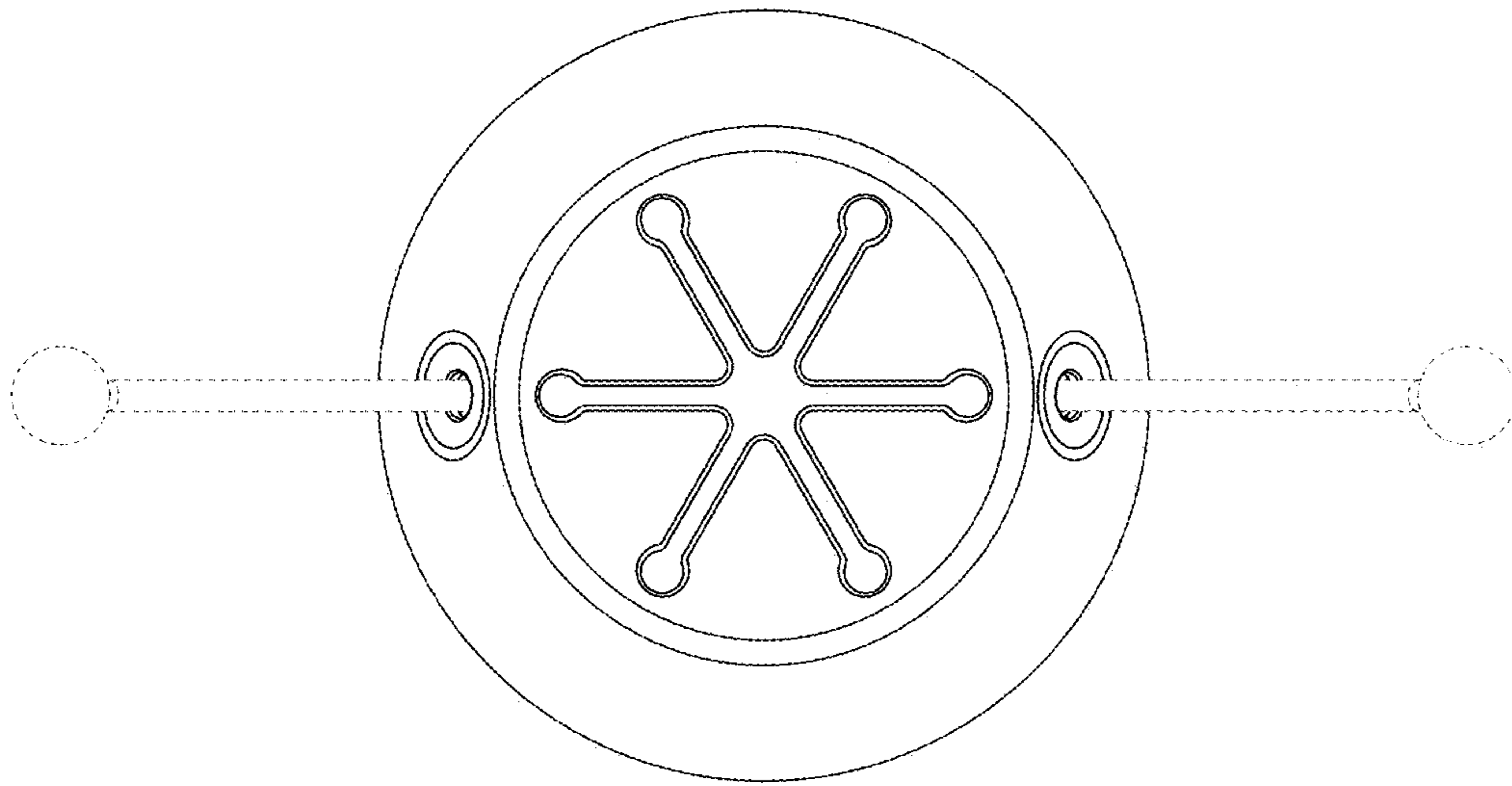


FIG.6

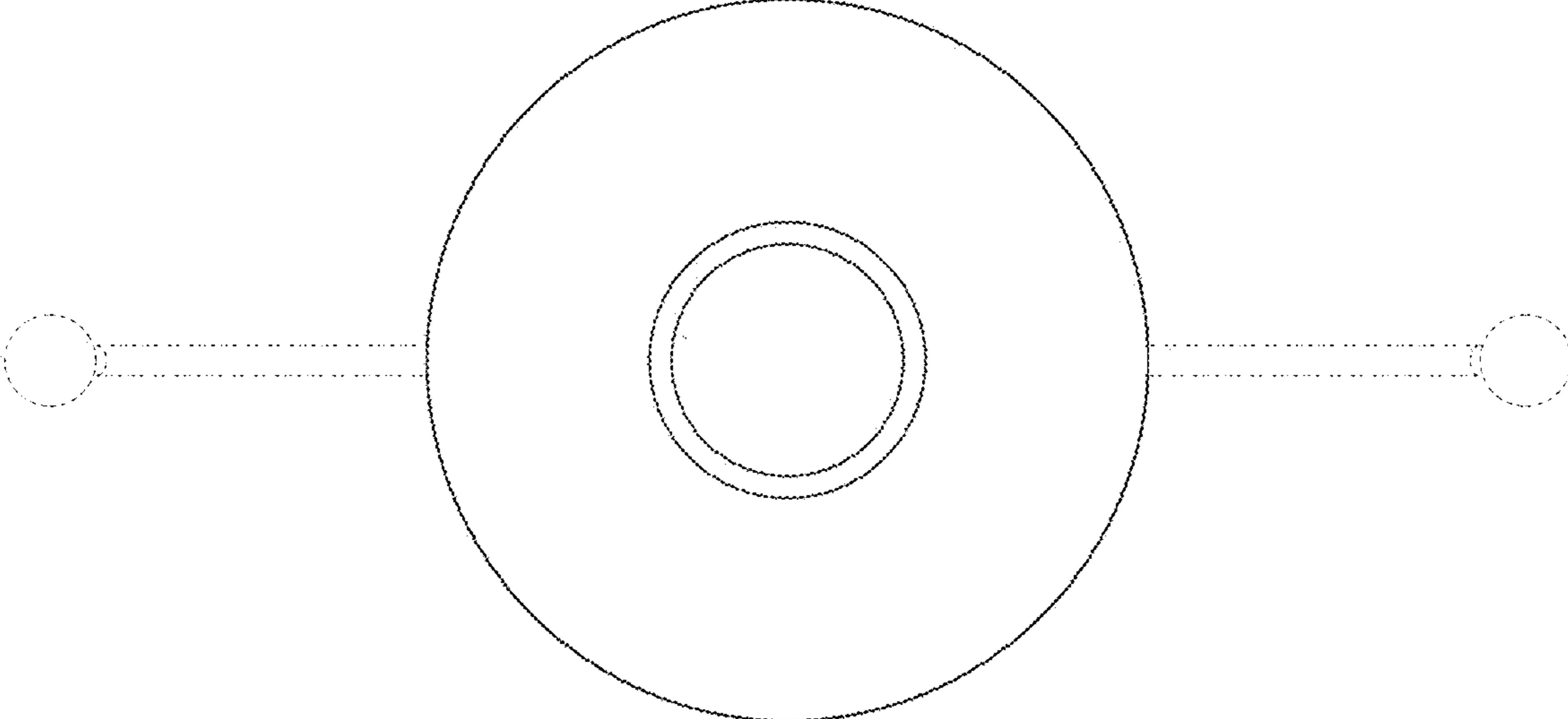


FIG.7

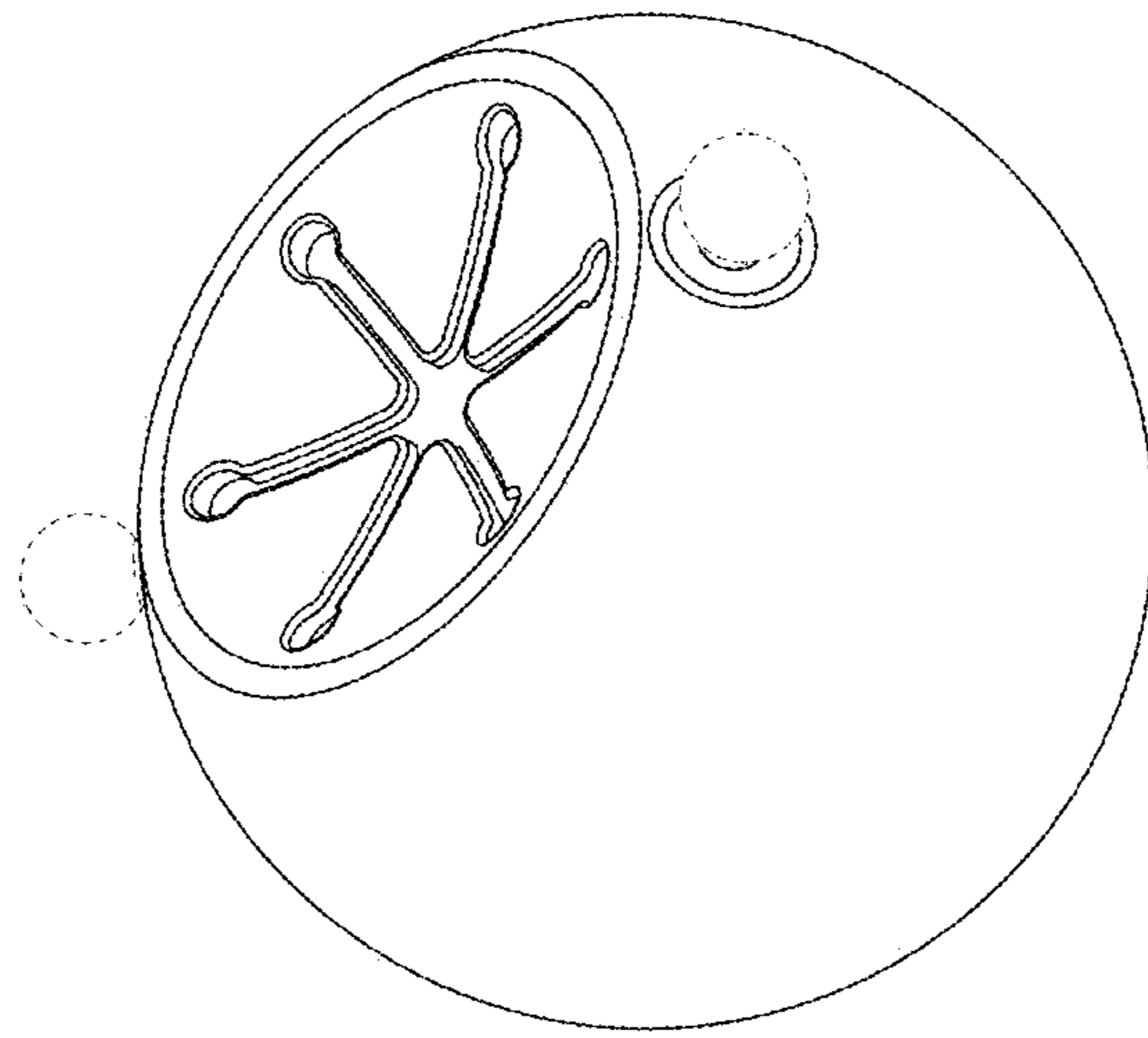


FIG. 8

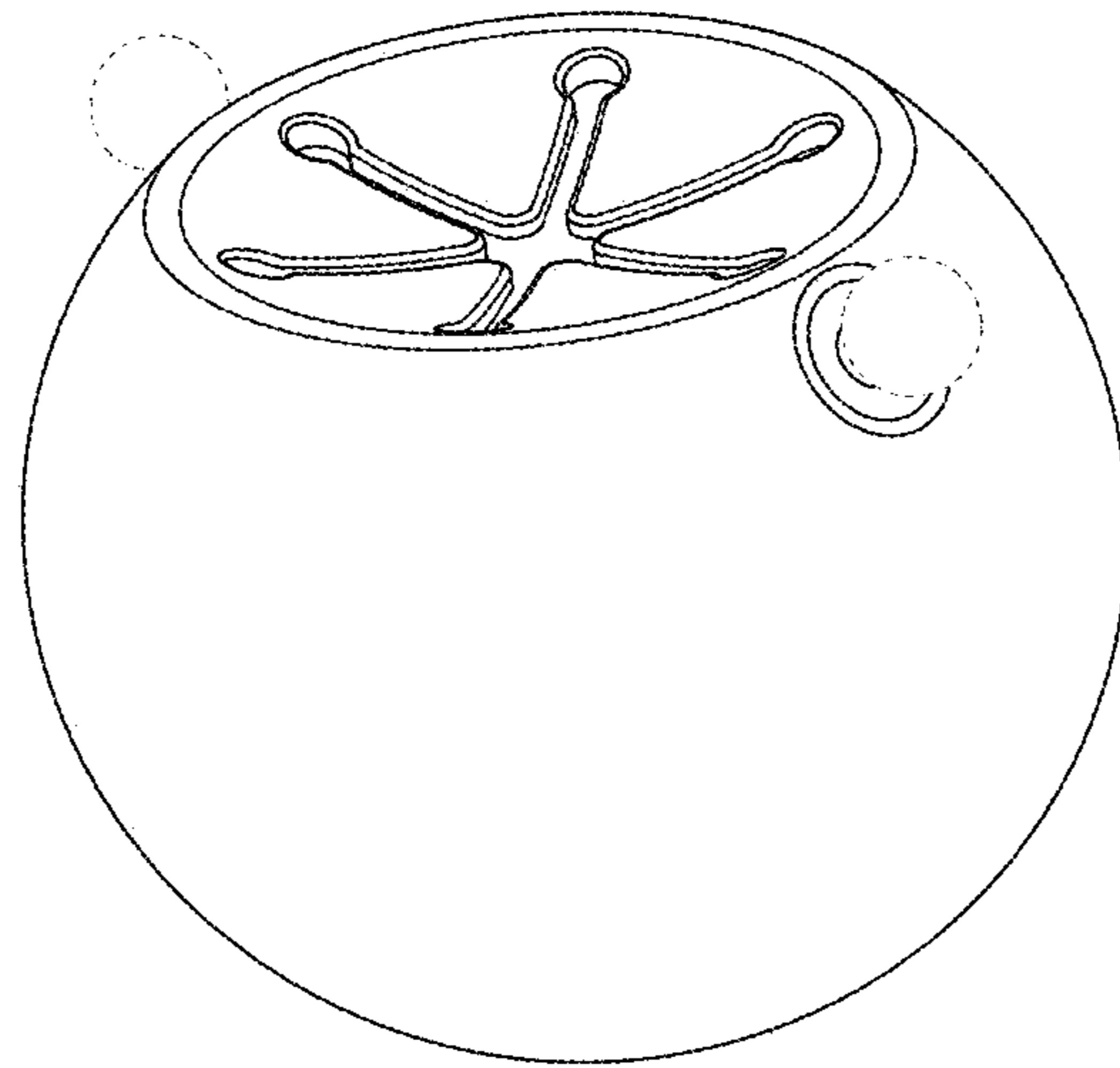


FIG.9

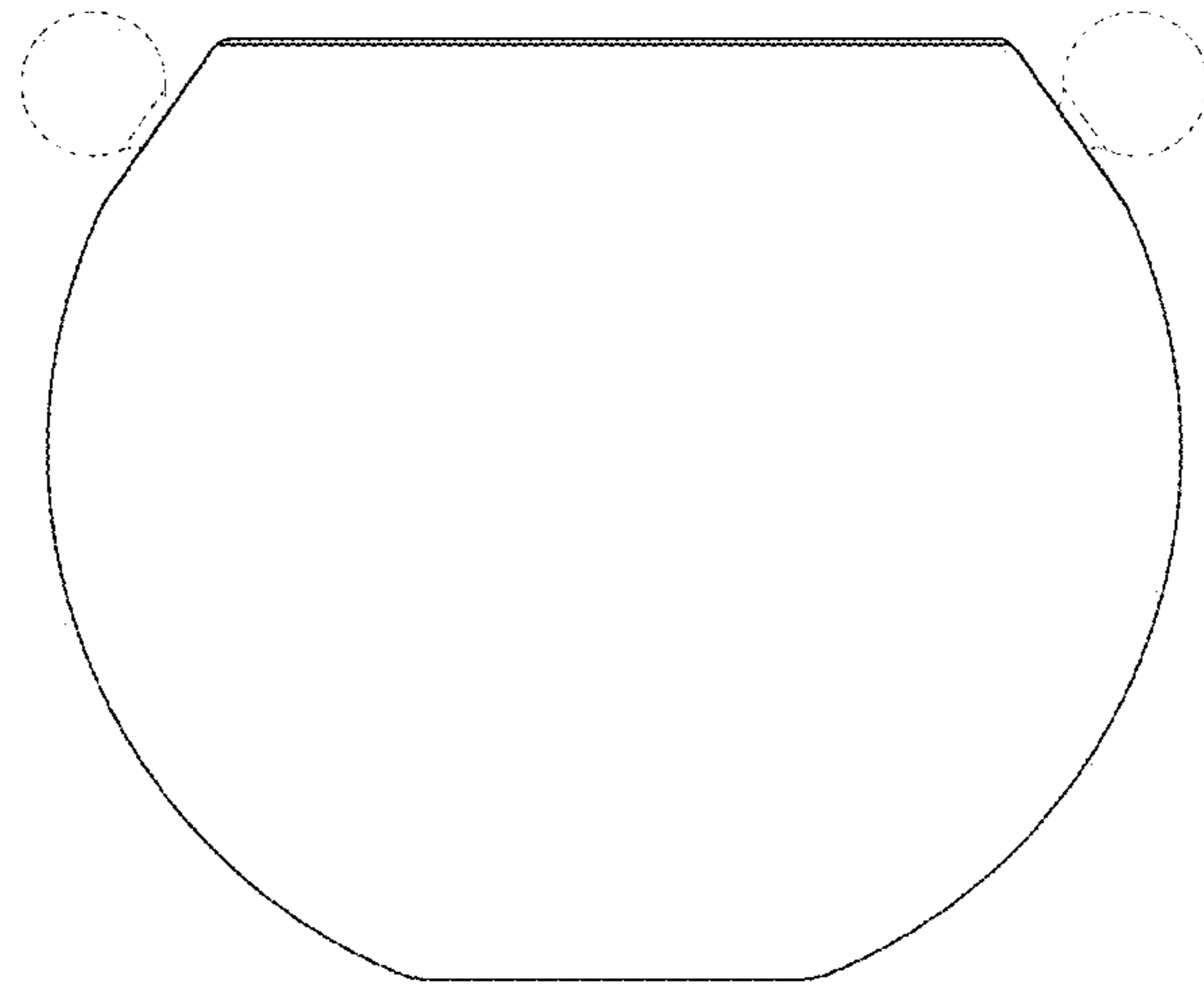


FIG.10

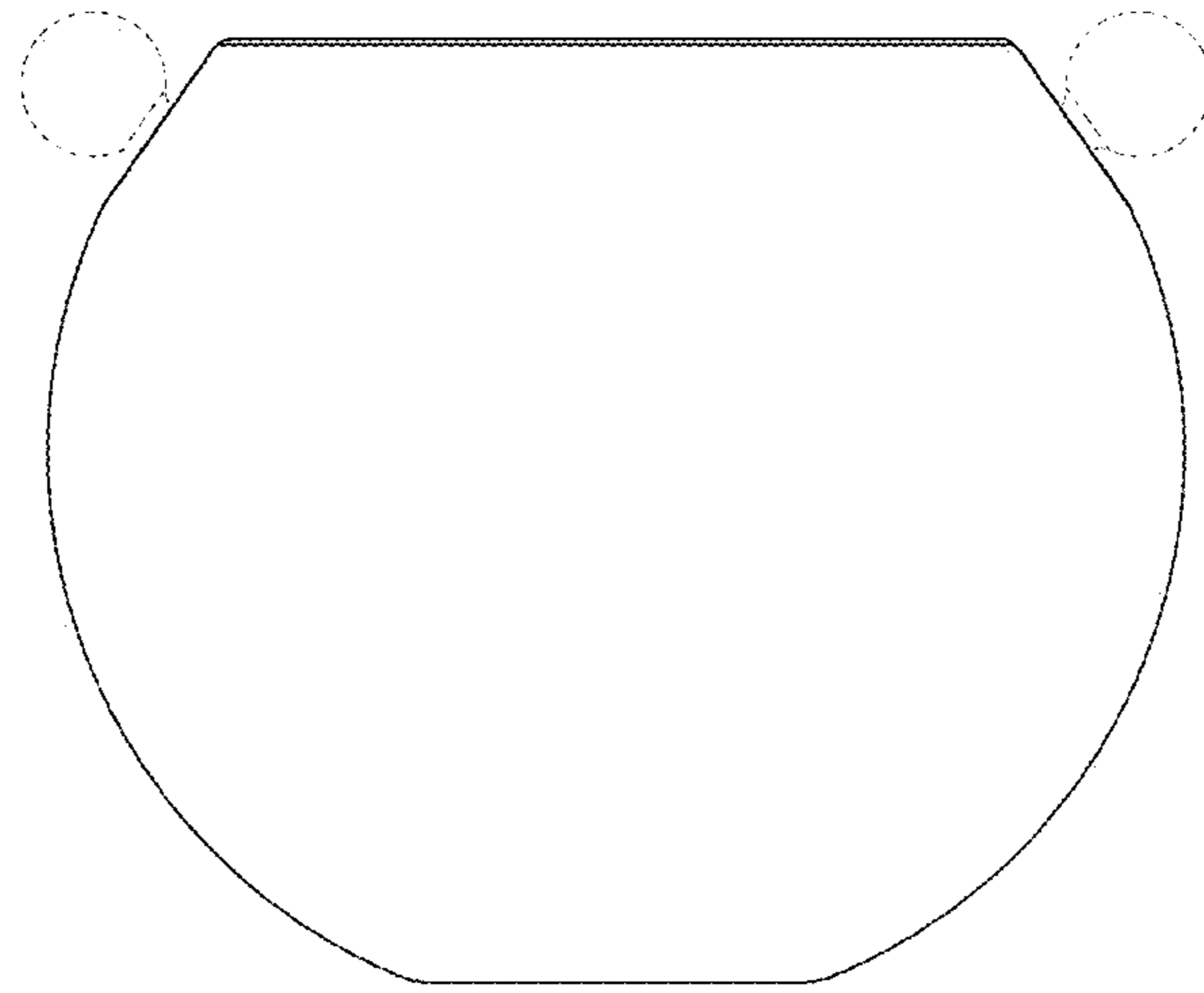


FIG.11

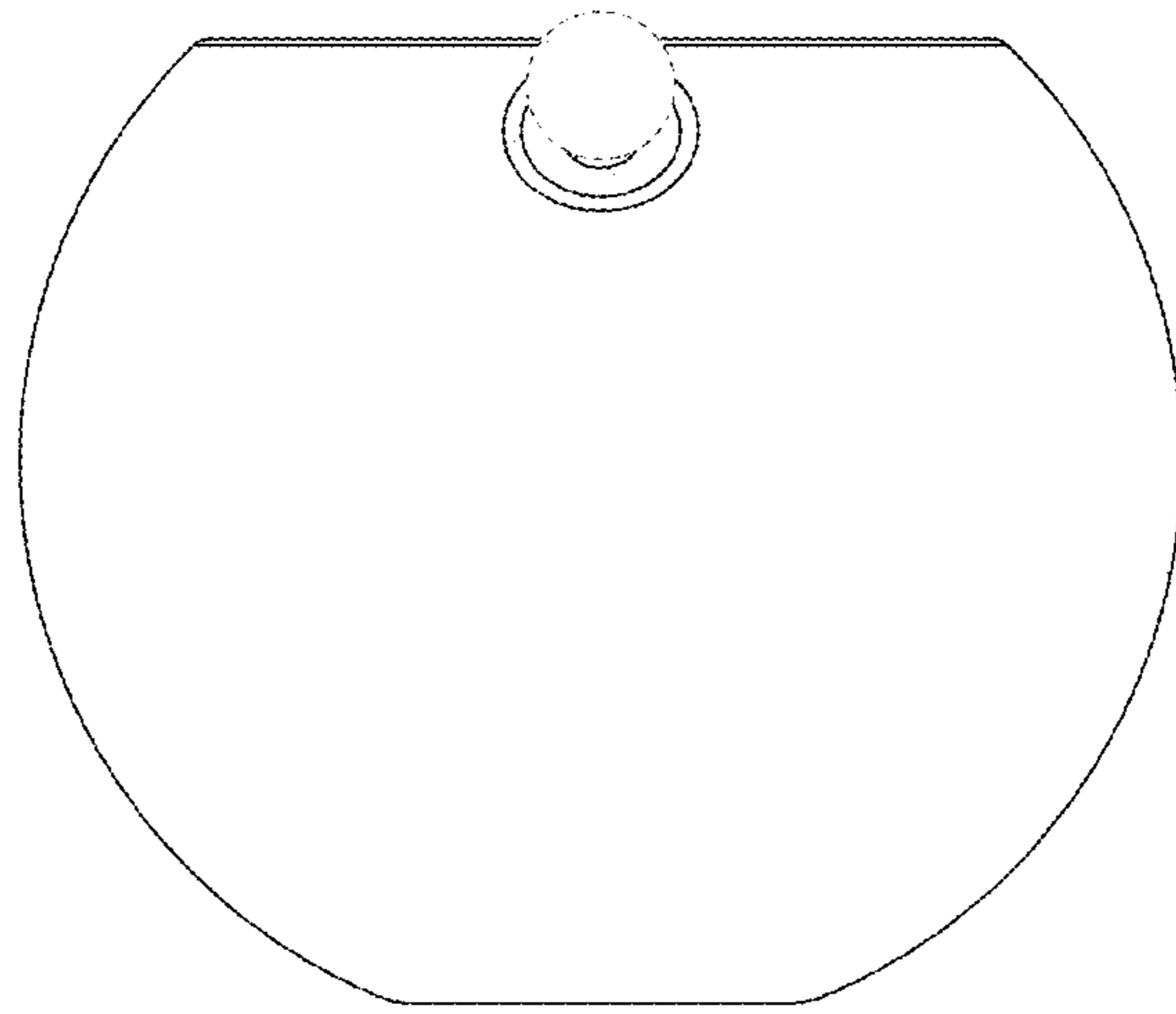


FIG.12

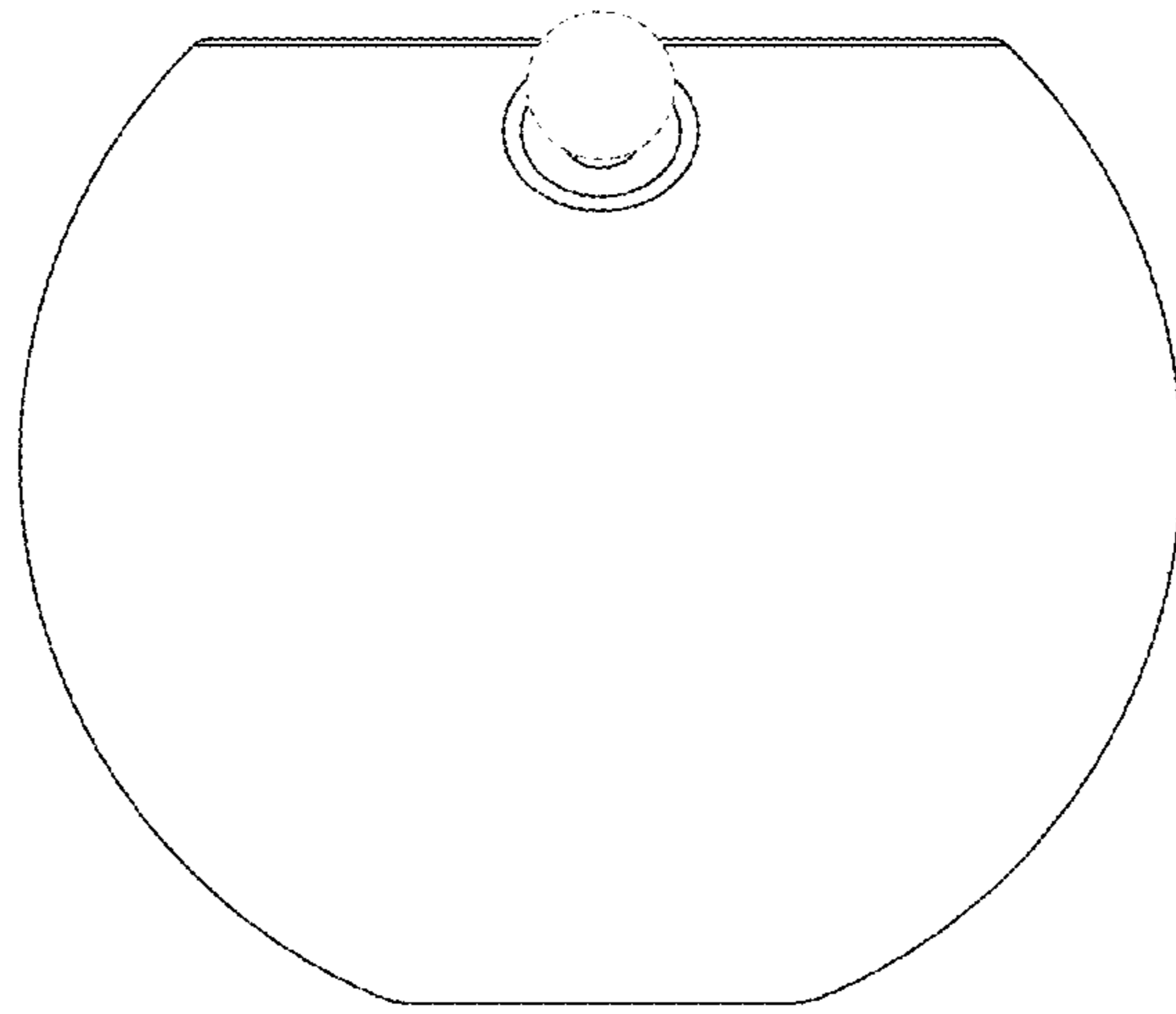


FIG.13

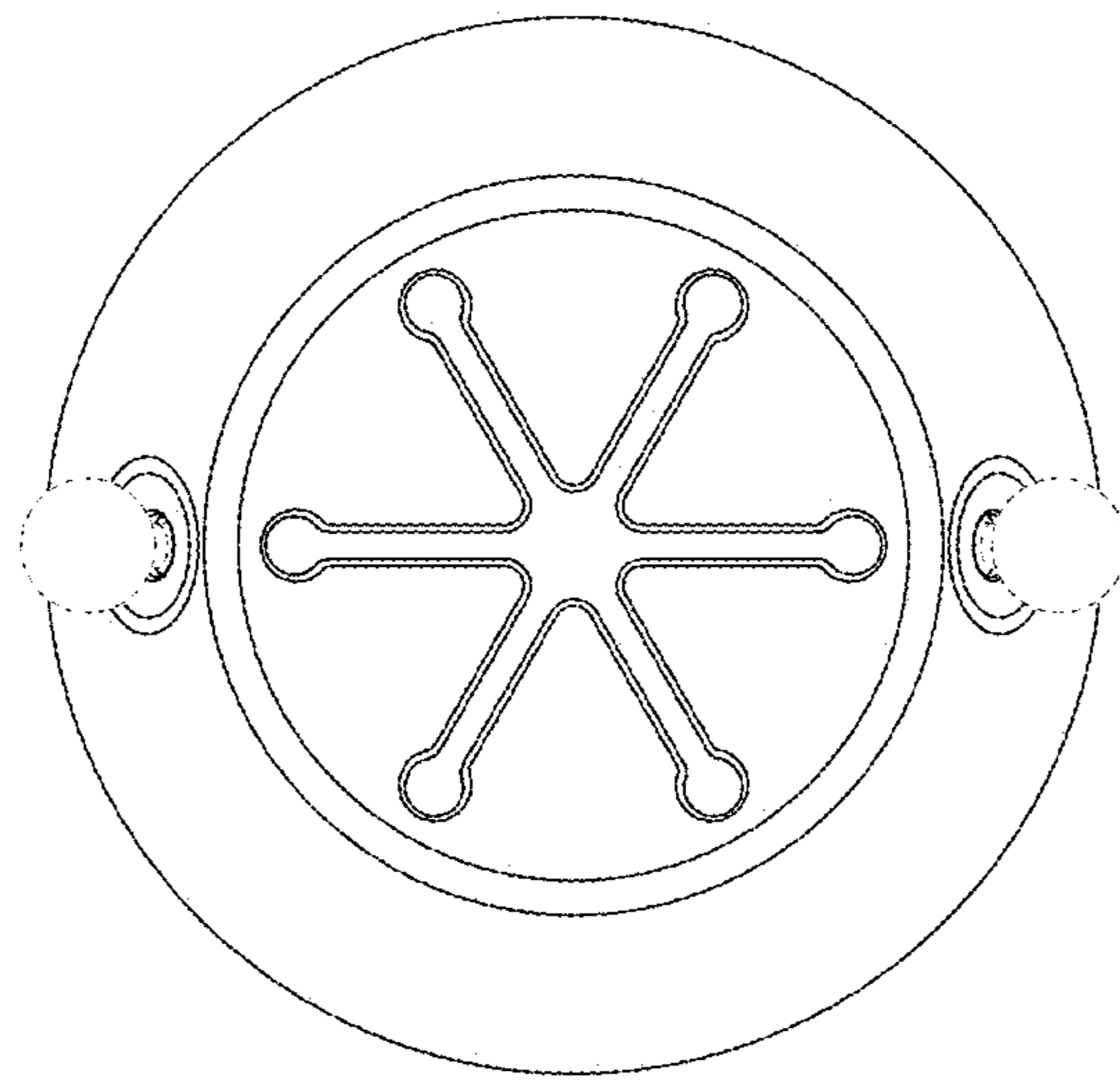


FIG.14

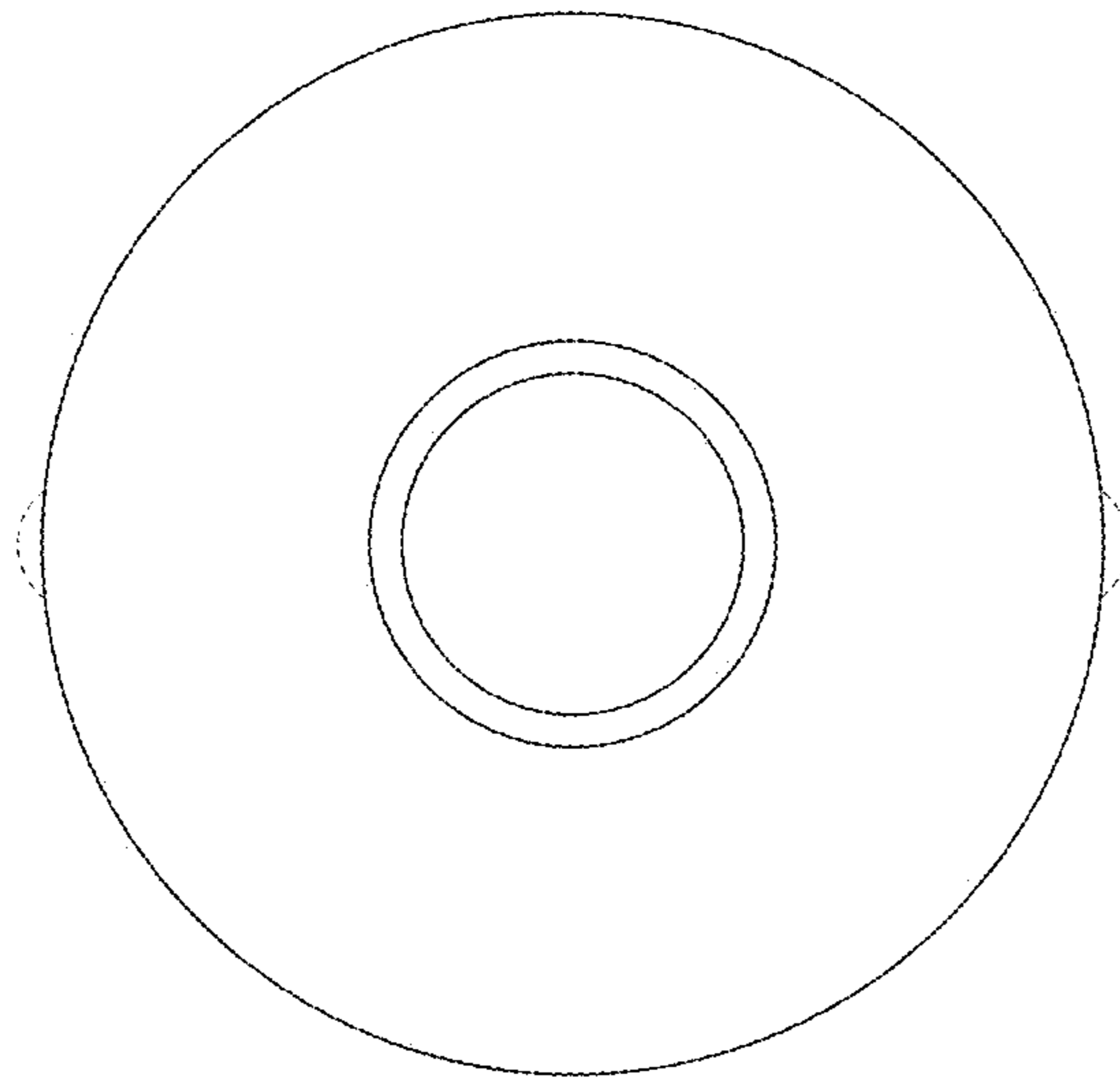


FIG.15

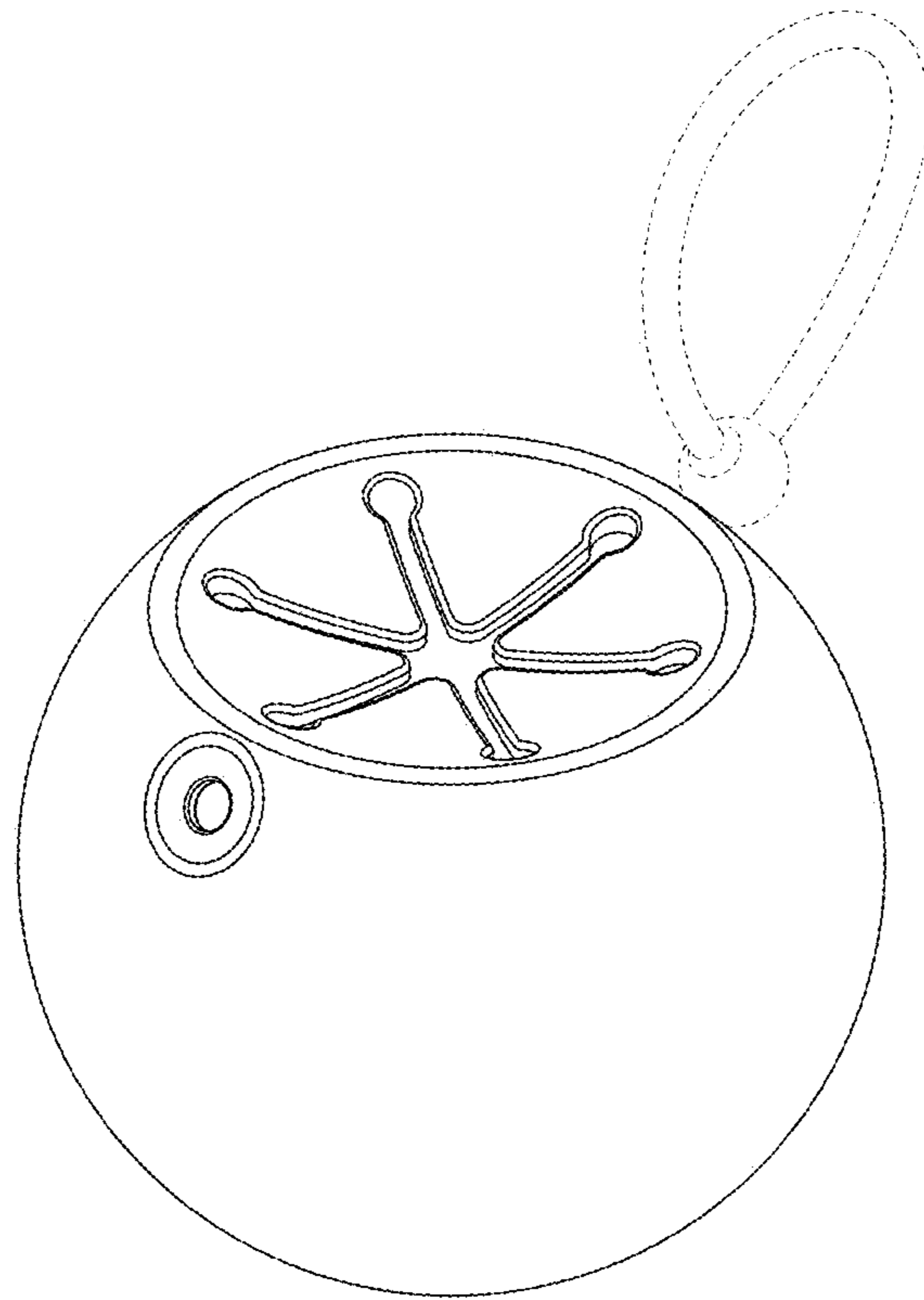


FIG.16

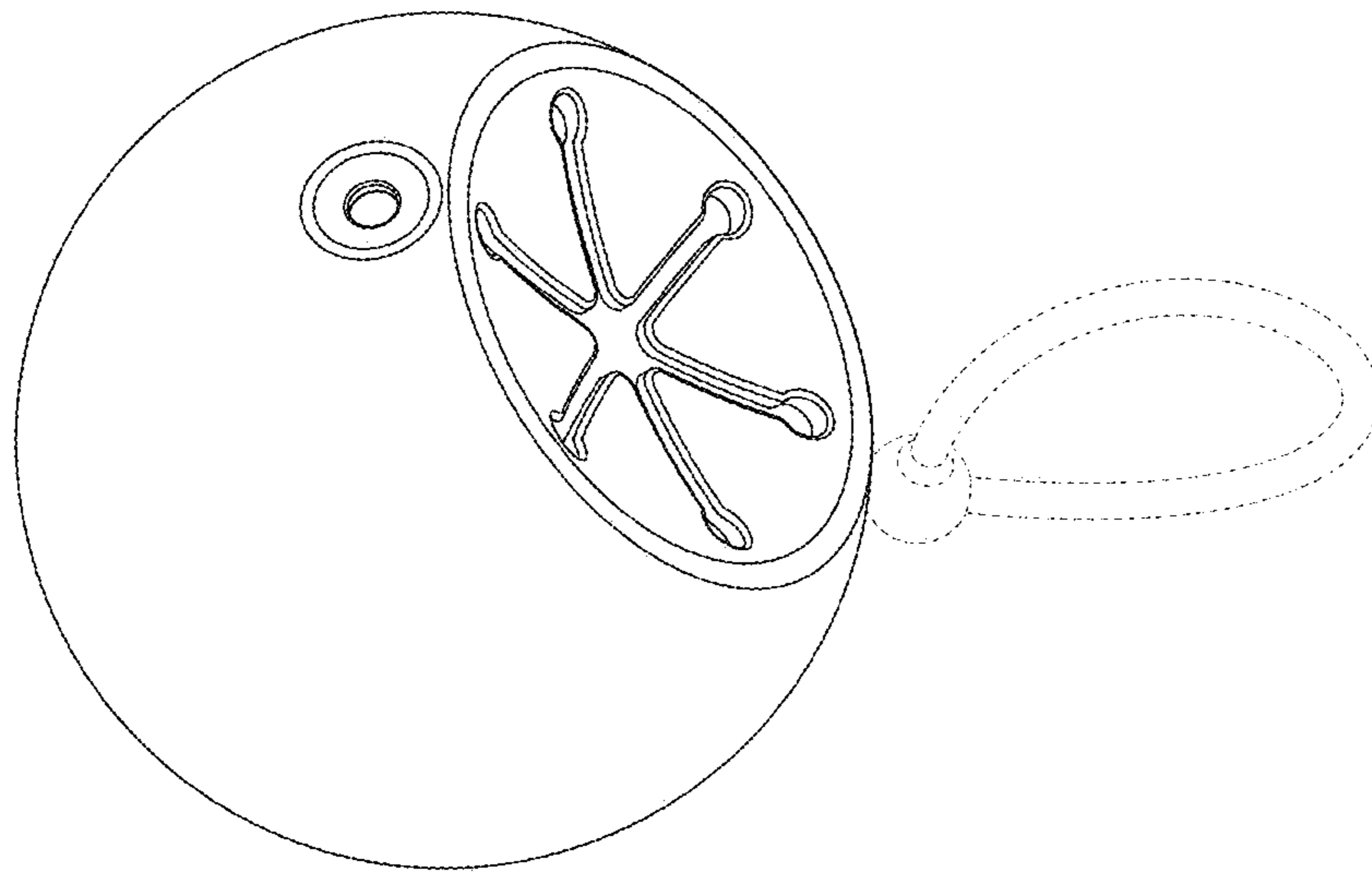


FIG.17

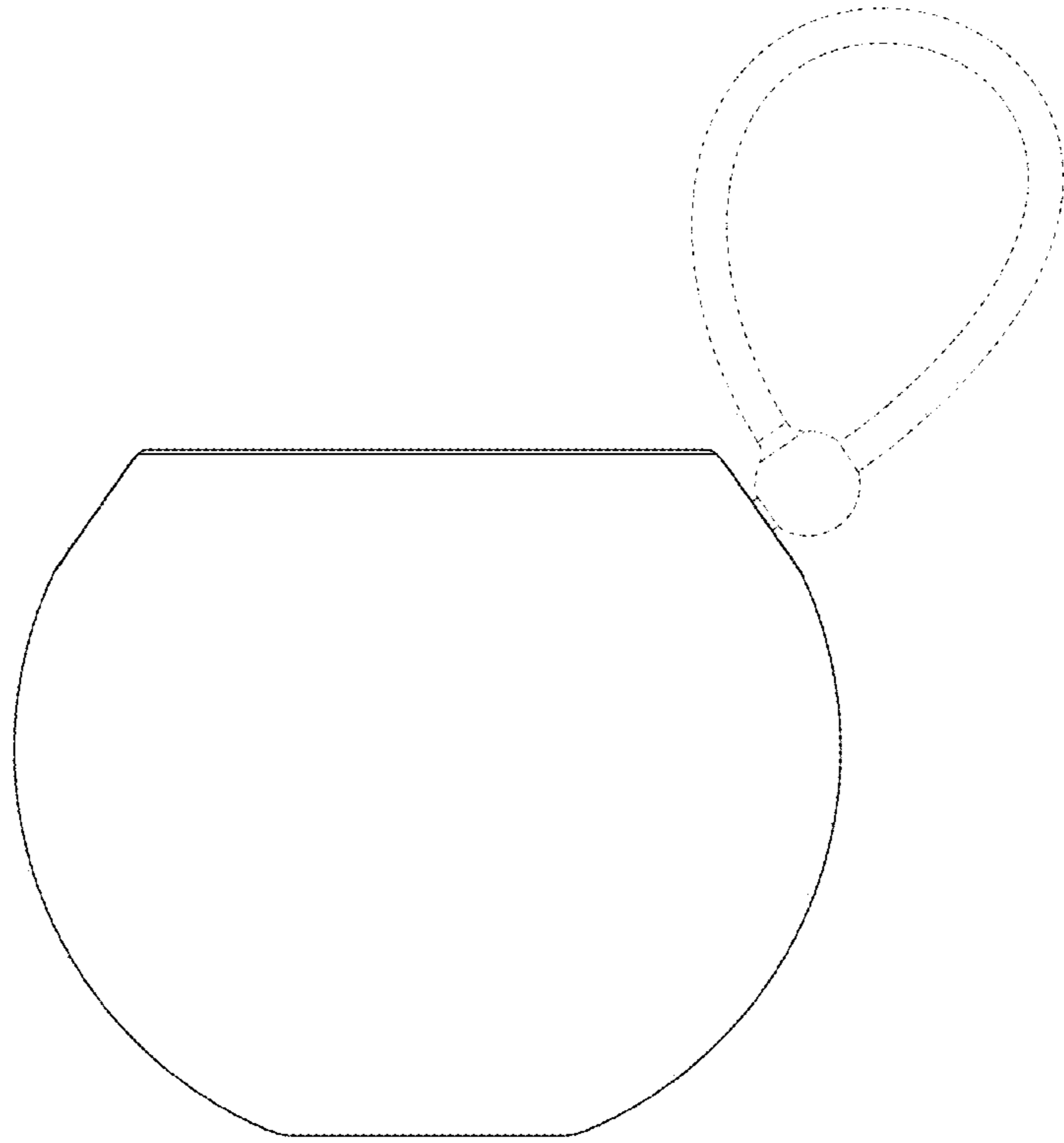


FIG.18

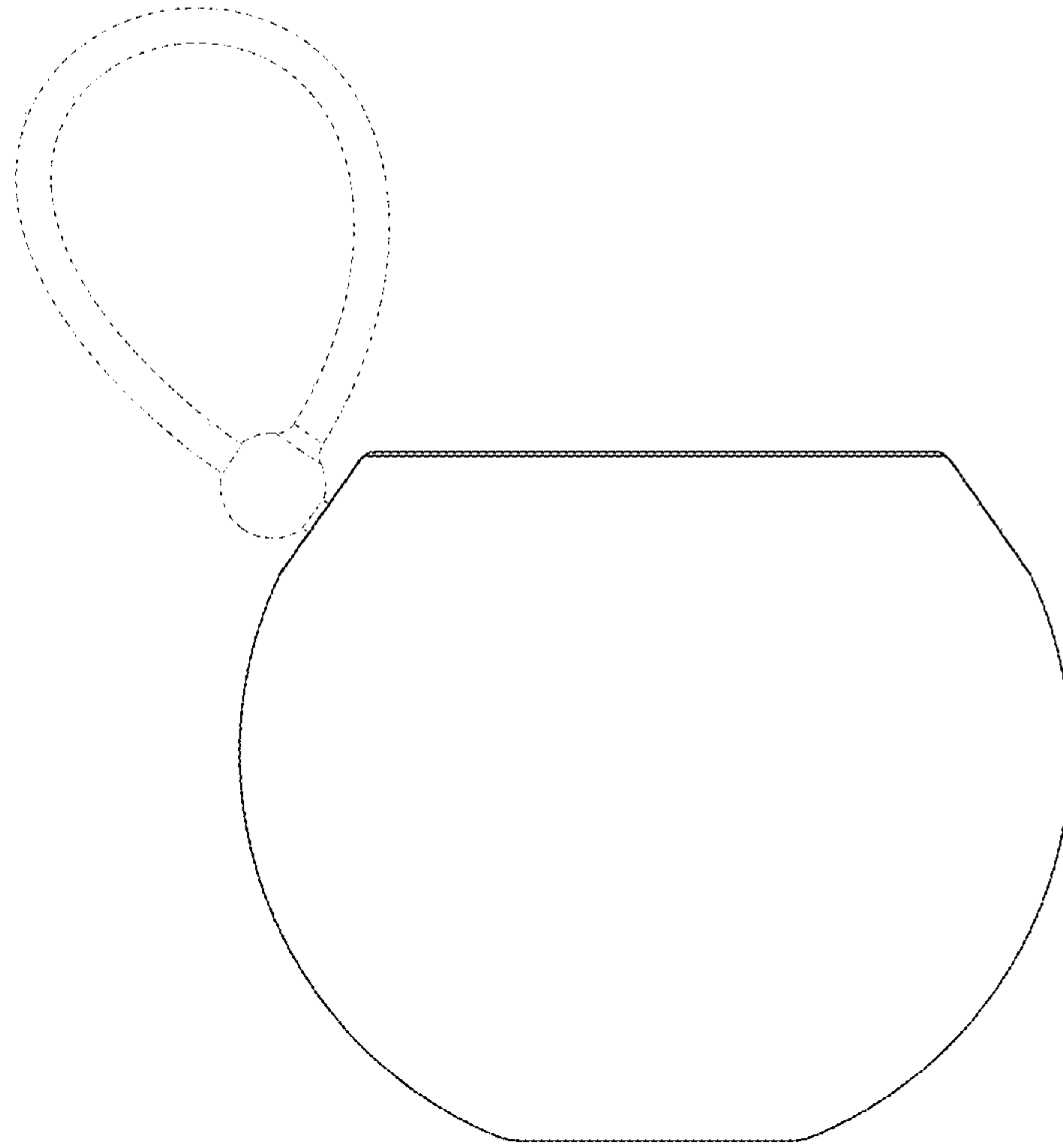


FIG.19

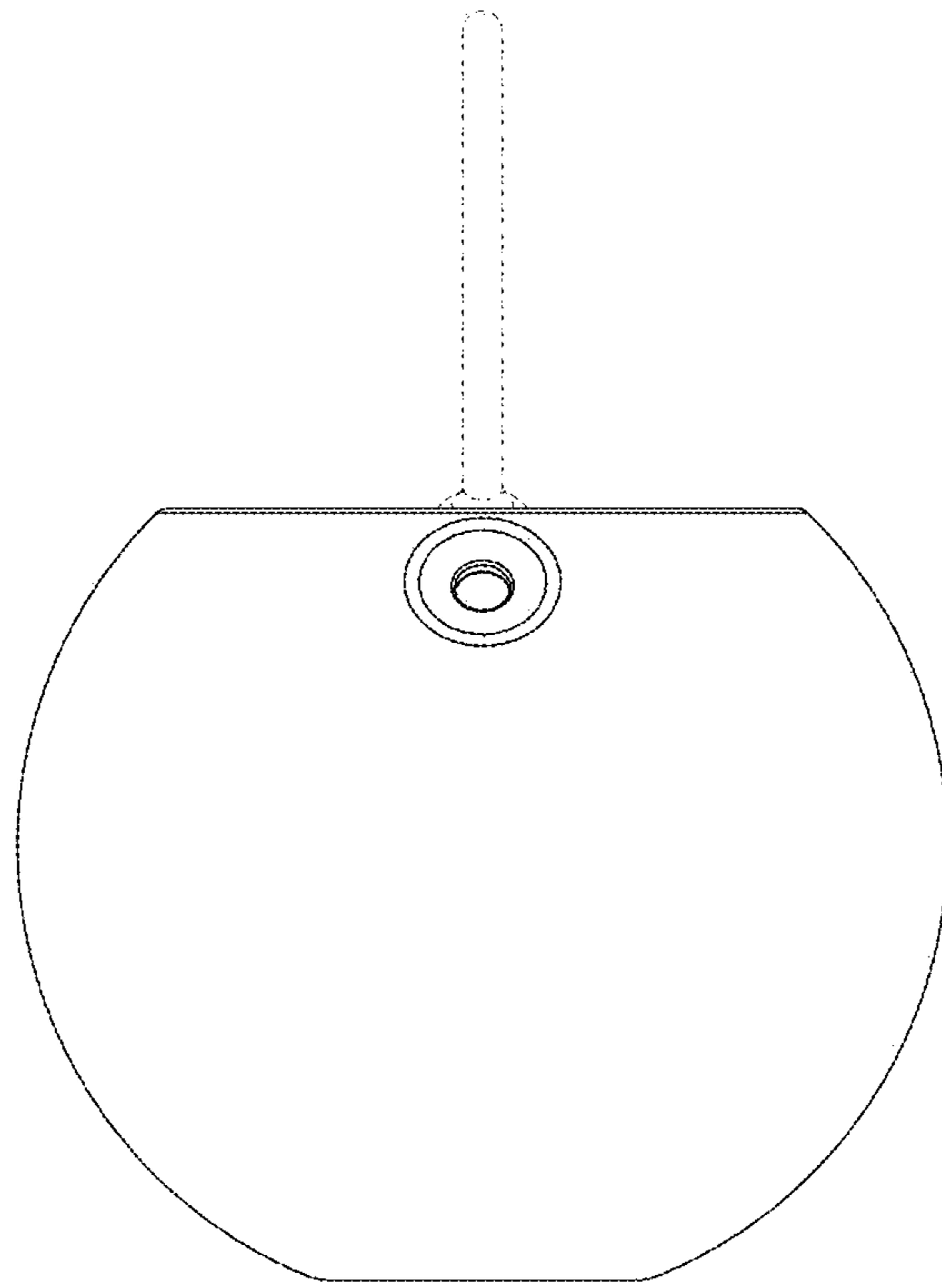


FIG.20

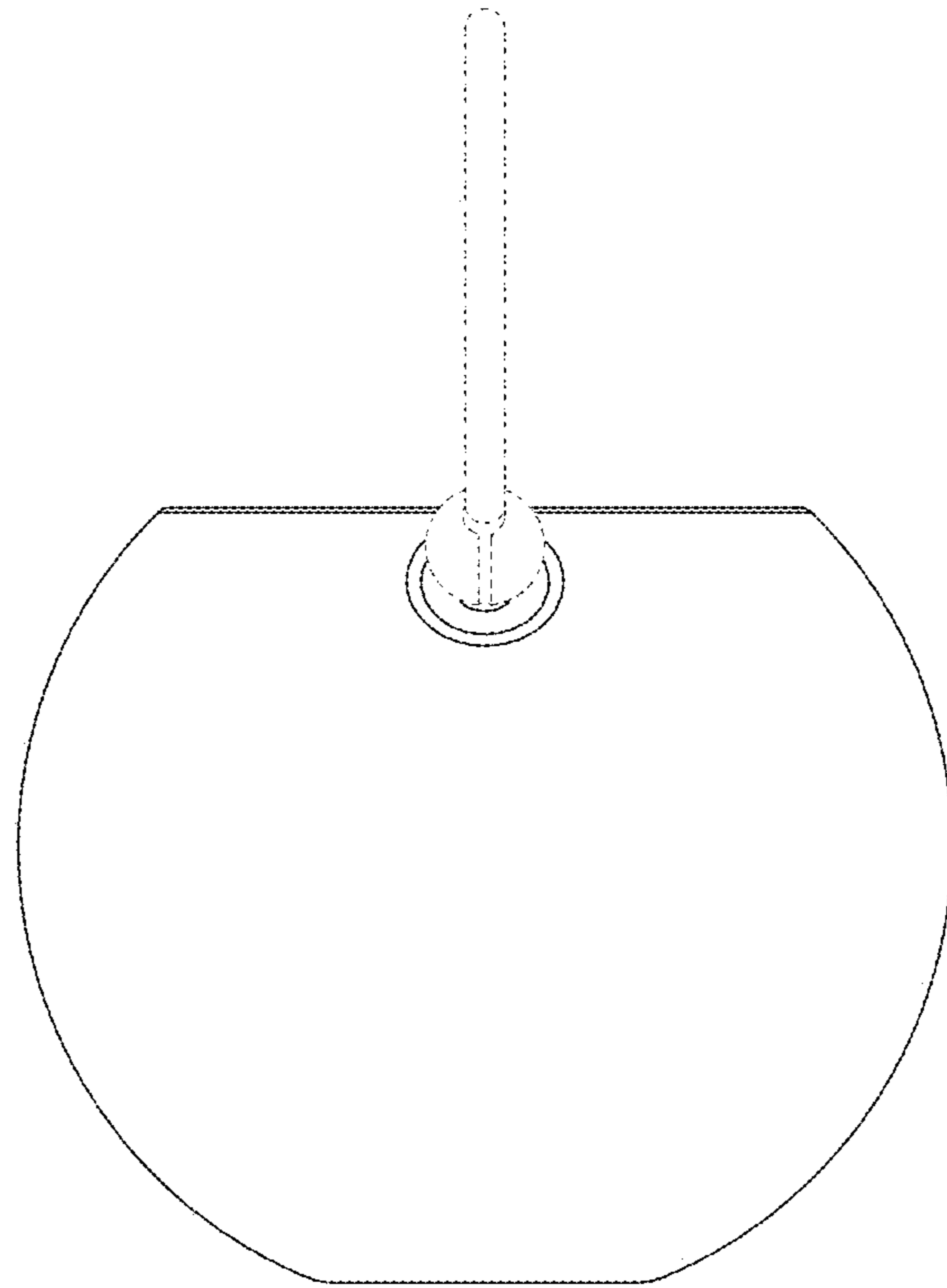


FIG.21

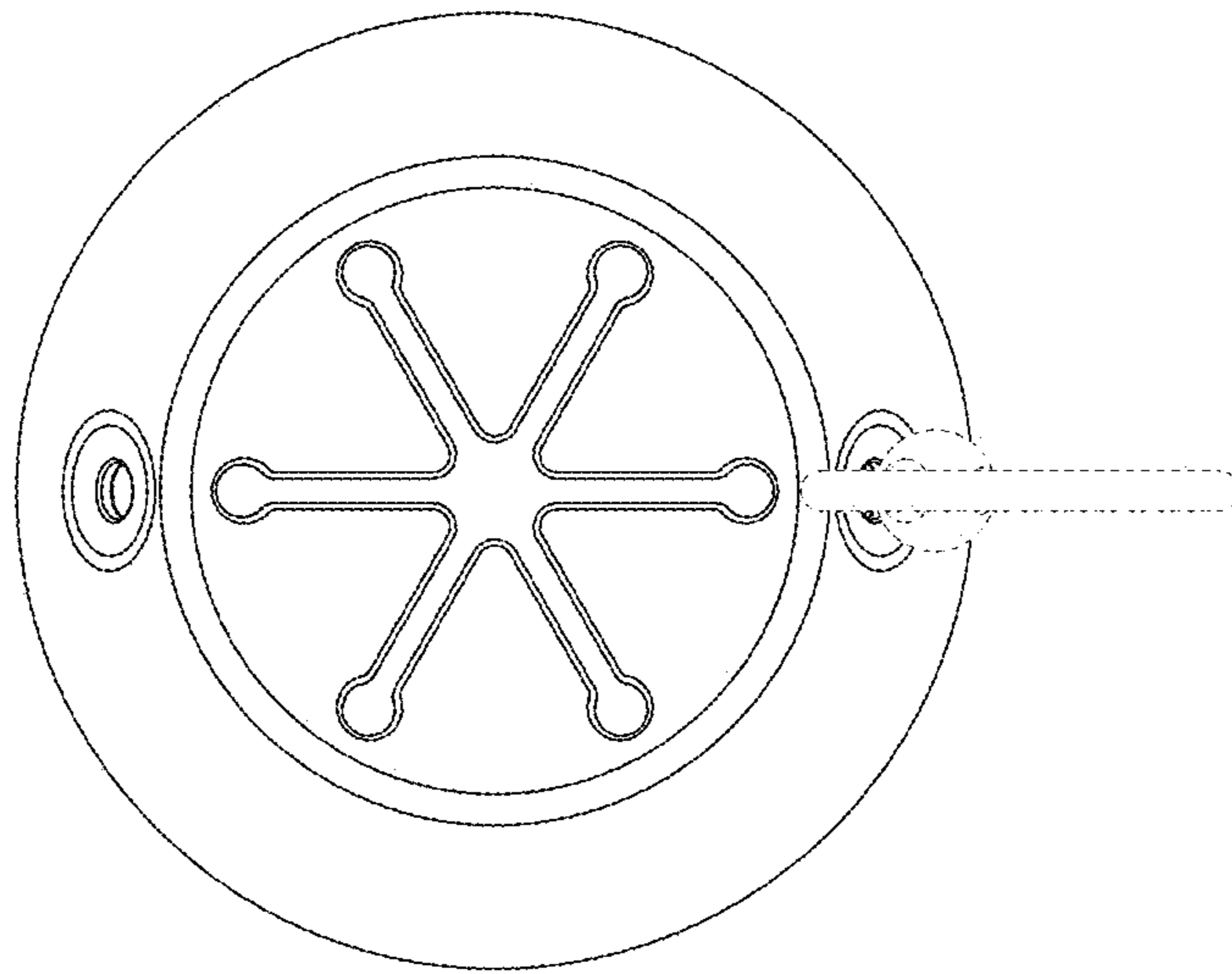


FIG.22

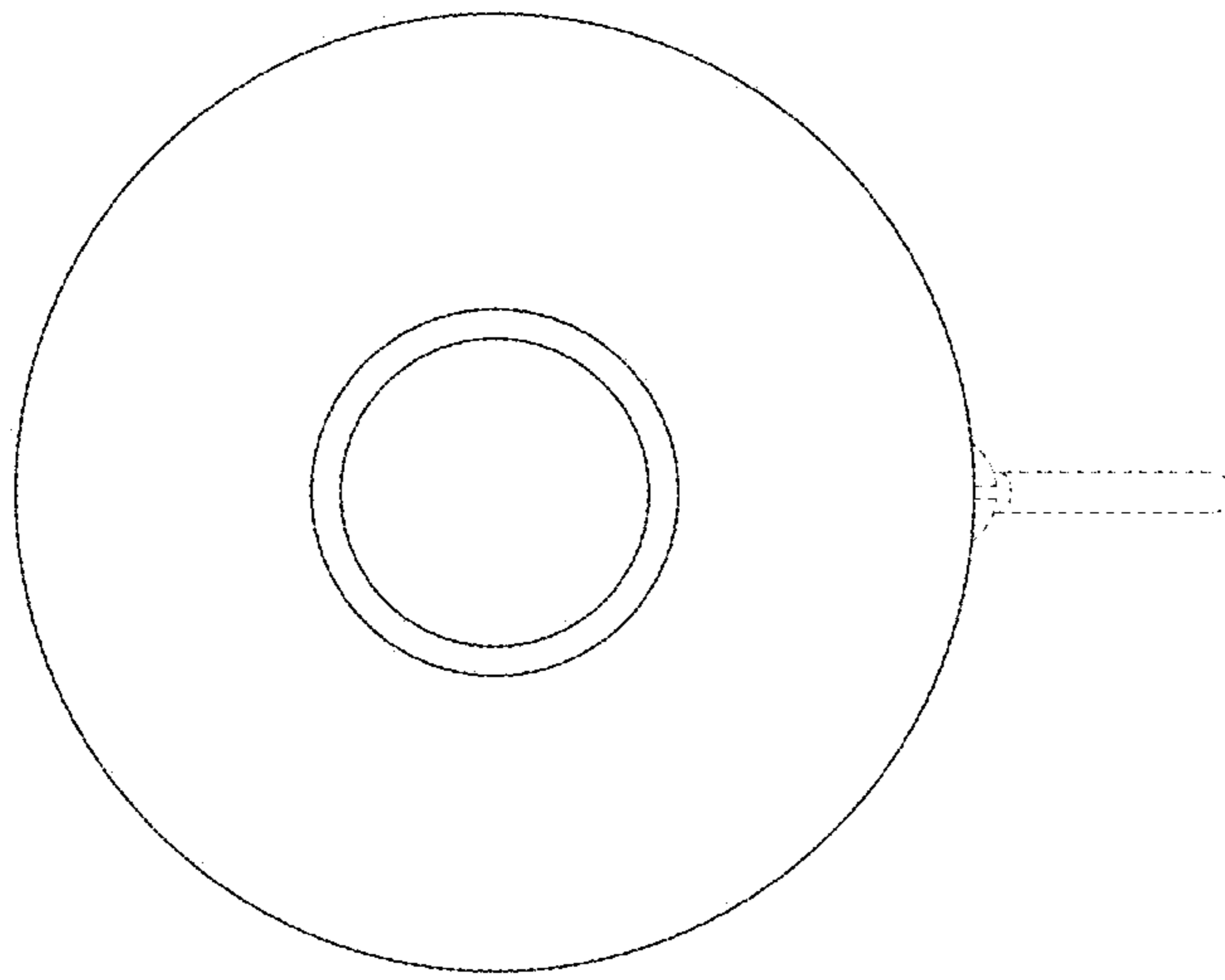


FIG.23

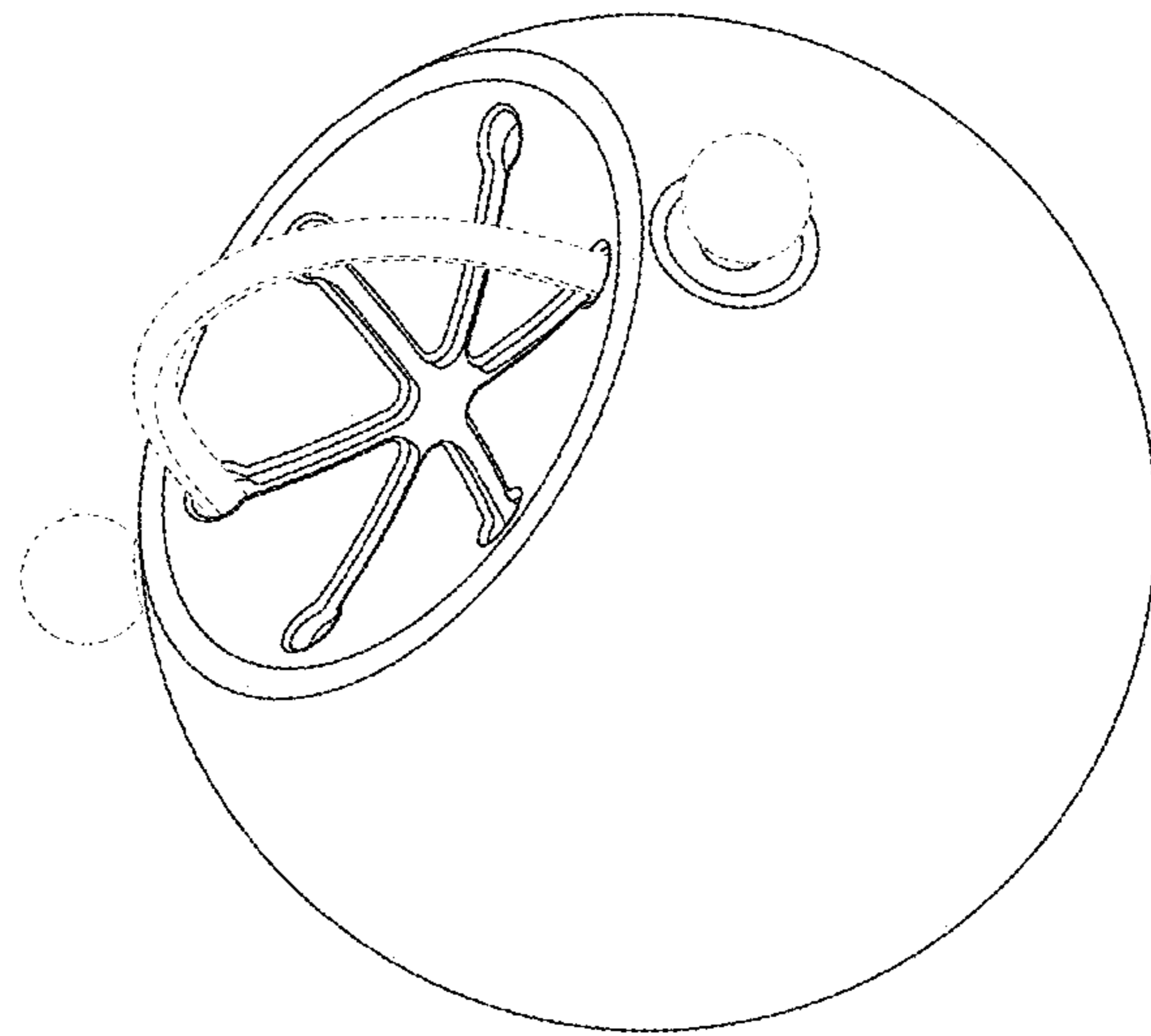


FIG.24

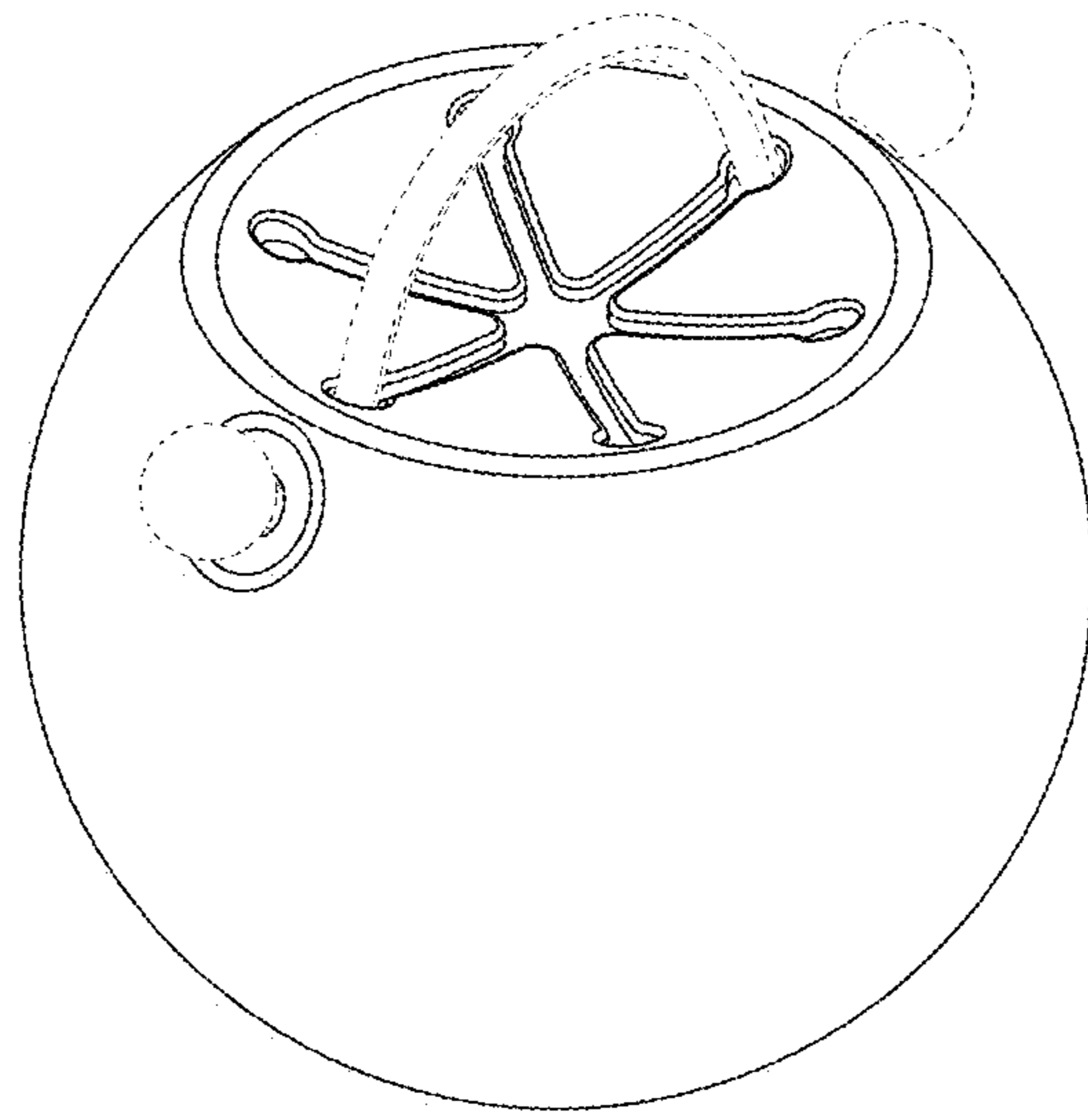


FIG.25

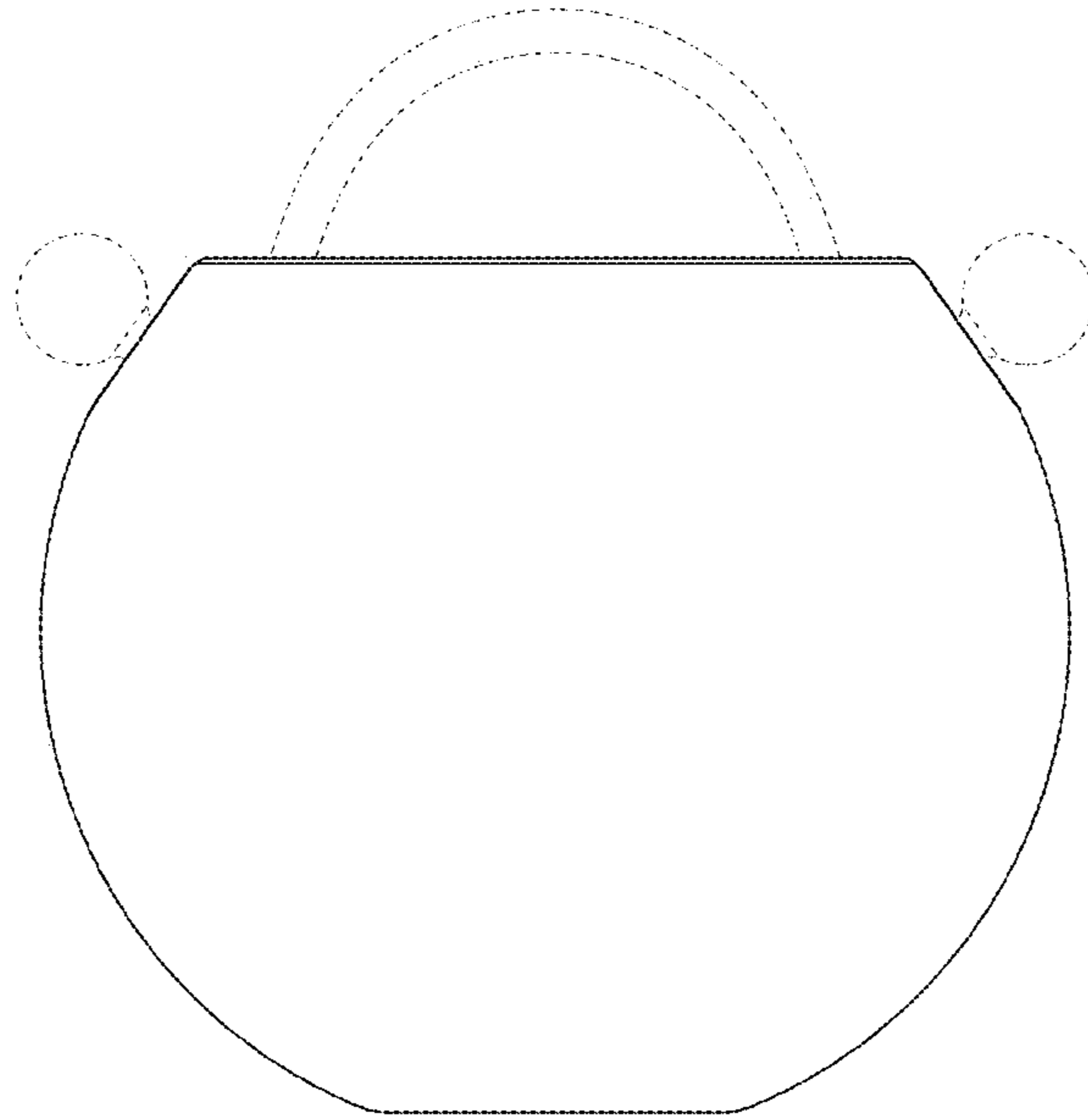


FIG.26

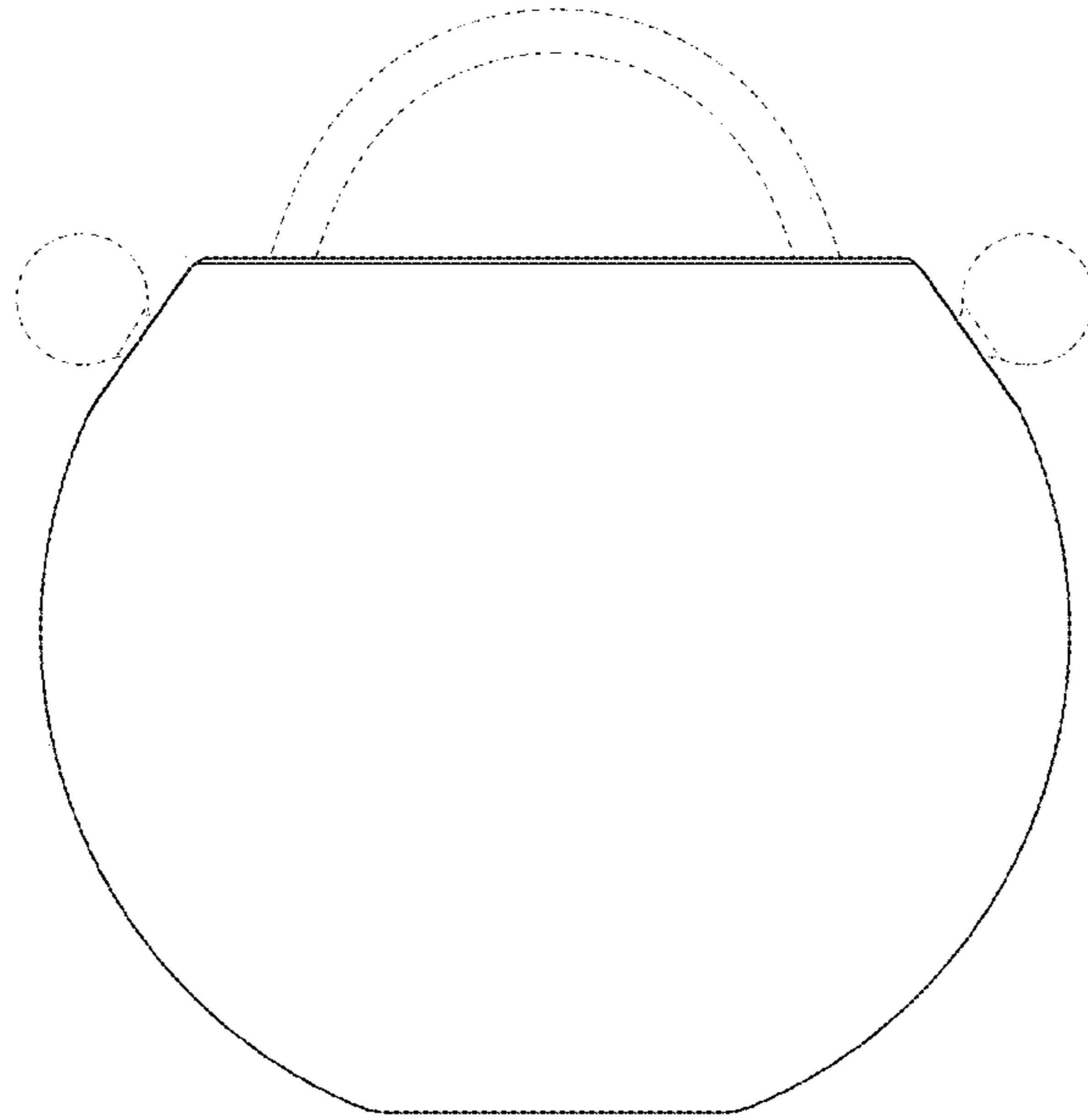


FIG.27

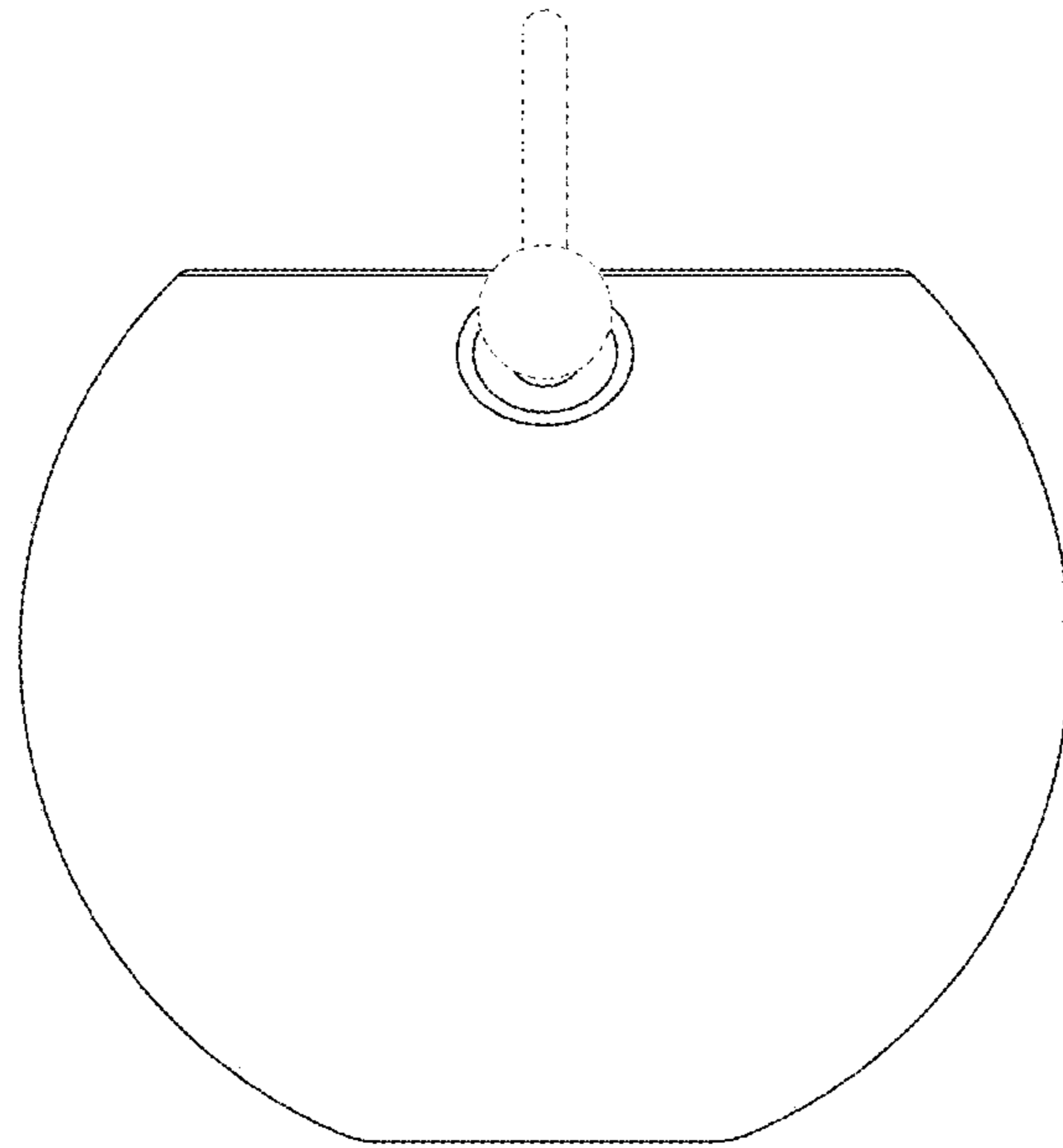


FIG.28

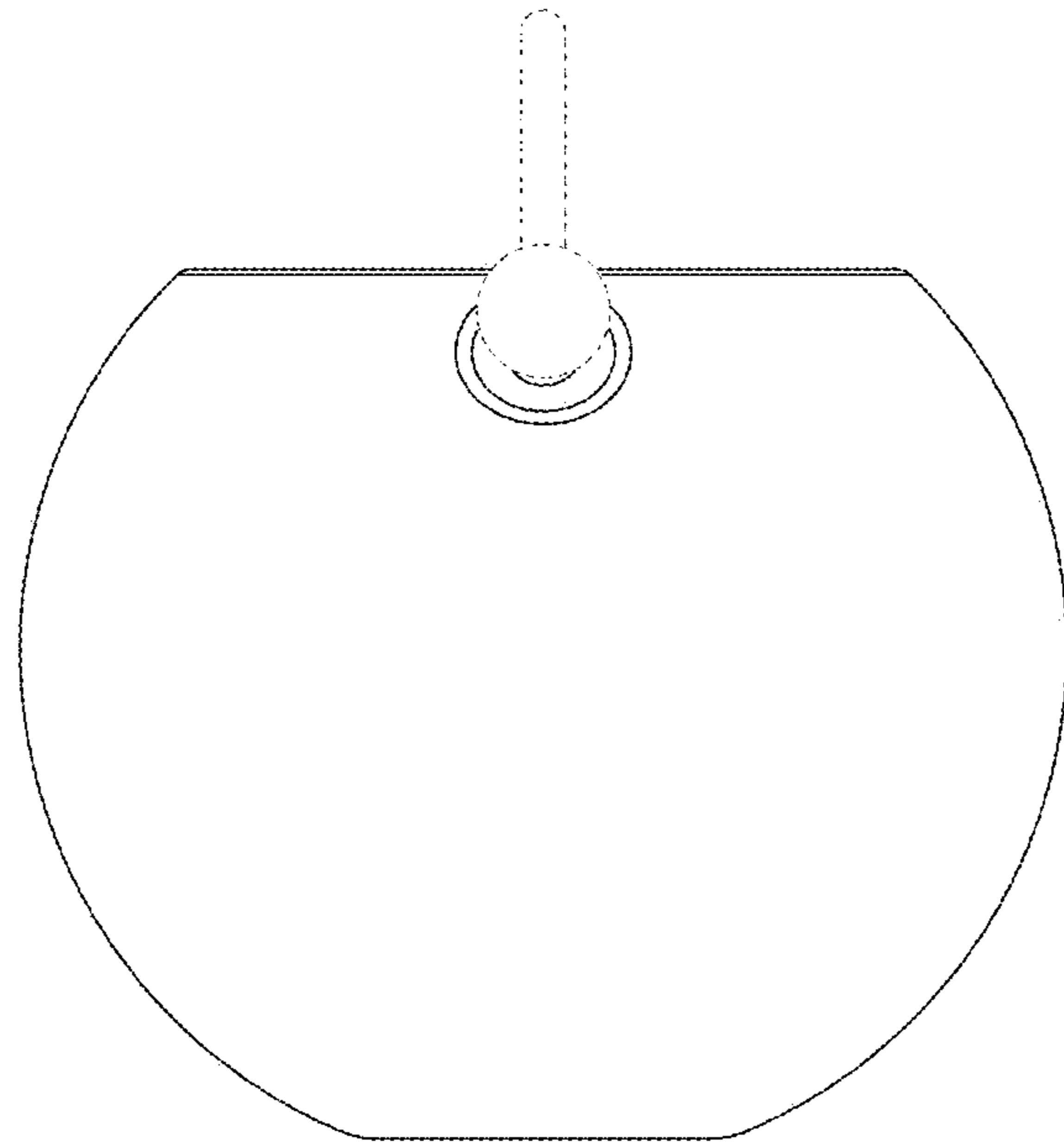


FIG.29

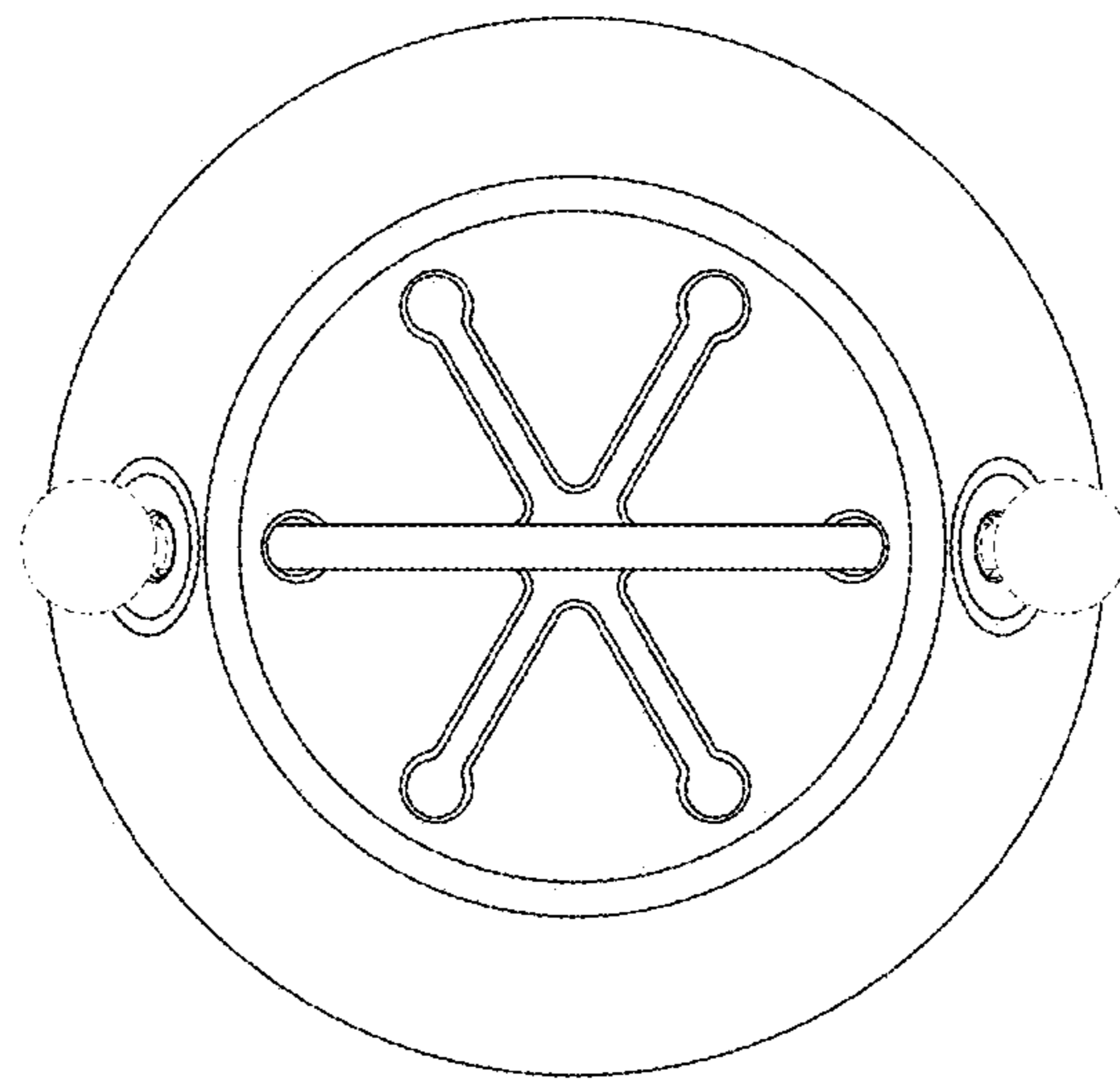


FIG.30

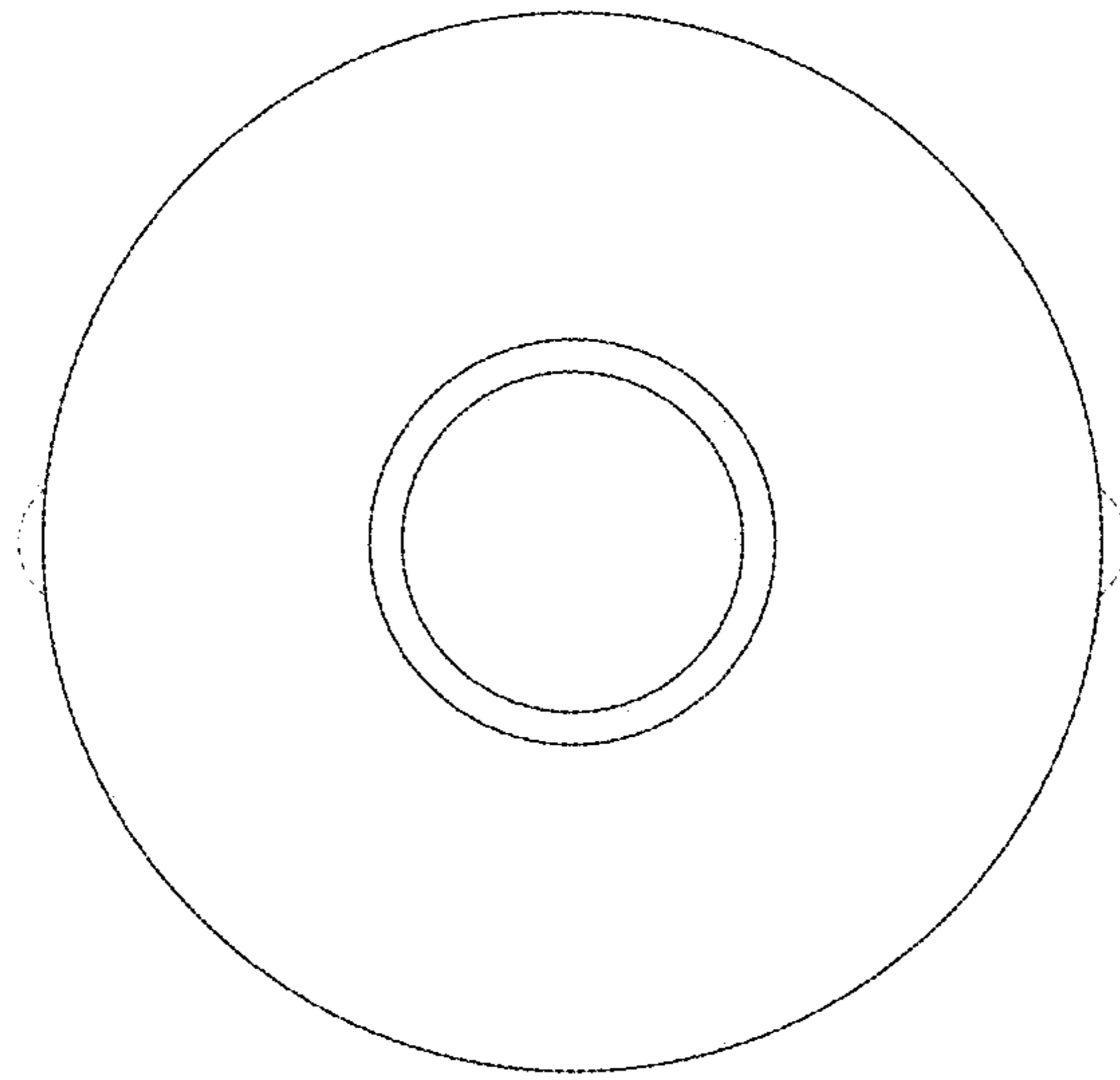


FIG.31

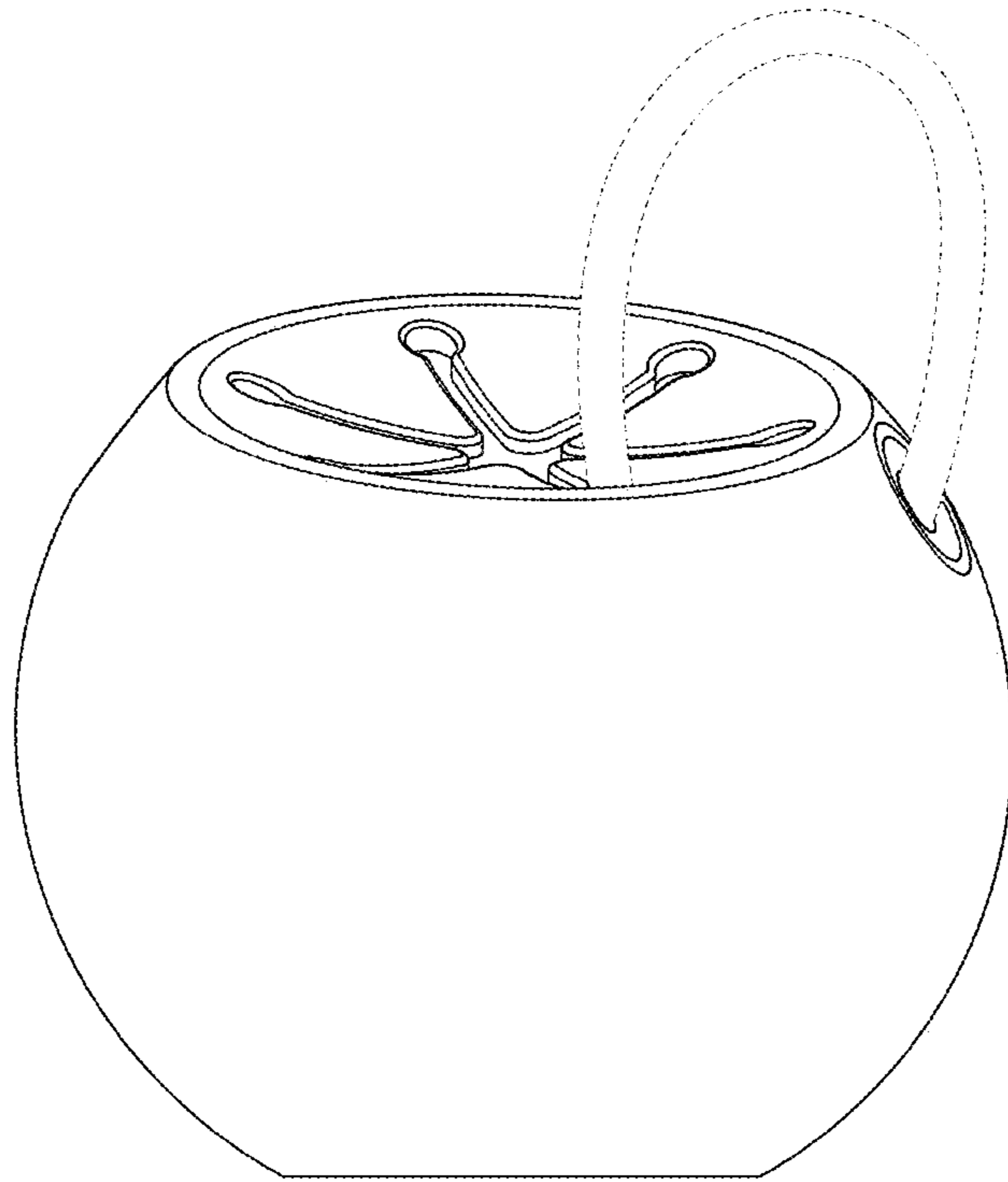


FIG.32

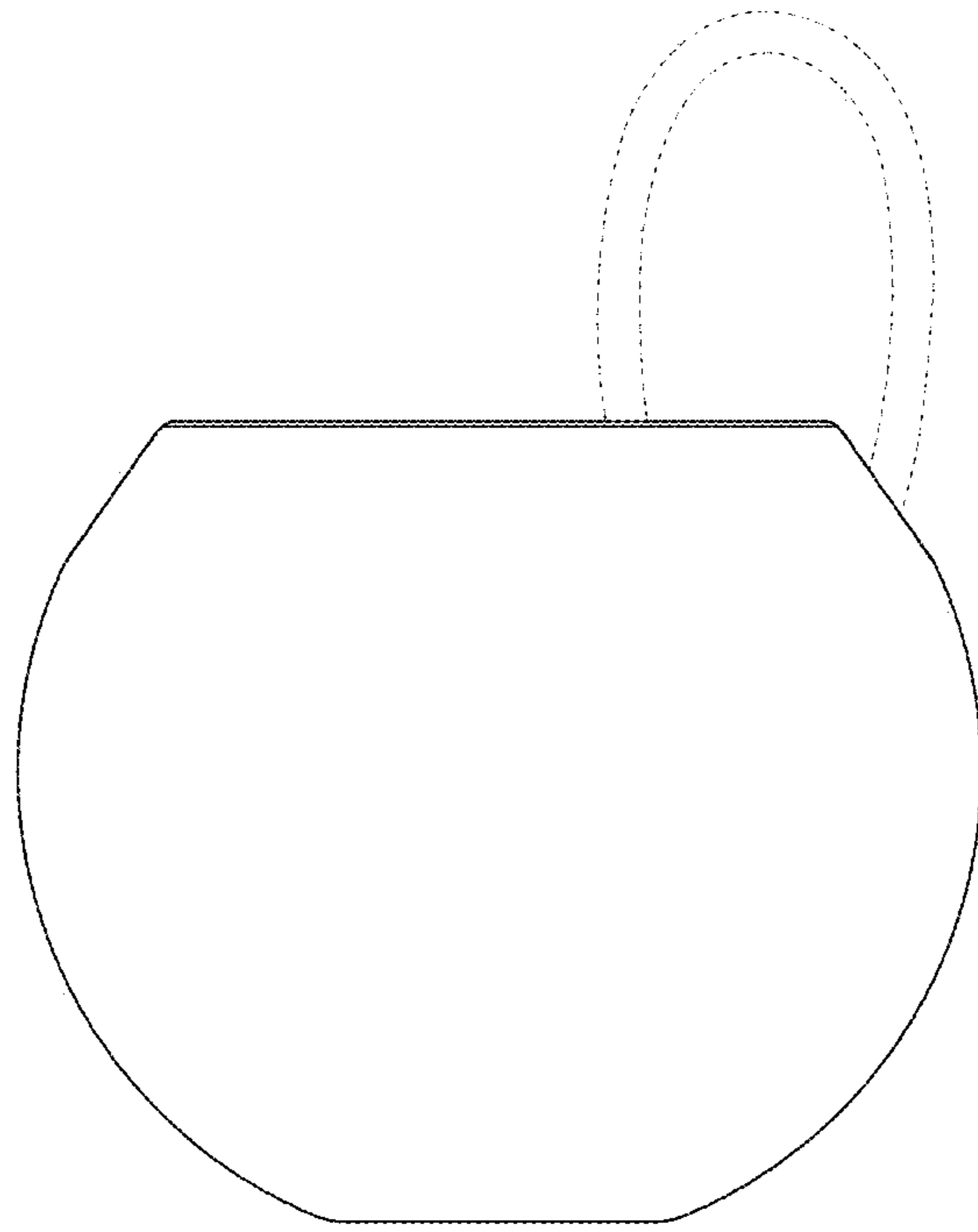


FIG.33

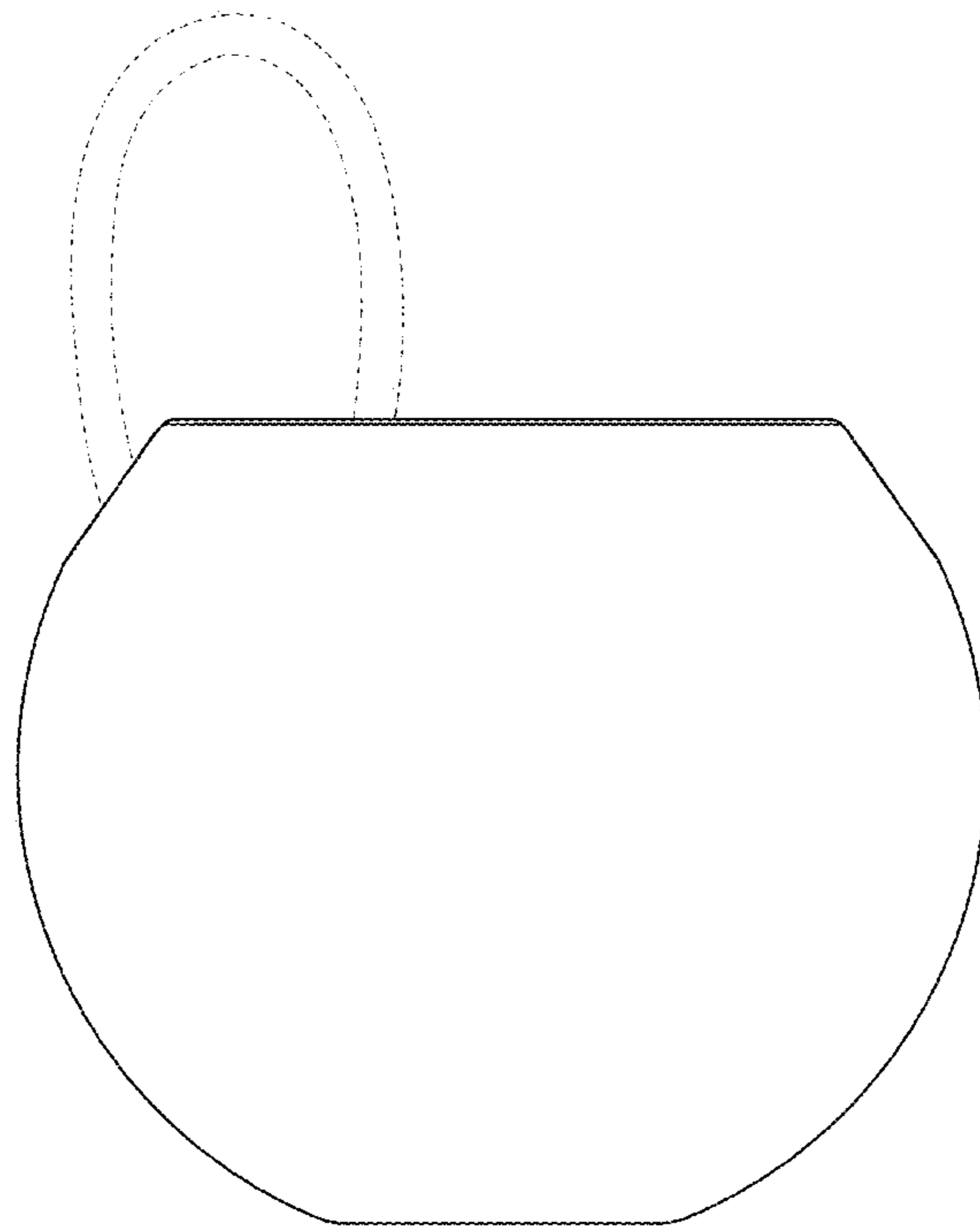


FIG.34

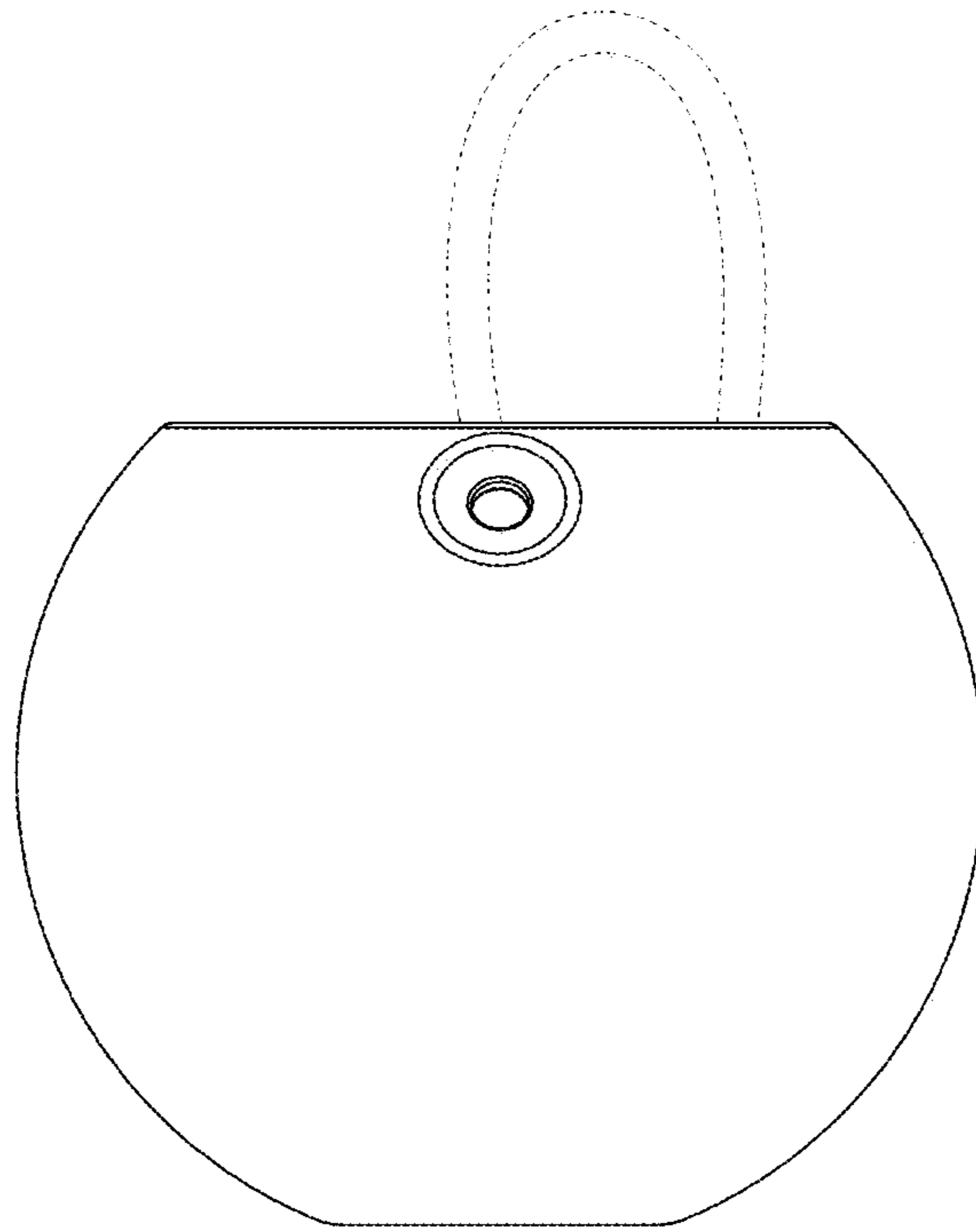


FIG.35

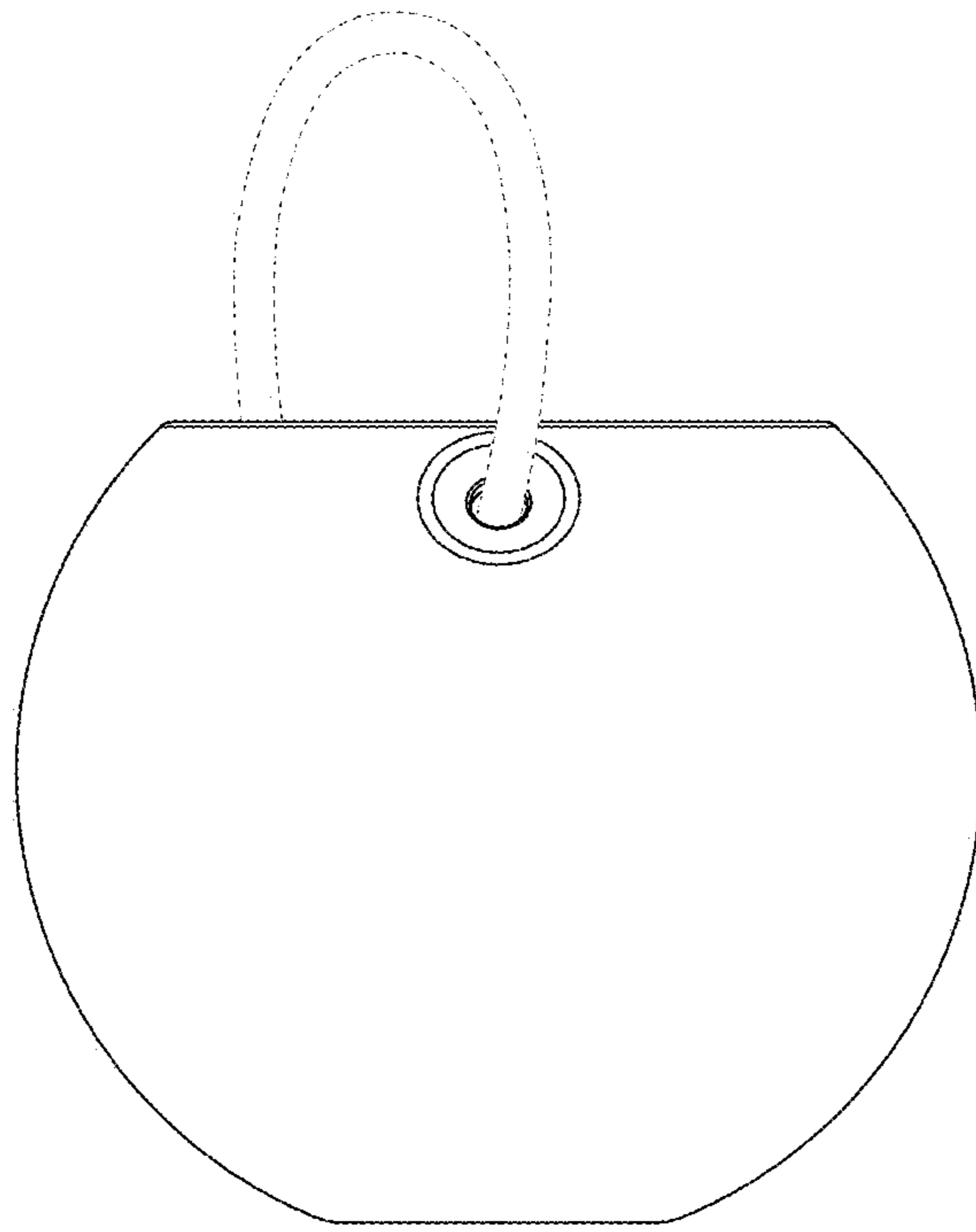


FIG.36

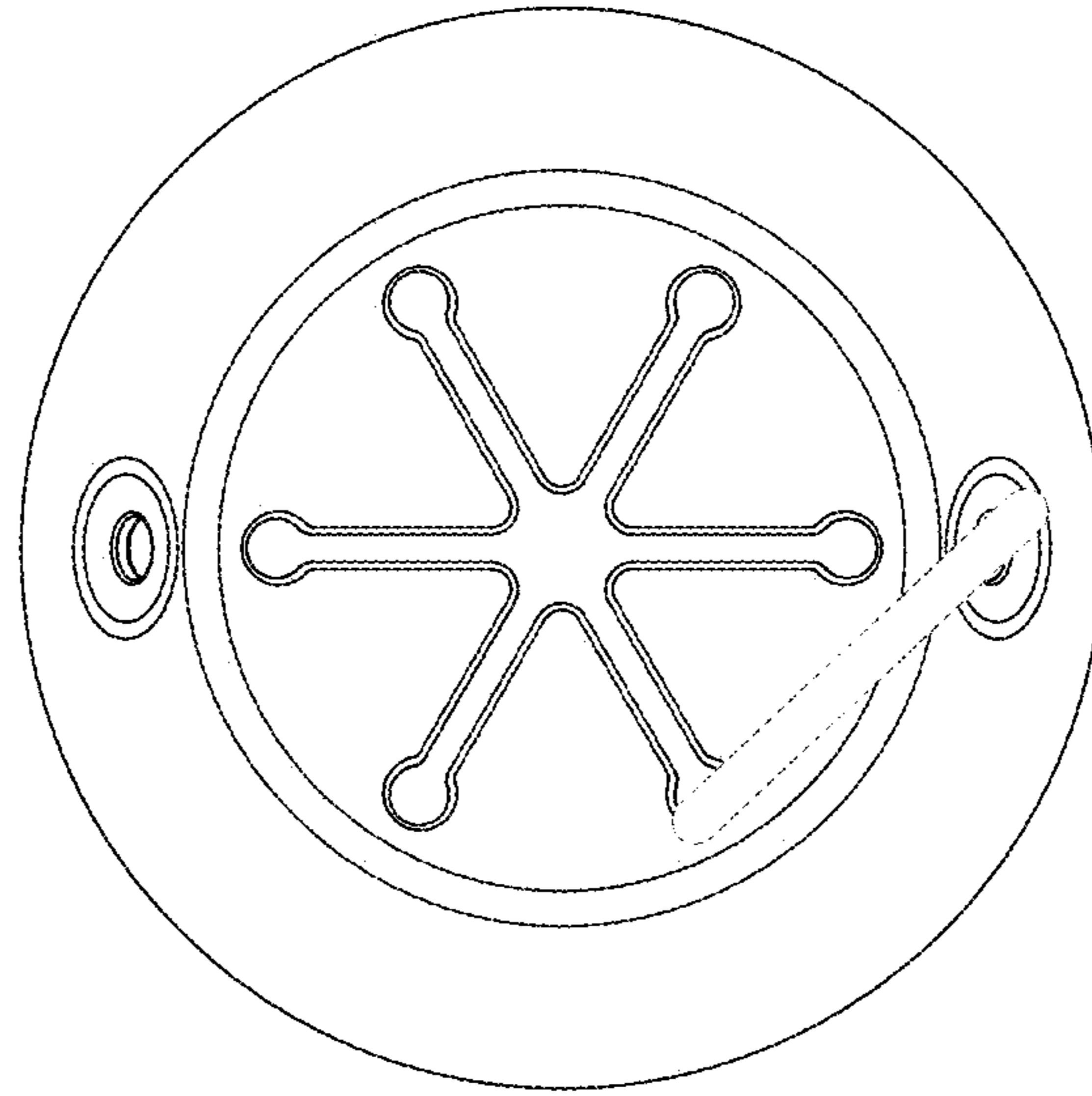


FIG.37

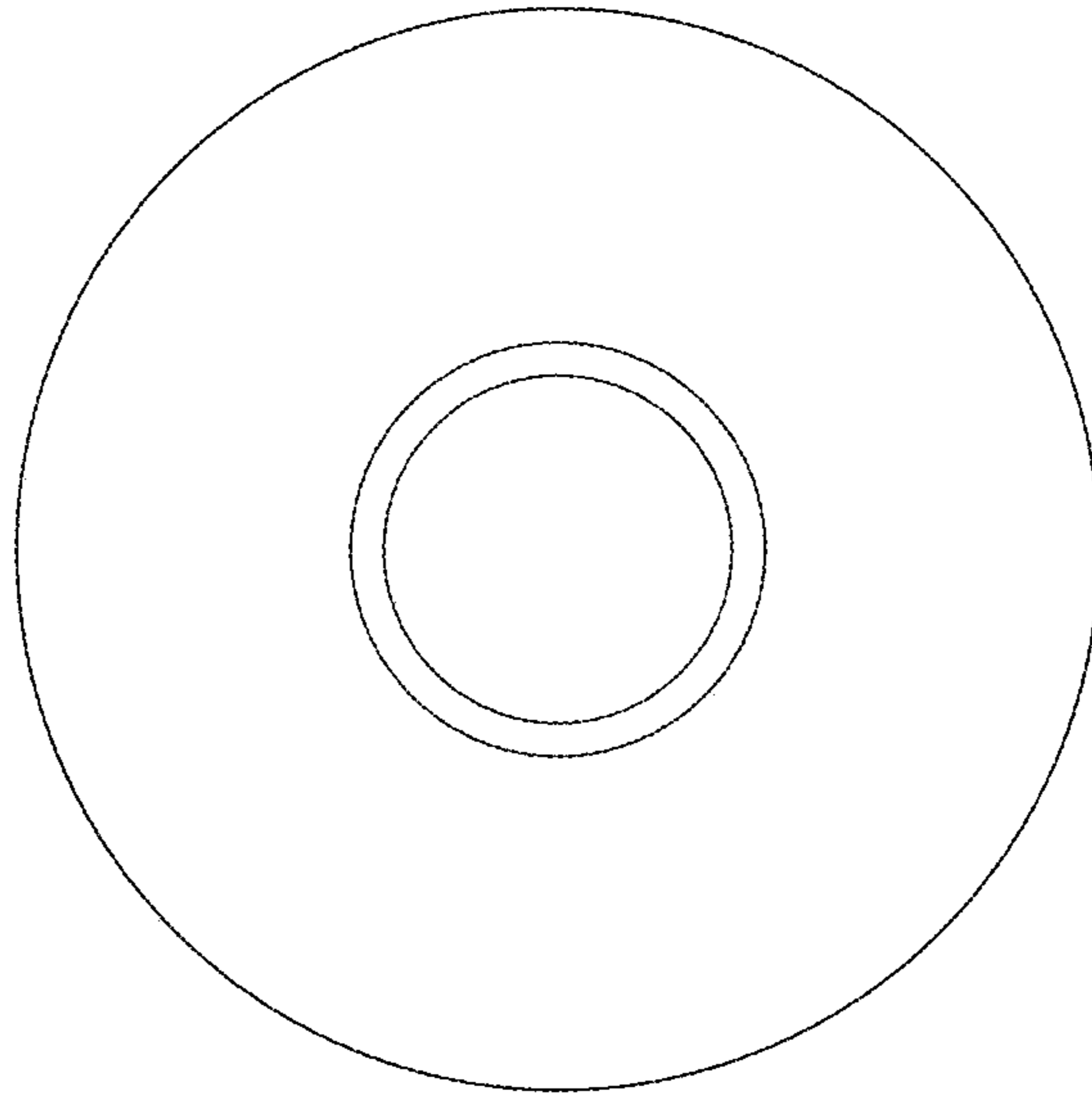


FIG.38

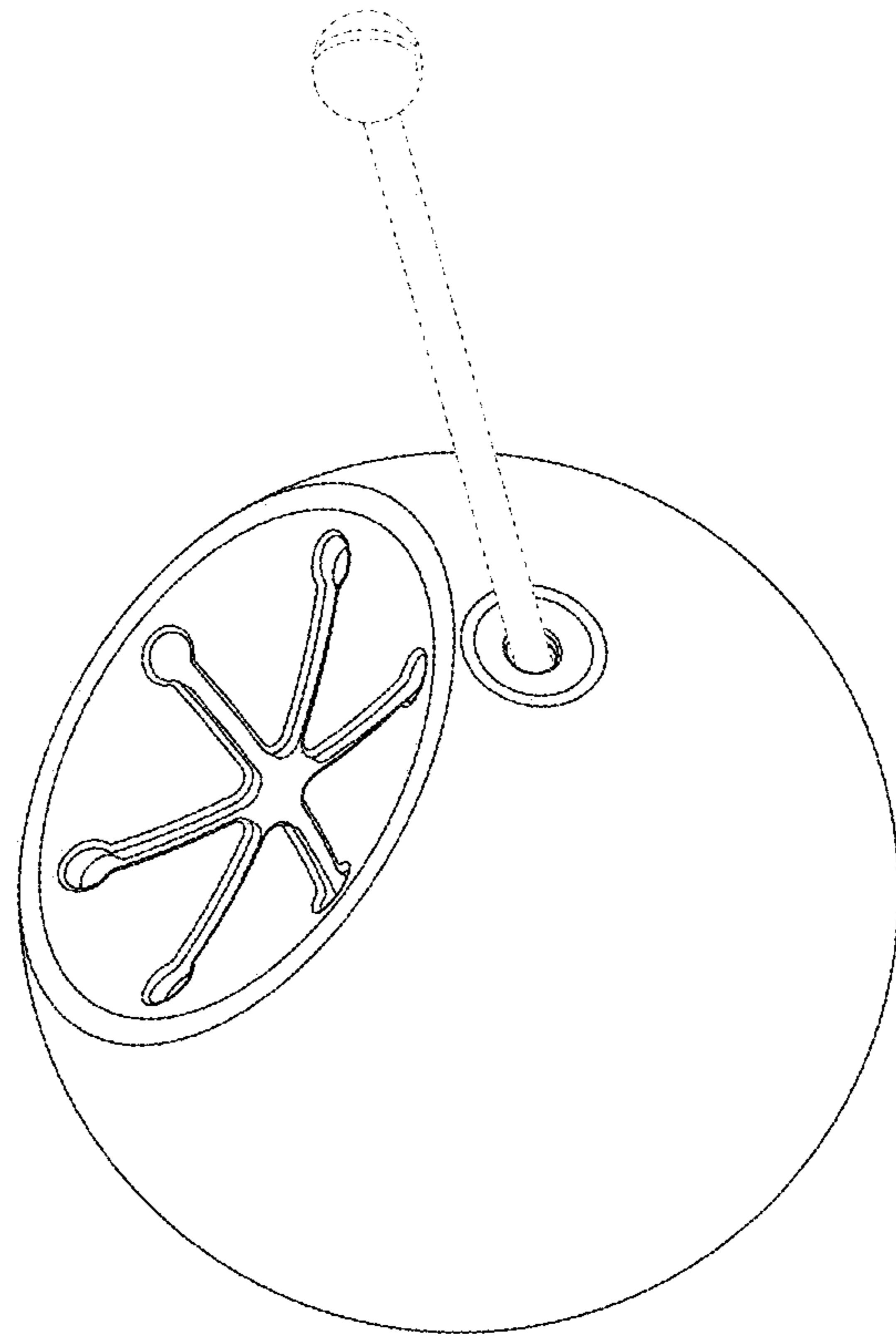


FIG.39

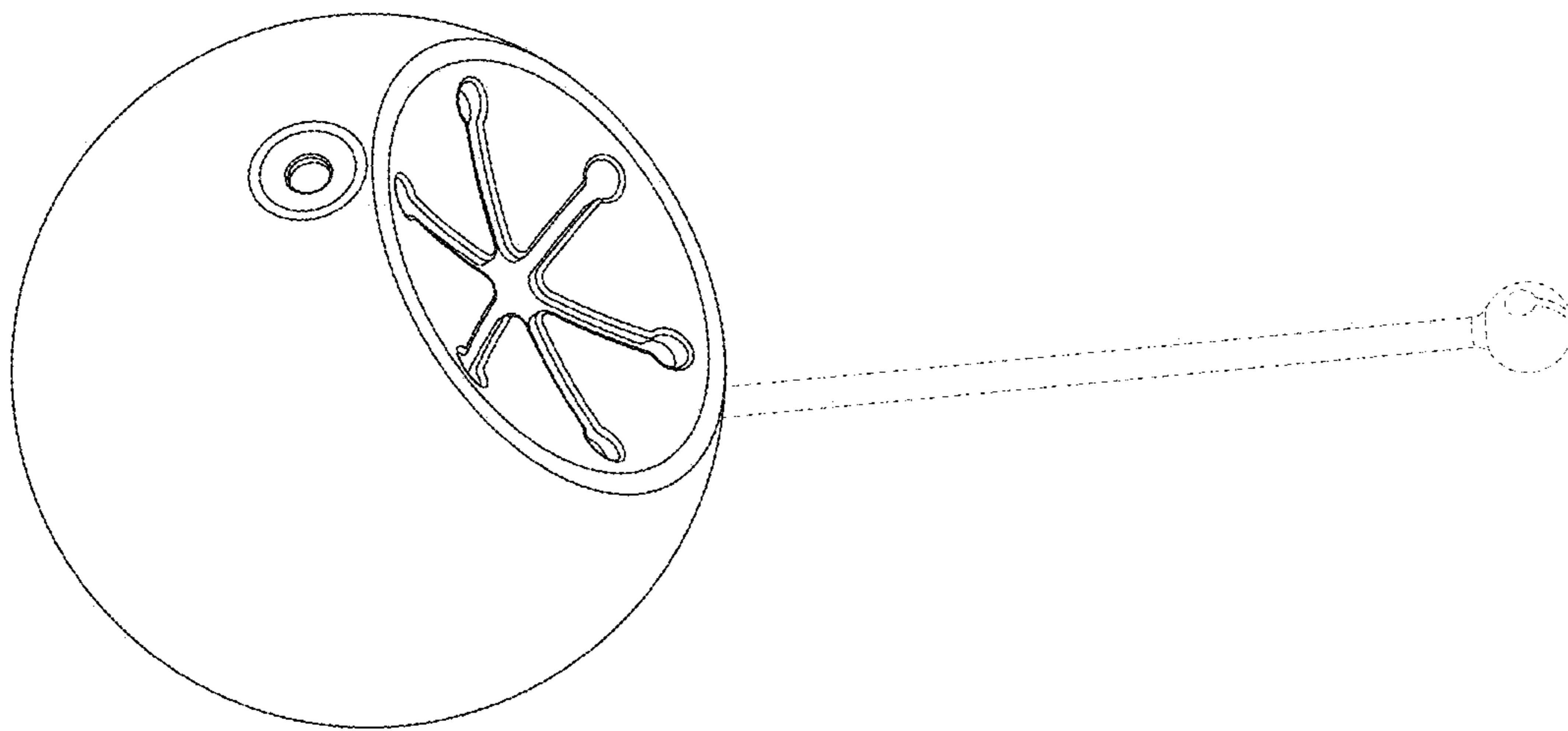


FIG.40

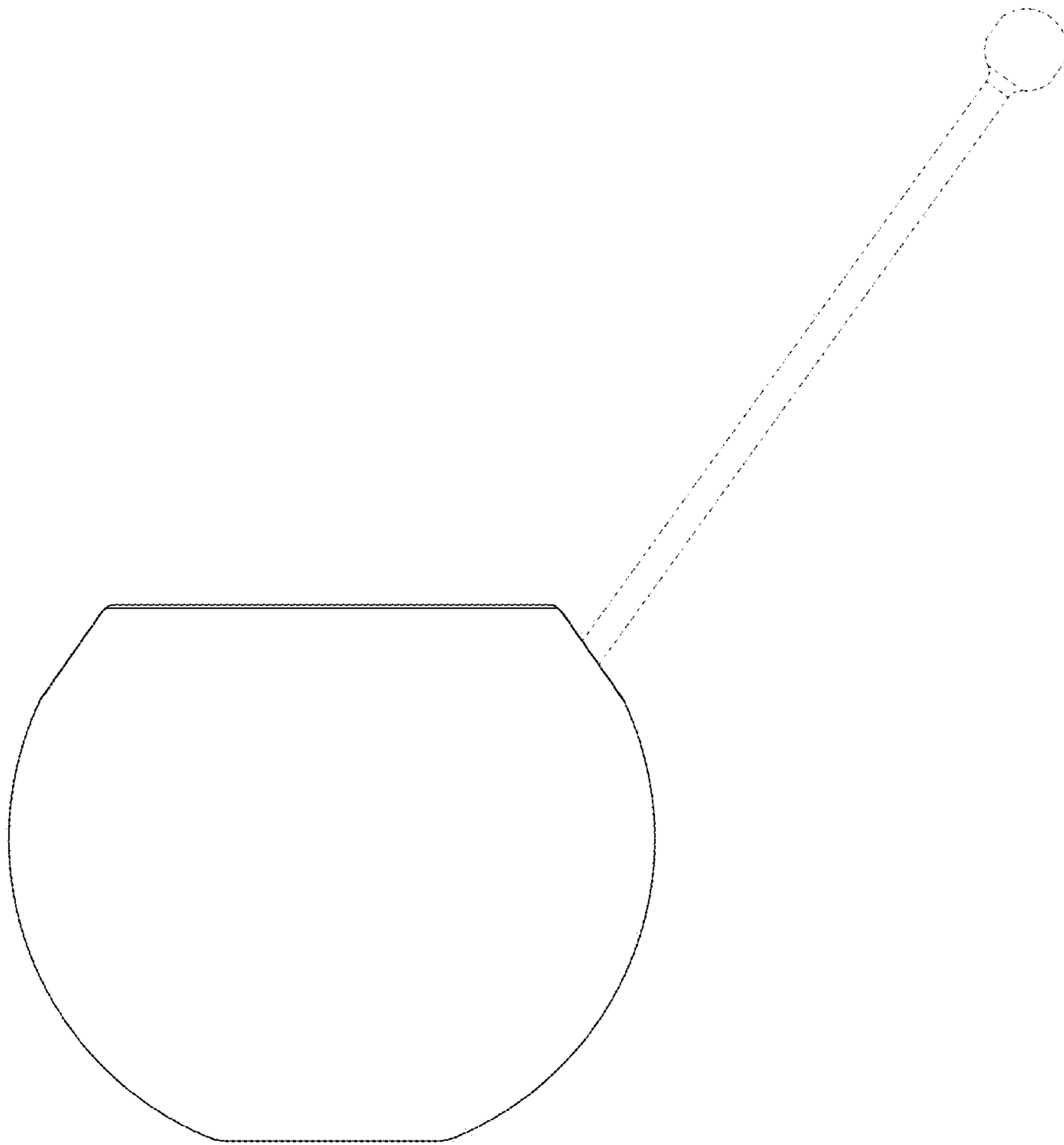


FIG.41

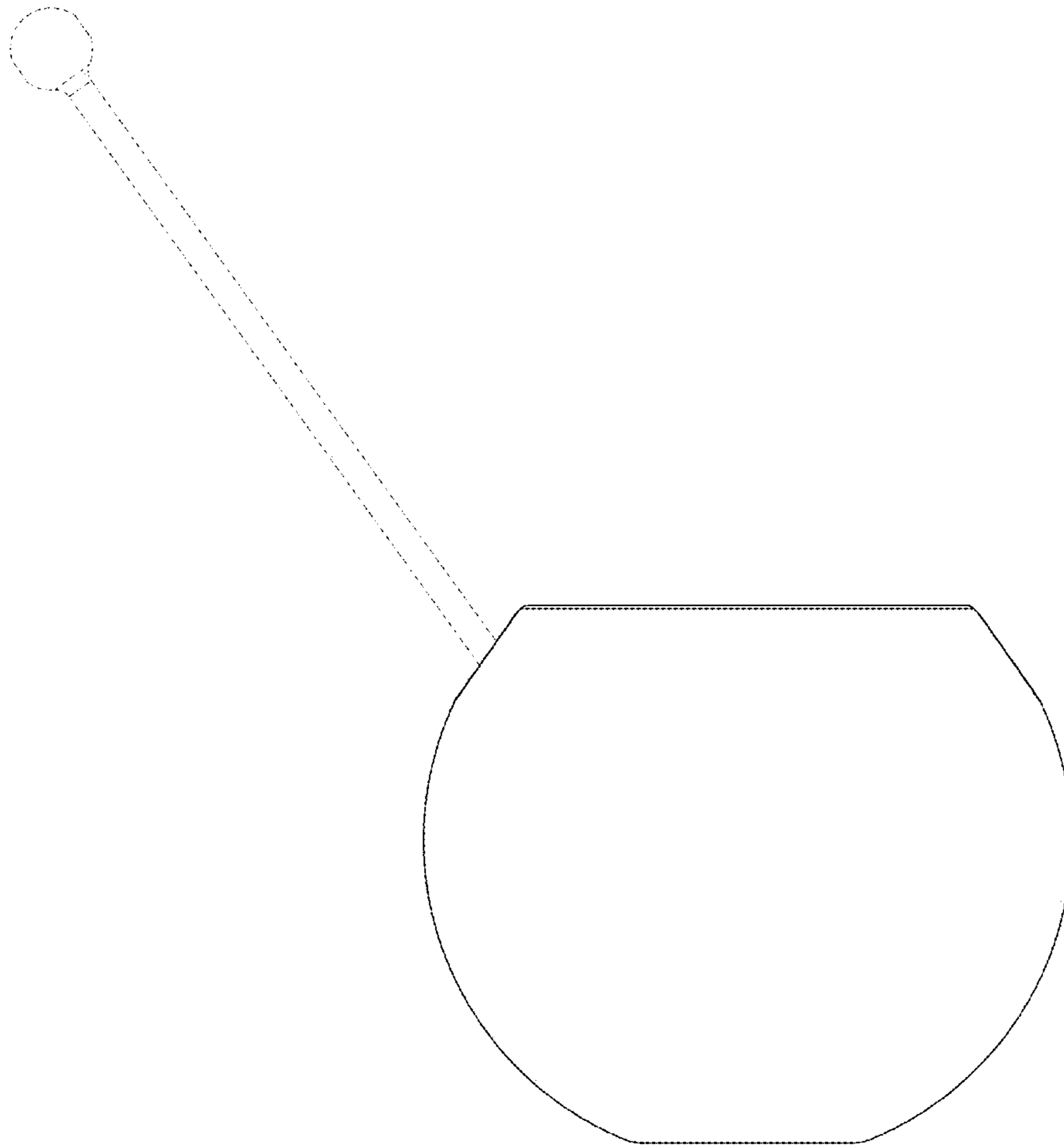


FIG.42

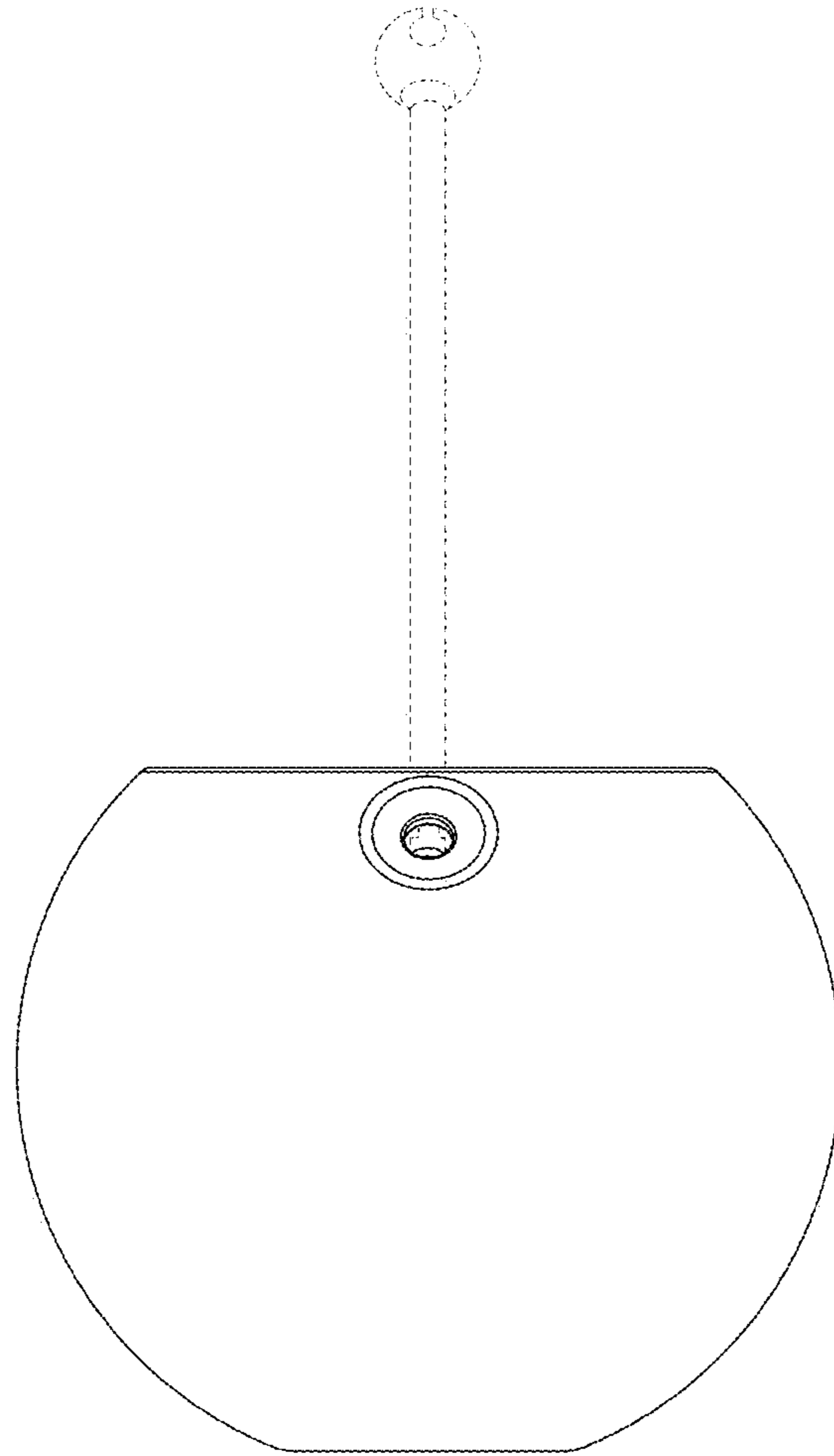


FIG.43

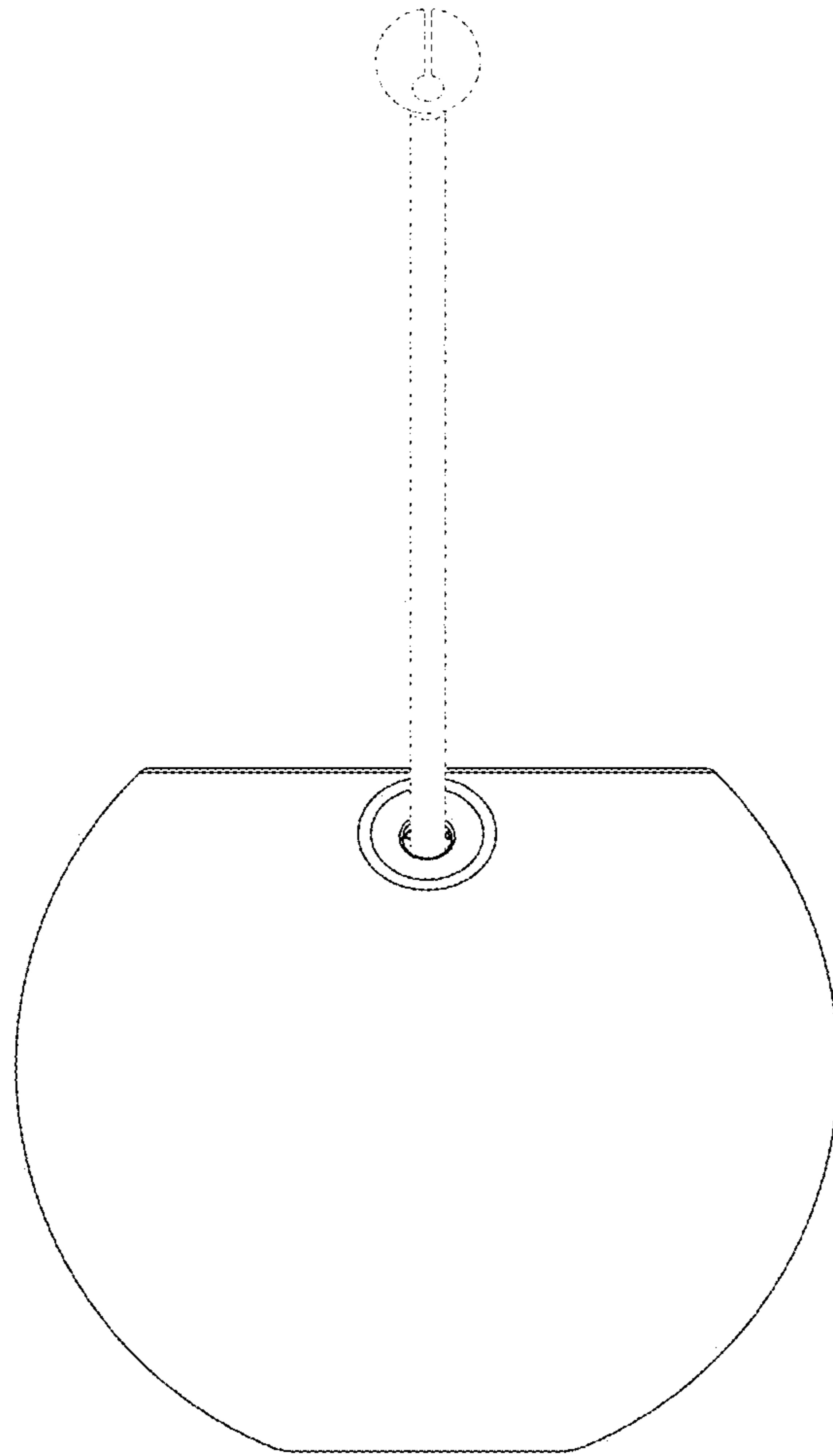


FIG.44

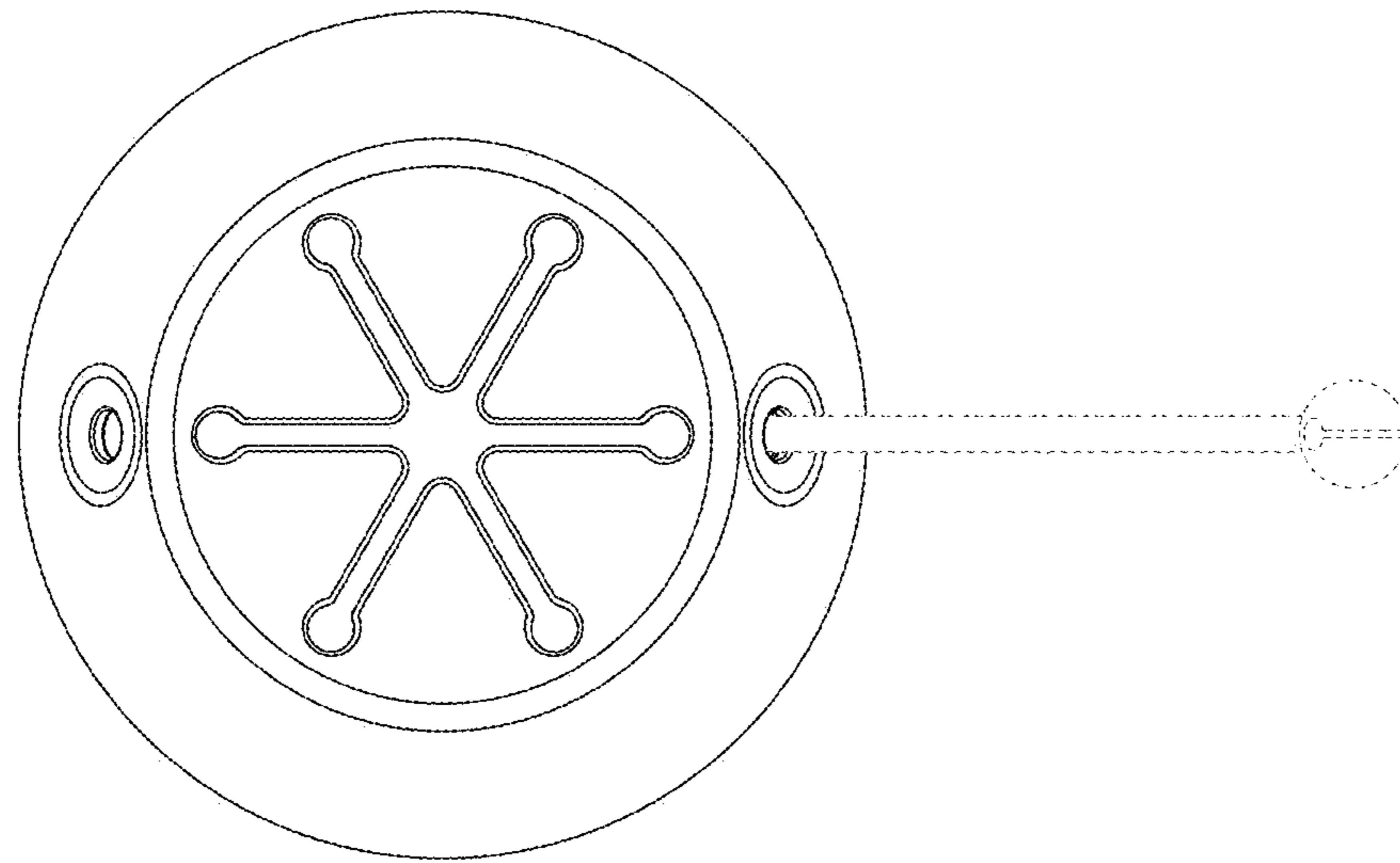


FIG.45

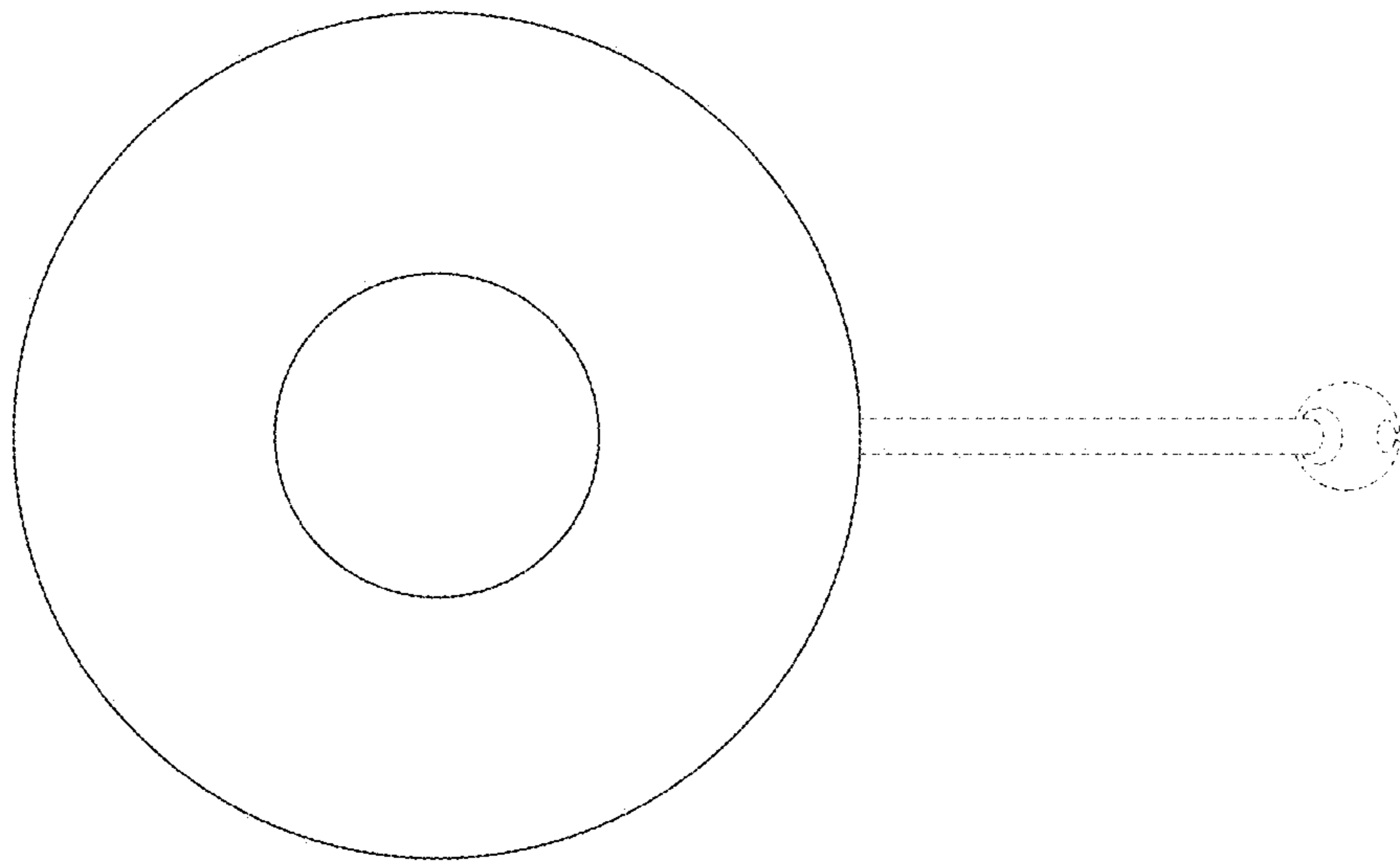


FIG.46