

US00D962013S

(12) **United States Design Patent**  
**Nam et al.**

(10) **Patent No.:** **US D962,013 S**

(45) **Date of Patent:** **\*\* Aug. 30, 2022**

(54) **CONTAINER FOR FOOD STORAGE**

(71) Applicant: **LOCK & LOCK CO., LTD.**,  
Chungcheongnam-do (KR)

(72) Inventors: **Soojung Nam**, Seoul (KR); **Dongseop Shim**, Gyeonggi-do (KR)

(73) Assignee: **LOCK & LOCK CO., LTD.**,  
Chungcheongnam-Do (KR)

(\*\*) Term: **15 Years**

(21) Appl. No.: **29/715,820**

(22) Filed: **Dec. 4, 2019**

(30) **Foreign Application Priority Data**

Jun. 5, 2019 (KR) ..... 30-2019-0026827

(51) **LOC (13) Cl.** ..... **09-07**

(52) **U.S. Cl.**  
USPC ..... **D7/629**

(58) **Field of Classification Search**  
USPC ..... D7/602, 609, 629, 630, 701, 703, 391,  
D7/392.1, 397; D9/416, 424, 425, 426,  
D9/430, 432, 435, 761; D19/102, 106;  
D3/201, 203.6, 273

CPC ... B65D 1/26; B65D 1/40; B65D 5/24; B65D  
81/34; B65D 81/3453; B65D 2581/34;  
B65D 2581/3437

See application file for complete search history.

(56) **References Cited**

**U.S. PATENT DOCUMENTS**

D517,311 S \* 3/2006 Kim ..... D3/218  
D698,614 S \* 2/2014 Duvigneau ..... D7/629  
D699,082 S \* 2/2014 Duvigneau ..... D7/629  
8,733,550 B2 \* 5/2014 Harvey ..... B65D 53/02  
206/508

D759,421 S \* 6/2016 Wiggins ..... D7/602  
D801,754 S \* 11/2017 Neumann ..... A45C 11/20  
D7/629  
D803,637 S \* 11/2017 Feng ..... D7/629  
D815,924 S \* 4/2018 Croft ..... D7/629  
D869,228 S \* 12/2019 Zhang ..... D7/392.1  
10,974,874 B2 \* 4/2021 Ragias ..... B65D 43/0208  
2005/0006390 A1 \* 1/2005 Wang ..... B65D 45/30  
220/326  
2005/0035125 A1 \* 2/2005 Bae ..... B65D 45/20  
220/326  
2008/0203092 A1 \* 8/2008 Stamper ..... B65D 43/0218  
220/203.01  
2014/0103033 A1 \* 4/2014 Beckman ..... B65D 43/0212  
220/4.01

**FOREIGN PATENT DOCUMENTS**

JP D1433562 S 2/2012  
JP D1437591 S 4/2012

(Continued)

*Primary Examiner* — Andrew Kerr

(74) *Attorney, Agent, or Firm* — Duane Morris LLP

(57) **CLAIM**

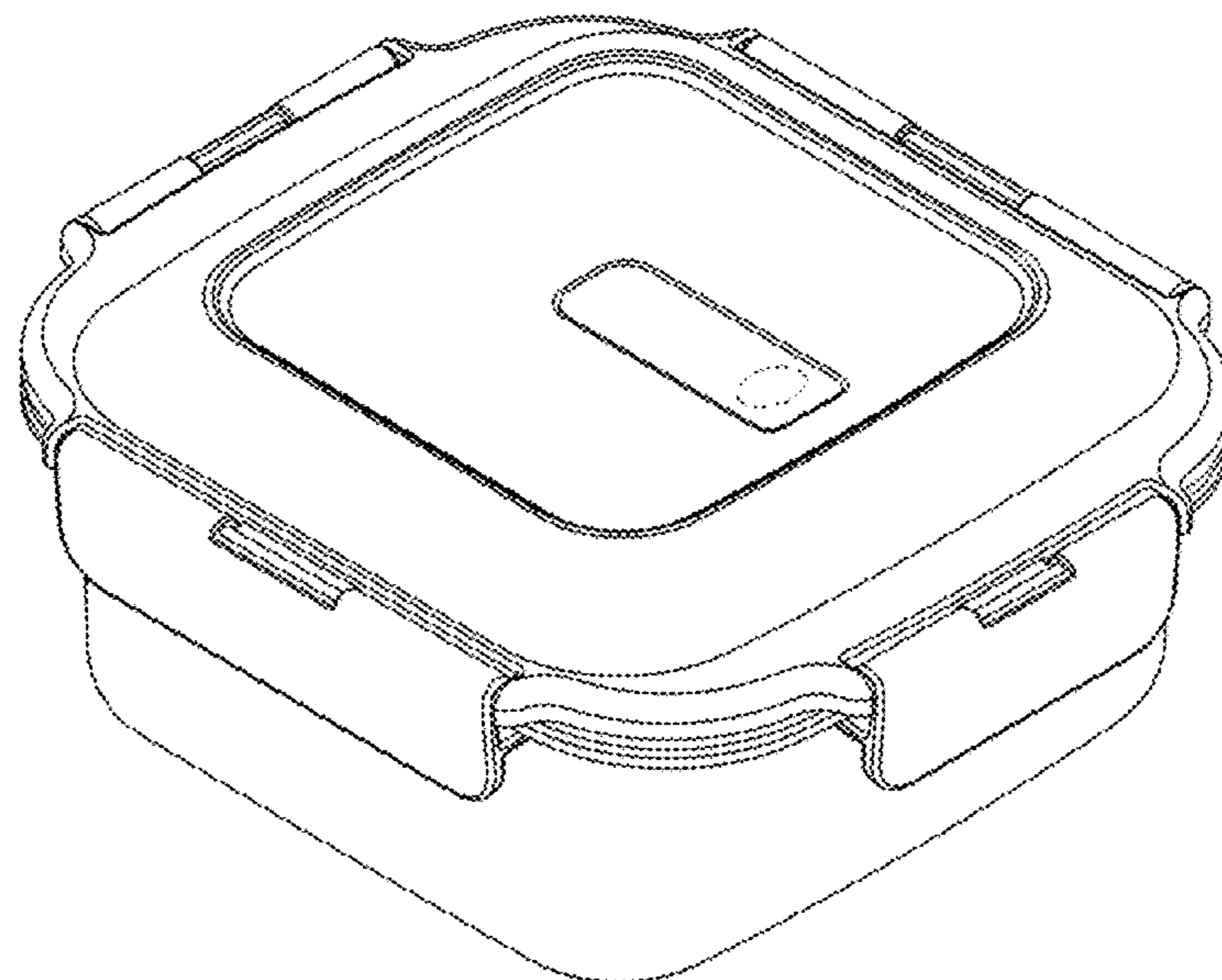
The ornamental design for a container for food storage, as shown and described.

**DESCRIPTION**

FIG. 1 is a top, front, right perspective view of a container for food storage showing our new design; FIG. 2 is a front elevation view thereof; FIG. 3 is a rear elevation view thereof; FIG. 4 is a left side elevation view thereof; FIG. 5 is a right side elevation view thereof; FIG. 6 is a top plan view thereof; and, FIG. 7 is a bottom plan view thereof.

The broken lines in the drawings depict portions of the container for food storage that form no part of the claimed design.

**1 Claim, 7 Drawing Sheets**



(56)

**References Cited**

FOREIGN PATENT DOCUMENTS

JP	D1473857 S	7/2013
JP	D1565344 S	12/2016
JP	D1574683 S	4/2017
KR	558227	10/2003
KR	3009130380000	7/2017
KR	3009340200000	12/2017

\* cited by examiner

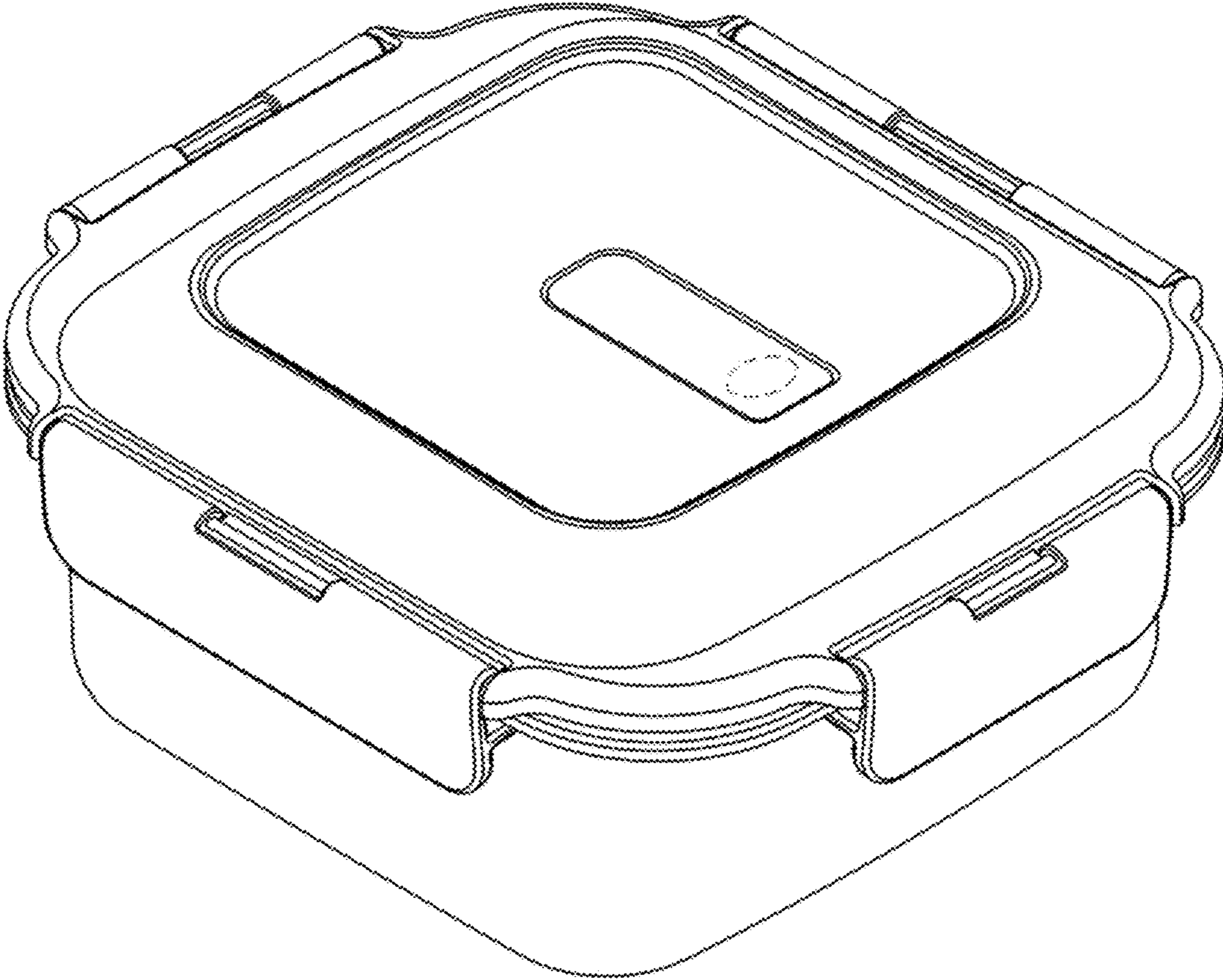


Fig. 1

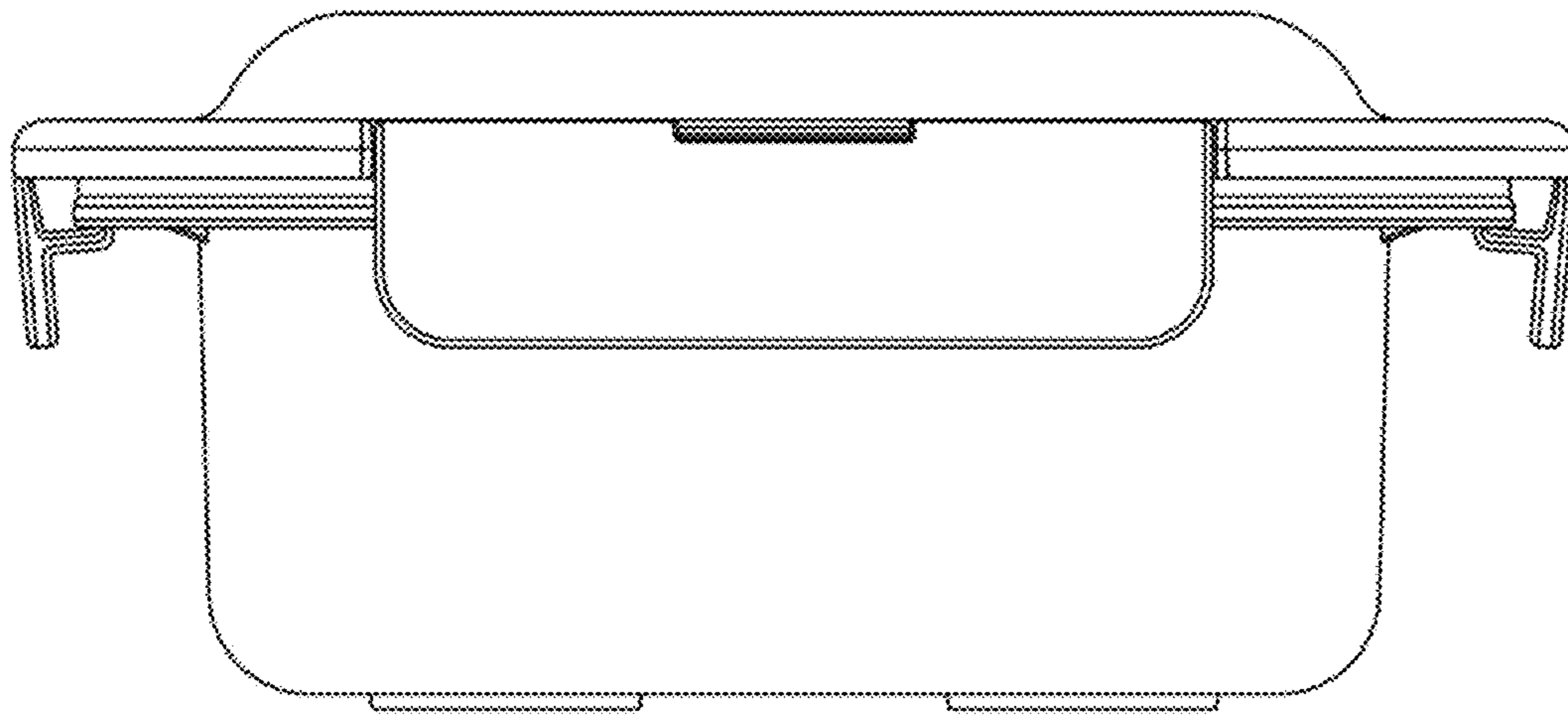


Fig. 2

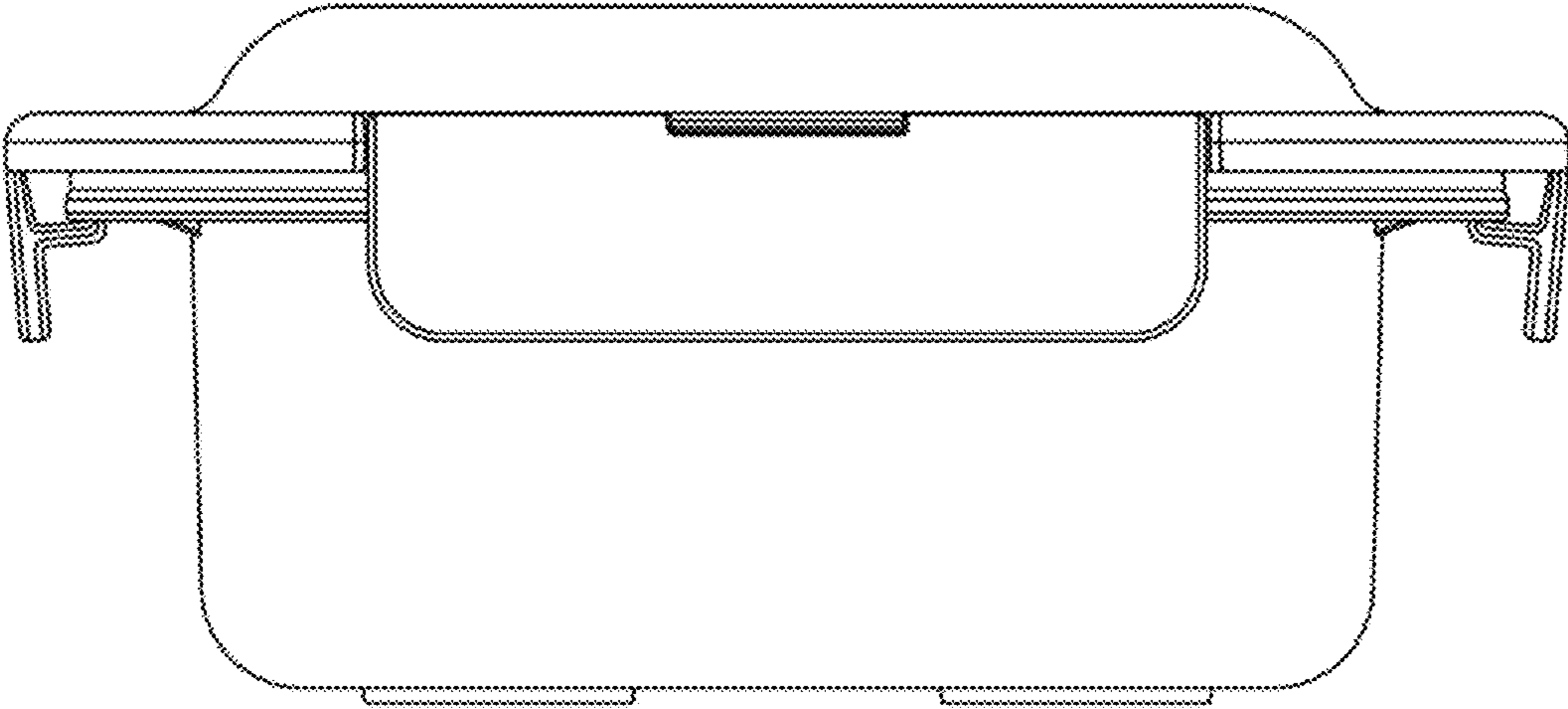


Fig. 3

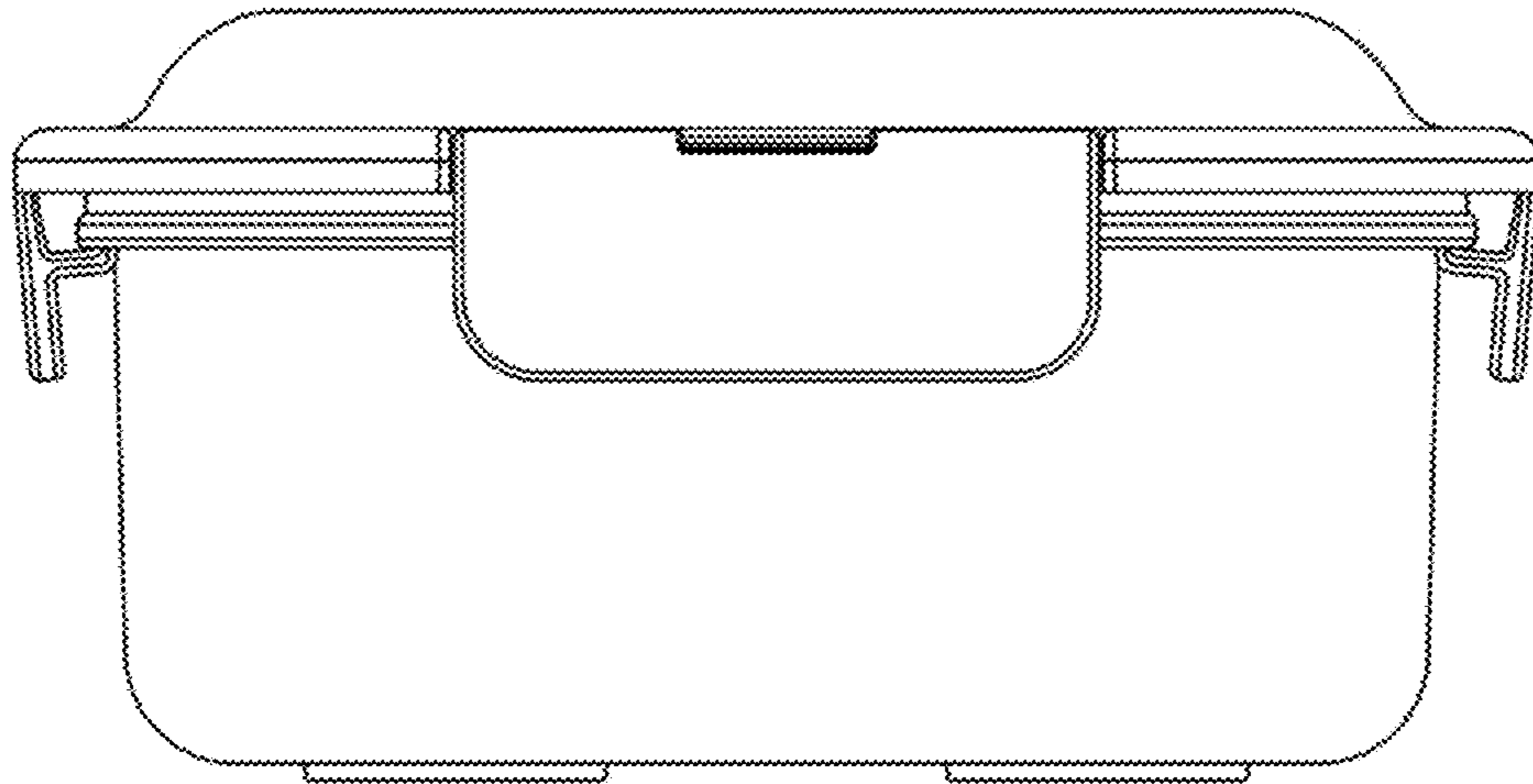


Fig. 4

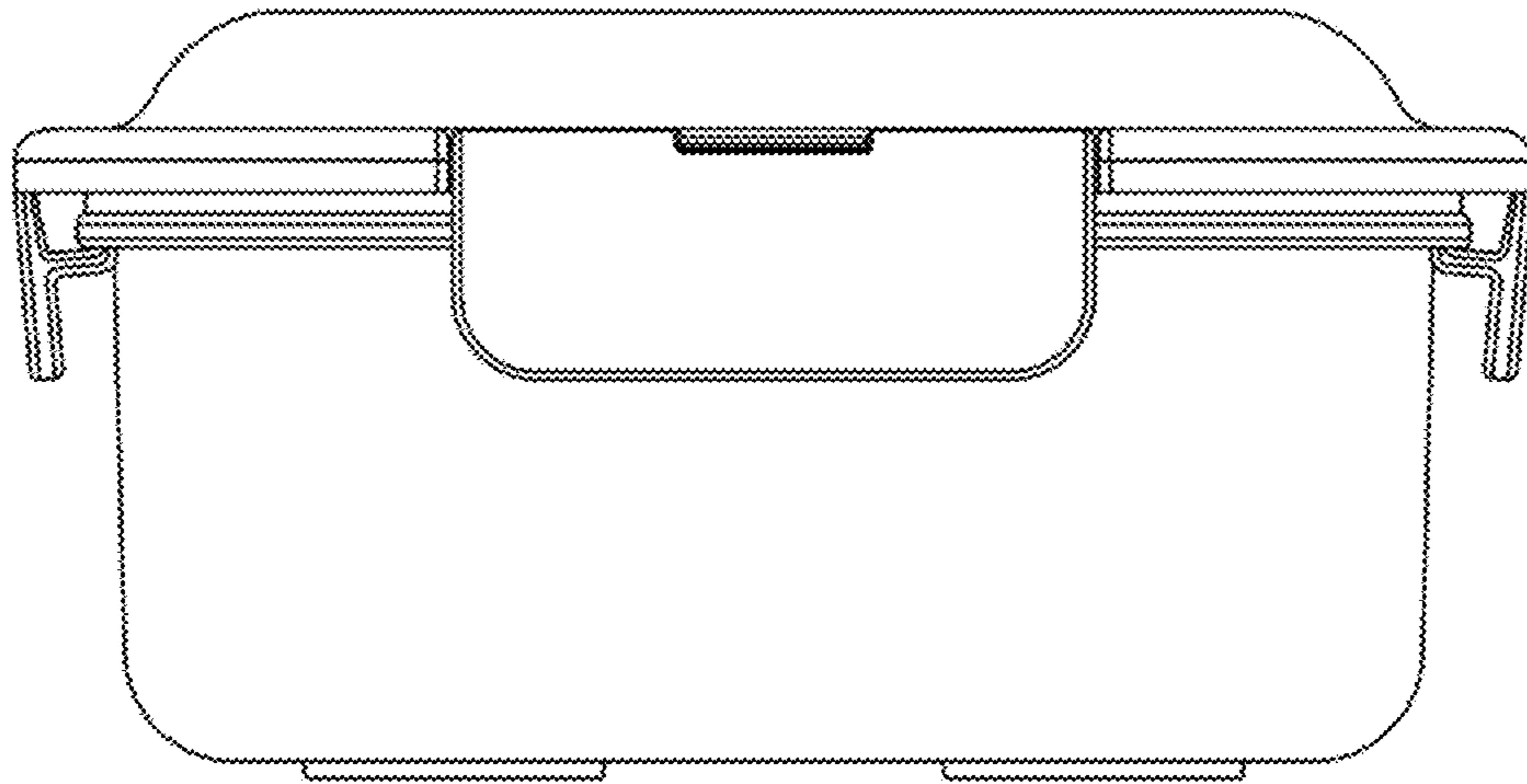


Fig. 5

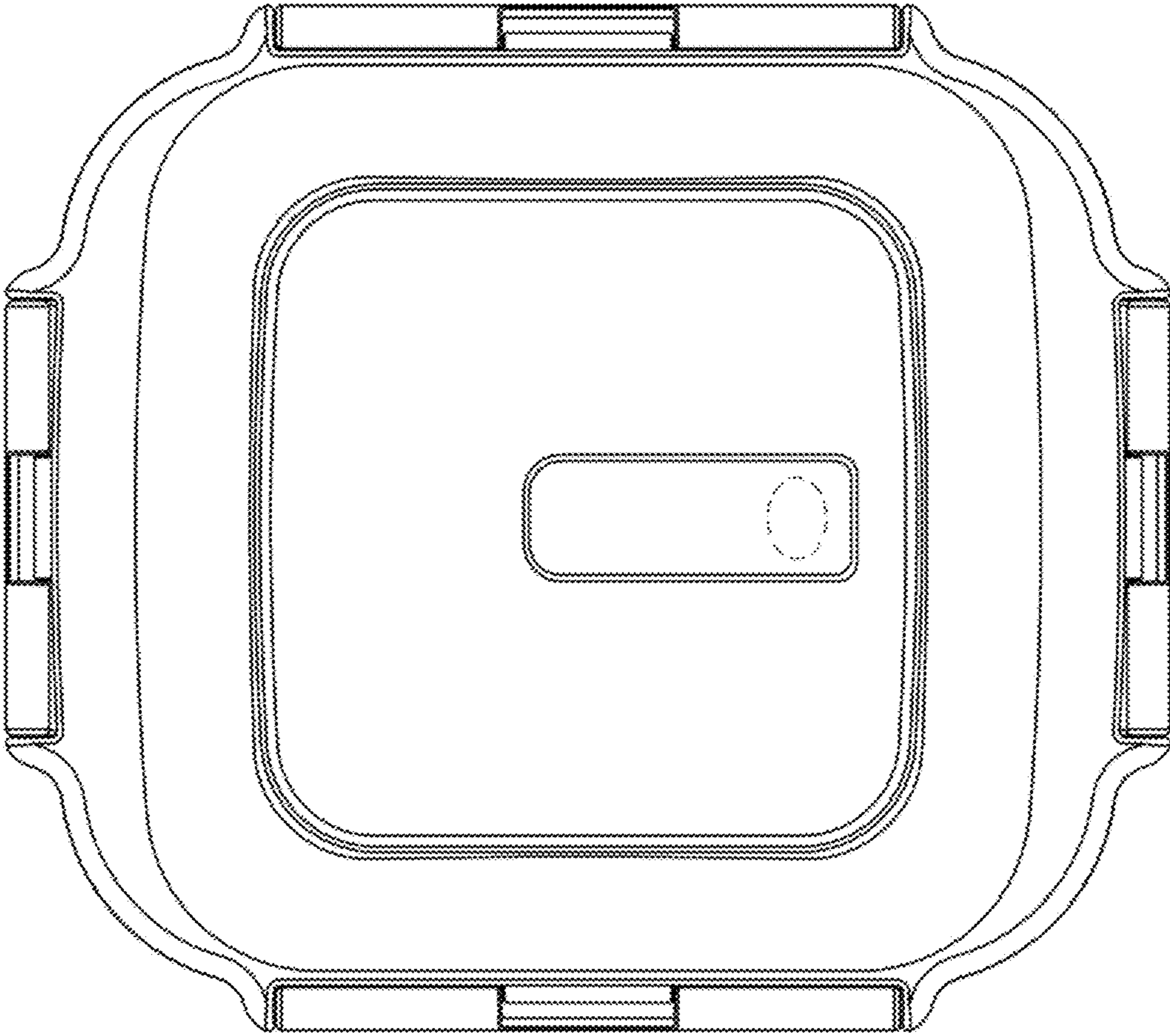


Fig. 6



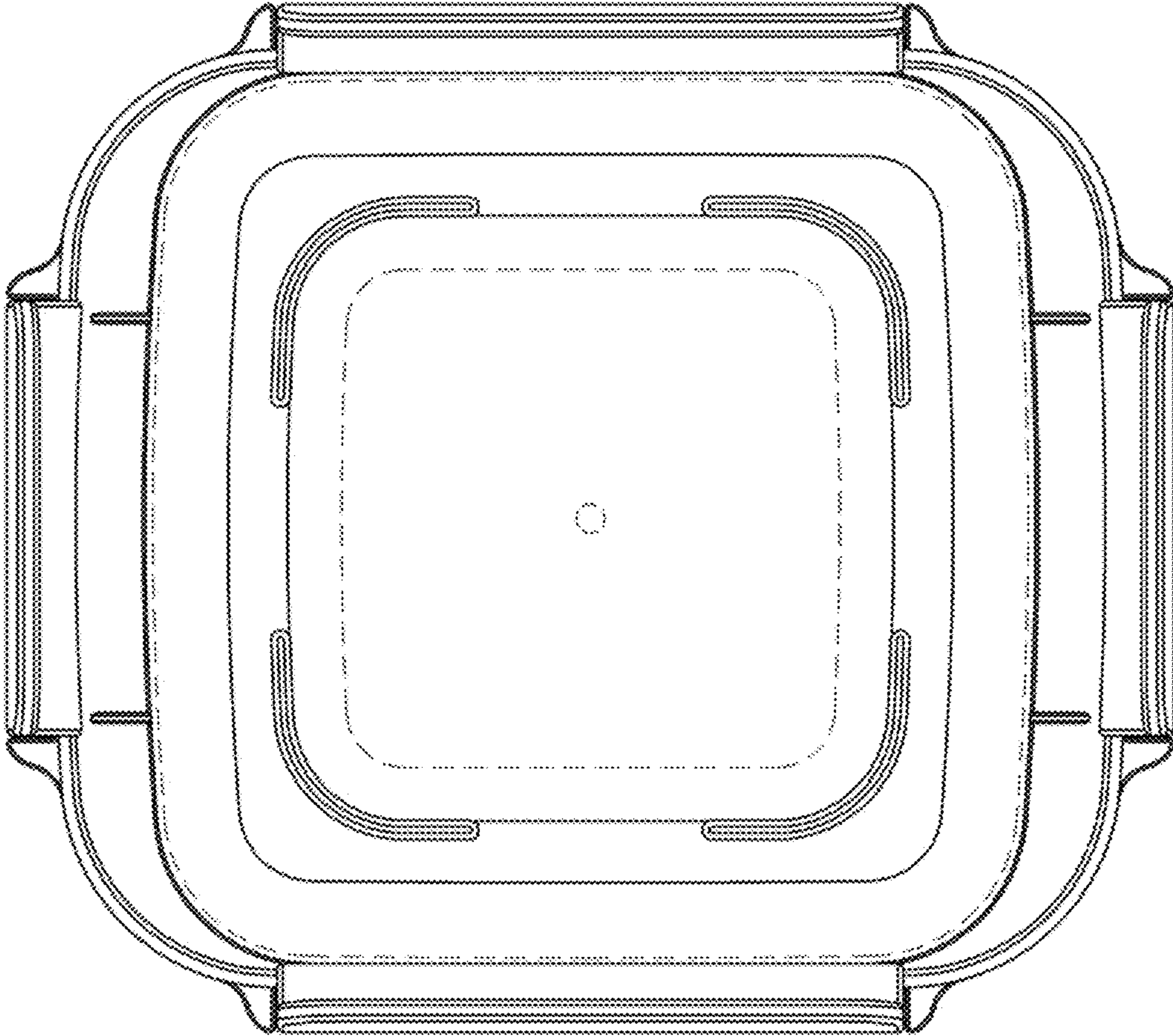


Fig. 7