



US00D962012S

(12) **United States Design Patent** (10) **Patent No.:** **US D962,012 S**  
**Kent et al.** (45) **Date of Patent:** **\*\* Aug. 30, 2022**

(54) **STORAGE CONTAINER**

FOREIGN PATENT DOCUMENTS

(71) Applicant: **Revelution Technology, LLC**, Carson, CA (US)

CN 304979208 \* 4/2019  
KR 301120985.0000 \* 7/2021

(72) Inventors: **Joshua Kent**, Carson, CA (US);  
**Christanne Cabal**, Carson, CA (US);  
**DanAngelo Cabal**, Chesapeake (CA);  
**Rebekah Cabal**, Chesapeake, VA (US)

OTHER PUBLICATIONS

(73) Assignee: **REVELUTION TECHNOLOGY, LLC**, Carson, CA (US)

BlenderBottle Shaker Bottle with Pill Organizer and Storage for Protein Powder, first available Oct. 6, 2016, Amazon, [online], [site visited Nov. 1, 2021], Available from internet URL: <https://www.amazon.com/BlenderBottle-ProStak-22-Ounce-Bottle-Storage/dp/B01LXRWZNI> (Year: 2016).\*

(\*\*) Term: **15 Years**

(Continued)

(21) Appl. No.: **29/717,037**

*Primary Examiner* — Mary Ann Calabrese

(22) Filed: **Dec. 13, 2019**

*Assistant Examiner* — Natalya M Rapundalo

(51) **LOC (13) Cl.** ..... **07-01**

(74) *Attorney, Agent, or Firm* — Snell & Wilmer LLP

(52) **U.S. Cl.**

(57) **CLAIM**

USPC ..... **D7/608**; D7/387; D7/602

The ornamental design for a storage container, as shown and described.

(58) **Field of Classification Search**

USPC ..... D7/300, 300.1, 387, 388, 396.2, 507,  
D7/509–511, 513, 523, 601–603, 605,  
D7/608, 612–615, 624.2, 629, 630, 701,  
D7/703, 705, 706, 708.1; D9/500, 503,  
D9/504, 549, 556, 558, 569, 715, 716  
CPC . A47G 23/04; B65D 7/04; B65D 7/22; B65D  
21/0204; B65D 21/0228; B65D 25/24;  
B65D 41/04

**DESCRIPTION**

See application file for complete search history.

FIG. 1 is an elevated perspective view of a storage container, showing our new design;  
FIG. 2 is a left side view thereof;  
FIG. 3 is a right side view thereof;  
FIG. 4 is a front view thereof;  
FIG. 5 is a back view thereof;  
FIG. 6 is a top side view thereof;  
FIG. 7 is a bottom side view thereof; and,  
FIG. 8 is a perspective view of the storage container attached to a bottle.

(56) **References Cited**

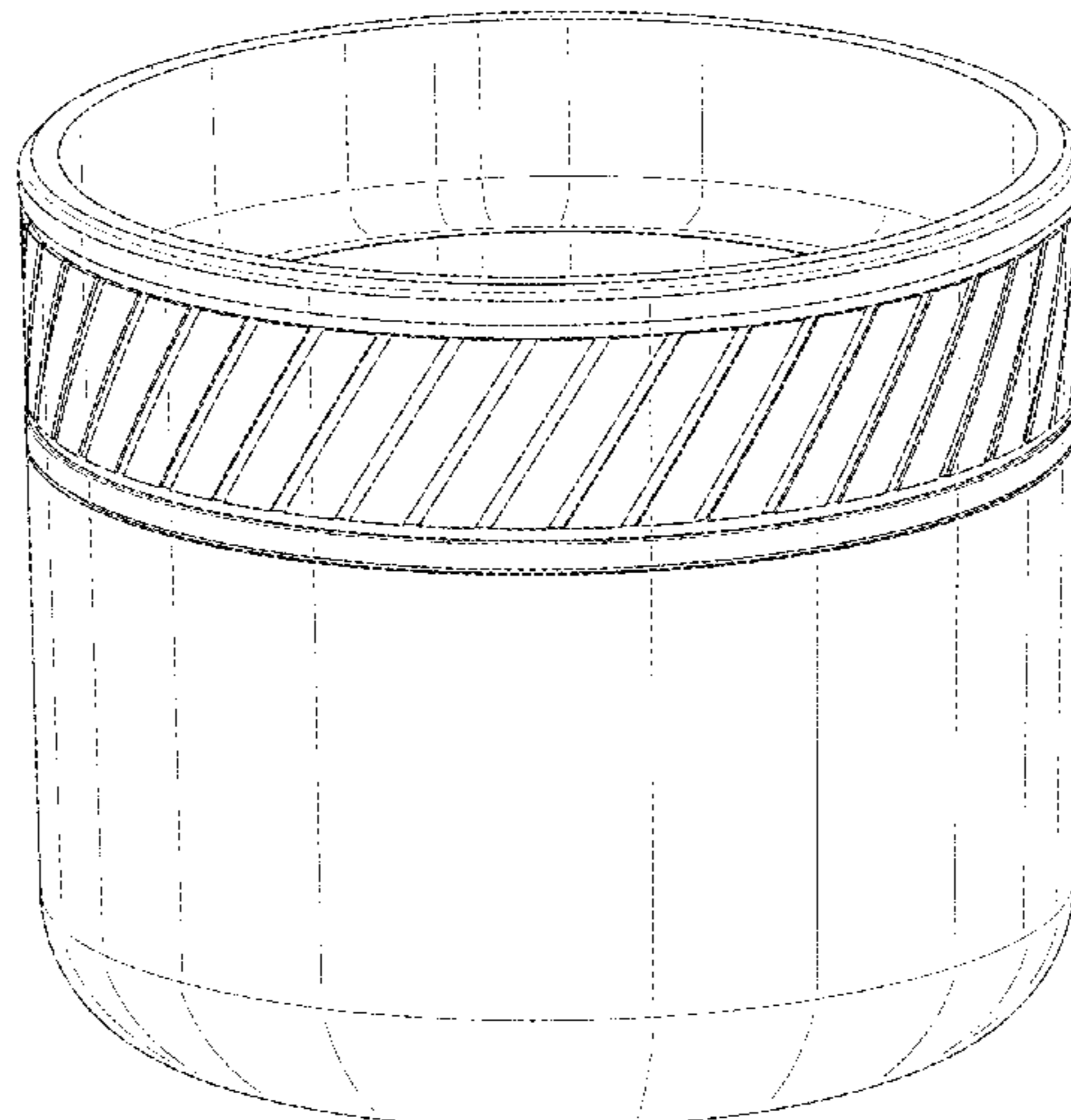
U.S. PATENT DOCUMENTS

5,842,675 A \* 12/1998 Davitt ..... B65D 25/24  
248/346.5  
D508,374 S \* 8/2005 Martin ..... D7/590  
D666,061 S \* 8/2012 Ying ..... D7/629  
D666,461 S \* 9/2012 Siegel ..... D7/629  
D725,438 S \* 3/2015 Panone ..... B65D 41/04  
D7/602  
D766,029 S \* 9/2016 Lin ..... D7/300.1  
D773,250 S \* 12/2016 Miller ..... D7/523

The broken lines and the unshaded surfaces bound by broken lines in FIG. 6 represent portions of the storage container and form no part of the claimed design. The broken lines in FIG. 8 depict a bottle that forms no part of the claimed design.

(Continued)

**1 Claim, 8 Drawing Sheets**



(56)

**References Cited**

U.S. PATENT DOCUMENTS

D853,789 S \* 7/2019 Adams, Jr. .... D7/509  
D866,270 S \* 11/2019 Campbell ..... B65D 41/04  
D7/605  
D871,856 S \* 1/2020 Fleischhut ..... D7/608  
D876,904 S \* 3/2020 Schneider ..... B65D 25/24  
D7/608  
D887,781 S \* 6/2020 Bergstrom ..... D7/510  
D888,505 S \* 6/2020 Seiders ..... D7/624.2  
D893,959 S \* 8/2020 Lane ..... D7/629  
D897,782 S \* 10/2020 Lane ..... D7/608  
D929,863 S \* 9/2021 Demers ..... D9/504

OTHER PUBLICATIONS

Turnt Bottle Demo Video, first available Dec. 20, 2020, Facebook, [online], [site visited Nov. 1, 2021], Available from internet URL: <https://www.facebook.com/RevelutionTechnology/videos/turnt-bottle-demo-video/395065541764642/> (Year: 2020).\*

Turnt, Revelution Tech, [online], [site visited Nov. 1, 2021], Available from internet URL: [revelutiontech.com](https://revelutiontech.com) (Year: 2021).\*

\* cited by examiner

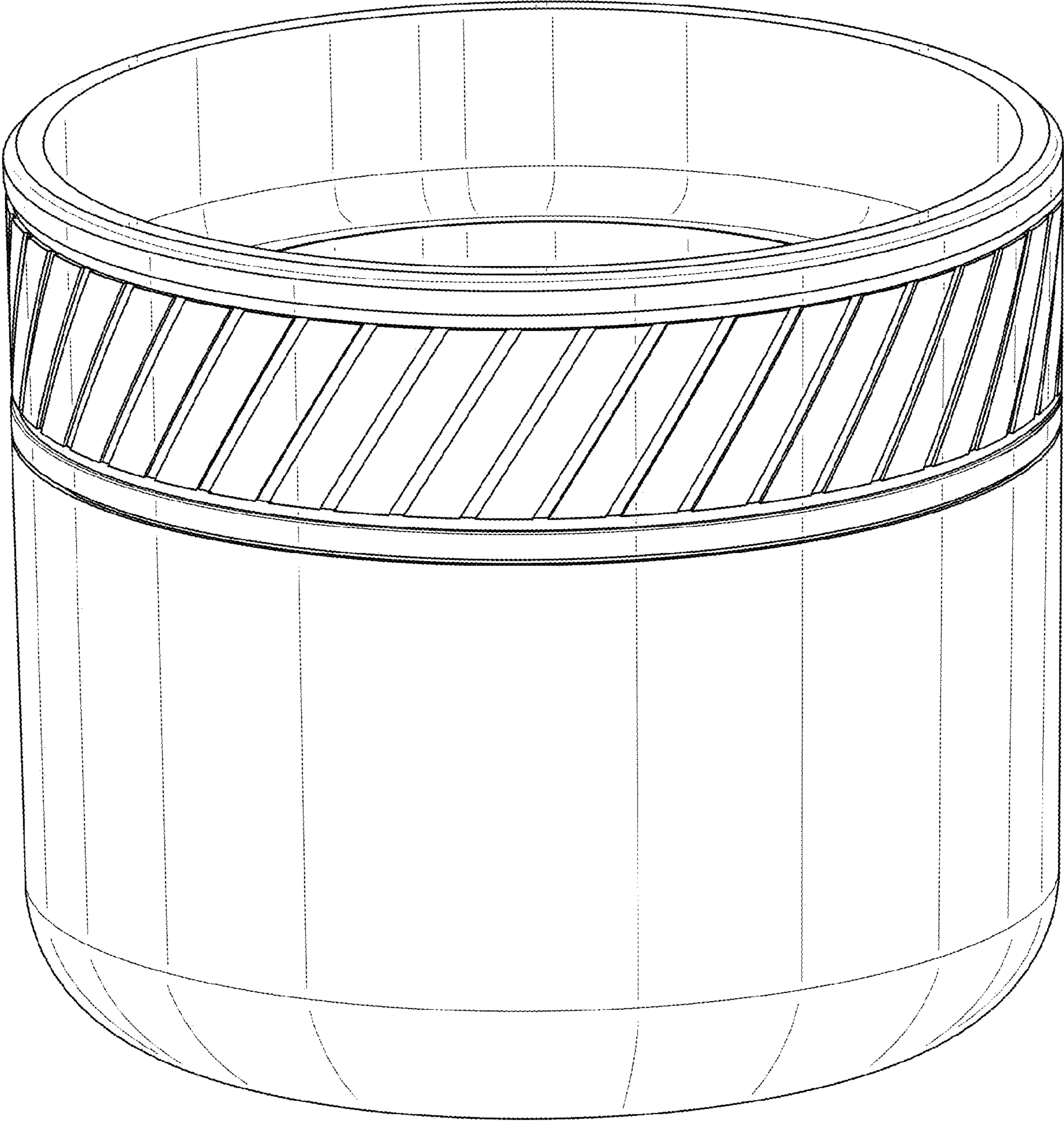


FIG. 1

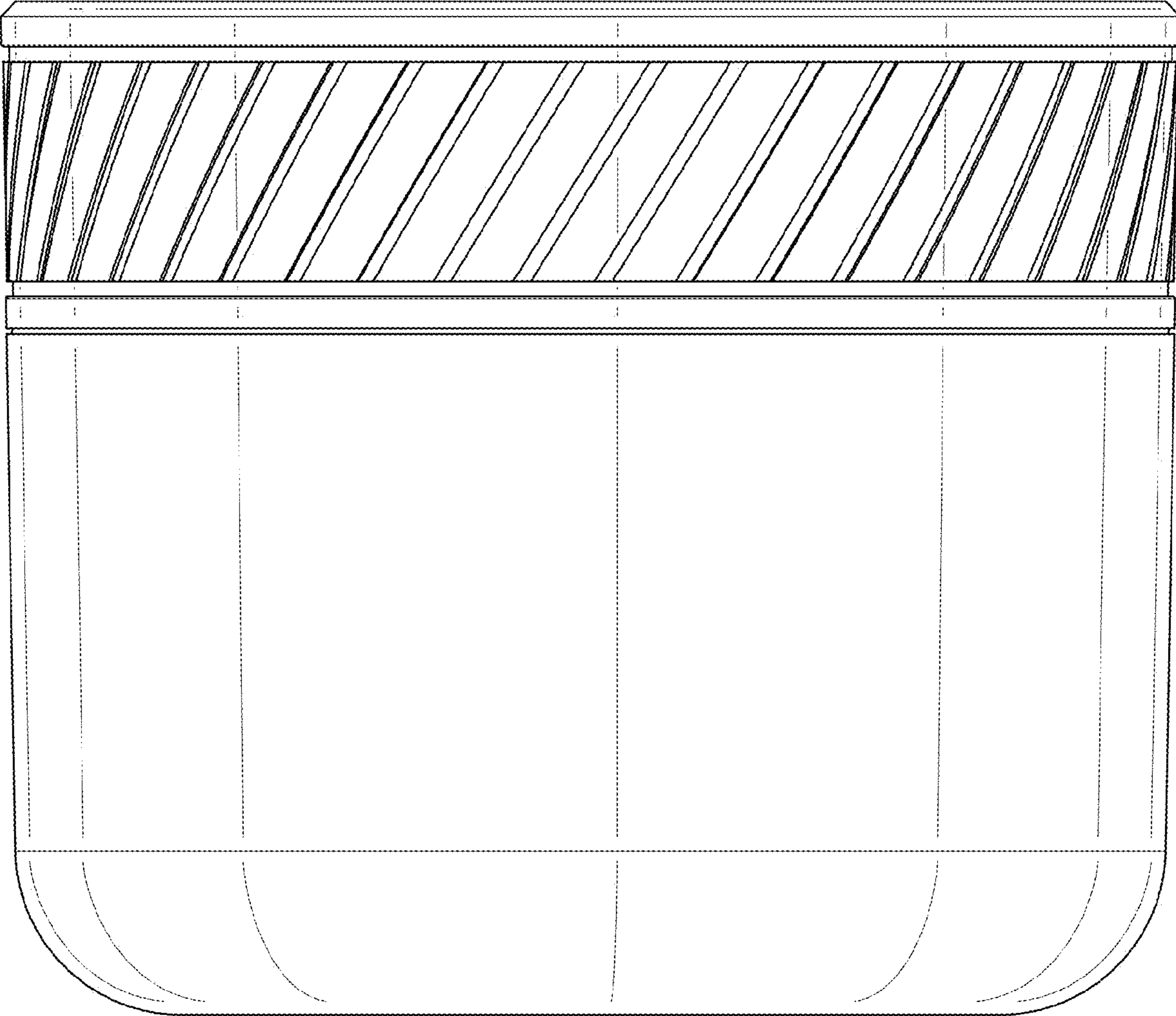


FIG. 2

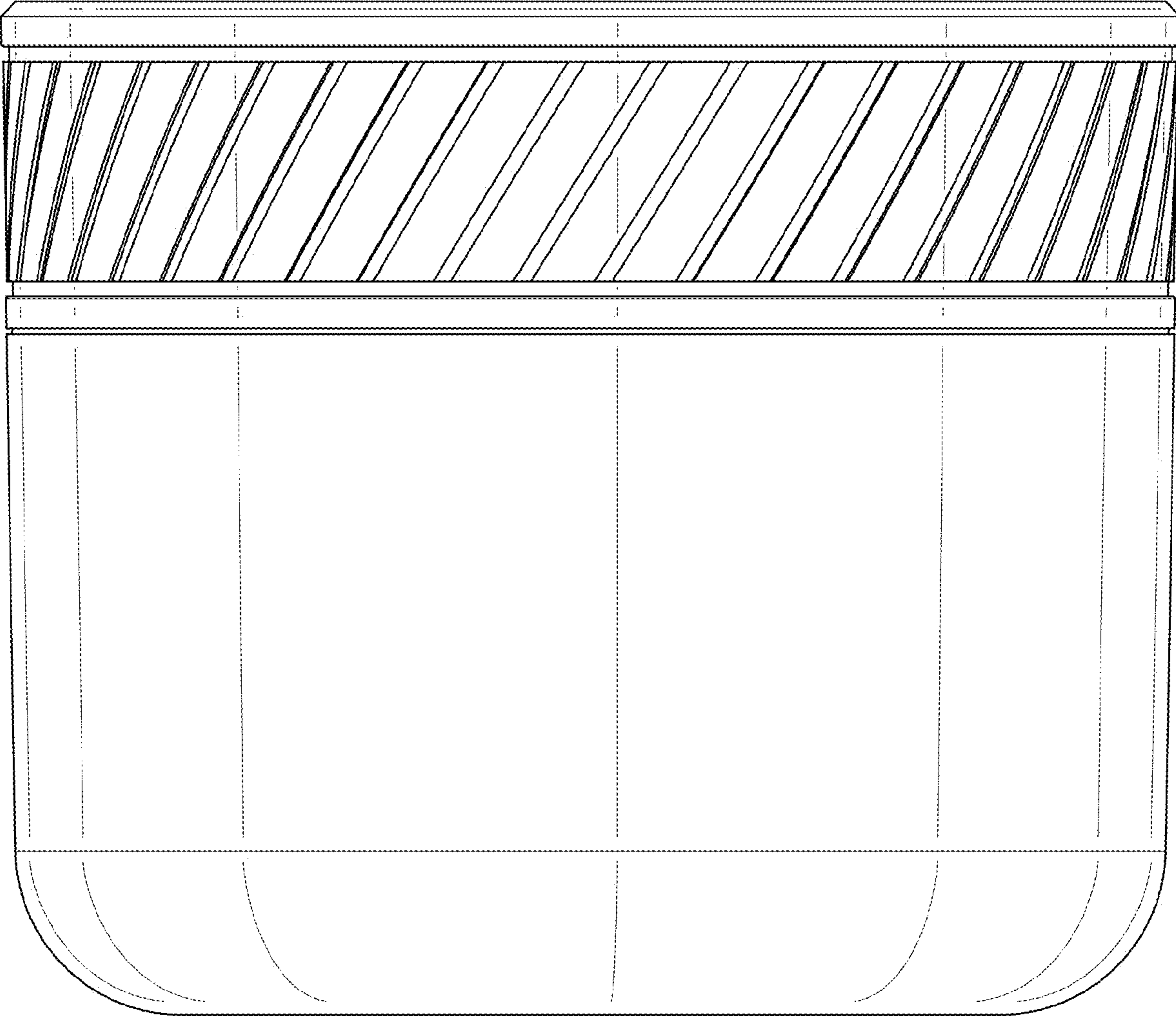


FIG. 3

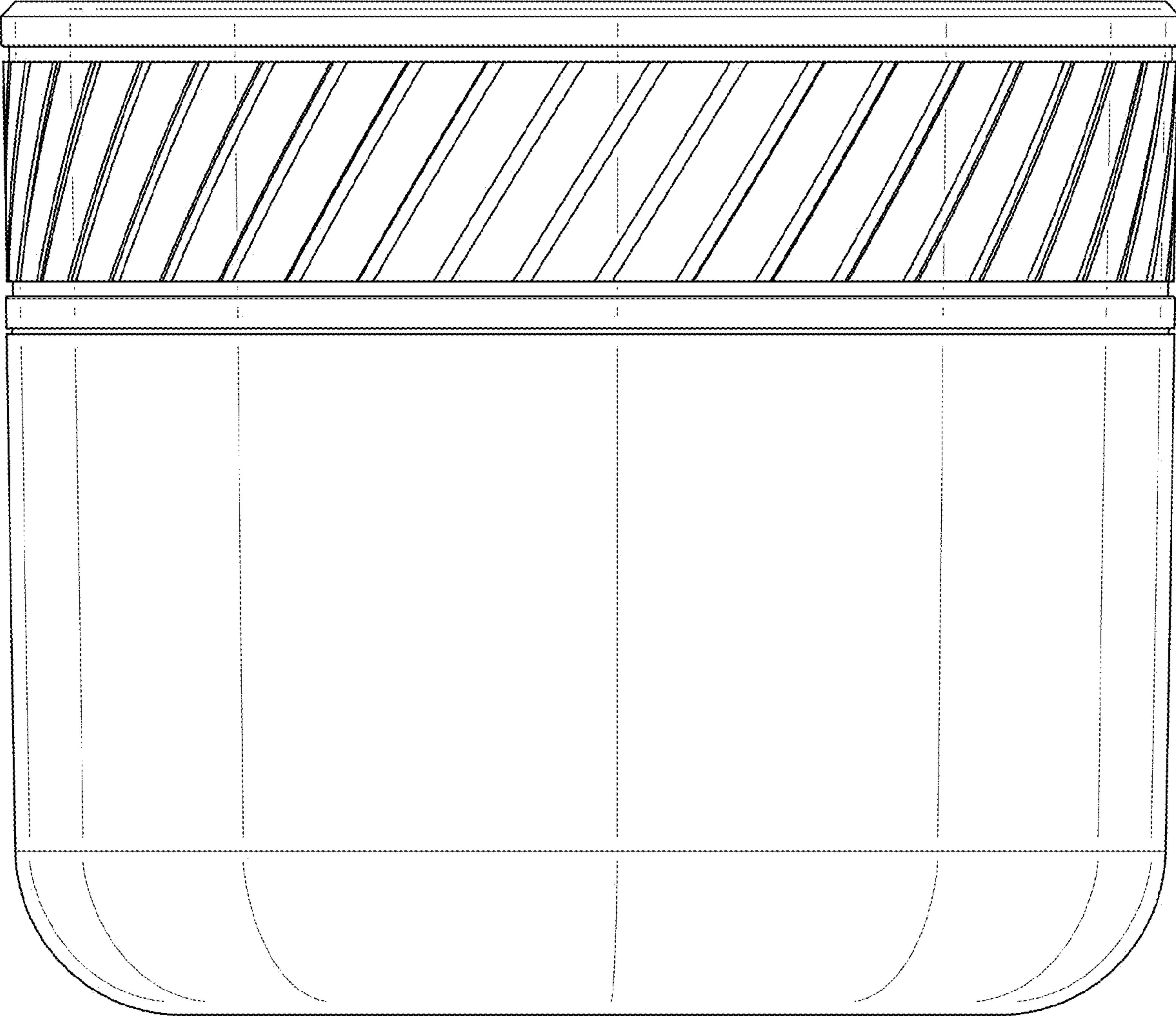


FIG. 4

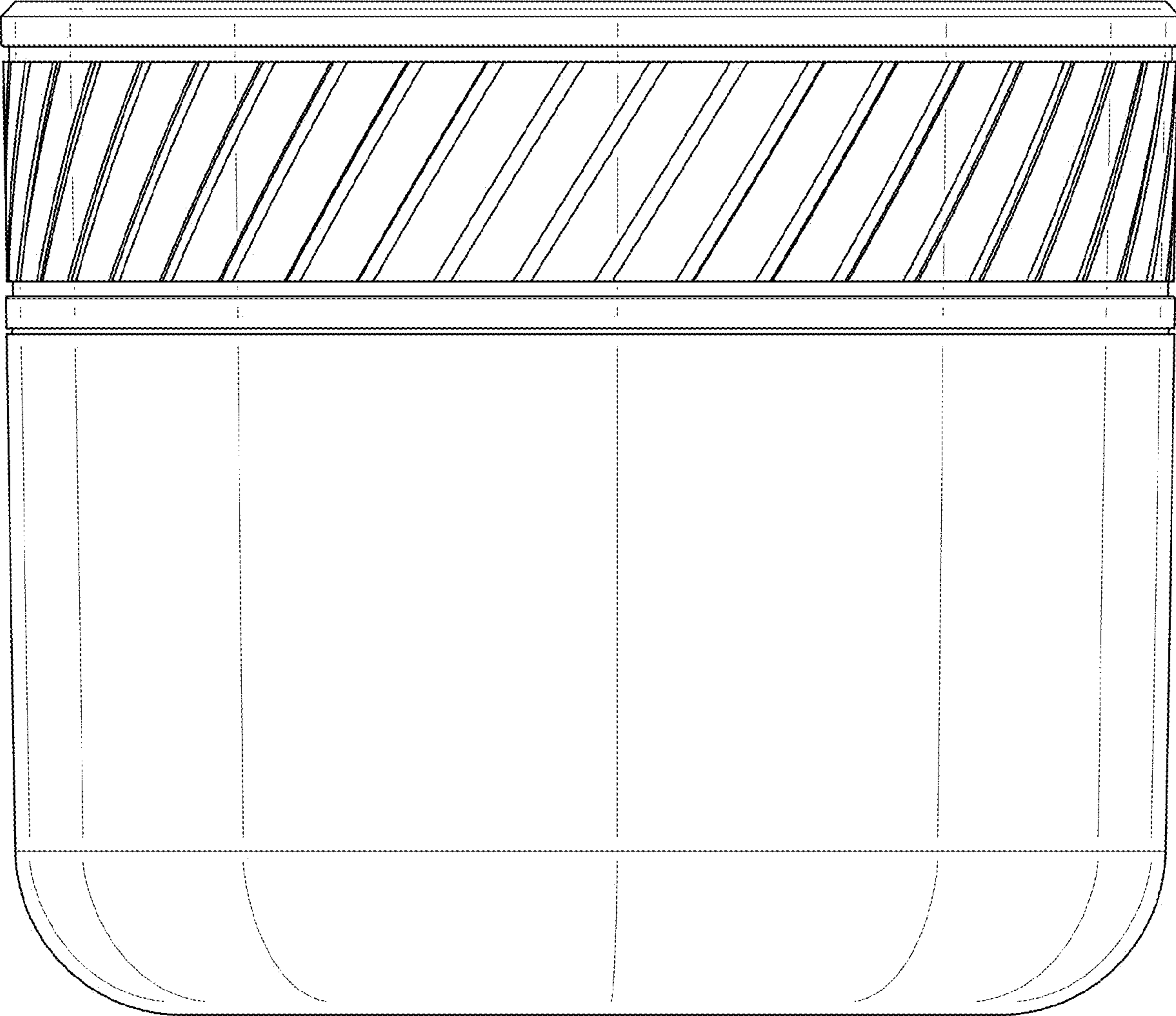


FIG. 5

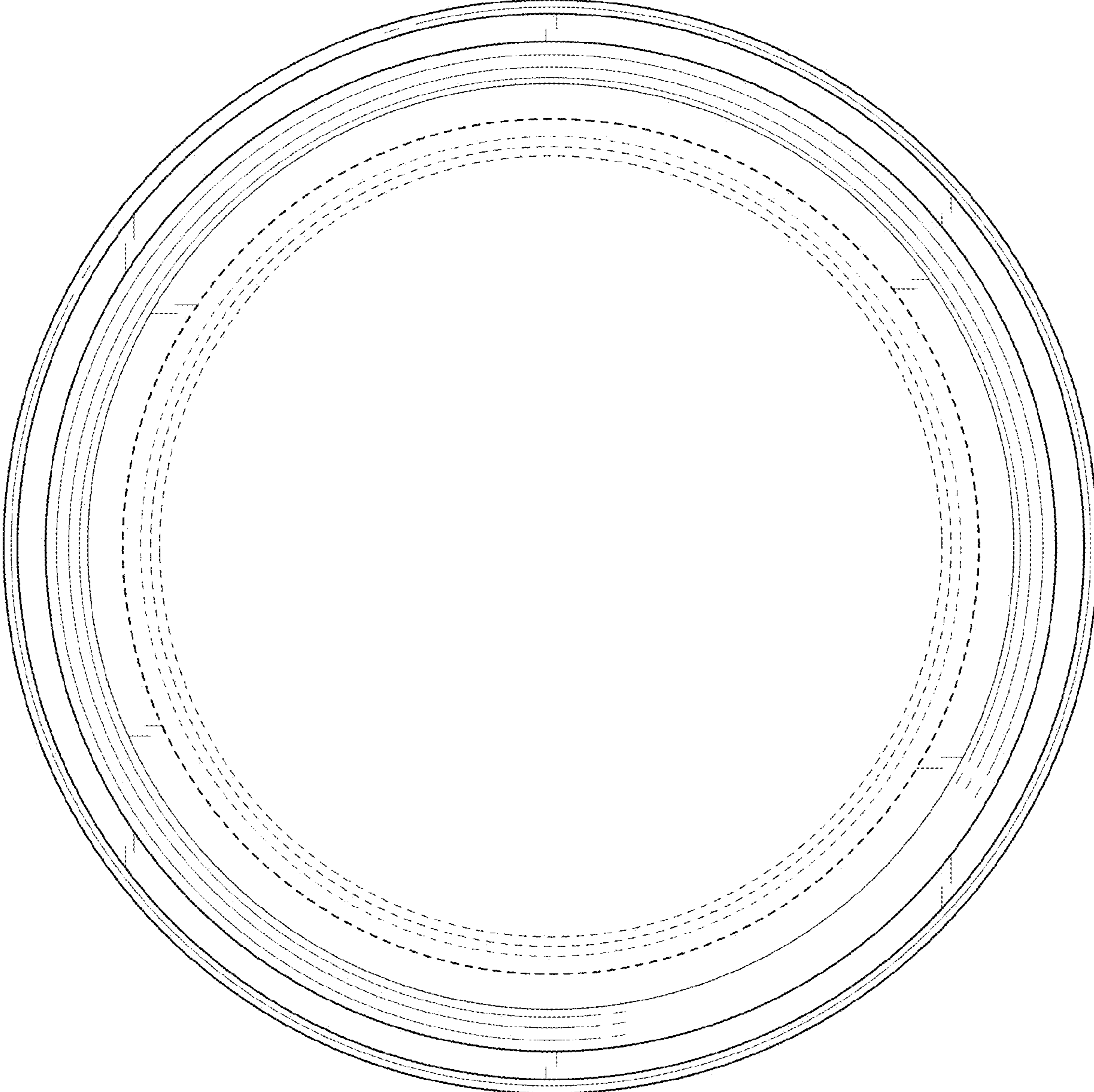


FIG. 6



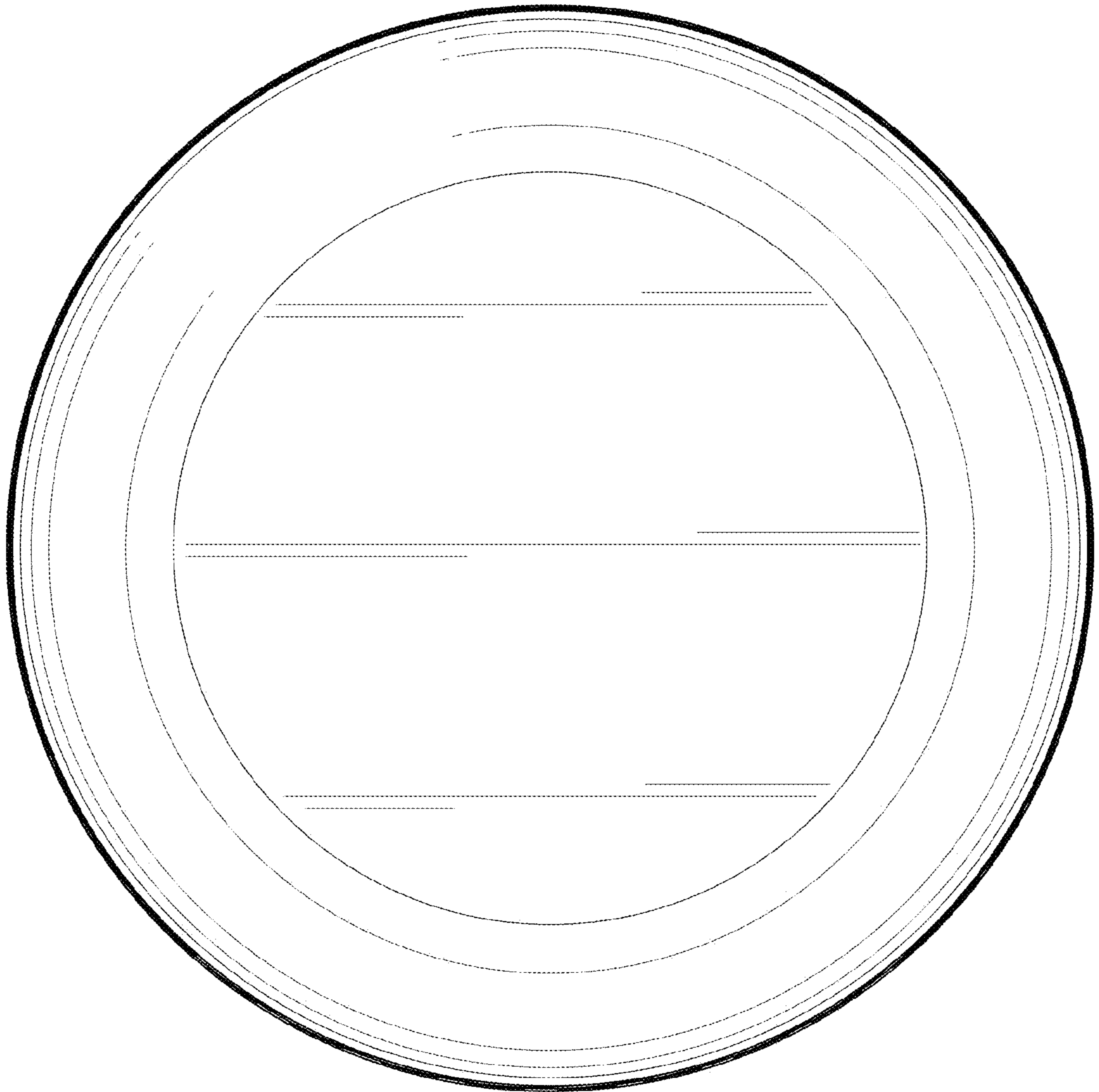


FIG. 7

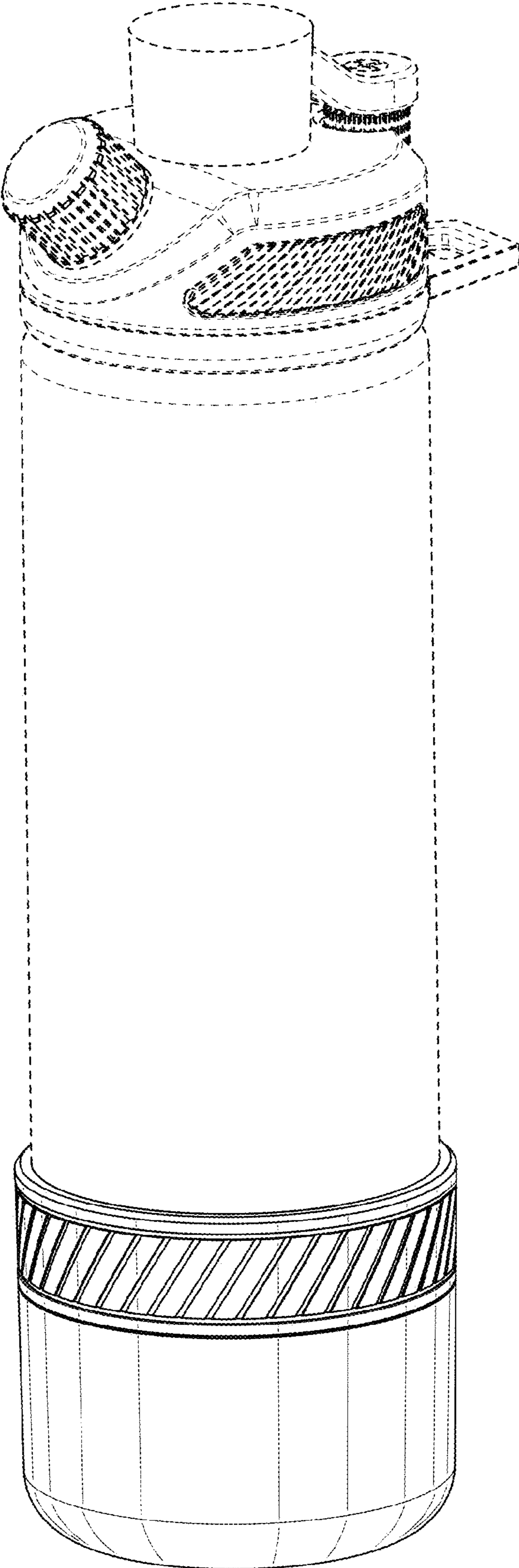


FIG. 8