



US00D962011S

(12) **United States Design Patent** (10) **Patent No.:** **US D962,011 S**  
**Liu** (45) **Date of Patent:** **\*\* Aug. 30, 2022**

(54) **LUNCH BAG**

D883,047 S \* 5/2020 Kou ..... D7/709  
D919,289 S \* 5/2021 Pos ..... D3/242  
2016/0338462 A1\* 11/2016 Hayashi ..... A45C 3/06

(71) Applicant: **Bin Liu**, Guangdong (CN)

(72) Inventor: **Bin Liu**, Guangdong (CN)

(73) Assignee: **Shenzhen Le Tui Electronic Co., Ltd**,  
Shenzhen (CN)

(\*\*) Term: **15 Years**

(21) Appl. No.: **29/704,425**

(22) Filed: **Sep. 4, 2019**

(51) **LOC (13) Cl.** ..... **07-07**

(52) **U.S. Cl.**  
USPC ..... **D7/607**

(58) **Field of Classification Search**  
USPC ..... D7/601, 602, 605, 607, 701, 703, 705,  
D7/706, 709, 629; D3/201, 232, 233,  
D3/245, 246, 273, 276, 301  
CPC ..... A45C 1/00; A45C 11/20; A45C 2003/007;  
A45C 2003/008; A45C 7/0059; F25D  
2331/80; F25D 2331/804; B65D 30/08  
See application file for complete search history.

(56) **References Cited**

**U.S. PATENT DOCUMENTS**

D447,632 S \* 9/2001 Gisser ..... D3/276  
D641,552 S \* 7/2011 Sosnovsky ..... D3/283  
9,408,445 B2 \* 8/2016 Mogil ..... A45C 11/20  
D783,371 S \* 4/2017 Burton ..... D7/709  
D800,444 S \* 10/2017 Burton ..... D3/203.1  
D840,193 S \* 2/2019 Thuma ..... D7/606  
D874,815 S \* 2/2020 Wells ..... D3/203.1

**OTHER PUBLICATIONS**

DTBG Lunch Bag | posted at Amazon.com, posted on Nov. 27, 2018, © 1996-2021 Amazon.com, [online], [site visited Sep. 25, 2020], Available from URL <<https://www.amazon.com/Insulated-Capacity-Removable-Shoulder-Organizer/dp/B07KY612D4/>> (Year: 2018).\*

\* cited by examiner

*Primary Examiner* — Andrew Kerr

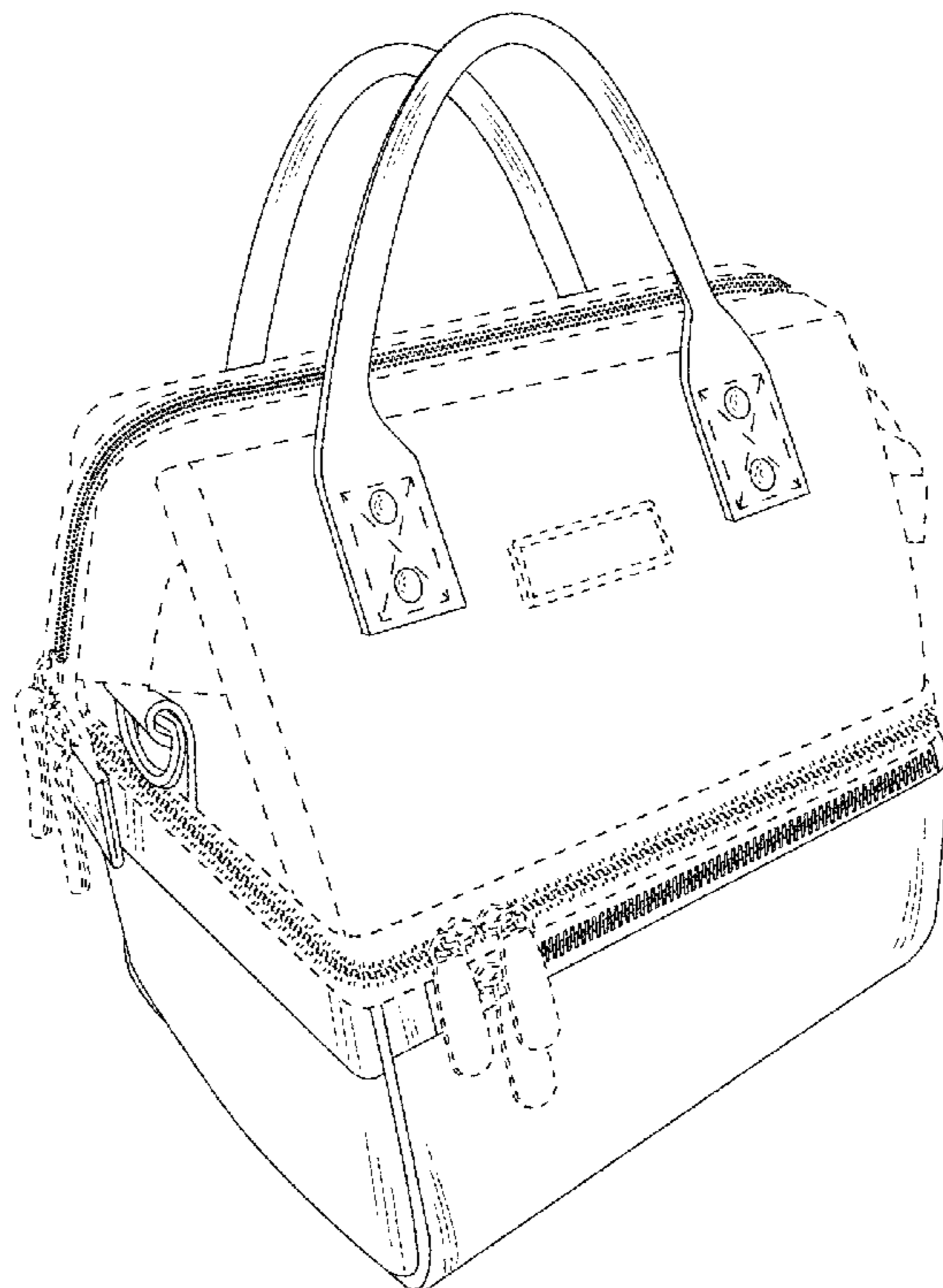
(57) **CLAIM**

The ornamental design for a lunch bag, as shown and described.

**DESCRIPTION**

FIG. 1 is a perspective view of a lunch bag showing my new design;  
FIG. 2 is a front elevational view thereof;  
FIG. 3 is a rear elevational view thereof;  
FIG. 4 is a left side elevational view thereof;  
FIG. 5 is a right side elevational view thereof;  
FIG. 6 is a top plan view thereof; and,  
FIG. 7 is a bottom plan view thereof.  
The broken lines throughout the drawings represent stitching and form no part of the claimed design. The remainder of the broken lines depict portions of the lunch bag that form no part of the claimed design.

**1 Claim, 7 Drawing Sheets**



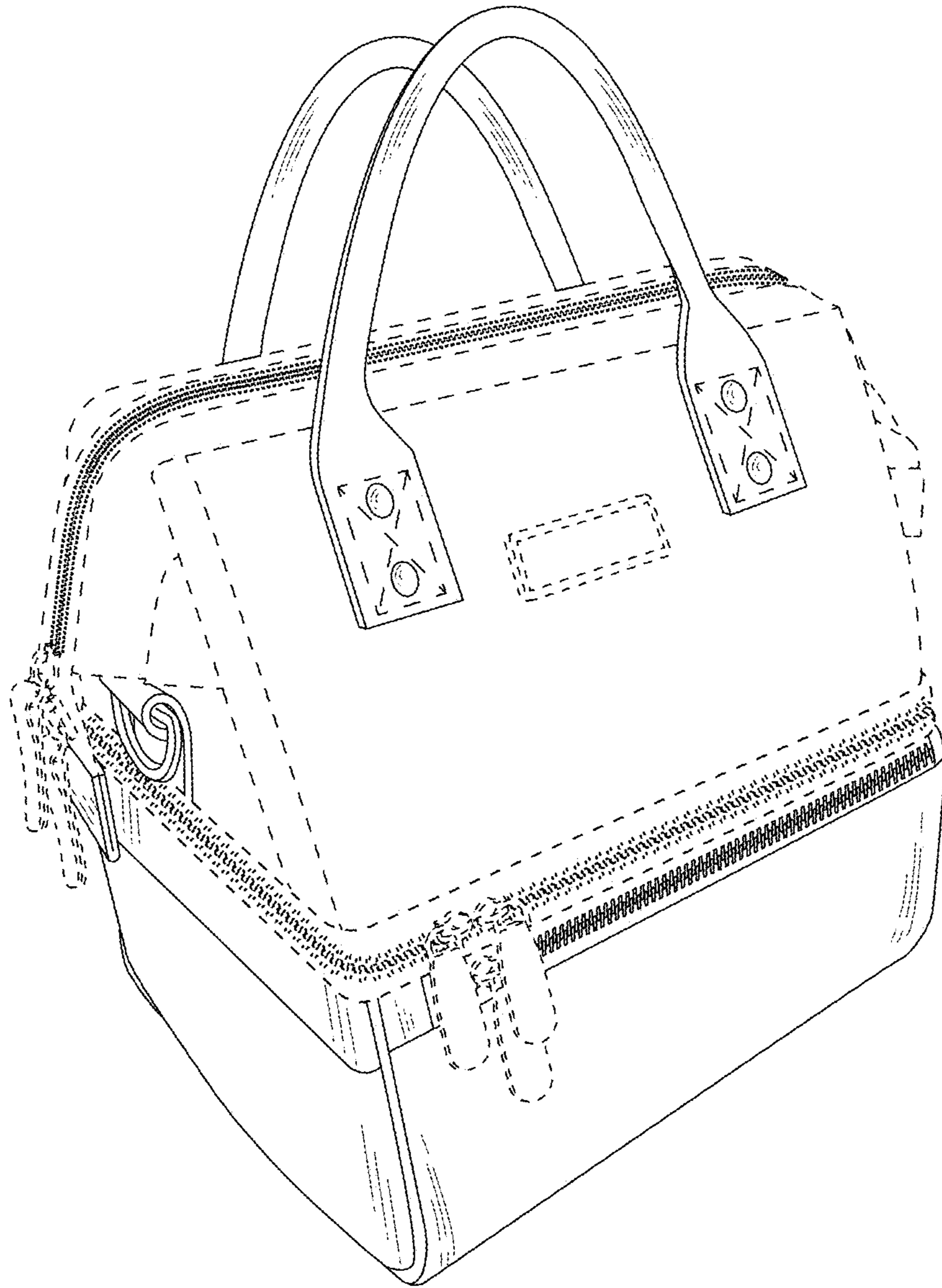


FIG. 1

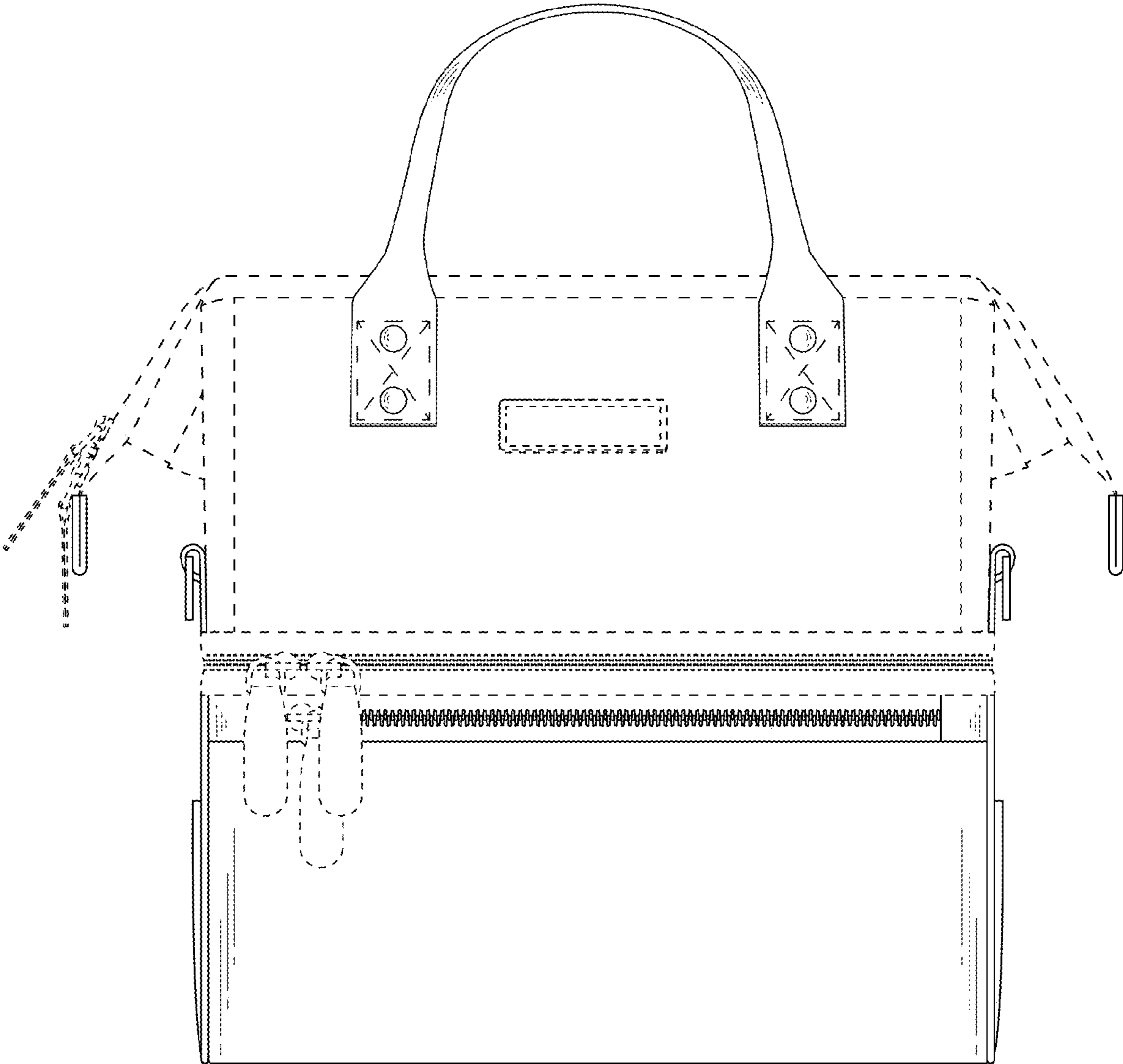


FIG. 2

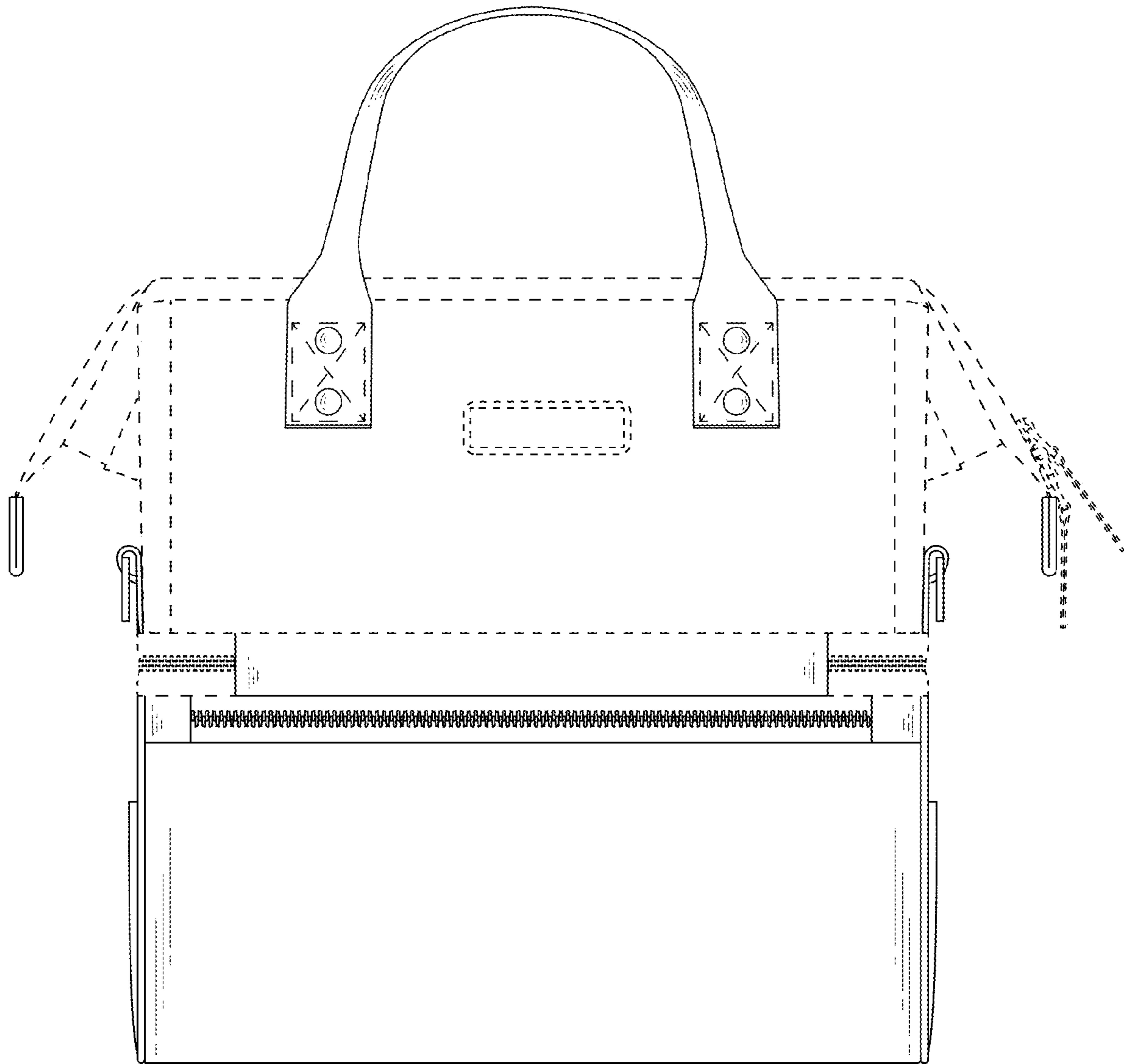


FIG. 3

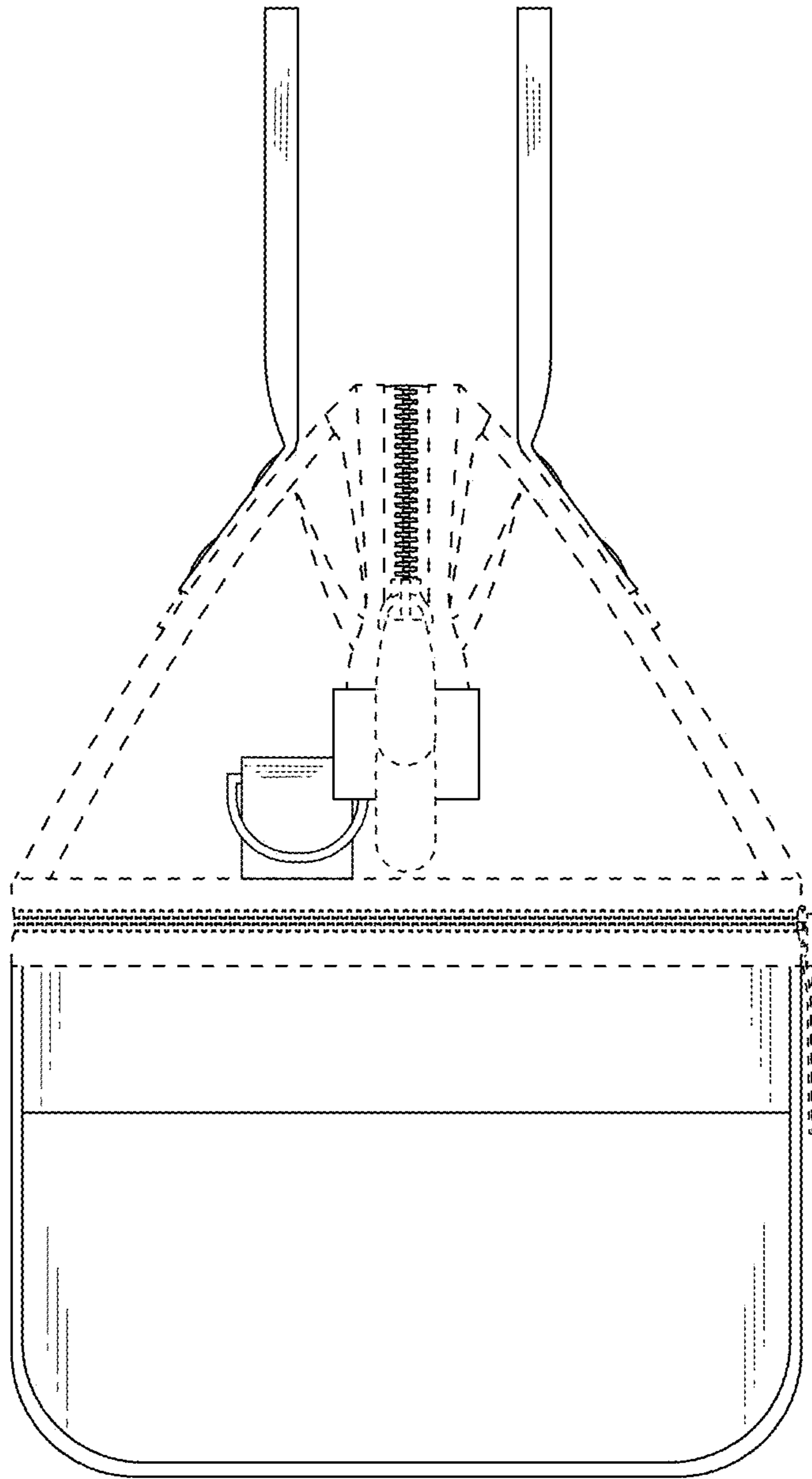


FIG. 4

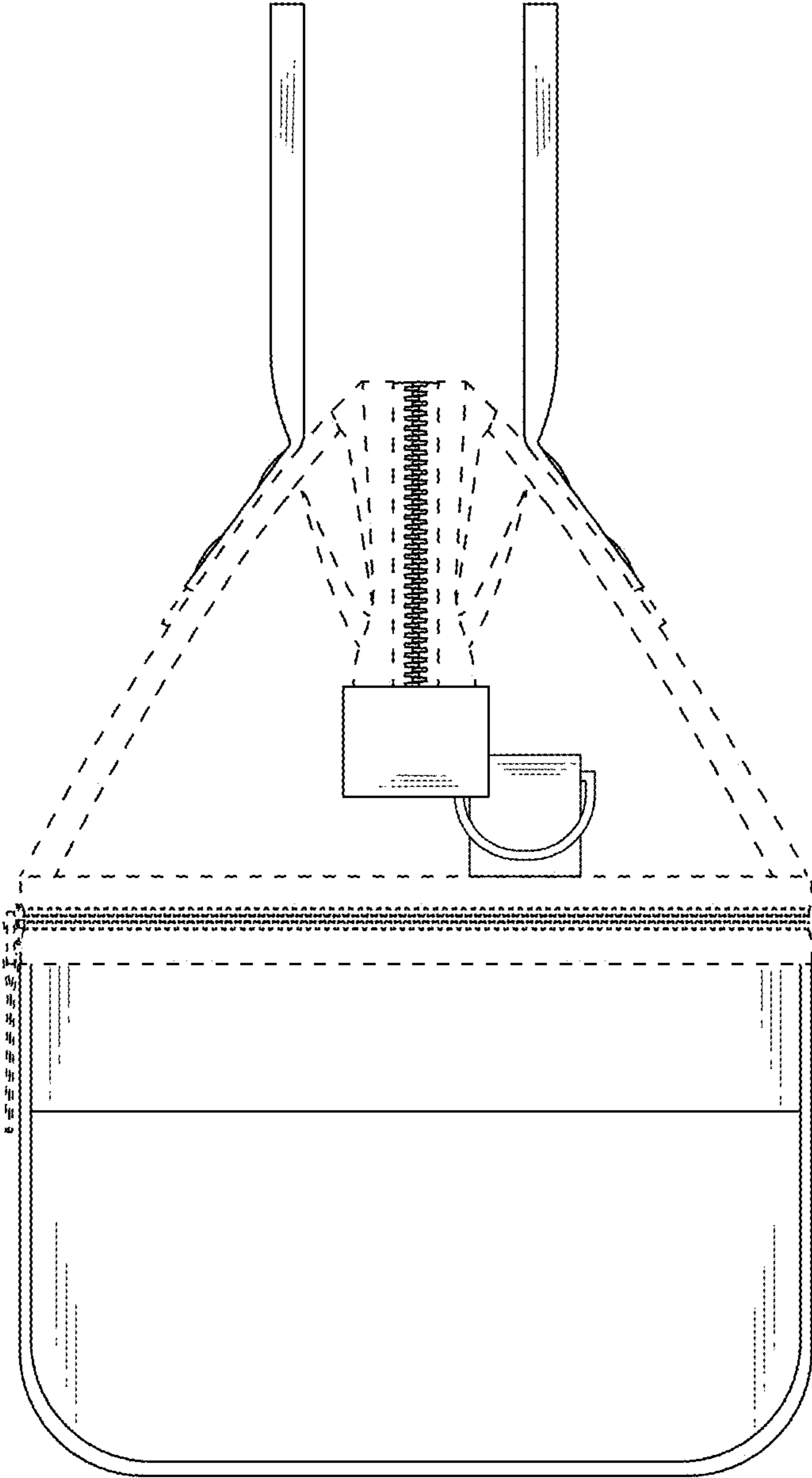


FIG. 5

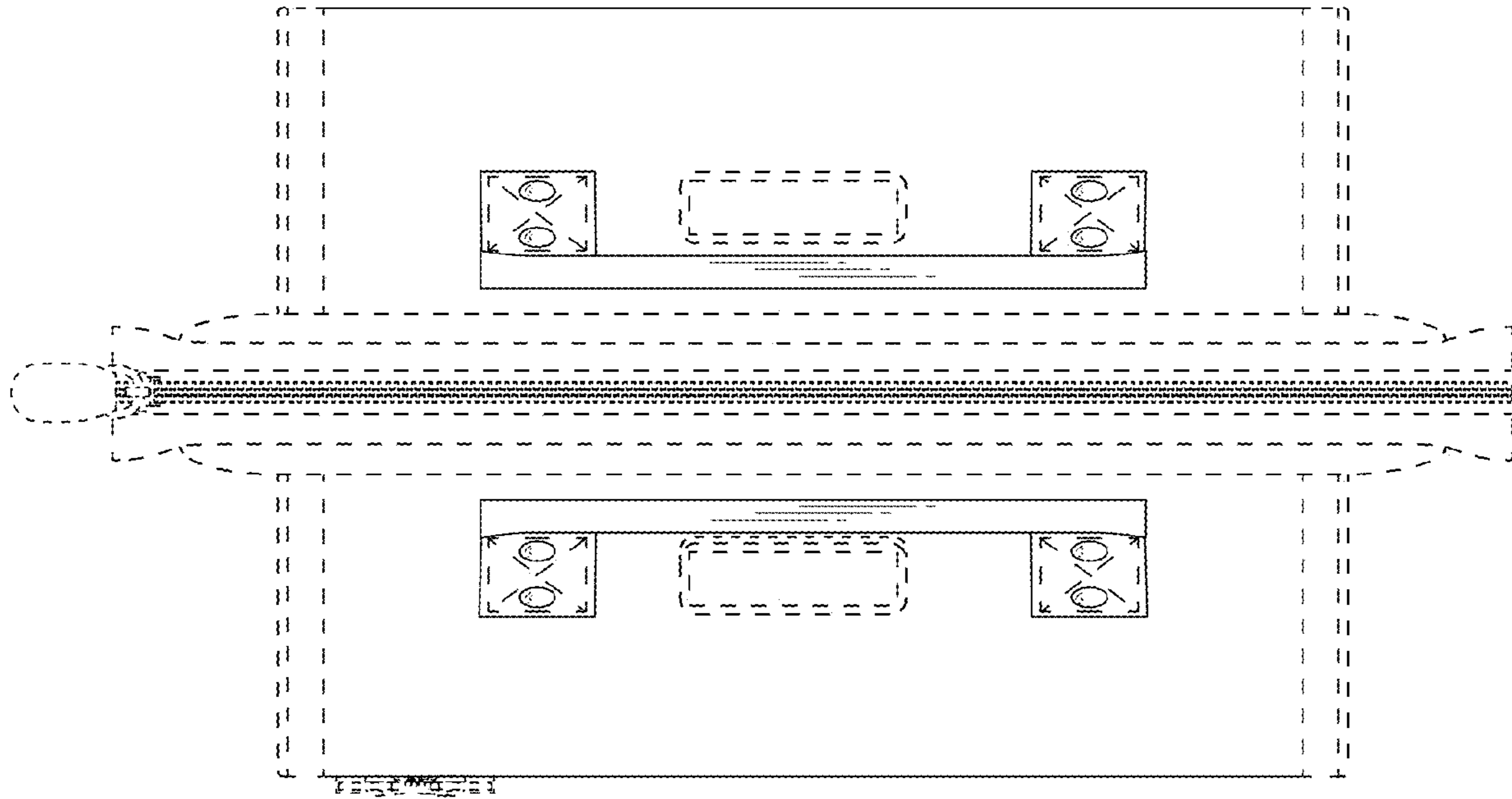


FIG. 6

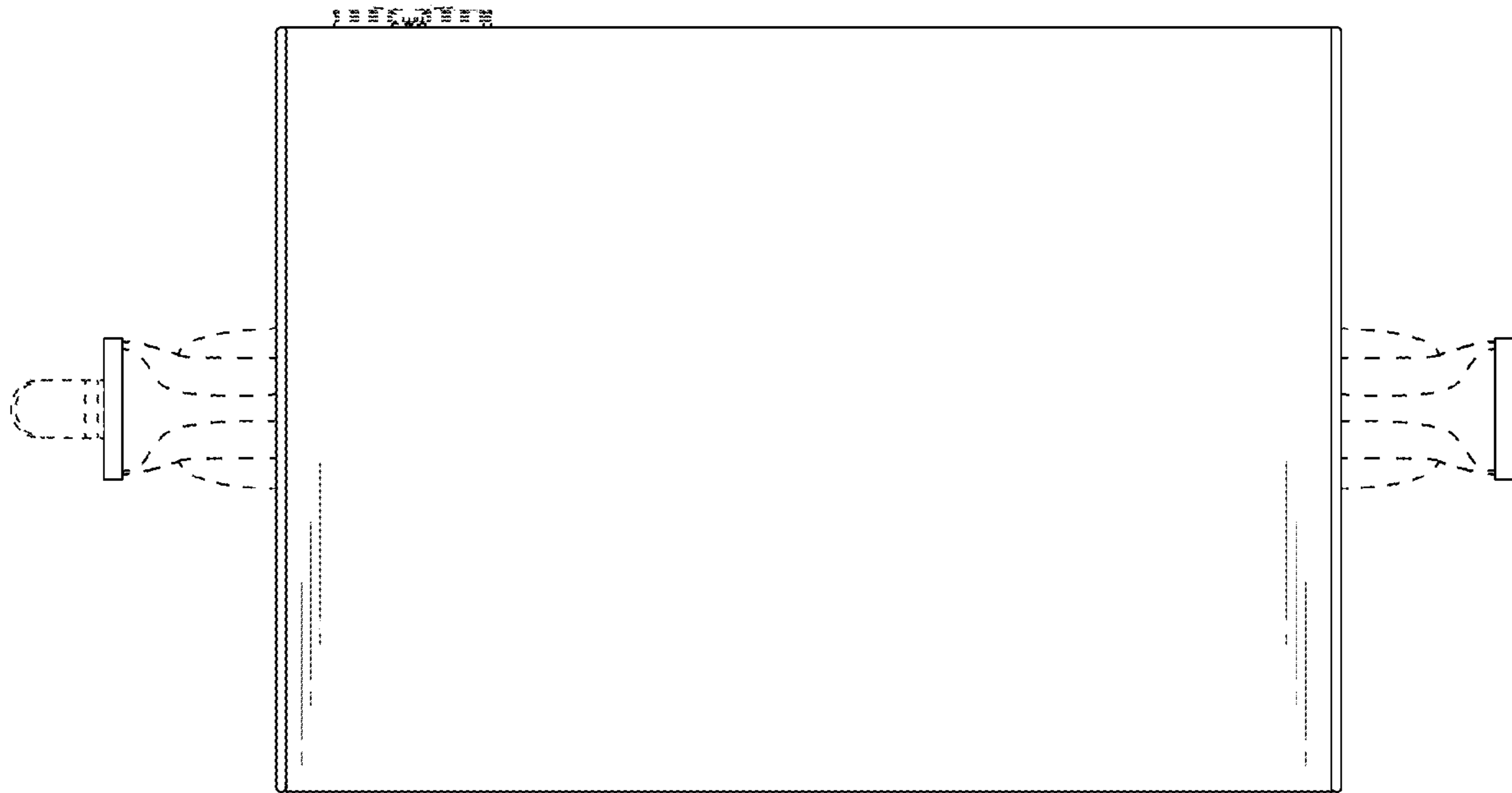


FIG. 7