



US00D962009S

(12) **United States Design Patent** (10) **Patent No.:** **US D962,009 S**
Zhou (45) **Date of Patent:** **** Aug. 30, 2022**

(54) **DROP-IN ICE BUCKET**
(71) Applicant: **Chunchao Zhou**, Hubei (CN)
(72) Inventor: **Chunchao Zhou**, Hubei (CN)
(**) Term: **15 Years**
(21) Appl. No.: **29/795,141**
(22) Filed: **Jun. 17, 2021**
(51) **LOC (13) Cl.** **07-01**
(52) **U.S. Cl.**
USPC **D7/603**
(58) **Field of Classification Search**
USPC D7/603-607; D3/201, 203.1-203.8, 205,
D3/206, 273; D15/79, 81, 83; D99/28,
D99/34
CPC F25D 3/08; F25D 3/02; F25D 3/04; F25D
3/06; F25D 3/14; F25D 3/107; F25D
2331/804; F25D 2331/801; B65D 81/38;
B65D 81/3813; B65D 81/3816; B65D
81/3818; B65D 81/382; B65D 81/3823;
B65D 81/3825; B65D 81/3827; B65D
81/383; B65D 81/3832; B65D 81/3824;
B65D 81/3848; B65D 81/3851; B65D
81/3853; B65D 81/3855; B65D 81/3858;
B65D 81/386; B65D 81/3862; B65D
81/3874; A45C 11/20; A45C 3/00; A45C
2003/008
See application file for complete search history.

(56) **References Cited**
U.S. PATENT DOCUMENTS
1,480,831 A * 1/1924 Arthurg F25D 3/02
224/42.32
D132,962 S * 7/1942 Salomen D6/705
D299,391 S * 1/1989 Meehan D6/661
D340,624 S * 10/1993 Chen D7/709
D343,092 S * 1/1994 Knackstedt D15/89
D343,993 S * 2/1994 Derrickson D3/282

5,671,991 A * 9/1997 Grant F25D 23/062
312/401
D446,012 S * 8/2001 Ashiwa D3/273
6,405,556 B1 * 6/2002 Bucholz F25D 3/06
62/457.2
D478,208 S * 8/2003 Cassel D3/273
(Continued)

OTHER PUBLICATIONS

Amazon.com, Karpevta Drop-In Ice Chest Stainless Steel, Brand: Karpevta, ASIN: B08W2XCF83, 10 pages, earliest available Feb. 6, 2021. (Year: 2021).*

(Continued)

Primary Examiner — Terry A Wallace
(74) *Attorney, Agent, or Firm* — ScienBiziP, P.C.

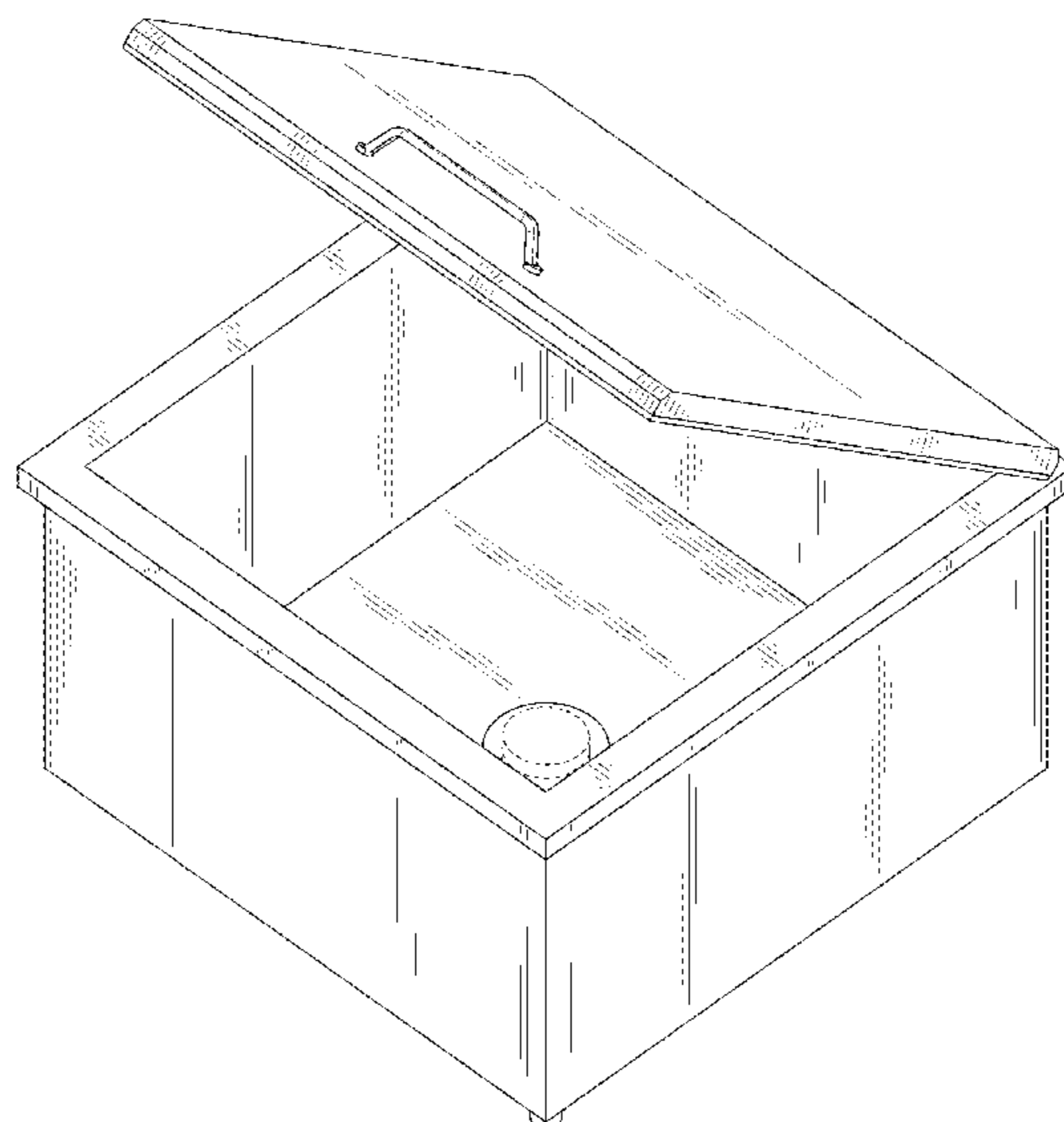
(57) **CLAIM**

The ornamental design for a drop-in ice bucket, as shown and described.

DESCRIPTION

FIG. 1 is a front, right, and top perspective view of a drop-in ice bucket, wherein a top cover is opened, showing my design.
FIG. 2 is a rear, left, and bottom perspective view thereof.
FIG. 3 is a front elevation view thereof.
FIG. 4 is a rear elevation view thereof.
FIG. 5 is a left side elevation view thereof.
FIG. 6 is a right side elevation view thereof.
FIG. 7 is a top plan view thereof.
FIG. 8 is a bottom plan view thereof.
FIG. 9 is a partial enlarged view of an area labeled 9 in FIG. 2 comprising a part of a pipe; and,
FIG. 10 is a front, right, and top perspective view of the drop-in ice bucket, wherein the top cover is closed.
The broken lines shown in the drawings are included for the purpose of illustrating portions of the drop-in ice bucket that form no part of the claimed design.

1 Claim, 10 Drawing Sheets



(56)

References Cited

U.S. PATENT DOCUMENTS

D502,059 S * 2/2005 Bukowski D7/605
D509,230 S * 9/2005 Mount D15/83
D611,771 S 3/2010 Mayer
D891,873 S 8/2020 Burns
2006/0144077 A1 * 7/2006 Morris F25D 3/08
62/530

OTHER PUBLICATIONS

Chunchao Zhou (Inventor), Inventor's publication on Amazon dated Aug. 24, 2020. Please refer to <https://www.amazon.com/gp/product/B08GKZ5MDX>.

* cited by examiner

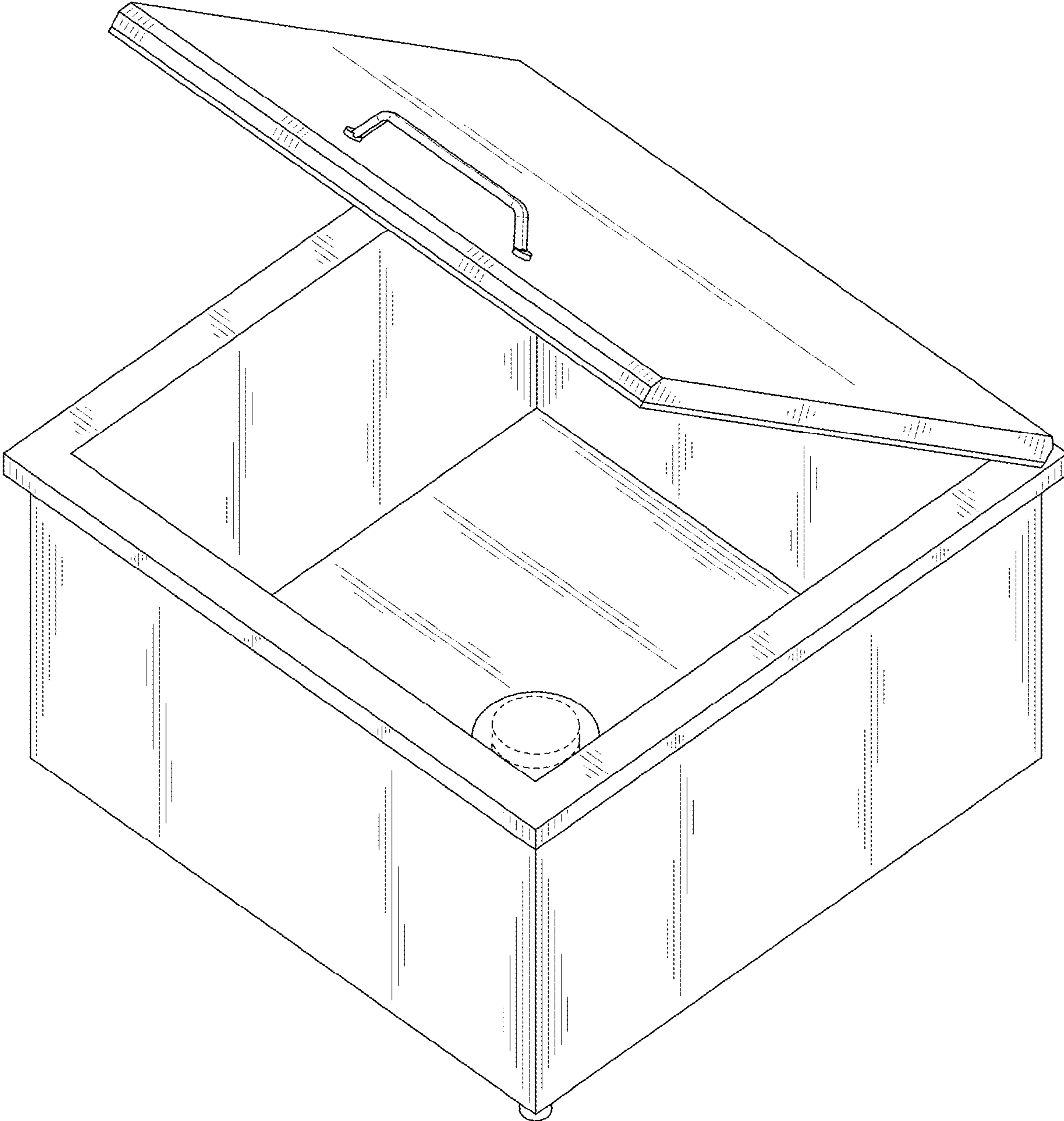


FIG. 1

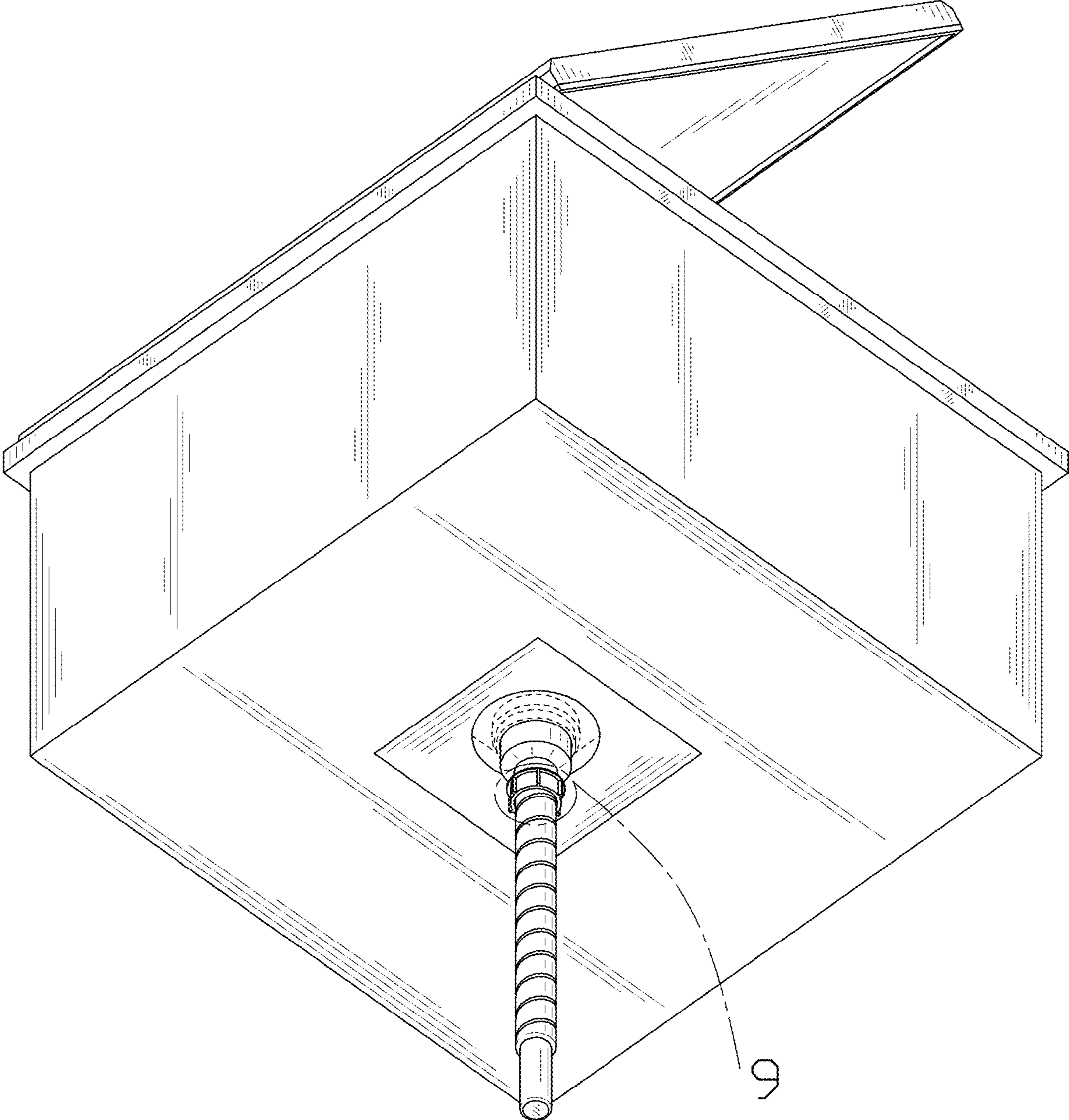


FIG. 2

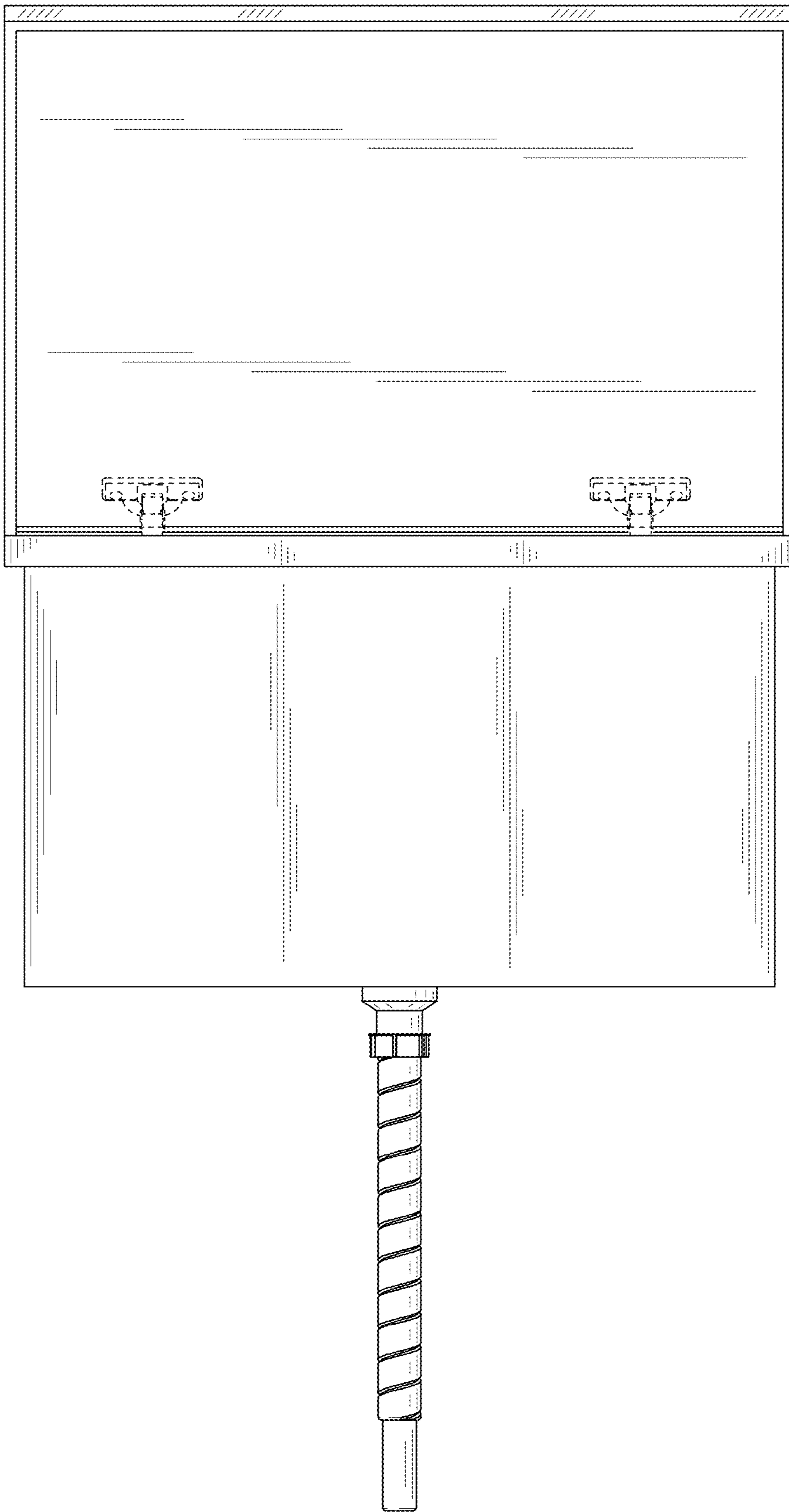


FIG. 3

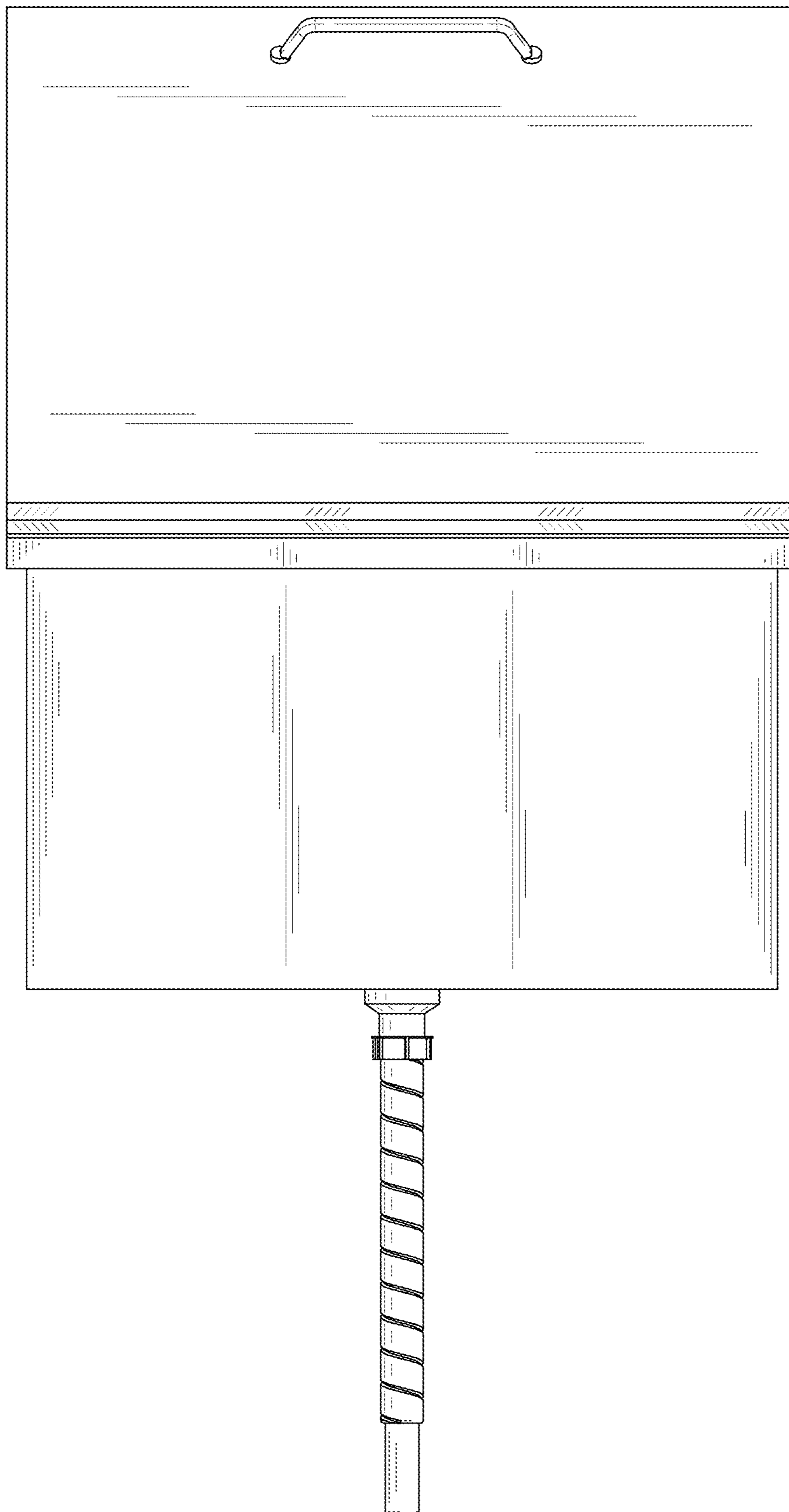


FIG. 4

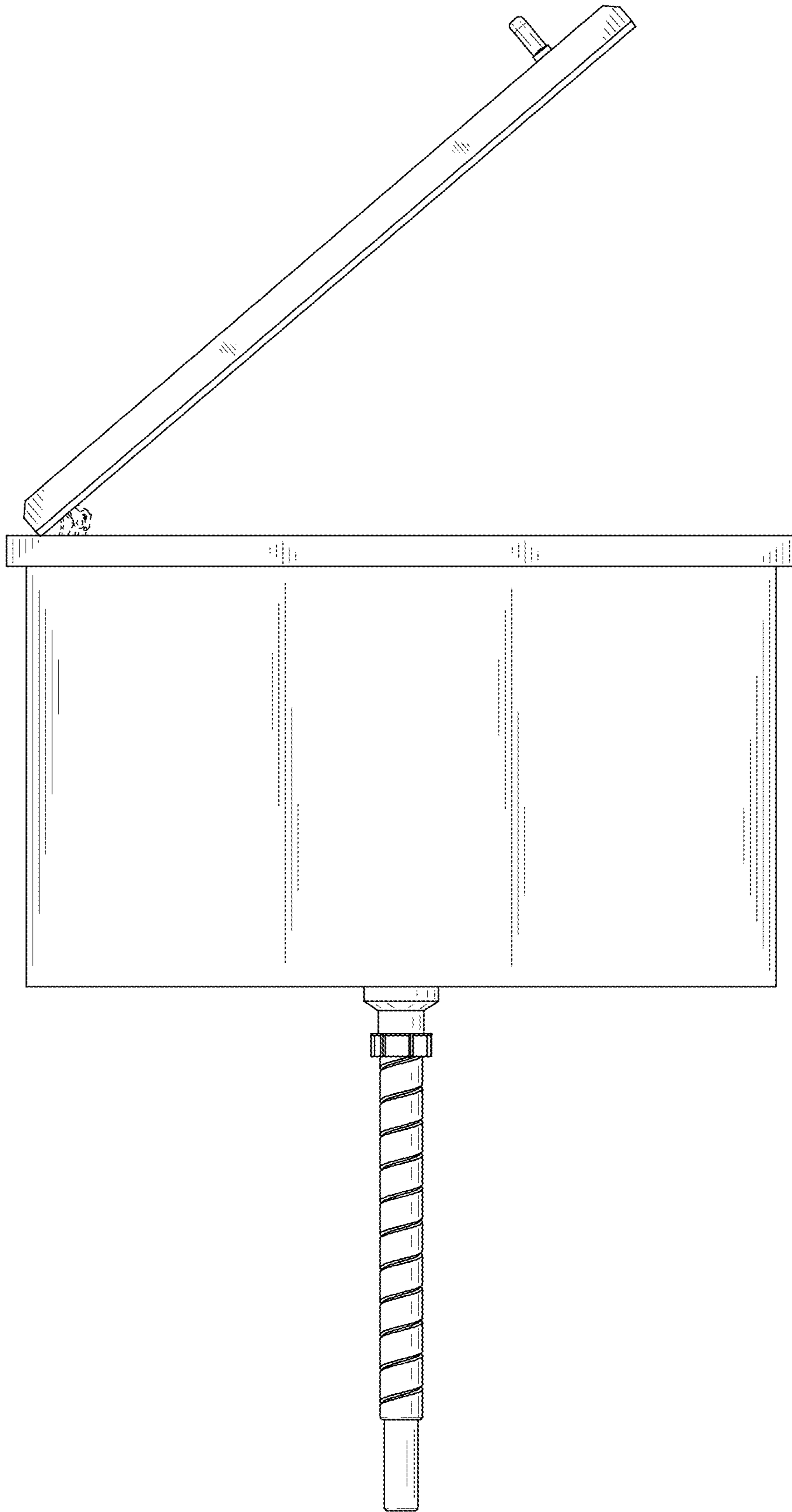


FIG. 5

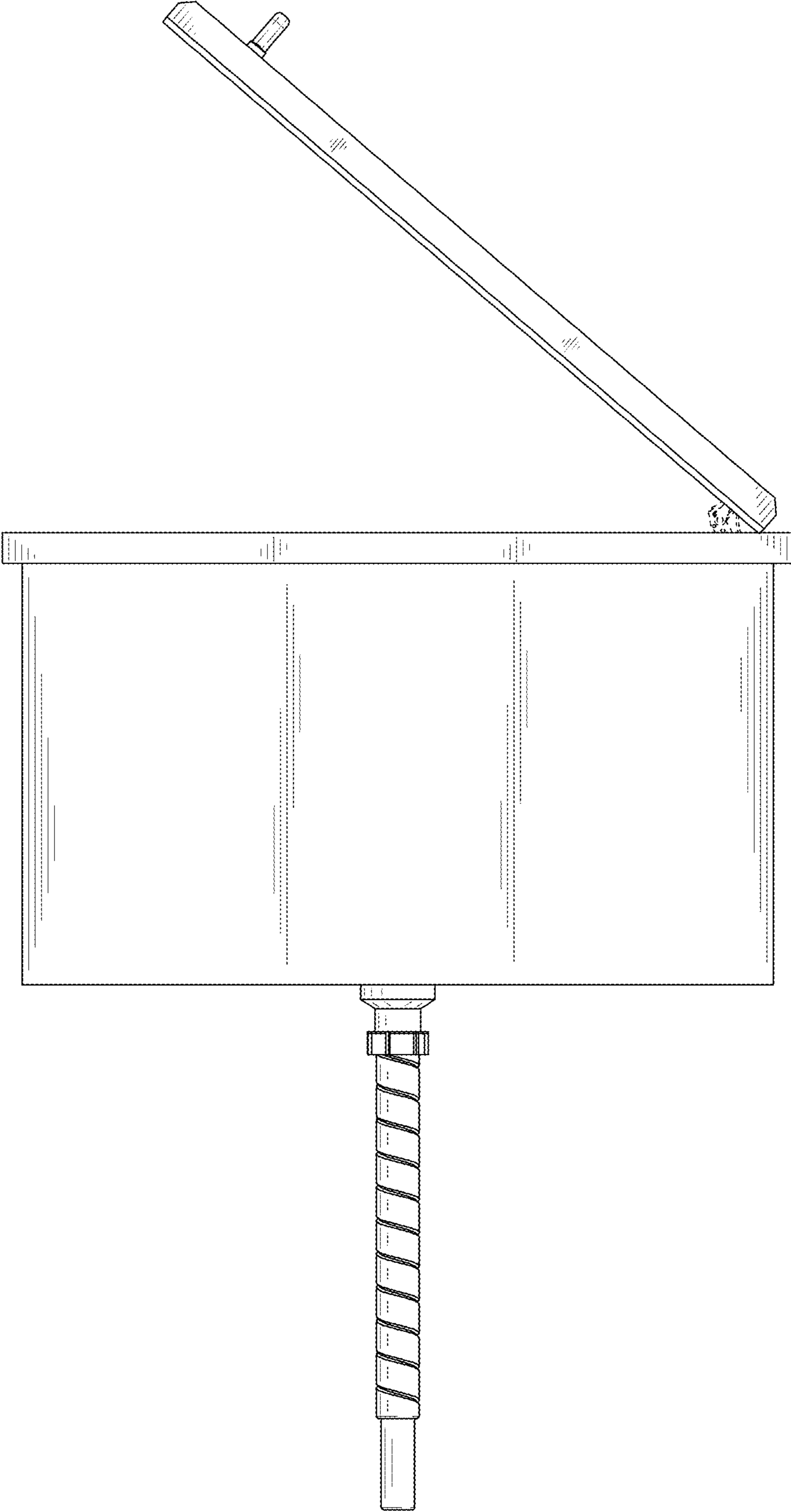


FIG. 6

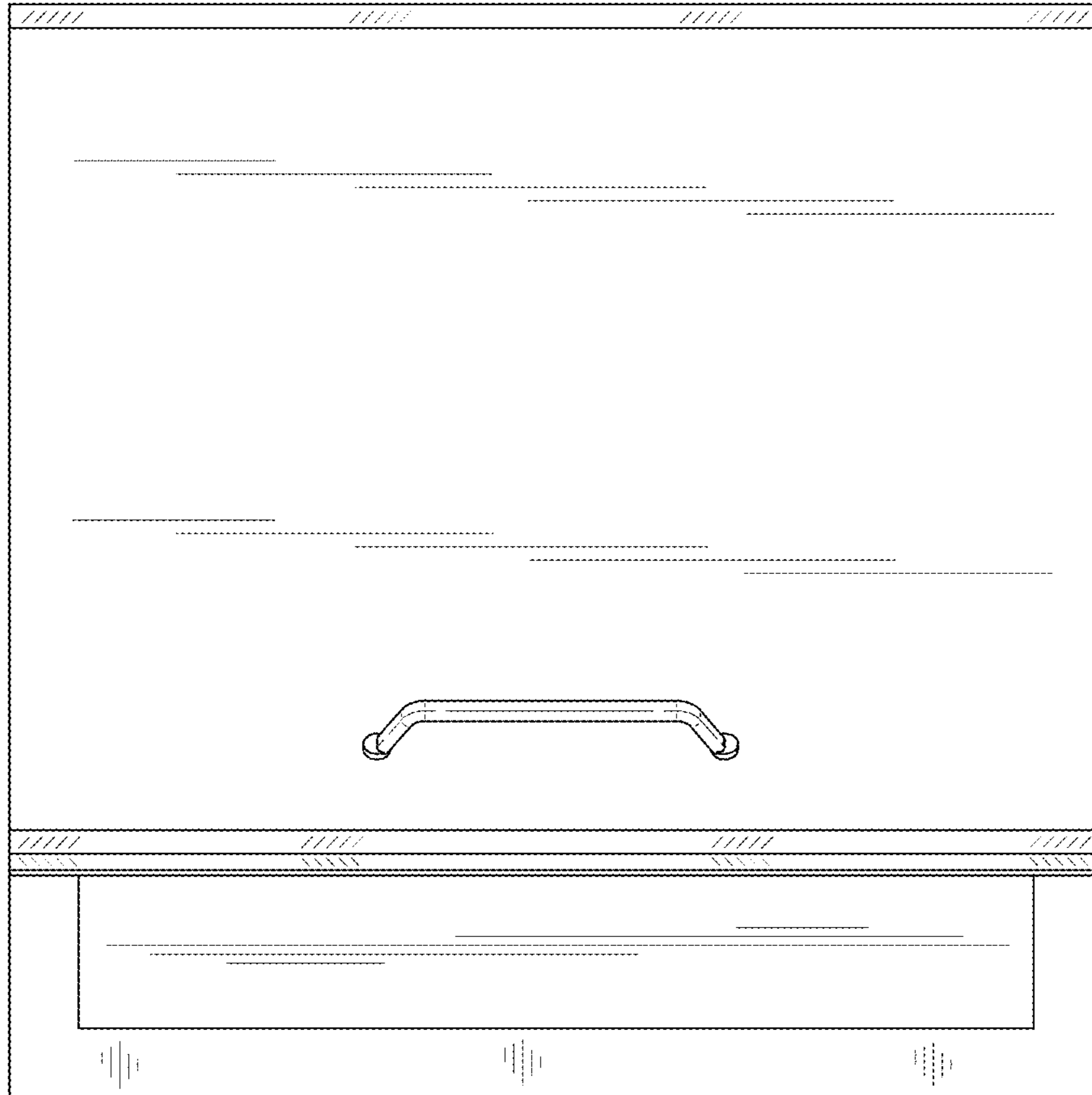


FIG. 7

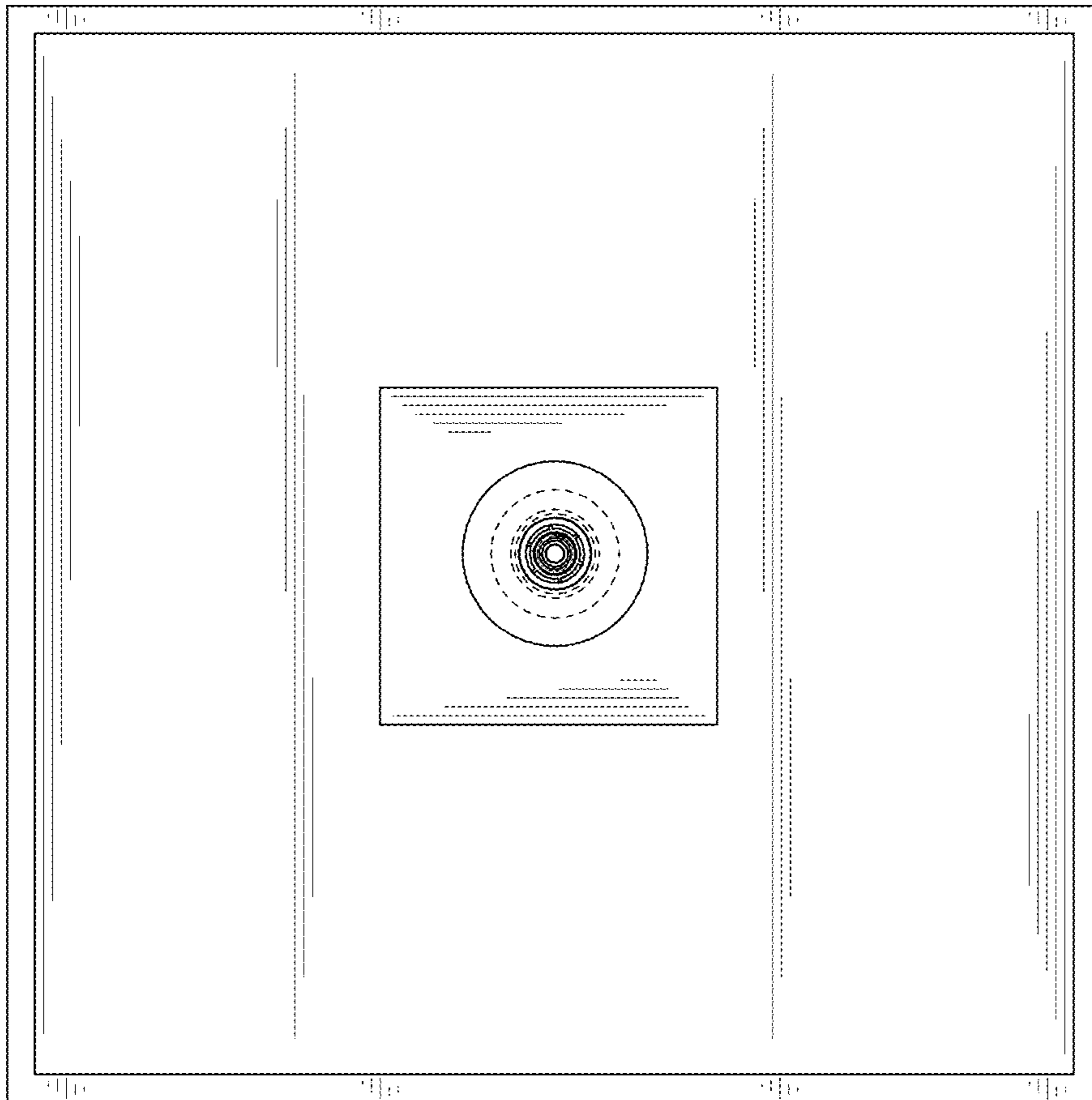


FIG. 8

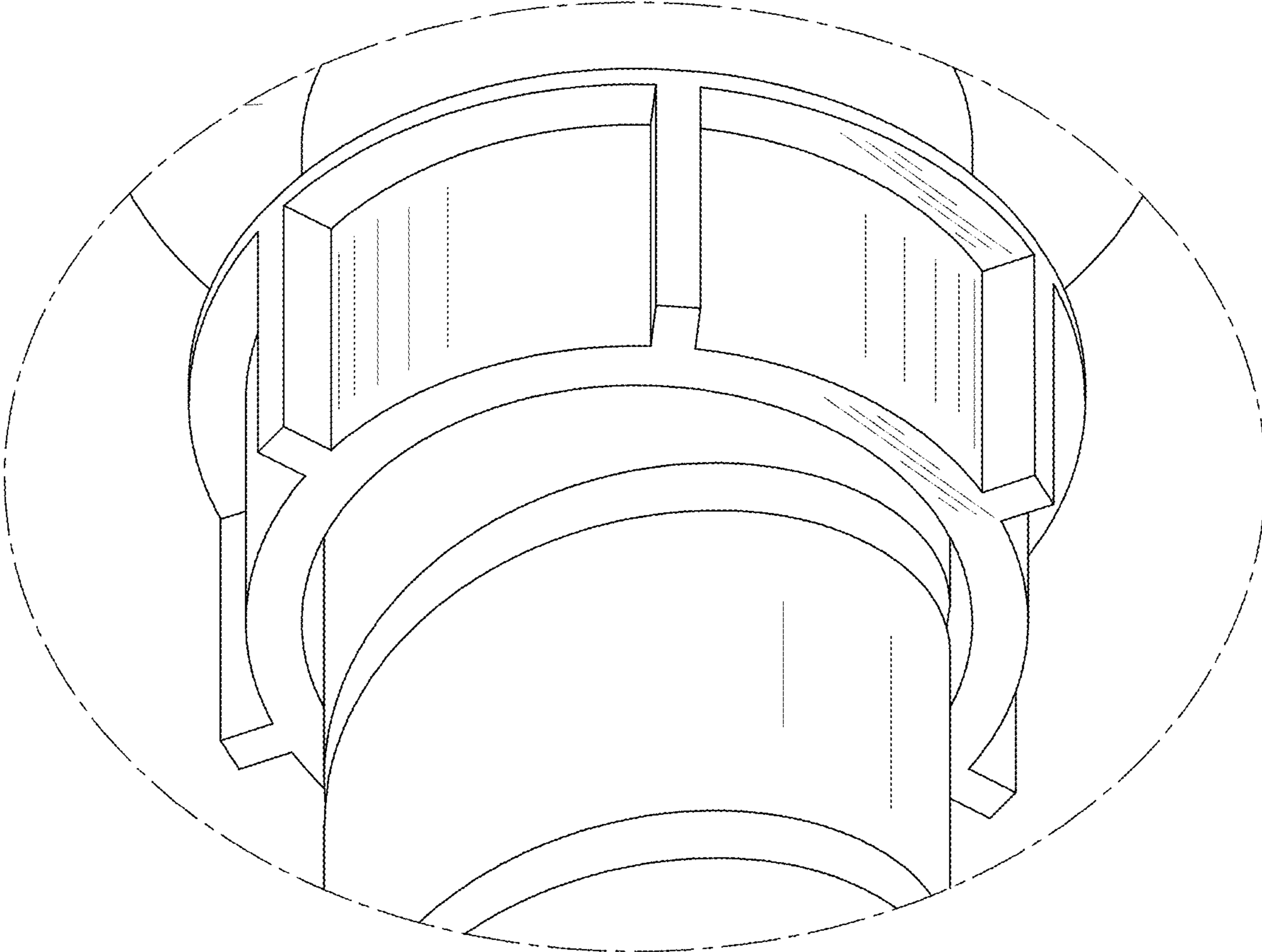


FIG. 9

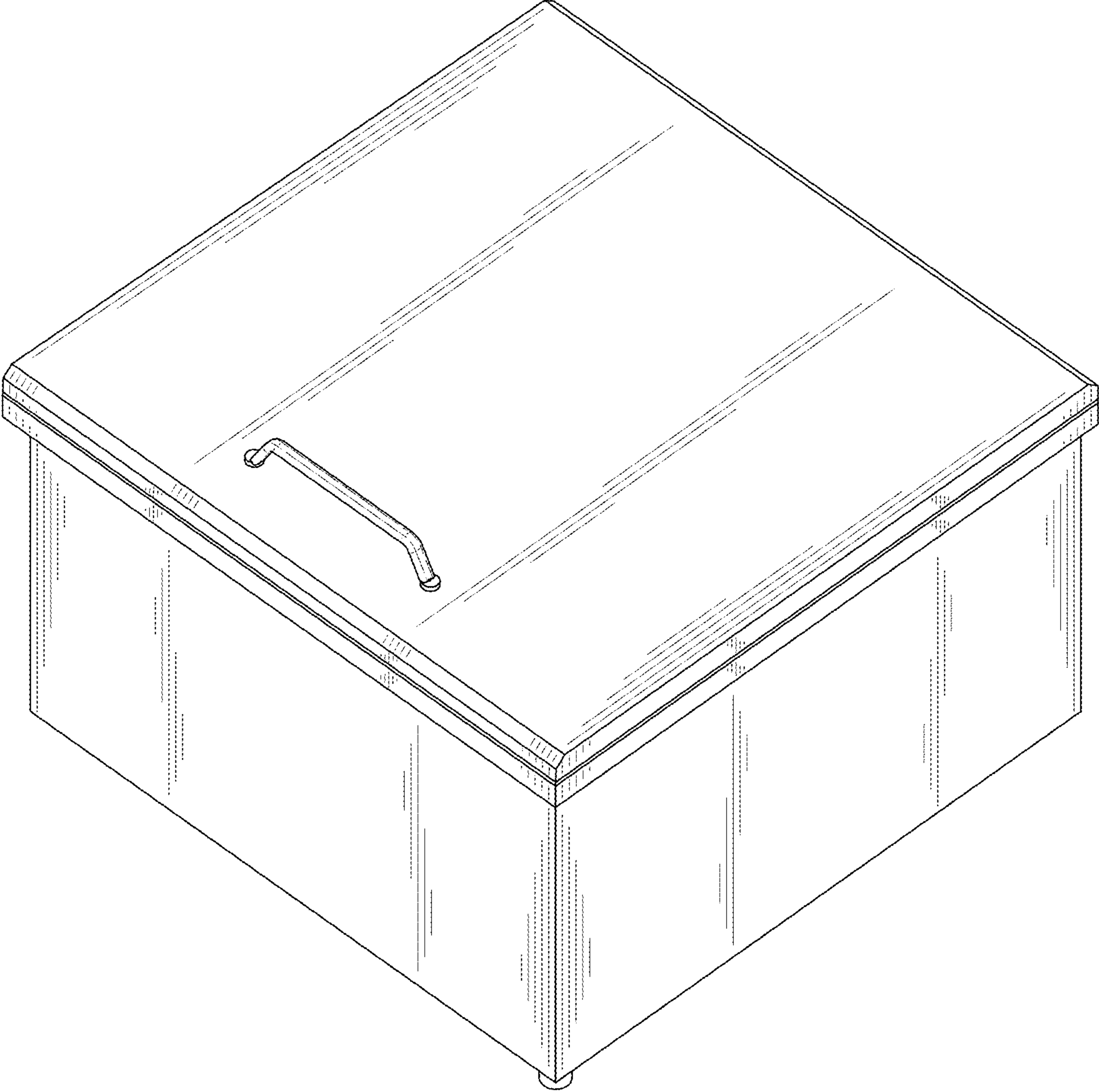


FIG. 10