

US00D962008S

(12) **United States Design Patent** (10) **Patent No.:** **US D962,008 S**
Moore et al. (45) **Date of Patent:** **** *Aug. 30, 2022**

- (54) **FOOD CONTAINER**
- (71) Applicant: **PURA STAINLESS LLC**, Santa Barbara, CA (US)
- (72) Inventors: **Roger P. Moore**, Santa Barbara, CA (US); **Jenifer R. Moore**, Santa Barbara, CA (US)
- (73) Assignee: **PURA STAINLESS LLC**, Santa Barbara, CA (US)
- (*) Notice: This patent is subject to a terminal disclaimer.
- (**) Term: **15 Years**
- (21) Appl. No.: **29/717,905**
- (22) Filed: **Dec. 19, 2019**

D232,302 S *	8/1974	Lazure	D9/761
D332,393 S *	1/1993	Boone	D9/760
D408,222 S *	4/1999	Carter	D7/541
D442,484 S *	5/2001	Maxwell	D7/629
D464,567 S *	10/2002	Baerenwald	D9/432
D472,774 S *	4/2003	Pelstring	D7/629
D474,402 S *	5/2003	Baerenwald	D9/420
D484,364 S *	12/2003	Bailey	D7/357
D515,880 S *	2/2006	Lerner	D7/629
D529,821 S *	10/2006	Wilcox	D9/761
D530,625 S *	10/2006	Darin	D9/761
7,293,695 B2 *	11/2007	Stier	B65D 5/10 206/564
D574,189 S *	8/2008	Stamper	D7/505
D595,155 S *	6/2009	Larson	D9/425
D596,903 S	7/2009	Willis et al.	
D599,611 S *	9/2009	Hoekstra	D7/354
D601,381 S *	10/2009	Stamper	D7/505
D608,153 S *	1/2010	Furlong	D7/602
D615,822 S *	5/2010	Klein	D7/541
D633,341 S *	3/2011	Smyers	D9/425
D643,311 S *	8/2011	Meyers	D9/761
D645,708 S *	9/2011	Stamper	D7/602

(Continued)

Related U.S. Application Data

- (63) Continuation of application No. 29/669,471, filed on Nov. 8, 2018, now Pat. No. Des. 876,903.
- (51) **LOC (13) Cl.** **07-09**
- (52) **U.S. Cl.**
USPC **D7/602; D7/553.2**
- (58) **Field of Classification Search**
USPC D7/541, 589, 598, 600, 629, 505, 555,
D7/602, 553.2, 552; D9/421, 761;
206/563; 229/904
CPC B65D 5/48018; B65D 1/36; B65D 5/10;
B65D 81/3823; B65D 43/0212
See application file for complete search history.

(56) **References Cited**

U.S. PATENT DOCUMENTS

2,924,372 A *	2/1960	Kirkeby	B65D 5/48018 206/563
D224,662 S *	8/1972	Swett	D7/546

Primary Examiner — Cynthia R Underwood

(74) *Attorney, Agent, or Firm* — Knobbe, Martens, Olson & Bear, LLP

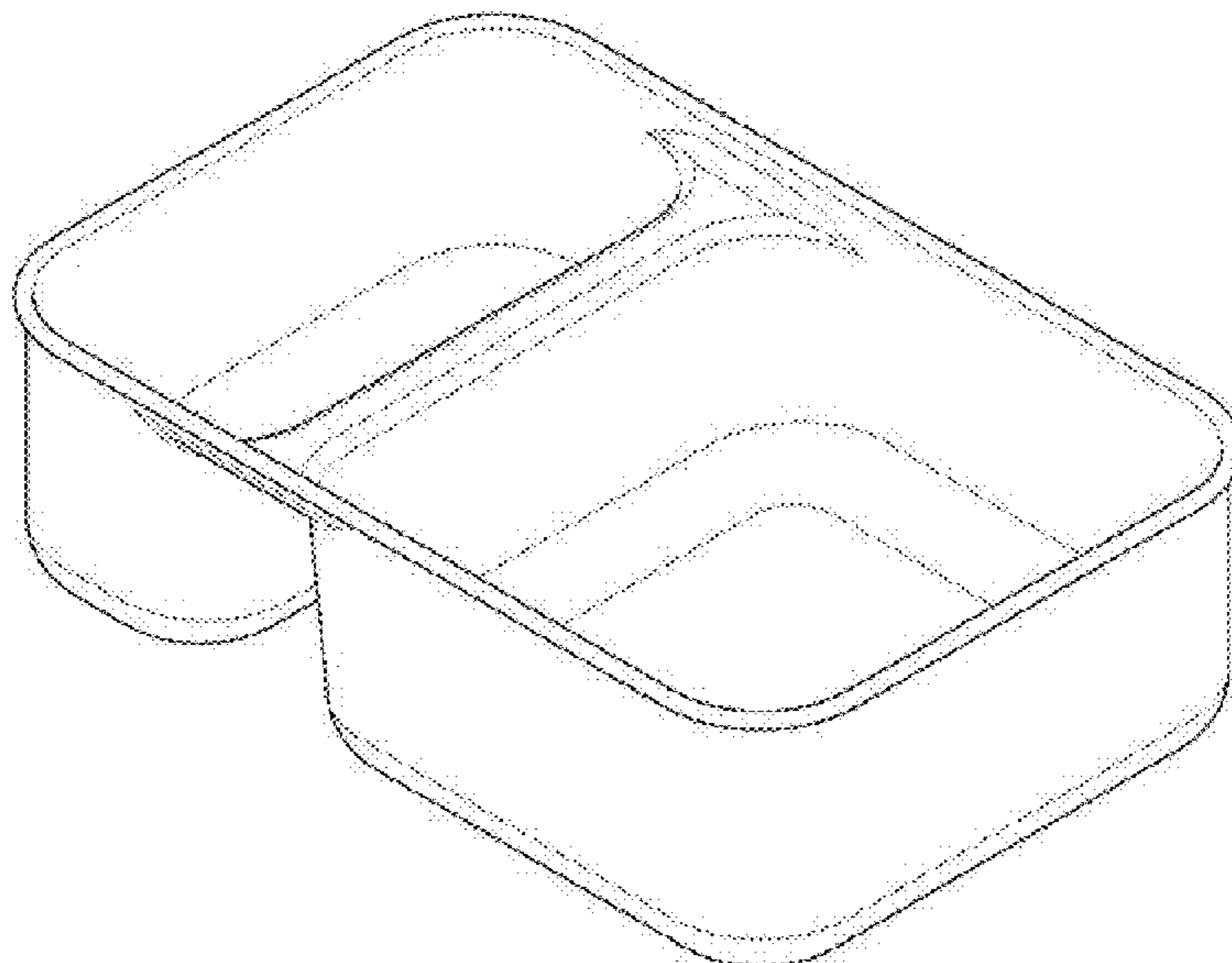
(57) **CLAIM**

The ornamental design for a food container, as shown and described.

DESCRIPTION

FIG. 1 is a front, top, and right side perspective view of a food container embodying our new design.
 FIG. 2 is a front view thereof.
 FIG. 3 is a back side view thereof.
 FIG. 4 is a left side view thereof.
 FIG. 5 is a right side view thereof.
 FIG. 6 is a top view thereof; and,
 FIG. 7 is a bottom view thereof.

1 Claim, 7 Drawing Sheets



(56)

References Cited

U.S. PATENT DOCUMENTS

D649,869 S *	12/2011	Gibson	D9/421	D792,211 S *	7/2017	Foster	D9/425
D650,267 S *	12/2011	Gibson	D9/428	D814,316 S *	4/2018	Overgaag	D9/759
D656,789 S *	4/2012	Locke	D7/541	D831,505 S *	10/2018	McSweeney	D9/756
D659,023 S *	5/2012	Hsu	D9/737	D840,232 S *	2/2019	Sill	D9/456
D665,628 S	8/2012	Mayer			D840,741 S	2/2019	Chen		
D666,058 S *	8/2012	Liang	D7/541	D840,742 S	2/2019	Chen		
D686,499 S *	7/2013	Wilmers	D9/456	D840,743 S	2/2019	Chen		
D688,921 S *	9/2013	Miros	D7/629	D858,203 S	9/2019	Stevenson et al.		
D693,180 S *	11/2013	Peterson	D7/555	D876,903 S *	3/2020	Moore	D7/602
D696,910 S *	1/2014	Franczyk	D7/629	D880,957 S *	4/2020	Xu	D7/629
D698,206 S *	1/2014	Molayem	D7/629	D885,187 S *	5/2020	Sill	D9/456
D713,741 S *	9/2014	Wilmers	D9/761	D891,879 S *	8/2020	Adams, Jr.	D7/629
D734,171 S *	7/2015	Bennett	D9/762	D905,572 S *	12/2020	Flanagan	D9/737
D736,616 S *	8/2015	Suen	D9/425	D909,140 S *	2/2021	Armistead	D7/602
D750,973 S *	3/2016	McSweeney	D9/756	D913,045 S *	3/2021	Samartgis	D7/602
D760,035 S *	6/2016	Kim	D7/629	D915,149 S *	4/2021	Armistead	D7/602
D763,706 S *	8/2016	Shum	D9/737	2005/0124521 A1 *	6/2005	Sadlowski	D06F 39/024 510/295
D764,237 S *	8/2016	Yen	D7/629	2006/0201950 A1 *	9/2006	Liu	B65D 1/36 220/526
D778,115 S *	2/2017	Strachan	D7/553.1	2010/0224531 A1 *	9/2010	Claffy	B65D 81/3823 206/561
D778,155 S *	2/2017	Strachan	D9/432	2020/0262637 A1 *	8/2020	Tattam	B65D 5/12
D778,722 S	2/2017	Strachan							

* cited by examiner

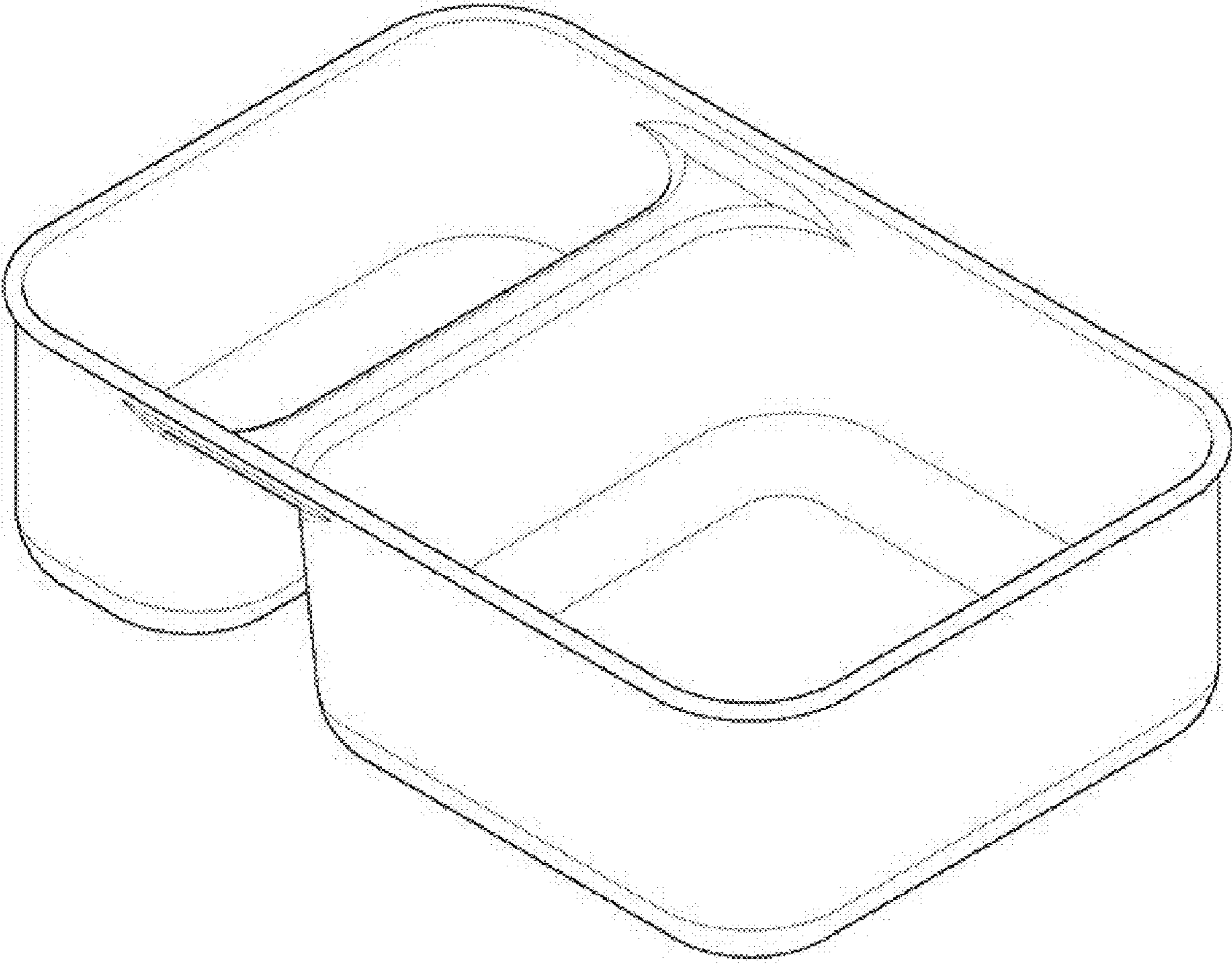


Figure 1

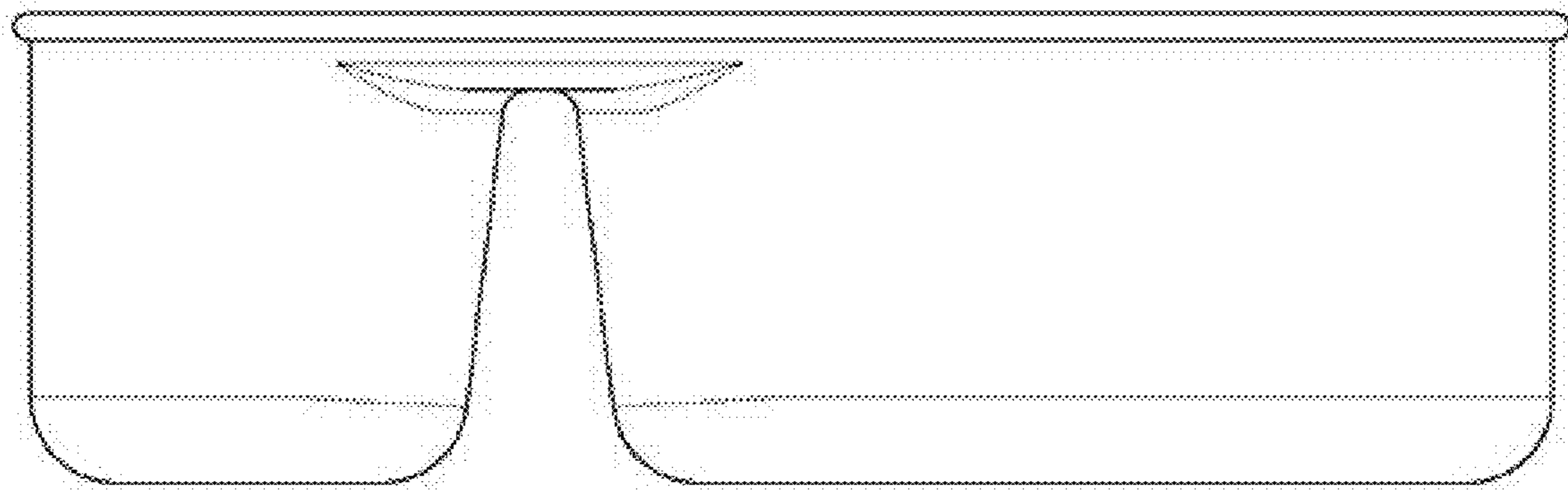


Figure 2

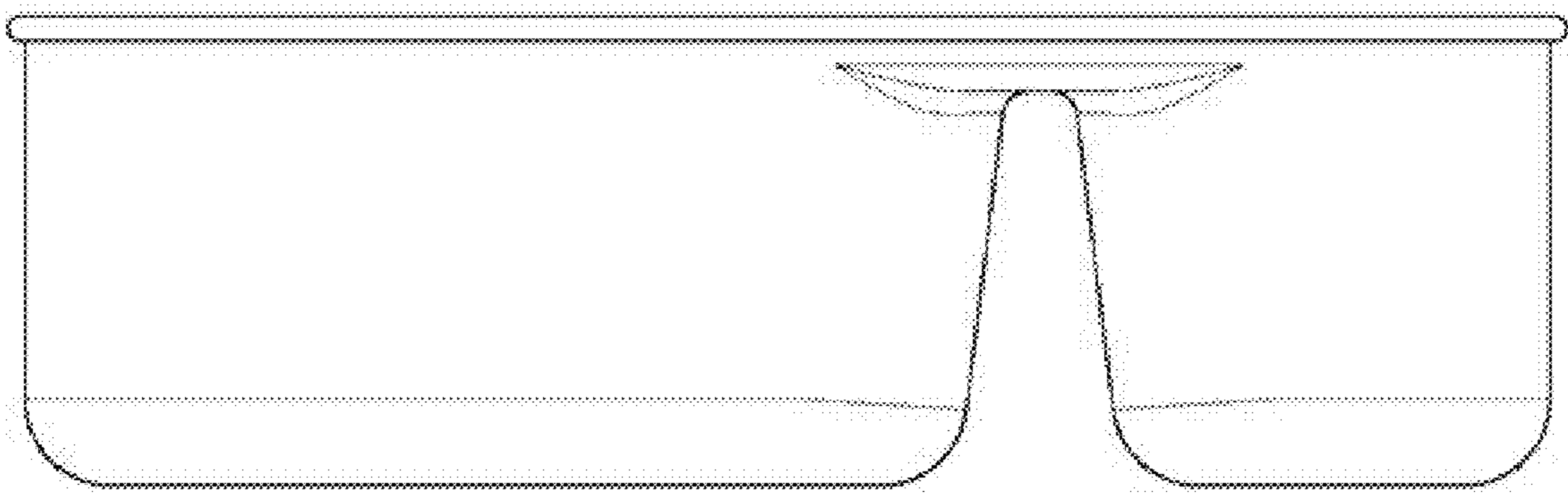


Figure 3

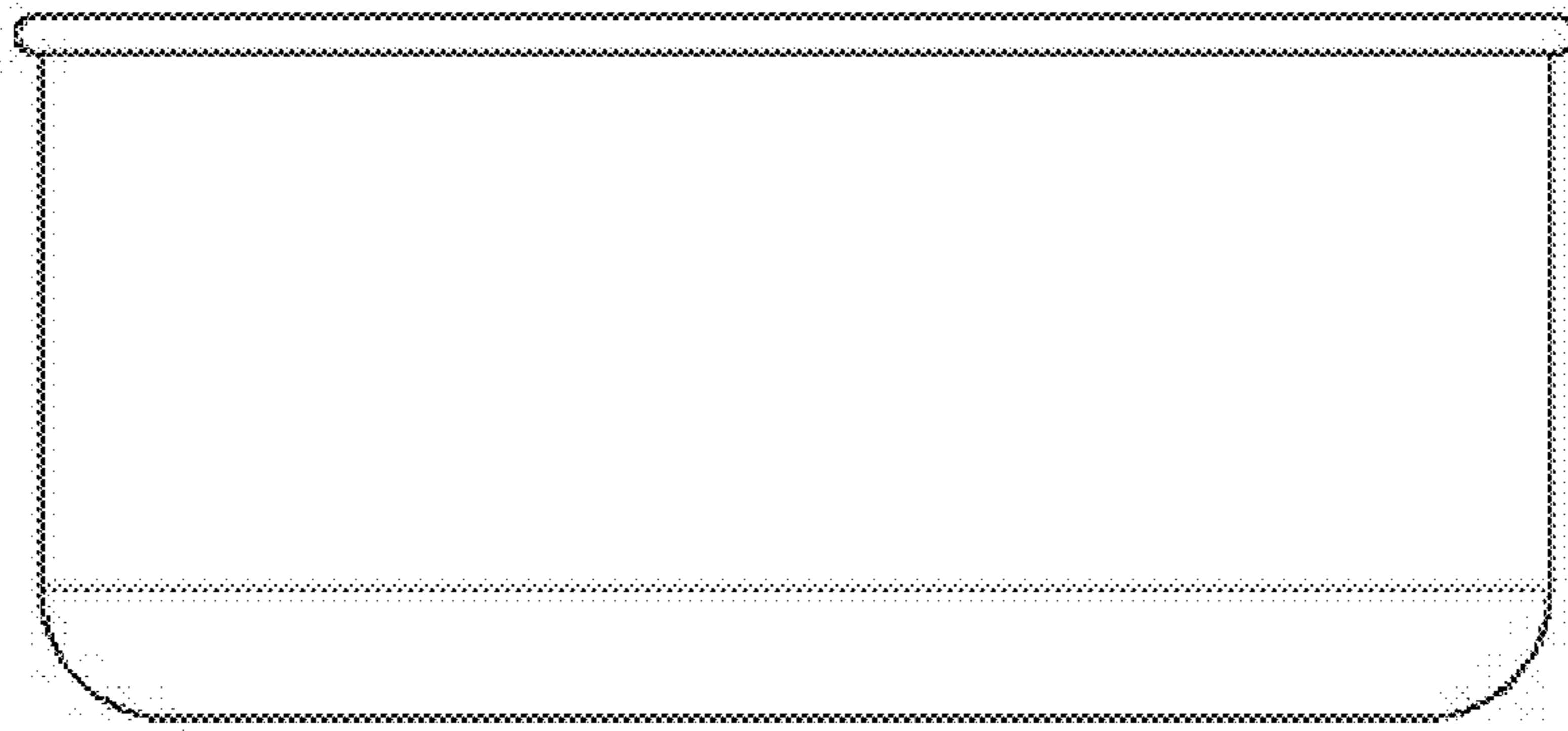


Figure 4

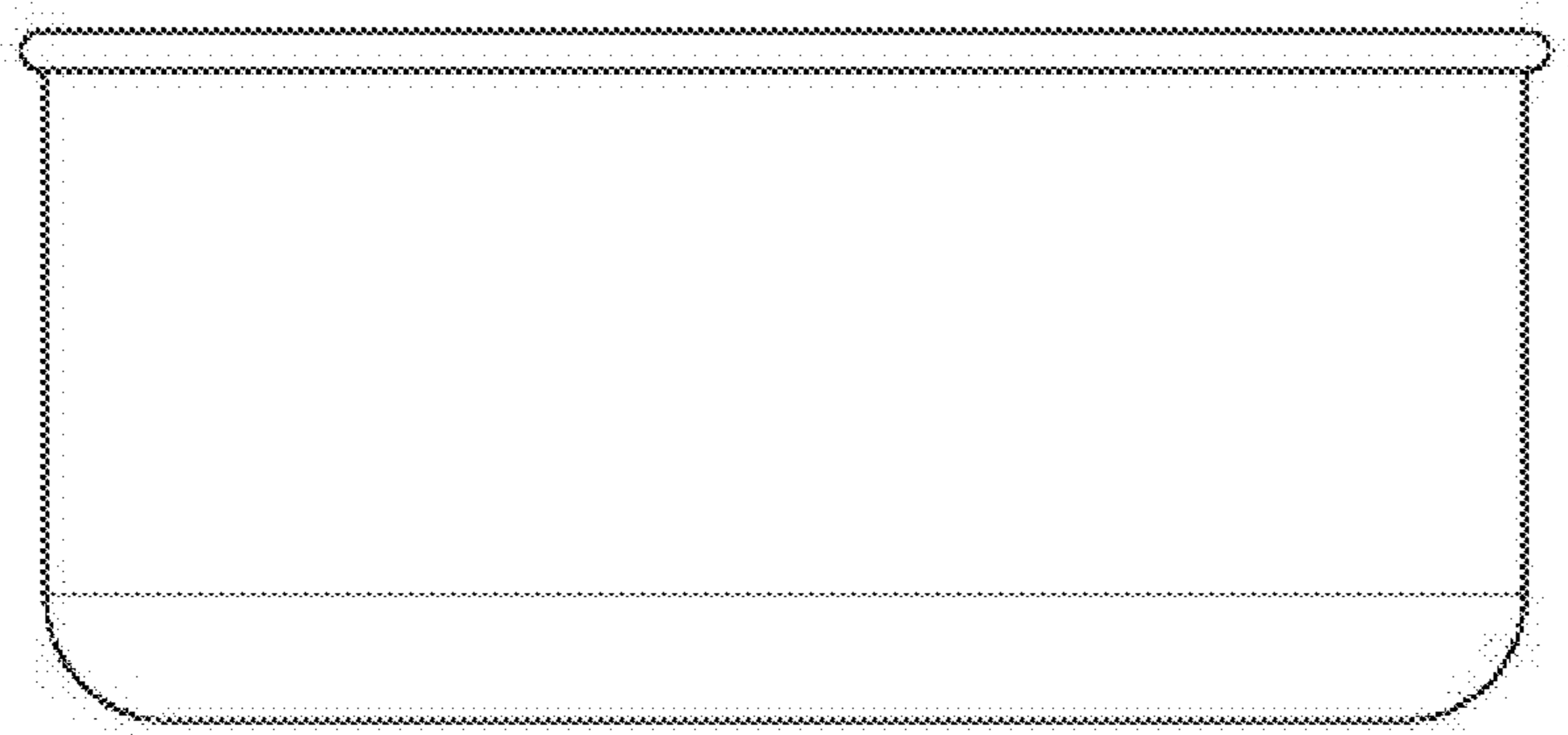


Figure 5

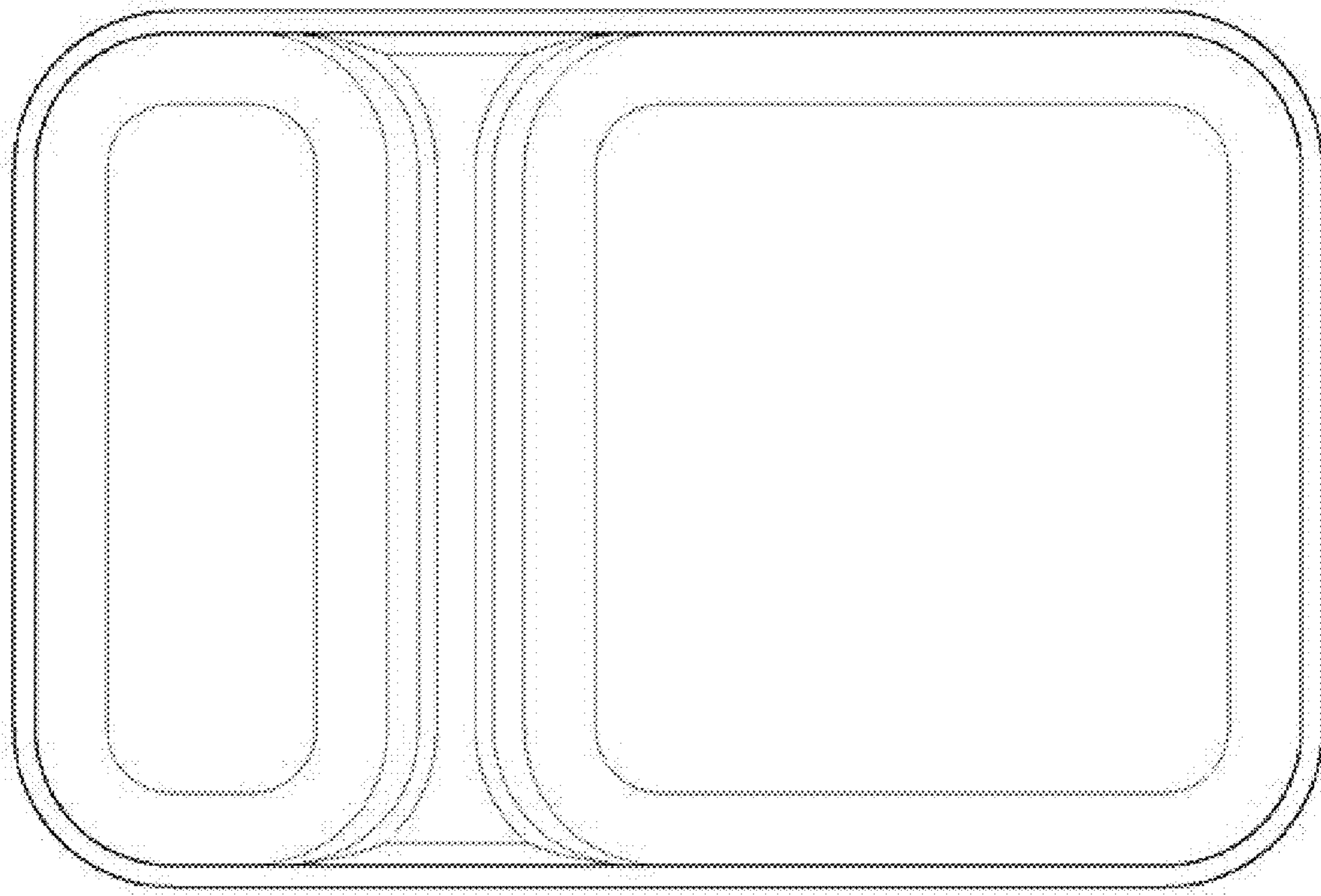


Figure 6

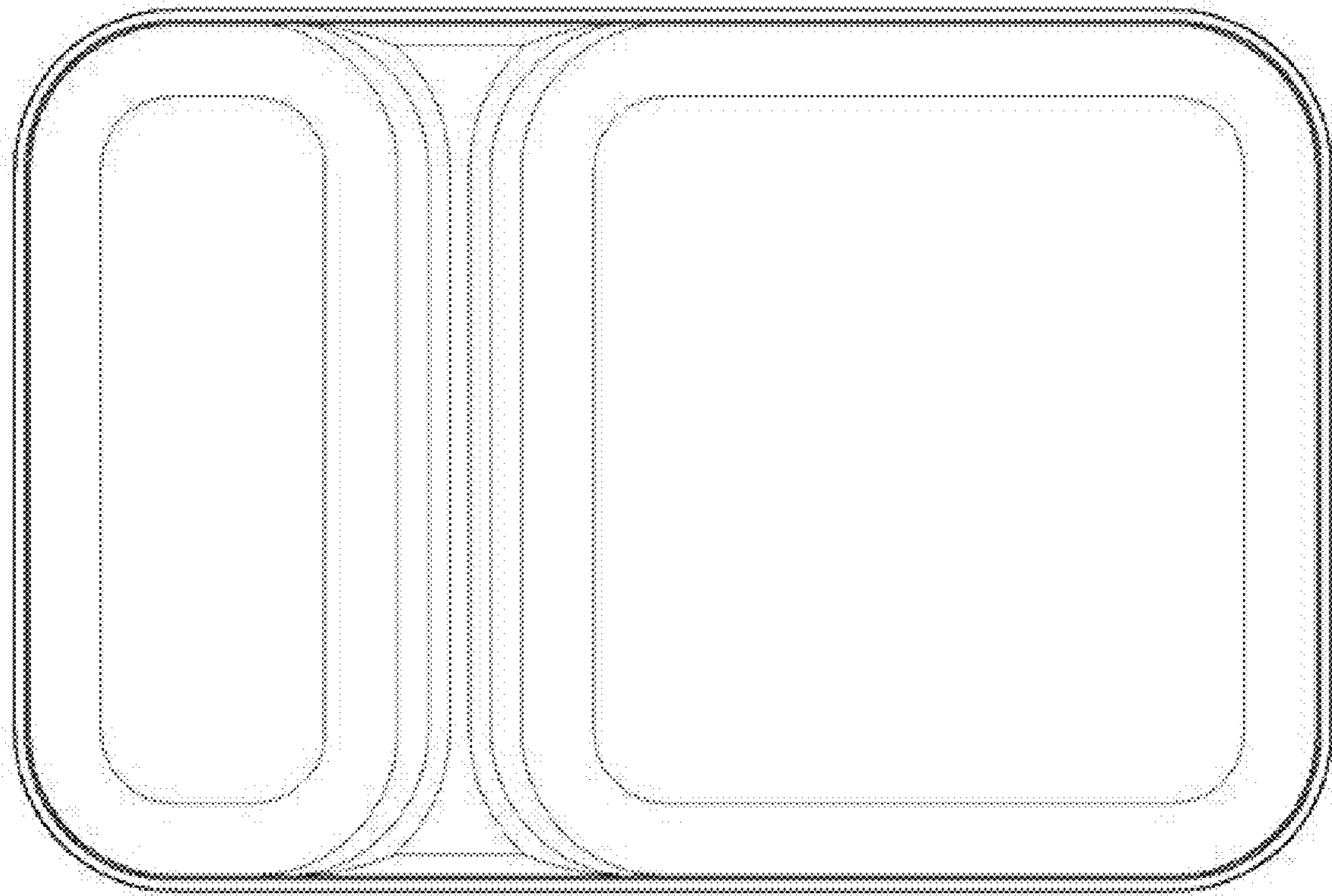


Figure 7