

US00D962007S

(12) **United States Design Patent**
Madanat

(10) **Patent No.:** **US D962,007 S**

(45) **Date of Patent:** **** Aug. 30, 2022**

(54) **SYRUP DISPENSER**

FOREIGN PATENT DOCUMENTS

(71) Applicant: **The International Company for Designs and Innovative Products,**
Amman (JO)

EM 007802392-0004 * 10/2020
GB 9007802392-0004 * 4/2020

(72) Inventor: **Sahar Anis Madanat,** Amman (JO)

OTHER PUBLICATIONS

(73) Assignee: **The International Company for Designs and Innovative Products,**
Amman (JO)

450 ml Pharmaceutical Bottle, Ashoka Glass Agency, indiamart.com, author and date unlisted © 1996-2021 Indiamart Intermesh Ltd., Inc., online, site visited Jul. 27, 2021. Available at URL: <https://www.indiamart.com/proddetail/pharma-pet-bottles-22389375091.html> (Year: 2021).*

(**) Term: **15 Years**

(Continued)

(21) Appl. No.: **29/731,072**

Primary Examiner — Holly E Thurman
Assistant Examiner — Altaira J Swangin

(22) Filed: **Apr. 10, 2020**

(74) *Attorney, Agent, or Firm* — Rahman LLC

(51) **LOC (13) Cl.** **07-06**

(52) **U.S. Cl.**
USPC **D7/598; D9/764**

(57) **CLAIM**

The ornamental design for a syrup dispenser, as shown and described.

(58) **Field of Classification Search**

DESCRIPTION

USPC D7/552.2, 596, 598, 602, 610, 612,
D7/629-630, 701, 707; D9/424-425,
D9/428-429, 519, 523-525, 529,
D9/544-545, 549, 574, 764, 766, 905;
D26/10; D11/184; D6/534, 677.1
CPC A47G 19/26; A47G 19/265; A47G
2400/061; A47G 2023/0691
See application file for complete search history.

FIG. 1 is a top perspective view of a syrup dispenser of the claimed design;
FIG. 2 is a bottom perspective view of a syrup dispenser of the claimed design;
FIG. 3 is a front view of a syrup dispenser of the claimed design;
FIG. 4 is a rear view of a syrup dispenser of the claimed design;
FIG. 5 is a right-side view of a syrup dispenser of the claimed design;
FIG. 6 is a left-side view of a syrup dispenser of the claimed design;
FIG. 7 is a top view of a syrup dispenser of the claimed design; and,
FIG. 8 is a bottom view of a syrup dispenser of the claimed design.
The dashed lines shown in the drawings depict portions of the syrup dispenser that form no part of the claimed design.

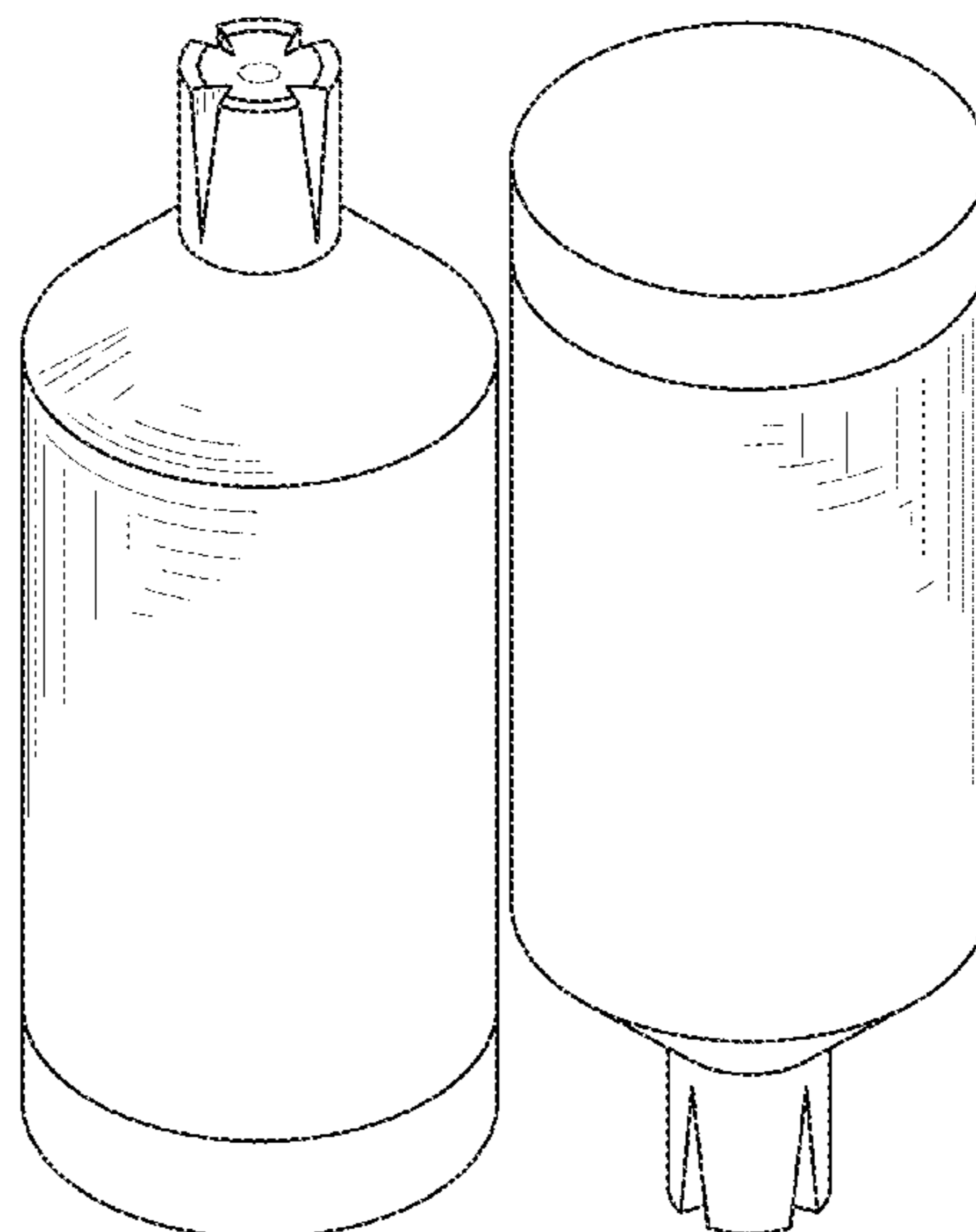
(56) **References Cited**

U.S. PATENT DOCUMENTS

RE5,047 E * 9/1872 Evenden D9/764
2,197,434 A * 4/1940 McManus B65D 7/38
220/612
D226,705 S * 4/1973 Zundel D9/764
D247,160 S * 2/1978 LaCroce D9/764
D250,933 S * 1/1979 Saunders D9/764

(Continued)

1 Claim, 8 Drawing Sheets



(56)

References Cited

U.S. PATENT DOCUMENTS

D255,544 S * 6/1980 Humphries D9/764
 D272,888 S * 3/1984 Wells D9/504
 D282,631 S * 2/1986 Beaver D9/500
 D282,632 S * 2/1986 Beaver D9/500
 D286,857 S * 11/1986 Murukurthy D9/764
 D287,465 S * 12/1986 Latta D9/764
 4,674,656 A * 6/1987 Wiley B67D 1/0021
 222/129.1
 D298,917 S * 12/1988 Krohn D9/558
 D306,399 S * 3/1990 Rumney D9/559
 4,998,649 A * 3/1991 Thanisch B65D 47/2012
 222/536
 D318,422 S * 7/1991 Rumney D9/559
 5,133,482 A * 7/1992 Burrows B67D 3/0035
 222/185.1
 5,172,831 A * 12/1992 Burrows B67D 1/0079
 222/1
 5,211,314 A * 5/1993 Burrows B67D 3/0019
 222/481.5
 5,242,085 A * 9/1993 Richter B67D 1/0078
 222/105
 5,344,045 A * 9/1994 Richter B65D 1/0215
 215/12.2
 5,381,927 A * 1/1995 Richter B65D 1/0215
 222/1
 5,435,451 A * 7/1995 Dyer B65D 23/102
 215/400
 D369,977 S * 5/1996 Sexton, Jr. D9/764

D399,097 S * 10/1998 Yang D7/598
 D399,098 S * 10/1998 Yang D7/598
 D436,538 S * 1/2001 Lang D9/764
 D441,657 S * 5/2001 Brown, III D9/500
 D442,865 S * 5/2001 Lang D9/503
 D579,787 S * 11/2008 Weggelaar D9/741
 D659,007 S * 5/2012 Pape D9/550
 D671,838 S * 12/2012 Potts D9/545
 D679,953 S * 4/2013 Peterson D7/598
 D696,116 S * 12/2013 Jacober D9/500
 D725,472 S * 3/2015 Jacober D9/500
 D729,625 S * 5/2015 Wheeler D9/414
 D779,335 S * 2/2017 Chia D9/560
 D791,602 S * 7/2017 Hainaut D9/544
 D805,401 S * 12/2017 Boctor D9/741
 D805,908 S * 12/2017 Thompson D9/536
 D816,418 S * 5/2018 Moldovan D7/598
 D820,088 S * 6/2018 Lauret D9/500
 D826,721 S * 8/2018 Shaw D9/558
 D832,055 S * 10/2018 Rose D7/598
 D917,290 S * 4/2021 Bravman D9/500
 D920,791 S * 6/2021 Chupak D9/500

OTHER PUBLICATIONS

Gin Bottle, Hendrick's, wine-liquor/store, published Sep. 2, 2019 by Spirit Masters © 2020 Wine-liquor.store, online, site visited May 12, 2022. Available at URL: <https://www.wine-liquor.store/hendricks-gin-price/> (Year: 2019).*

* cited by examiner

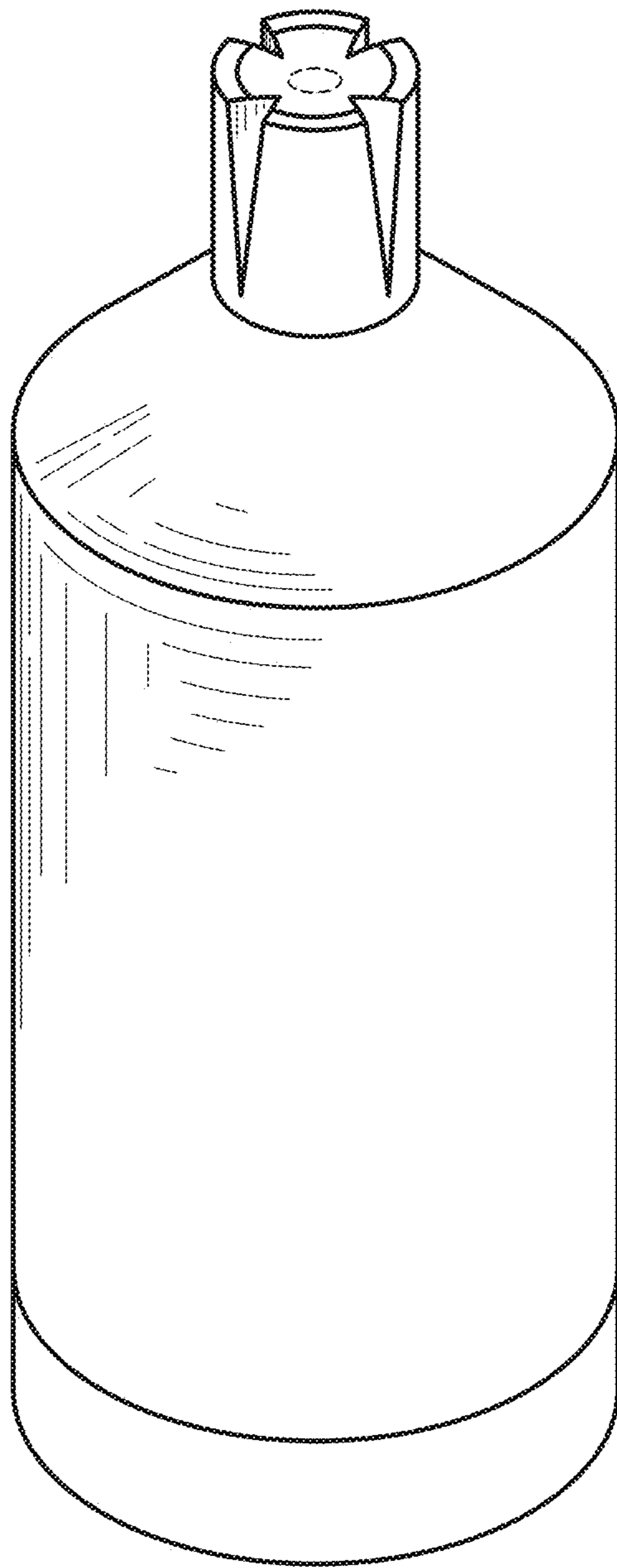


FIG. 1

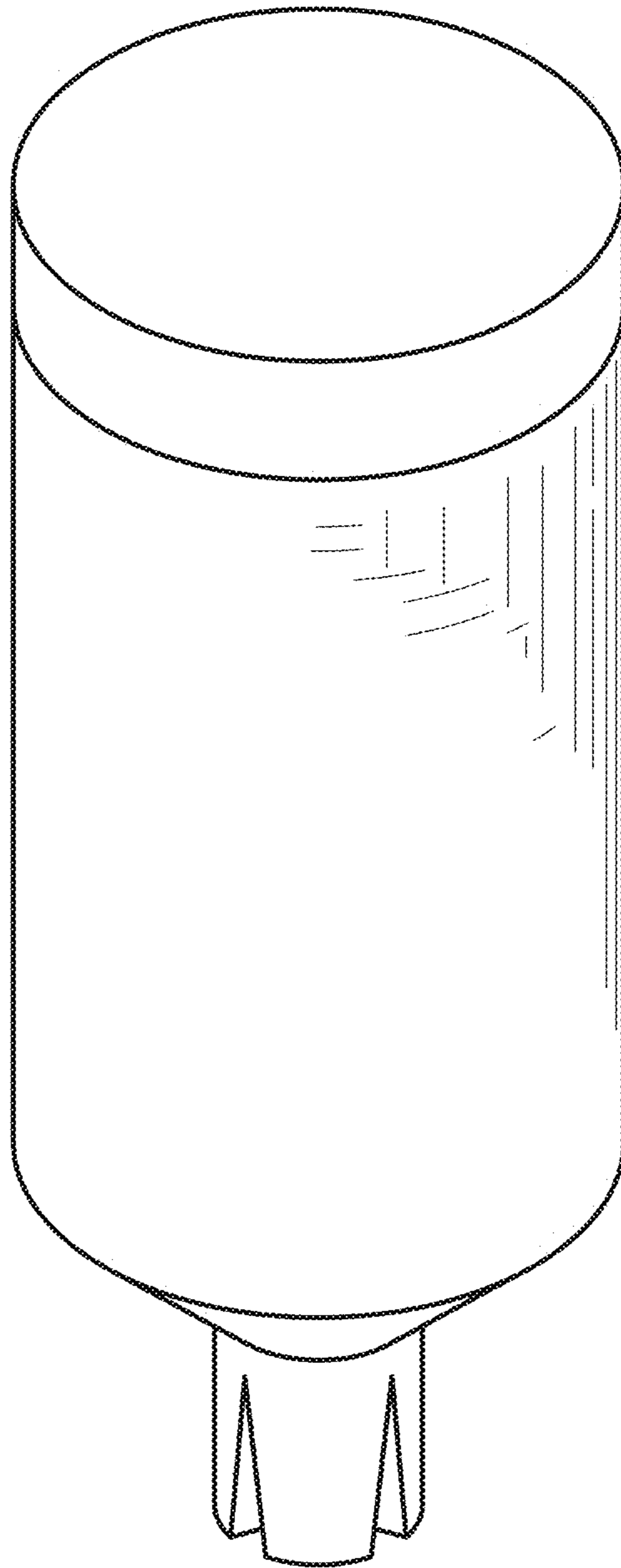


FIG. 2

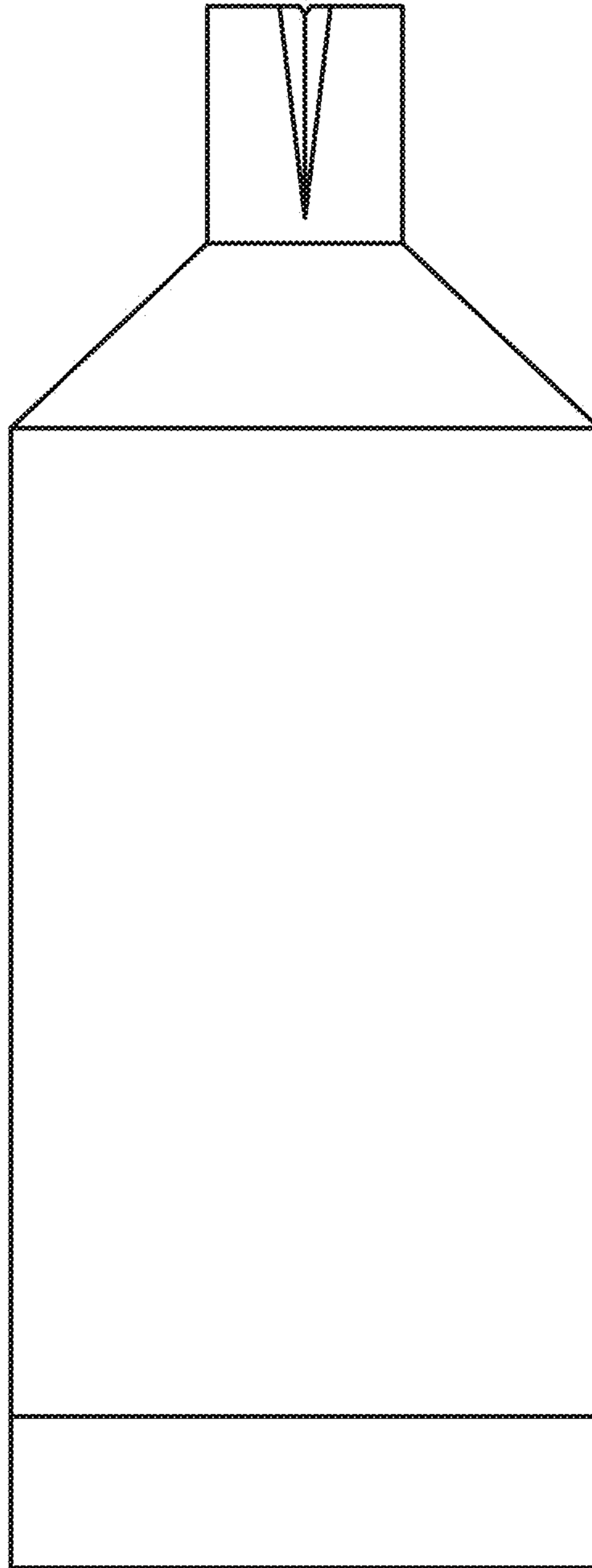


FIG. 3

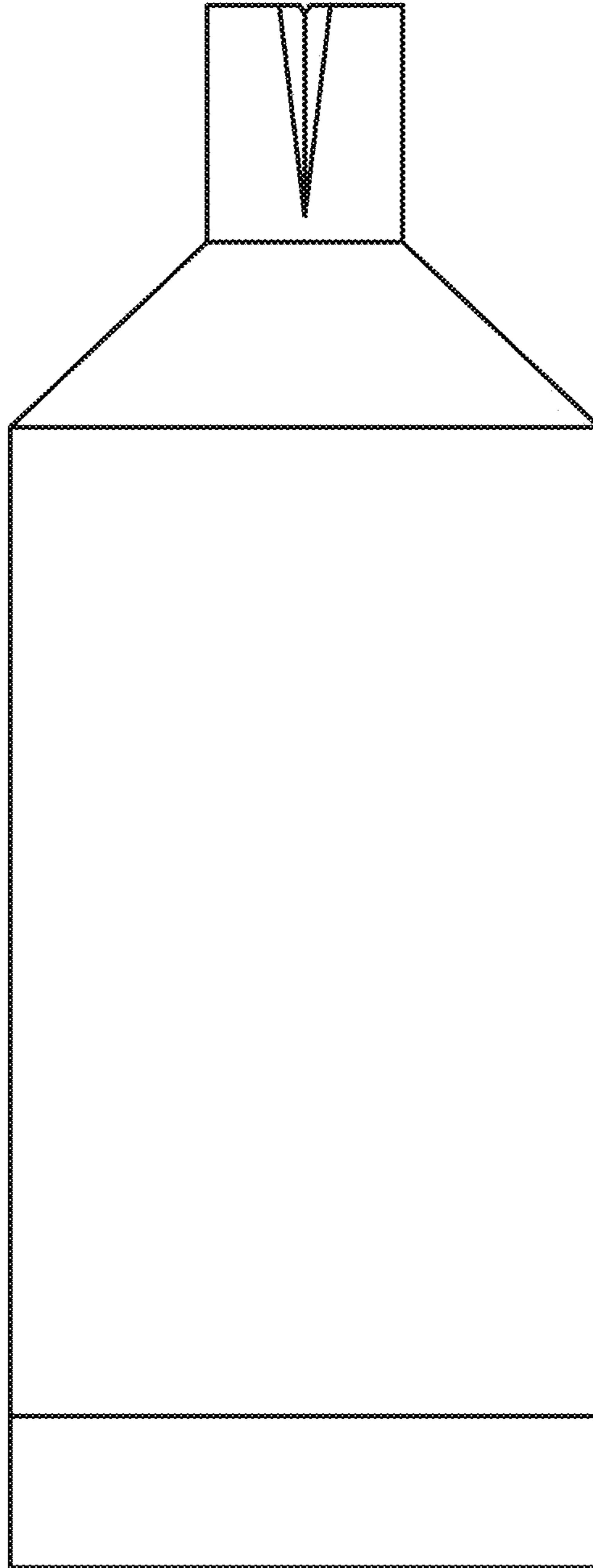


FIG. 4

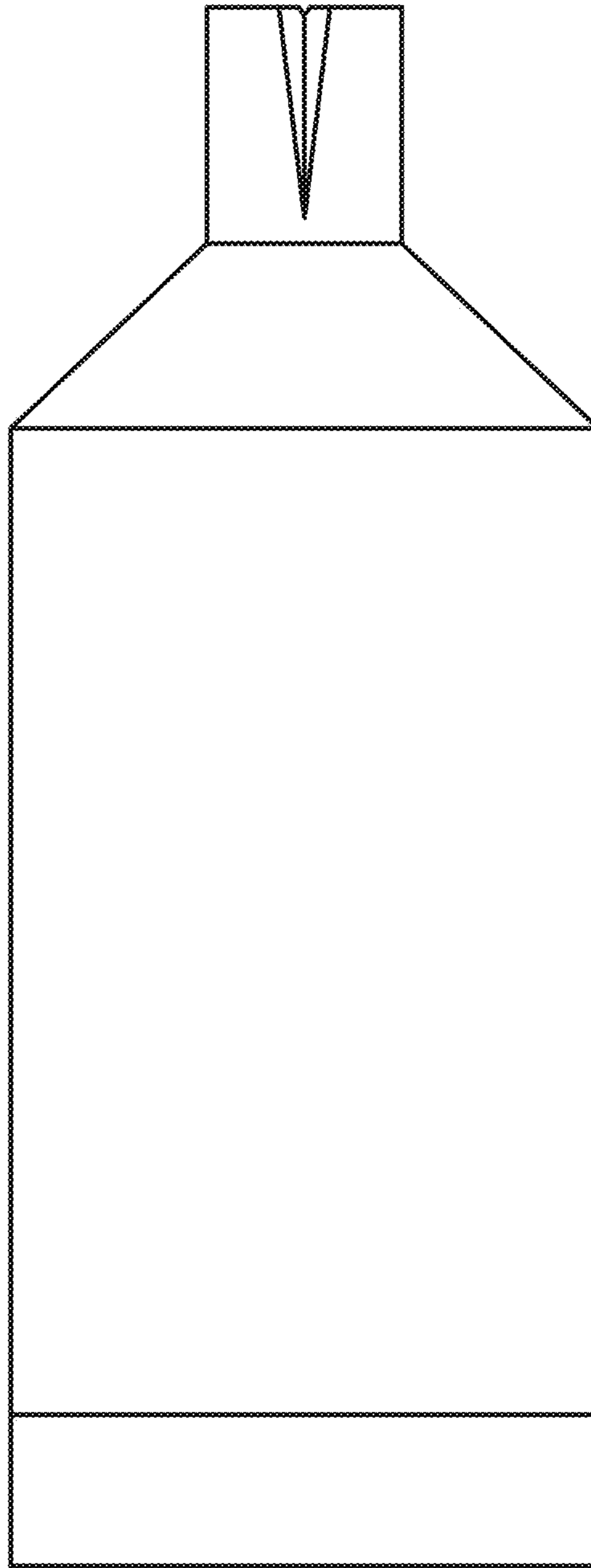


FIG. 5

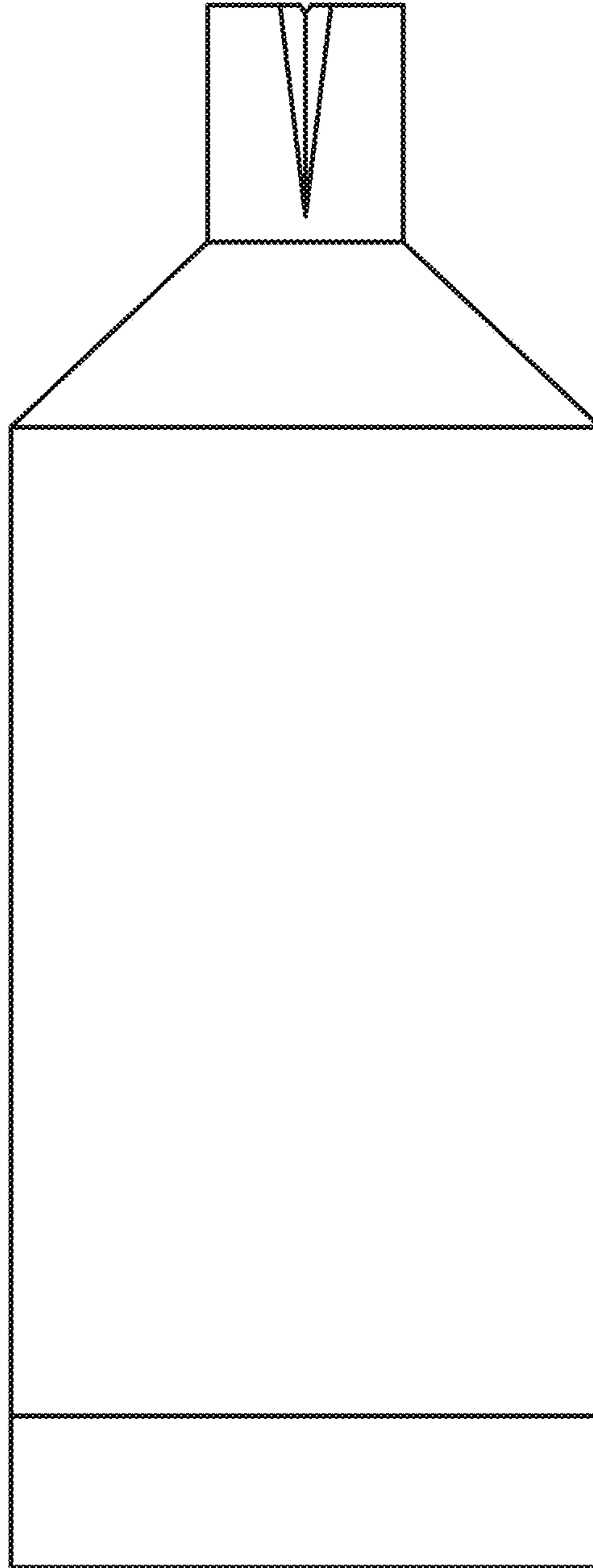


FIG. 6

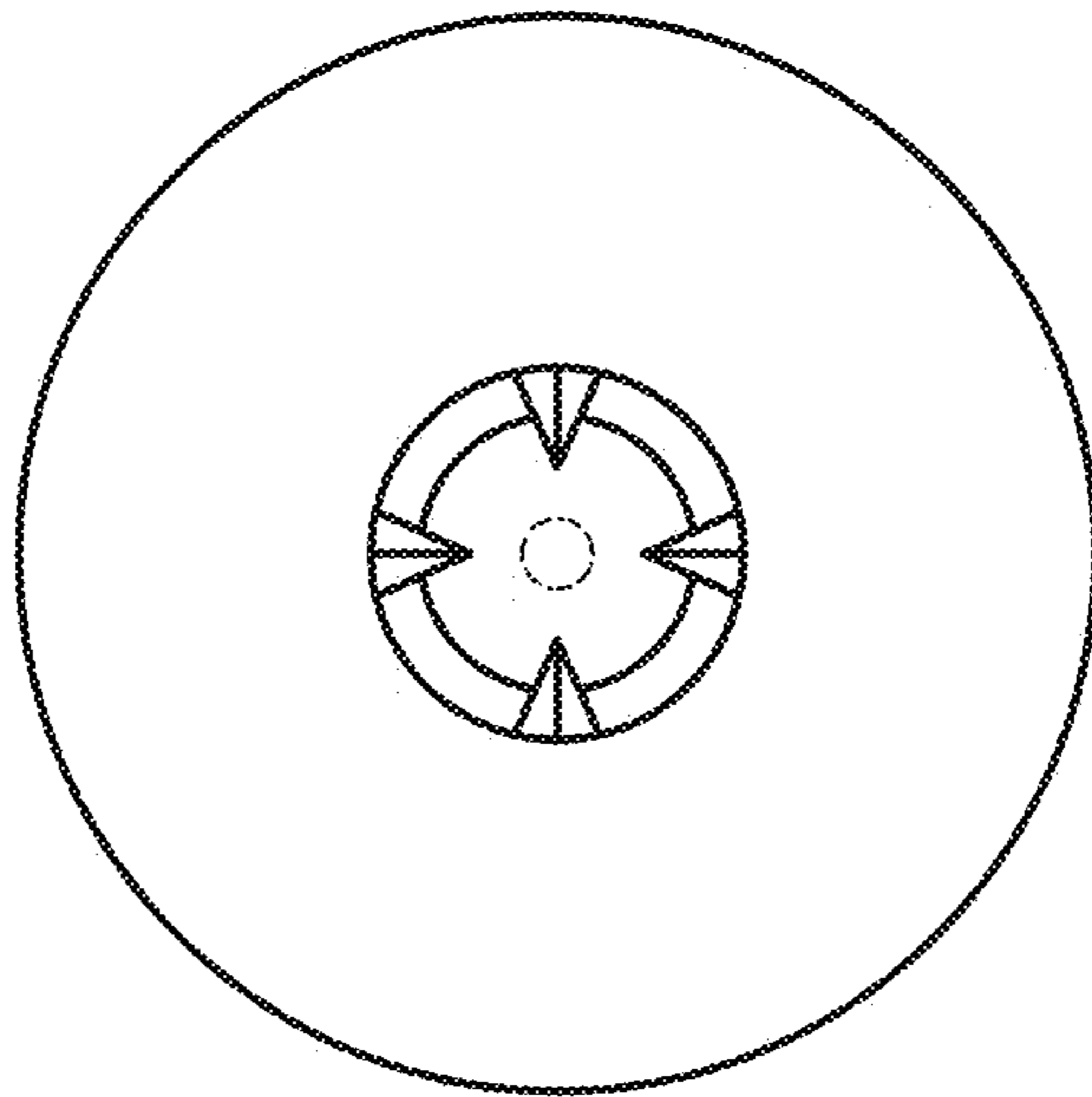


FIG. 7

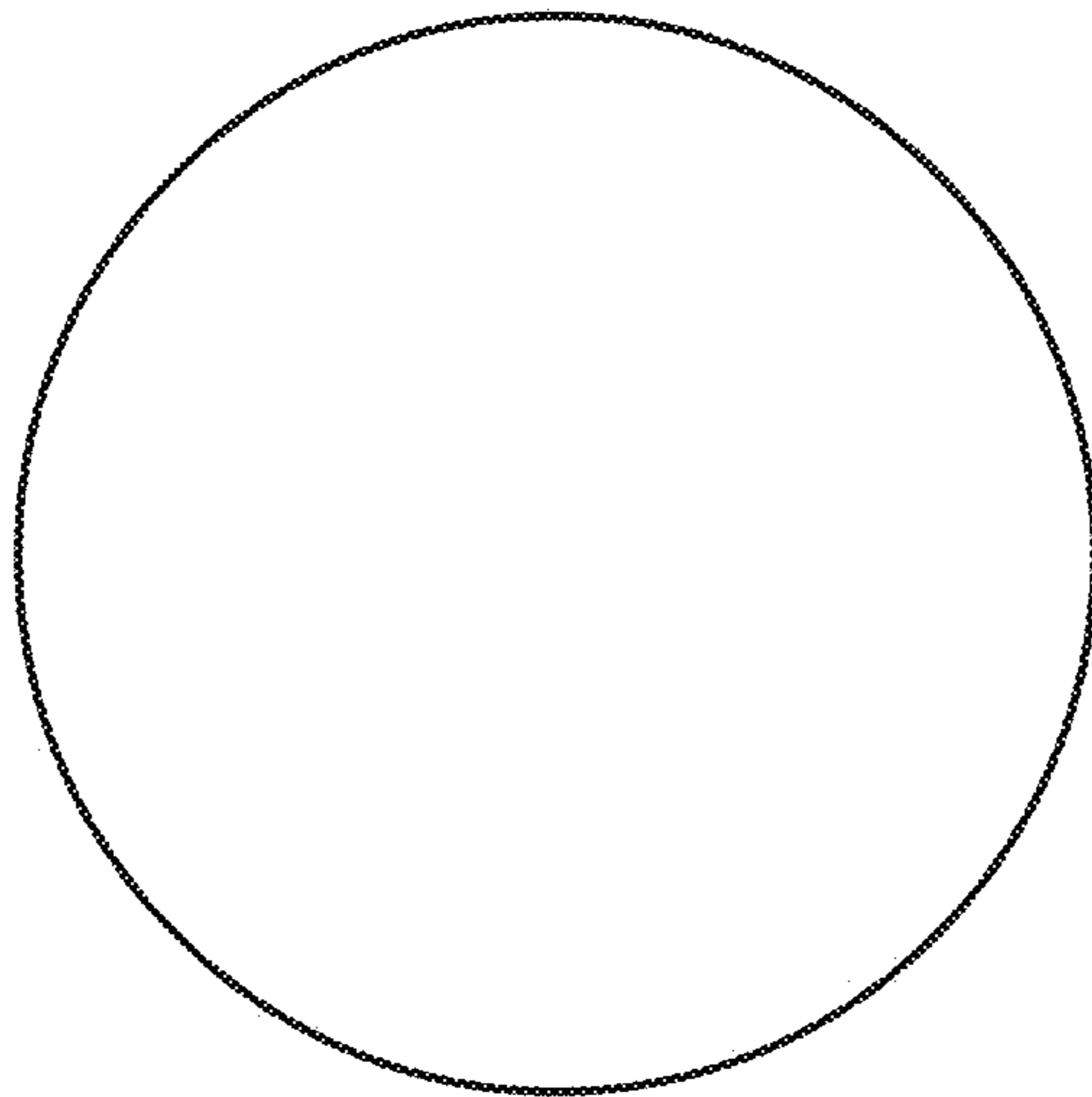


FIG. 8