

US00D962006S

(12) **United States Design Patent** (10) **Patent No.:** **US D962,006 S**  
**Davidson et al.** (45) **Date of Patent:** **\*\* Aug. 30, 2022**

(54) **PLATE WITH TWO REMOVABLE SERVING SECTIONS**

(71) Applicant: **BooginHead LLC**, Issaquah, WA (US)

(72) Inventors: **Sari Davidson**, Issaquah, WA (US);  
**Sean M Barry**, North Olmsted, OH (US); **Timothy C Hayes**, Lakewood, OH (US)

(73) Assignee: **BooginHead LLC**, Issaquah, WA (US)

(\*\*) Term: **15 Years**

(21) Appl. No.: **29/717,716**

(22) Filed: **Dec. 18, 2019**

(51) **LOC (13) Cl.** ..... **07-01**

(52) **U.S. Cl.**  
USPC ..... **D7/555; D7/557**

(58) **Field of Classification Search**  
USPC ..... D7/587, 500, 555, 504, 542, 557, 556,  
D7/584, 359, 553.1; 220/574; D30/130,  
D30/129; 249/52  
CPC ..... A47G 19/02; A47G 23/08; A47G 19/32  
See application file for complete search history.

(56) **References Cited**

**U.S. PATENT DOCUMENTS**

1,290,186	A *	1/1919	Held	.....	A47J 36/20 220/531
1,587,288	A *	6/1926	Dooly	.....	A21B 3/13 D7/557
1,718,668	A *	6/1929	Smythe	.....	A21B 3/13 33/525
2,388,442	A *	11/1945	Reyburn	.....	A47J 47/14 D7/610
2,446,629	A *	8/1948	Brown	.....	A47G 19/26 294/7

(Continued)

*Primary Examiner* — Cynthia R Underwood  
(74) *Attorney, Agent, or Firm* — AEON Law, PLLC;  
Adam L. K. Philipp; Jonathan E. Olson

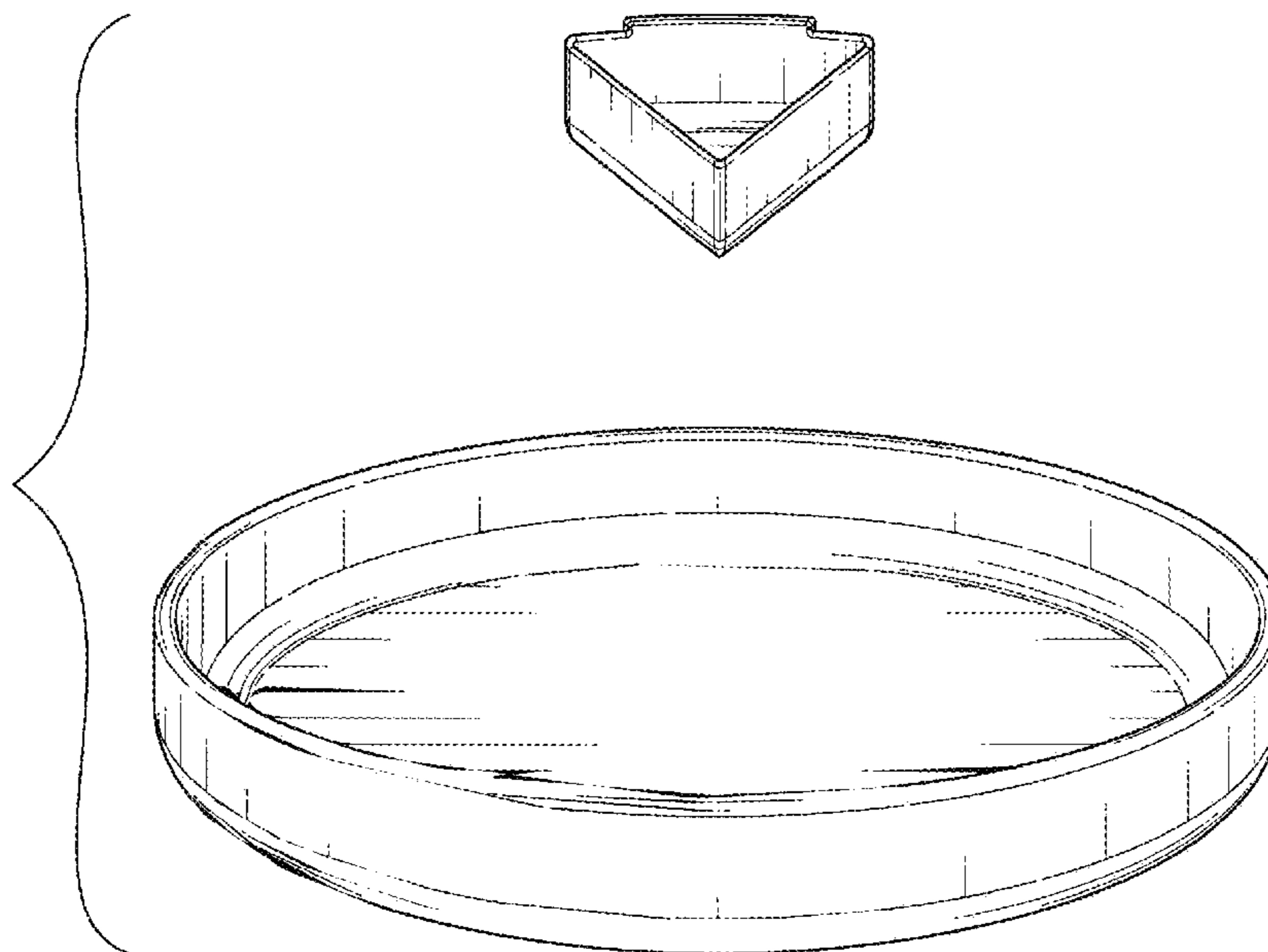
(57) **CLAIM**

The ornamental design for a plate with two removable serving sections, as shown and described.

**DESCRIPTION**

FIG. 1 is a top view of a plate with two removable serving sections showing the plate and the first removable serving section with the second removable serving section removed; FIG. 2 is a top view of the plate with two removable serving sections showing the plate and the second removable serving section with the first removable serving section removed; FIG. 3 is a front view of FIG. 1, the front view with the second removable serving section being identical; FIG. 4 a back view of FIG. 1, the front view with the second removable serving section being identical; FIG. 5 a left side view of FIG. 1, the front view with the second removable serving section being identical; FIG. 6 is a right side view of FIG. 1, the front view with the second removable serving section being identical; FIG. 7 a bottom view of FIG. 1, the bottom view with the second removable serving section being identical; FIG. 8 is a perspective view of FIG. 1; FIG. 9 is a perspective view of FIG. 2; FIG. 10 is an exploded view of FIG. 1; FIG. 11 is an exploded view of FIG. 2; FIG. 12 is an exploded perspective back view of FIG. 1; FIG. 13 is an exploded perspective back view of FIG. 2; and, FIG. 14 is a top view of FIG. 1 showing broken lines depicting unclaimed environmental matter comprising a second instance of the first serving section. The broken lines of FIG. 14 illustrate portions of the plate and serving section, or illustrate environmental matter, that form no part of the claimed design.

**1 Claim, 11 Drawing Sheets**



(56)

References Cited

U.S. PATENT DOCUMENTS

2,522,397 A \* 9/1950 Palmer ..... A21B 3/13  
220/4.28  
3,384,260 A \* 5/1968 Buffington ..... A47G 23/06  
D7/557  
3,677,168 A \* 7/1972 Bell ..... A47G 19/265  
99/645  
D243,380 S \* 2/1977 Berger ..... D7/354  
D243,912 S \* 4/1977 Daenen ..... D7/584  
D244,065 S \* 4/1977 Daenen ..... D7/584  
D244,415 S \* 5/1977 Daenen ..... D7/630  
D248,712 S \* 8/1978 Guibert ..... D7/505  
D251,347 S \* 3/1979 Andersen ..... D7/584  
D254,416 S \* 3/1980 Abbate ..... D7/584  
D255,208 S \* 6/1980 Greger ..... D7/584  
D305,846 S \* 2/1990 Griffith ..... D7/505  
5,074,777 A \* 12/1991 Garner ..... A21C 11/106  
425/289  
D364,537 S \* 11/1995 Anderson ..... D7/553.6  
D384,861 S \* 10/1997 Richard ..... D7/555  
6,287,619 B1 \* 9/2001 Khan ..... A47J 37/01  
206/551  
6,299,918 B1 \* 10/2001 Morgese ..... A47G 21/001  
426/115  
D510,686 S \* 10/2005 Mounce ..... D7/688

7,480,999 B2 \* 1/2009 Atwater ..... A21C 11/106  
30/289  
D587,517 S \* 3/2009 Cheng ..... D7/354  
D676,340 S \* 2/2013 Reefer ..... D10/46.3  
8,778,435 B2 \* 7/2014 Pokotylo ..... A23L 5/15  
294/169  
9,107,421 B2 \* 8/2015 Campbell ..... A21B 3/135  
D783,225 S \* 4/2017 D'Agostino ..... D1/106  
D784,066 S \* 4/2017 Keating ..... D7/354  
D817,696 S \* 5/2018 Mirchandani ..... D7/354  
D826,621 S \* 8/2018 Mirchandani ..... D7/354  
D828,710 S \* 9/2018 Mirchandani ..... D7/354  
D830,110 S \* 10/2018 Mirchandani ..... D7/354  
D830,111 S \* 10/2018 Mirchandani ..... D7/354  
D847,193 S \* 4/2019 Laing ..... D14/488  
D877,096 S \* 3/2020 Stiehl ..... D13/174  
D897,755 S \* 10/2020 Garrison, Jr. .... D7/359  
D939,265 S \* 12/2021 Stojanovski ..... D7/359  
2007/0261568 A1 \* 11/2007 Smothers ..... A47J 37/10  
99/424  
2015/0069215 A1 \* 3/2015 Kohnen ..... A21B 3/13  
249/203  
2015/0201802 A1 \* 7/2015 Moore ..... A21B 3/13  
426/389  
2020/0163474 A1 \* 5/2020 McCartney ..... A47G 19/02  
2021/0169250 A1 \* 6/2021 Czubak ..... G01N 21/78  
2021/0186239 A1 \* 6/2021 Davidson ..... A47G 19/02

\* cited by examiner

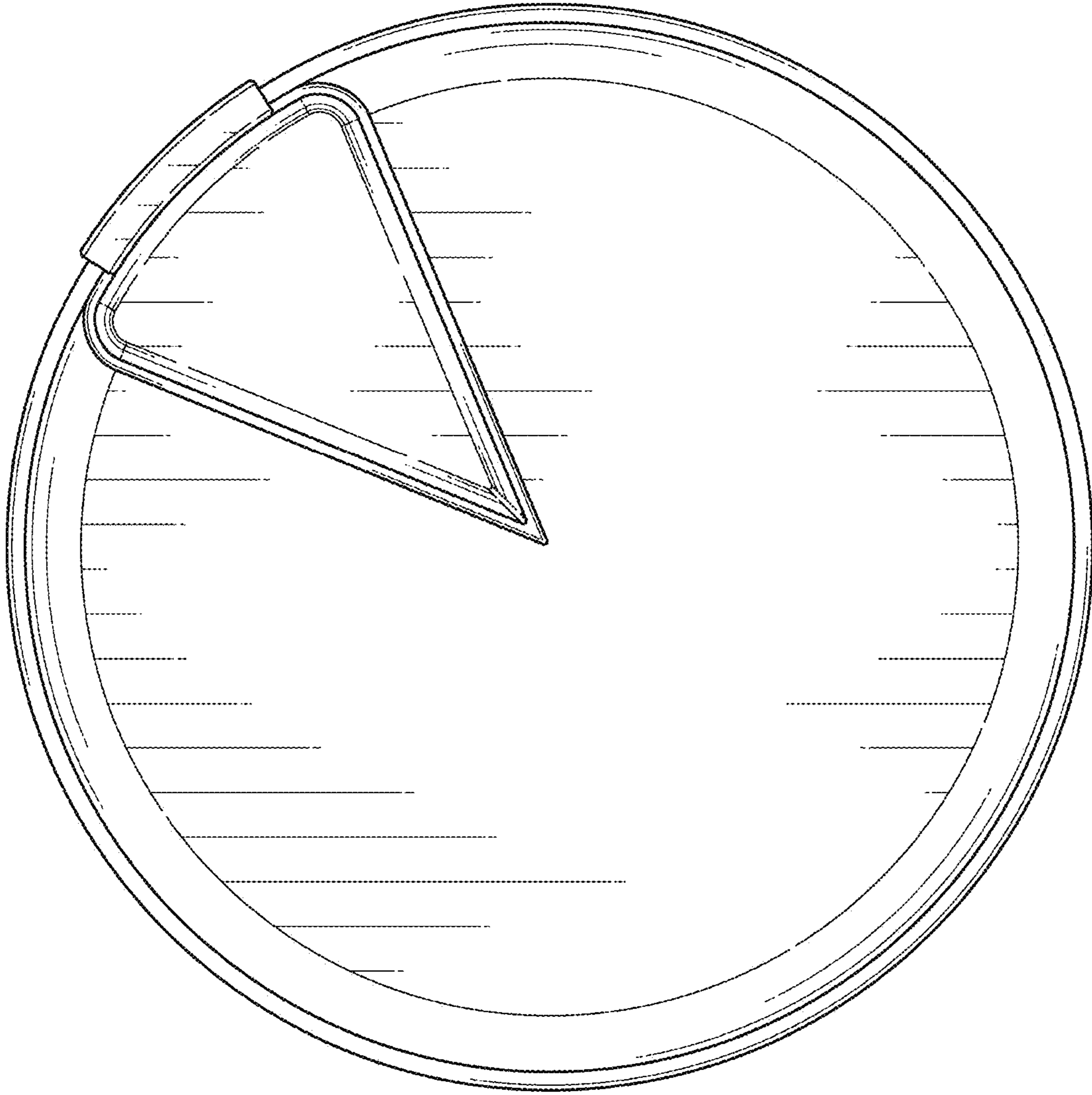


FIG. 1

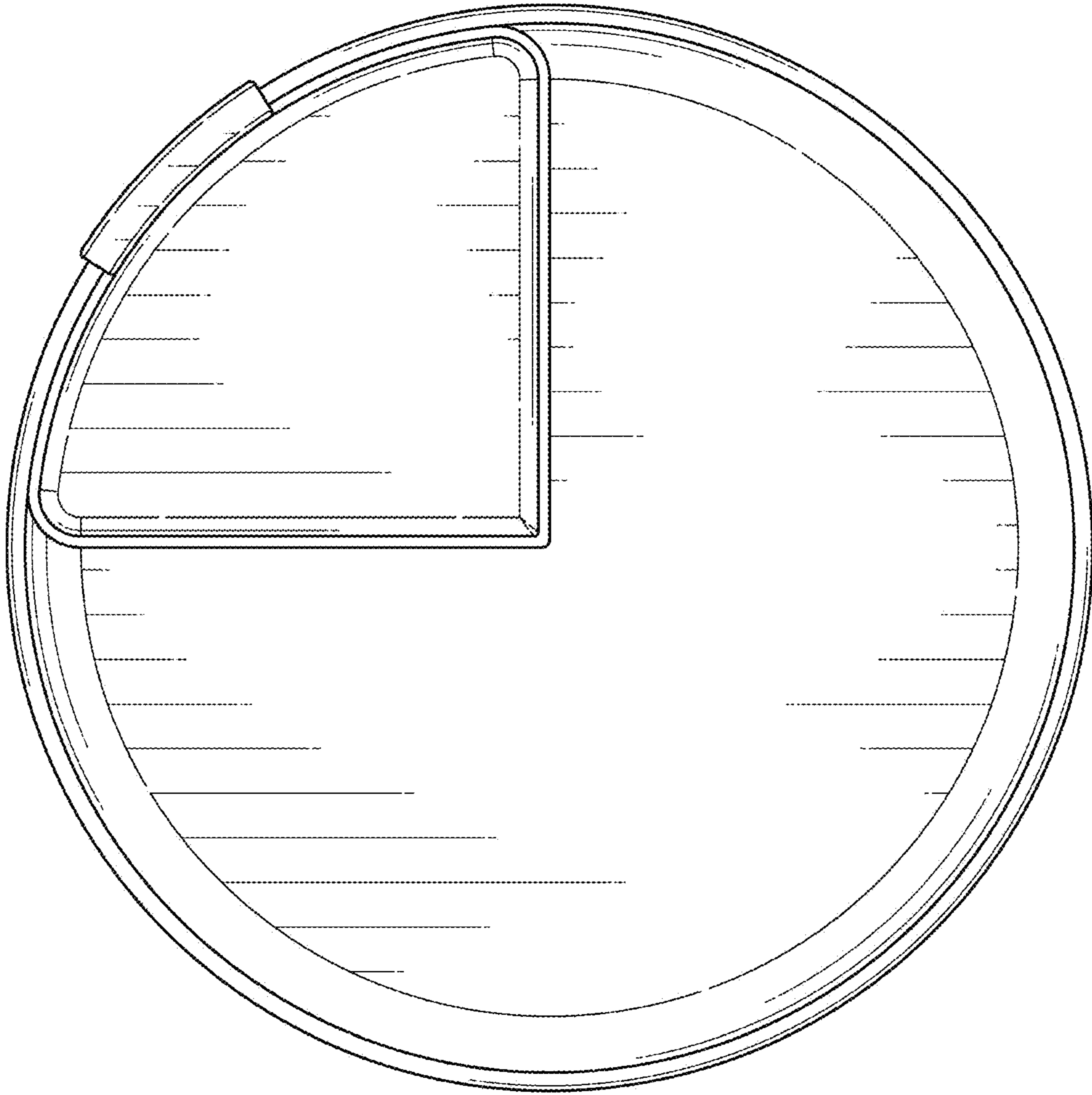


FIG. 2

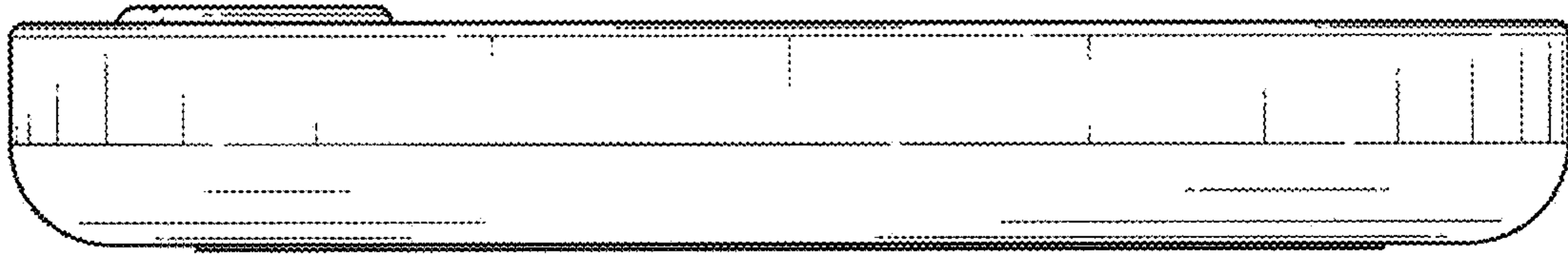


FIG. 3

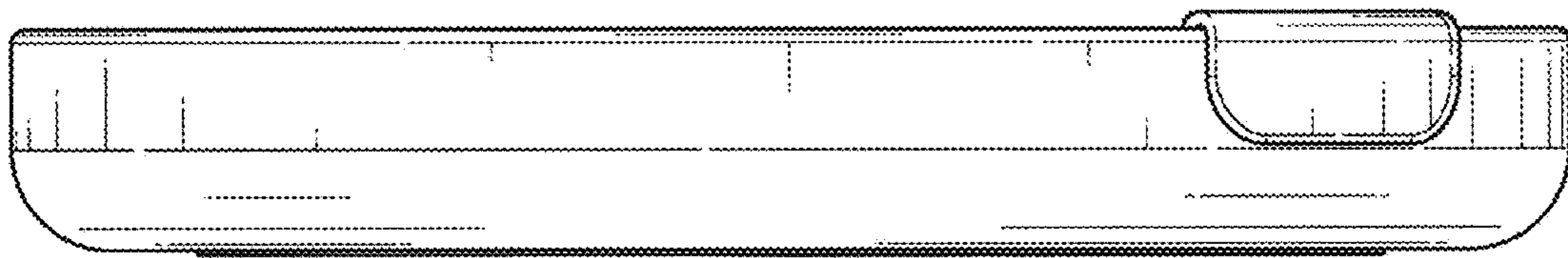


FIG. 4

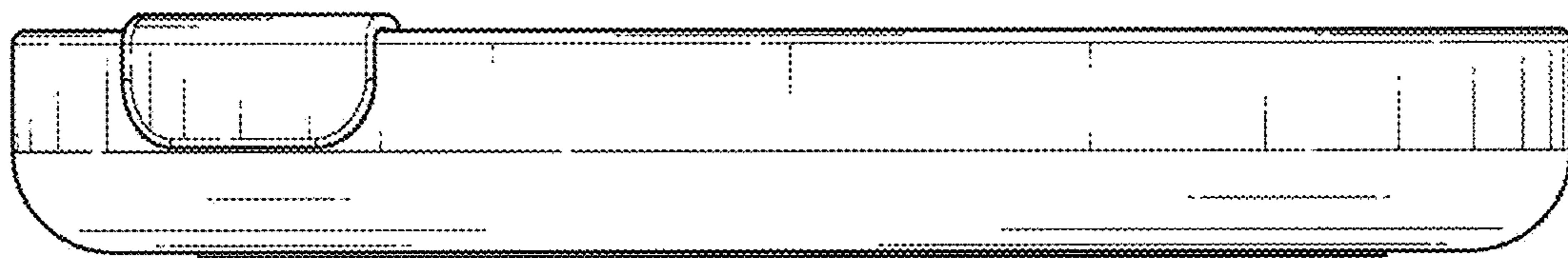


FIG. 5

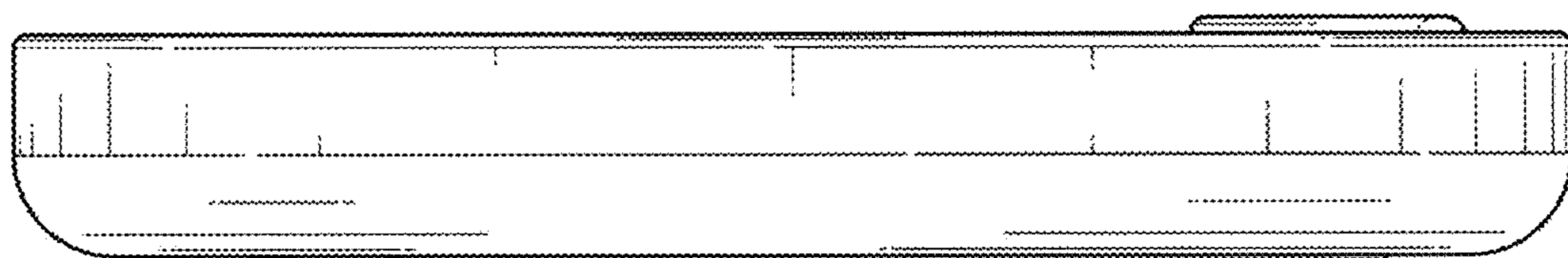


FIG. 6

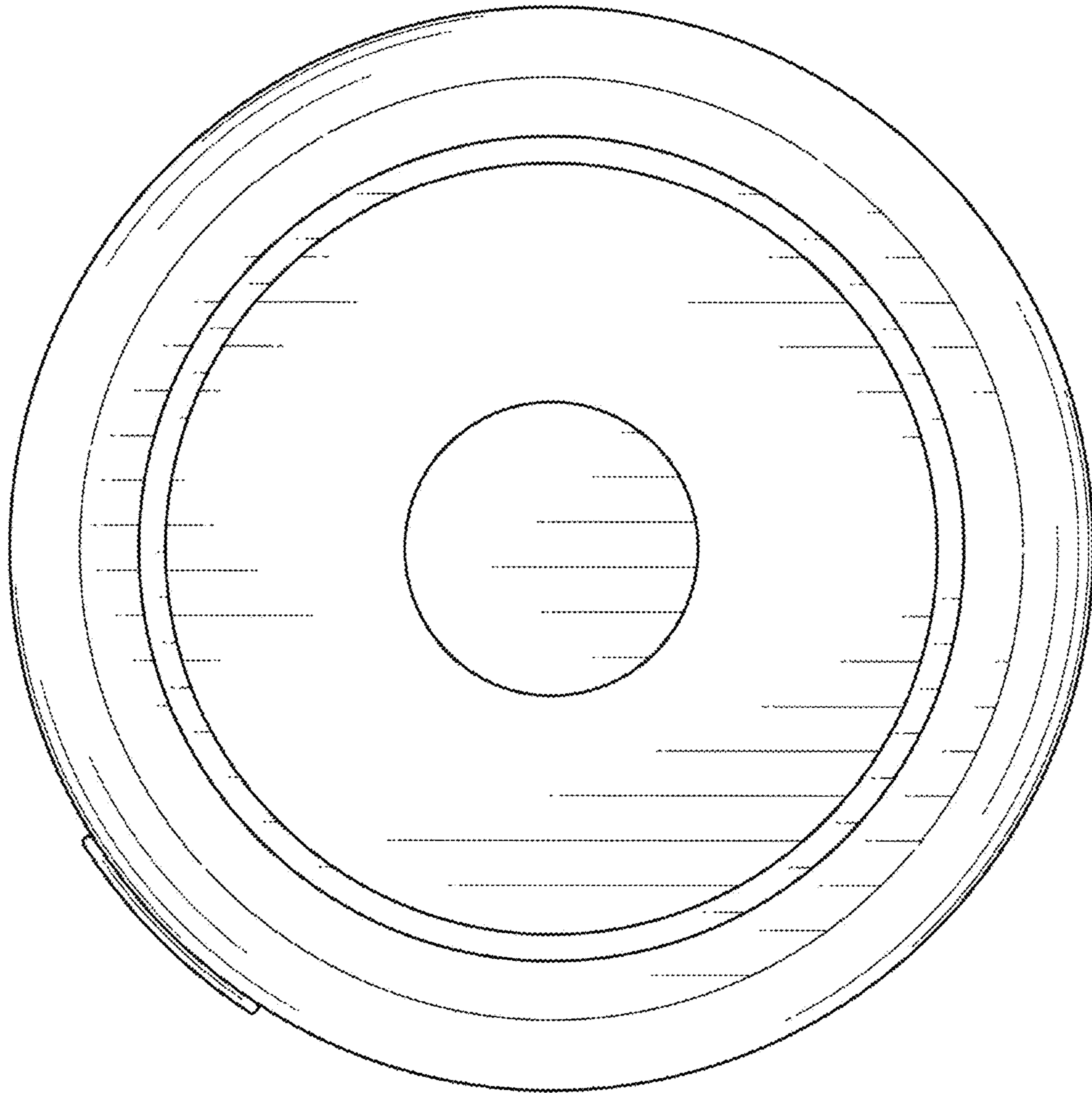


FIG. 7

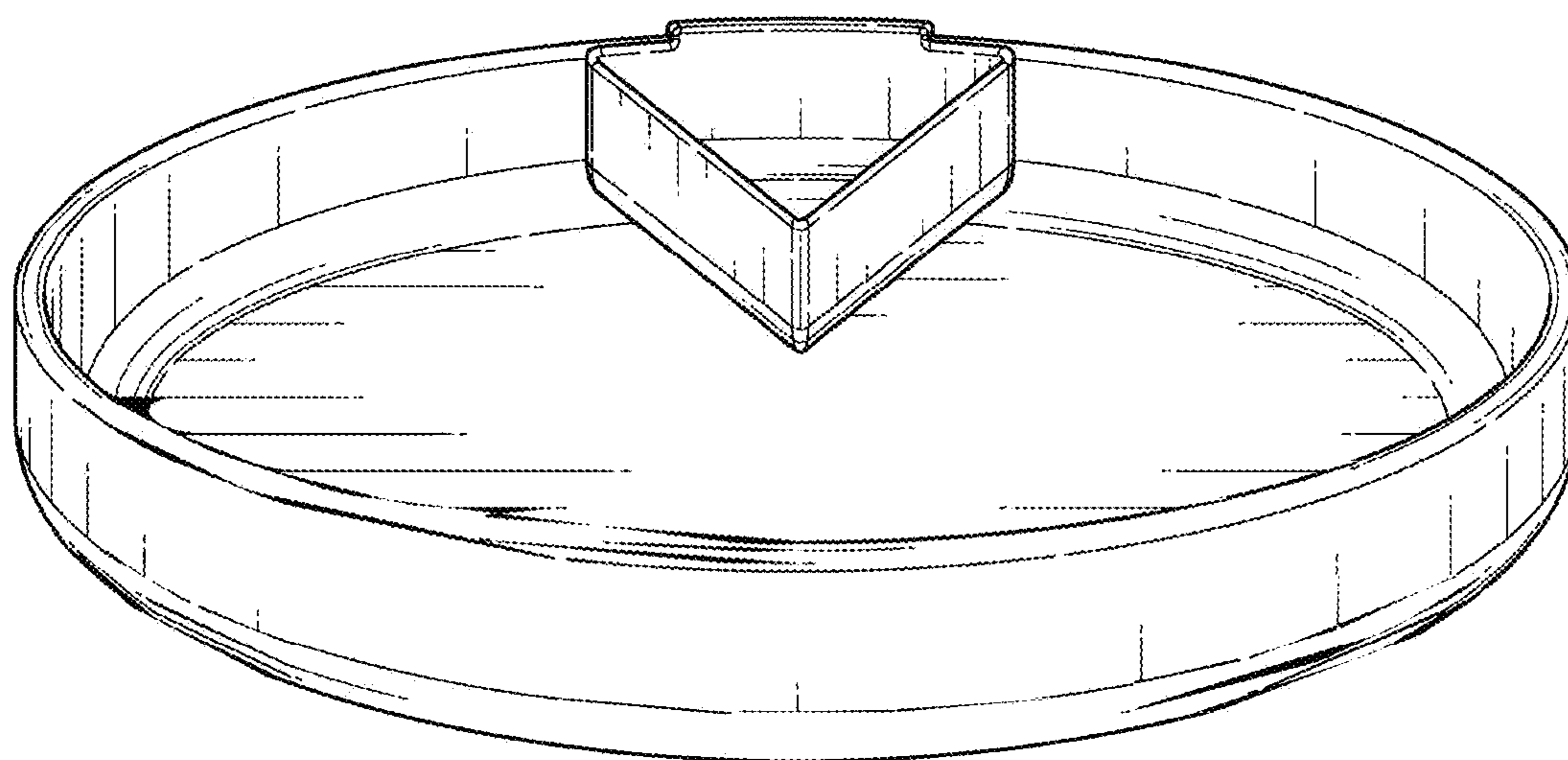


FIG. 8

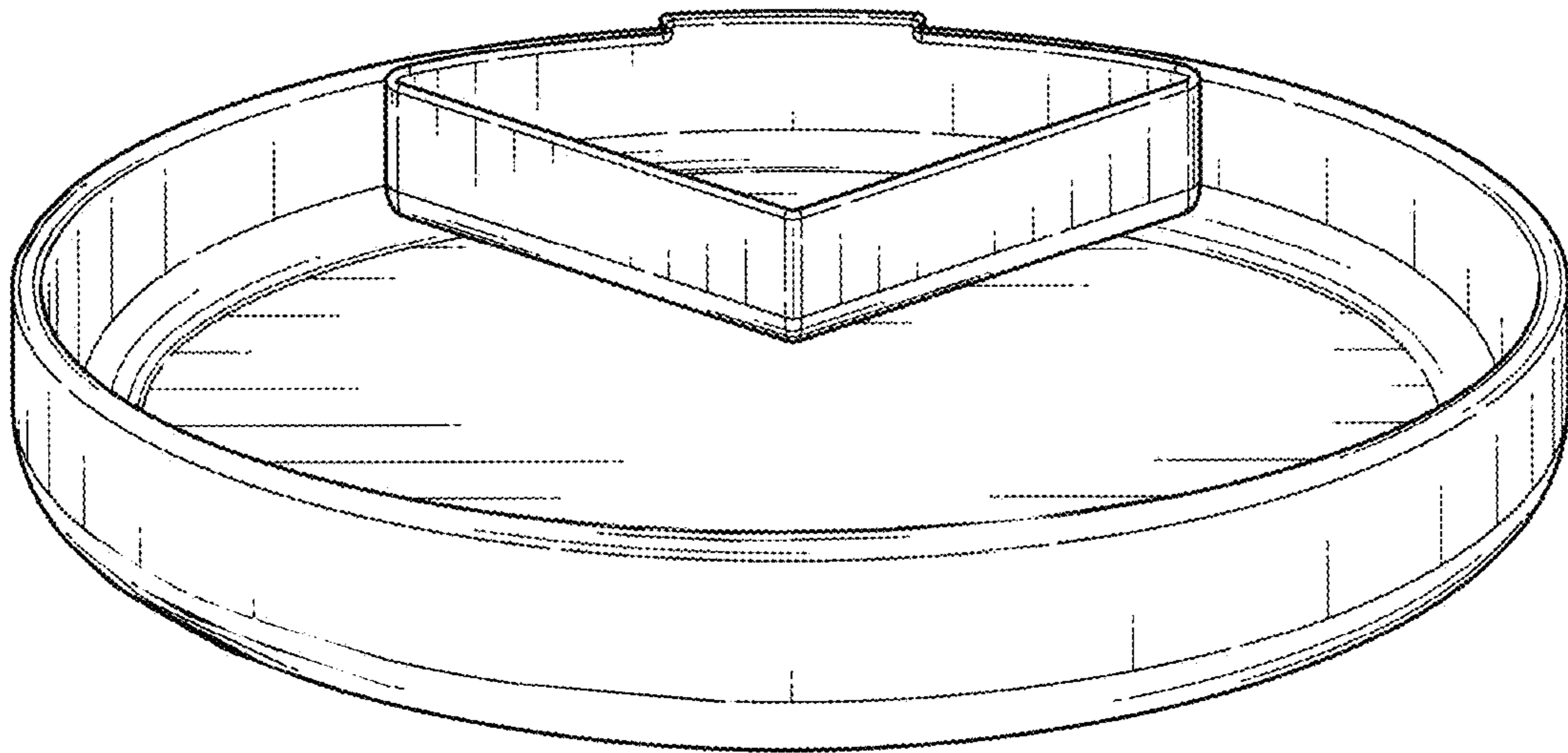


FIG. 9



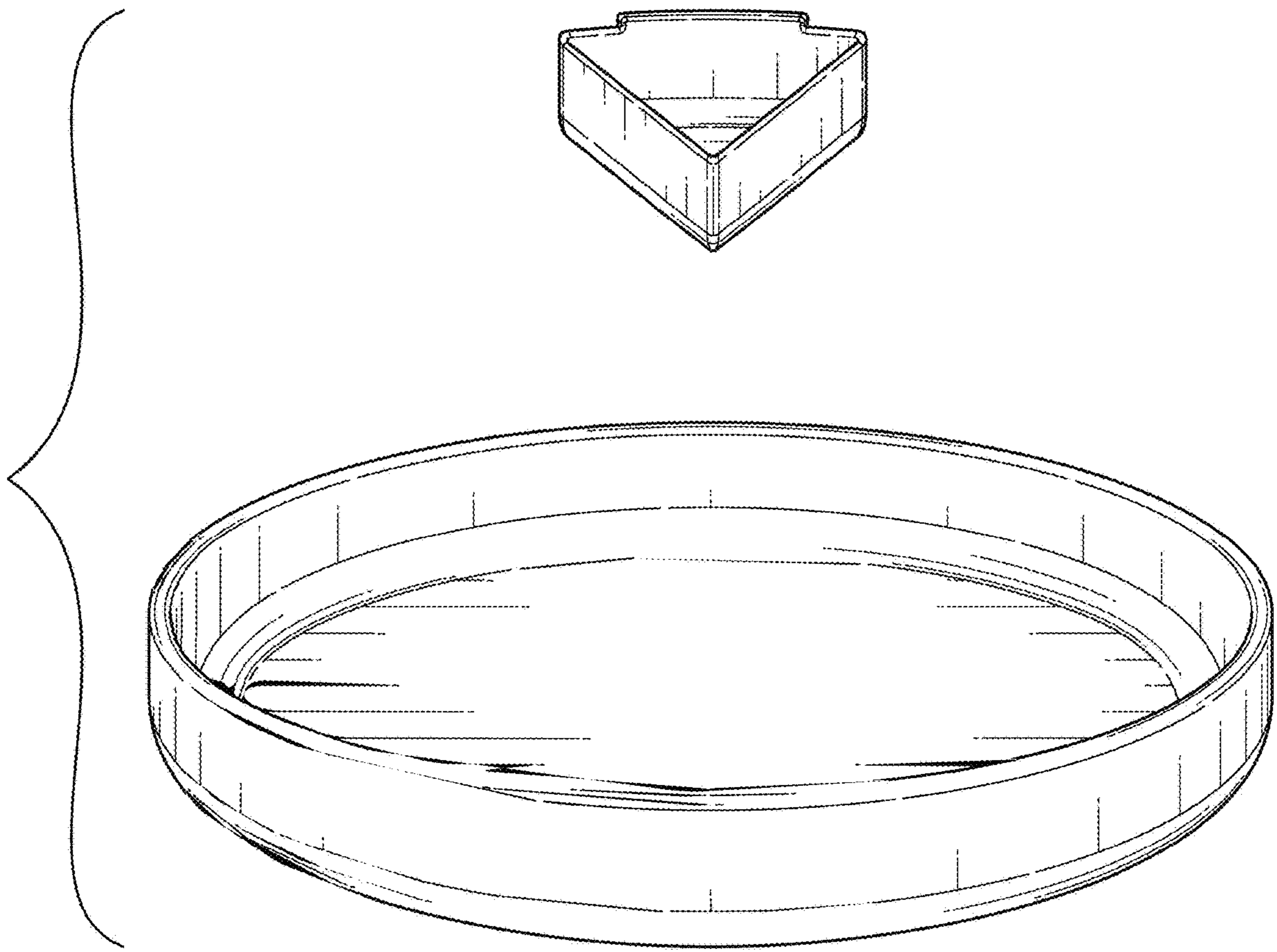


FIG. 10

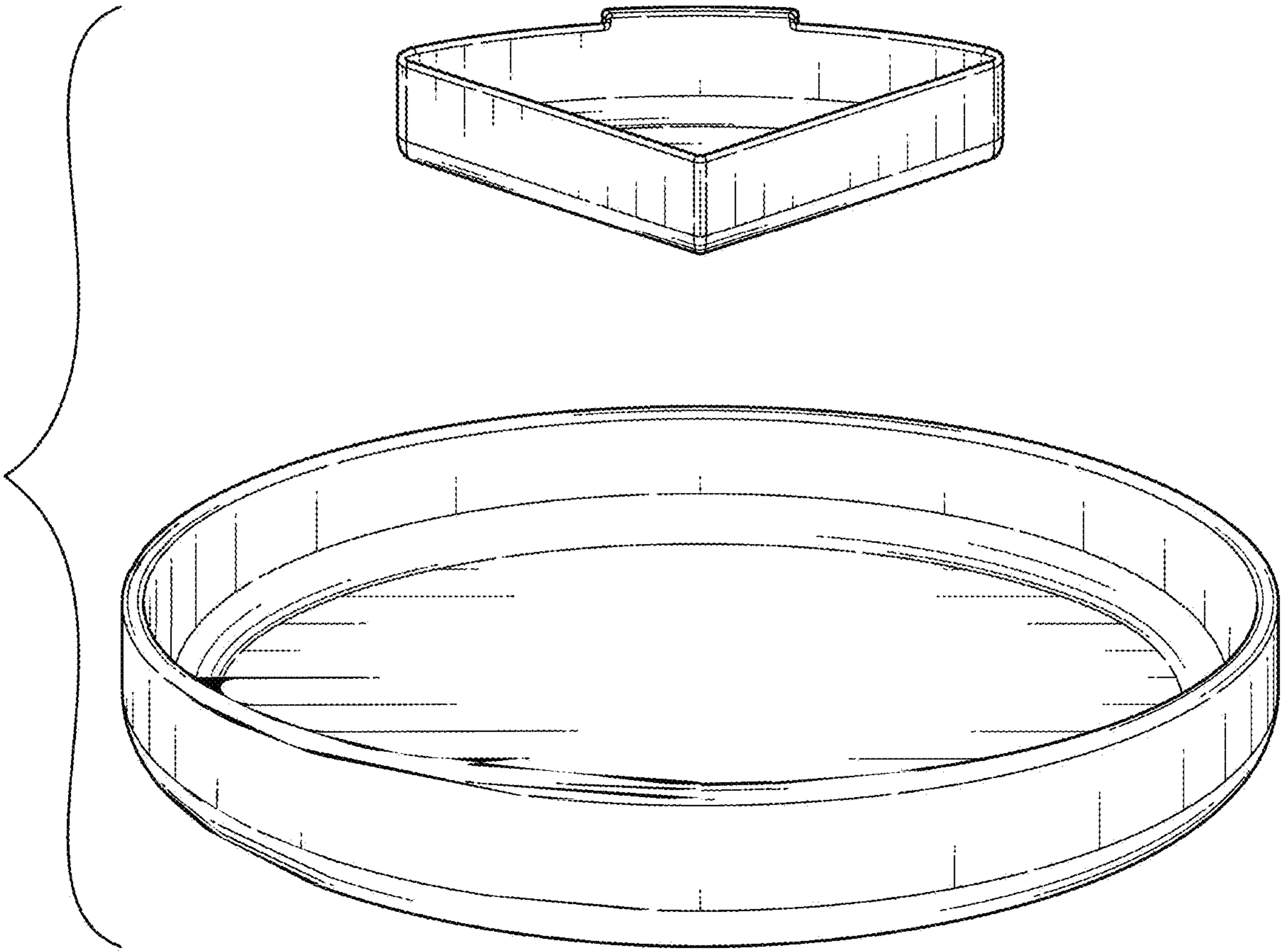


FIG. 11

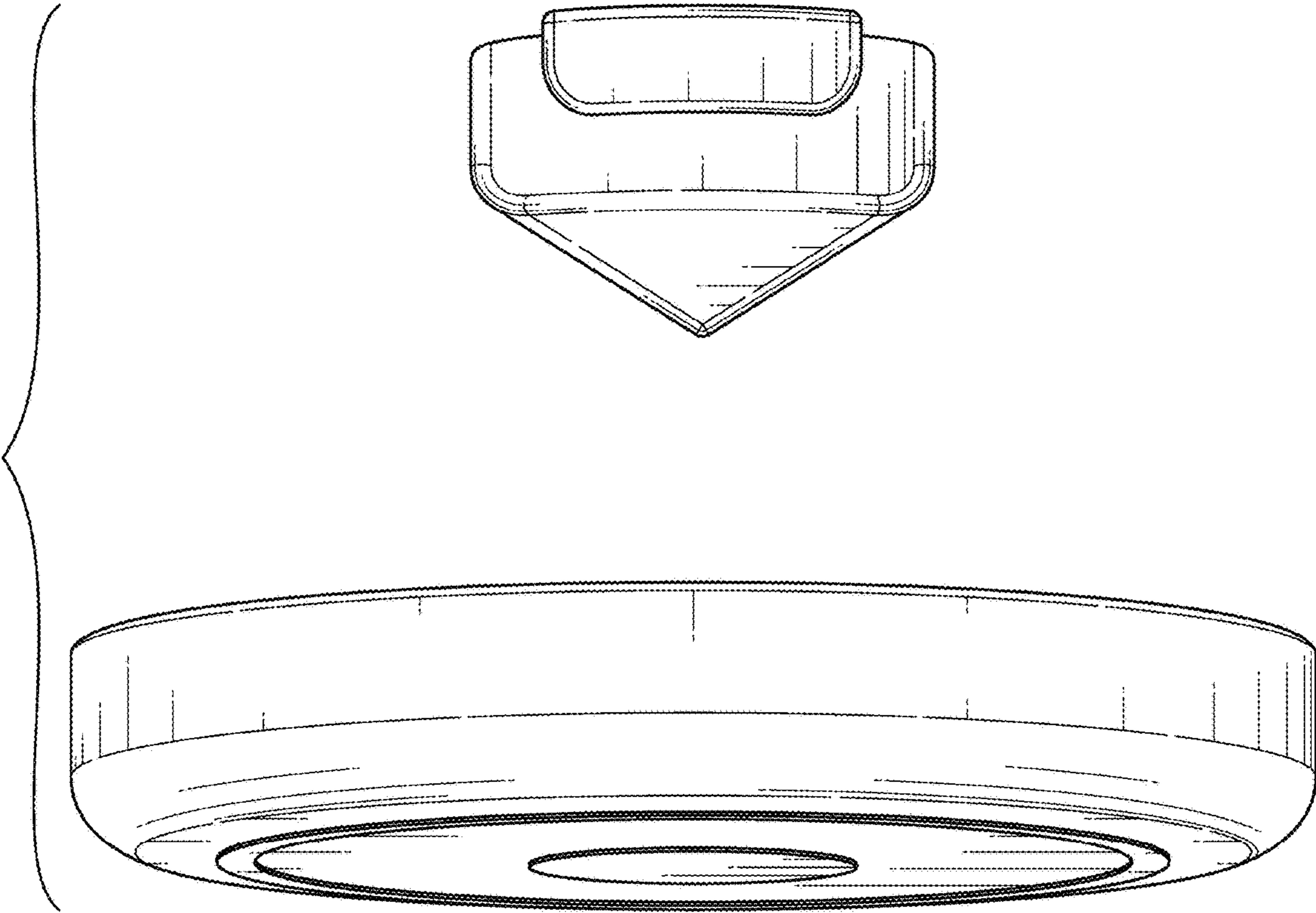


FIG. 12

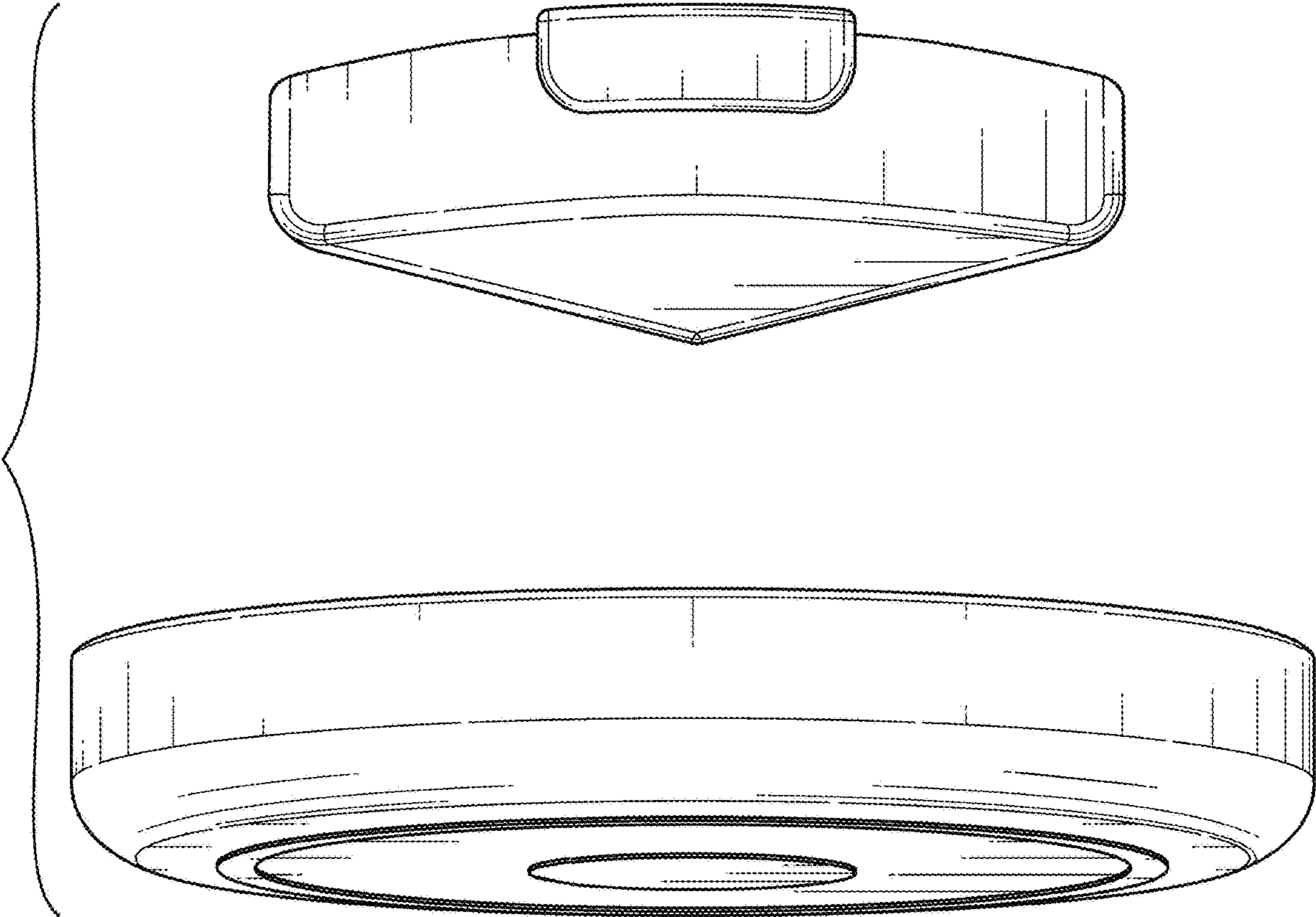


FIG. 13

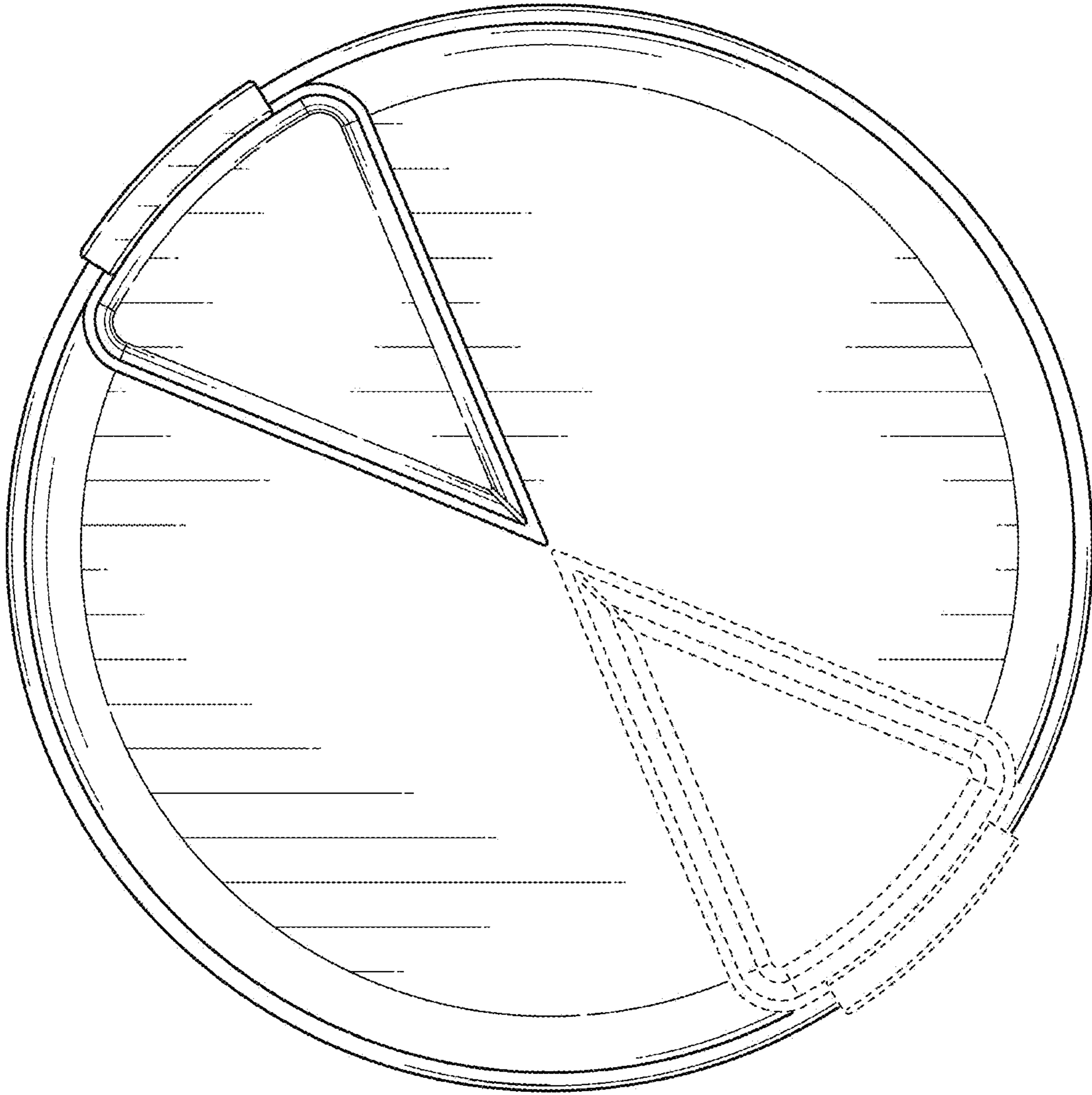


FIG. 14