

US00D962004S

(12) **United States Design Patent**
Herrera

(10) **Patent No.:** **US D962,004 S**

(45) **Date of Patent:** **** Aug. 30, 2022**

- (54) **SERVING TRAY**
- (71) Applicant: **Wesley Herrera**, Boynton Beach, FL
(US)
- (72) Inventor: **Wesley Herrera**, Boynton Beach, FL
(US)
- (**) Term: **15 Years**
- (21) Appl. No.: **29/772,426**
- (22) Filed: **Mar. 1, 2021**
- (51) **LOC (13) Cl.** **07-01**
- (52) **U.S. Cl.**
USPC **D7/553.1**
- (58) **Field of Classification Search**
USPC D7/555, 550.1, 552.1, 553.5, 554.3,
D7/601-602, 609, 611, 701
CPC A47G 19/00; A47G 19/02; A47G 19/06;
A47G 19/30; A47G 23/00; A47G 23/06;
A47G 23/08; B65D 1/00; B65D 25/00
See application file for complete search history.

4,989,742 A	2/1991	Powell	
D327,200 S *	6/1992	Szablak	D7/550.1
5,184,750 A	2/1993	Moller	
5,259,528 A	11/1993	Pace et al.	
5,328,051 A	7/1994	Potter et al.	
5,697,512 A	12/1997	Brickley	
D393,181 S *	4/1998	Panta	D7/552.2
D485,731 S *	1/2004	Bulcher	D7/553.1
7,975,623 B1	7/2011	Gassick et al.	
D654,764 S *	2/2012	Murphy	D7/553.1
D664,005 S *	7/2012	Seehoff	D7/553.1
D714,073 S *	9/2014	Pittman	D6/406.2
8,827,104 B2	9/2014	Hickox	
D716,610 S *	11/2014	Ritch	D7/553.1
D761,659 S	7/2016	Schlief et al.	
D785,406 S	5/2017	Wansink	
10,034,806 B1 *	7/2018	Greenhalgh, Sr.	A61G 7/05
D947,616 S *	4/2022	Ong	D7/553.5
2015/0230636 A1	8/2015	Sheppard et al.	

* cited by examiner

Primary Examiner — Kelley A Donnelly
(74) *Attorney, Agent, or Firm* — Allen F. Bennett;
Bennett Intellectual Property

(57) **CLAIM**

The ornamental design for a serving tray, as shown and described.

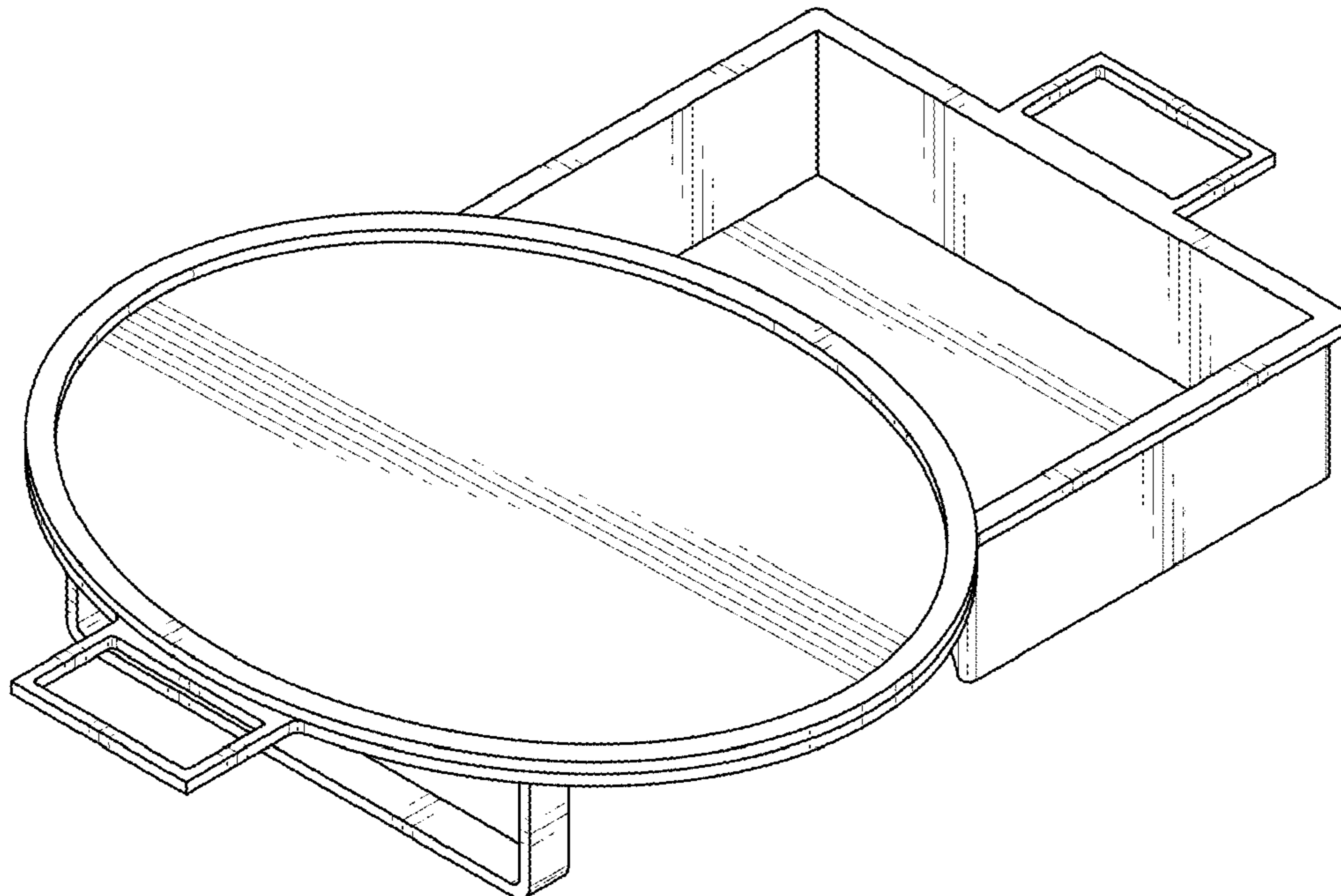
DESCRIPTION

FIG. 1 is a perspective view of a serving tray;
FIG. 2 is a right side elevational view of the serving tray;
FIG. 3 is a left side elevational view of the serving tray;
FIG. 4 is a front elevational view of the serving tray;
FIG. 5 is a rear elevational view of the serving tray;
FIG. 6 is a top plan view of the serving tray; and,
FIG. 7 is a bottom plan view of the serving tray.

1 Claim, 7 Drawing Sheets

(56) **References Cited**
U.S. PATENT DOCUMENTS

1,272,996 A	7/1918	Poschadel	
2,352,684 A	1/1941	Braddock	
2,549,440 A	6/1948	Erro	
2,481,544 A	9/1949	Waggoner	
2,843,287 A	9/1954	Finley	
3,219,226 A	11/1965	Schroeder	
3,955,672 A	5/1976	Brundage	
D256,201 S *	8/1980	Ventura	D6/513
D271,932 S	12/1983	Mosley	
4,607,758 A *	8/1986	Stevens	A47G 19/06 206/509
4,867,331 A	9/1989	Task	



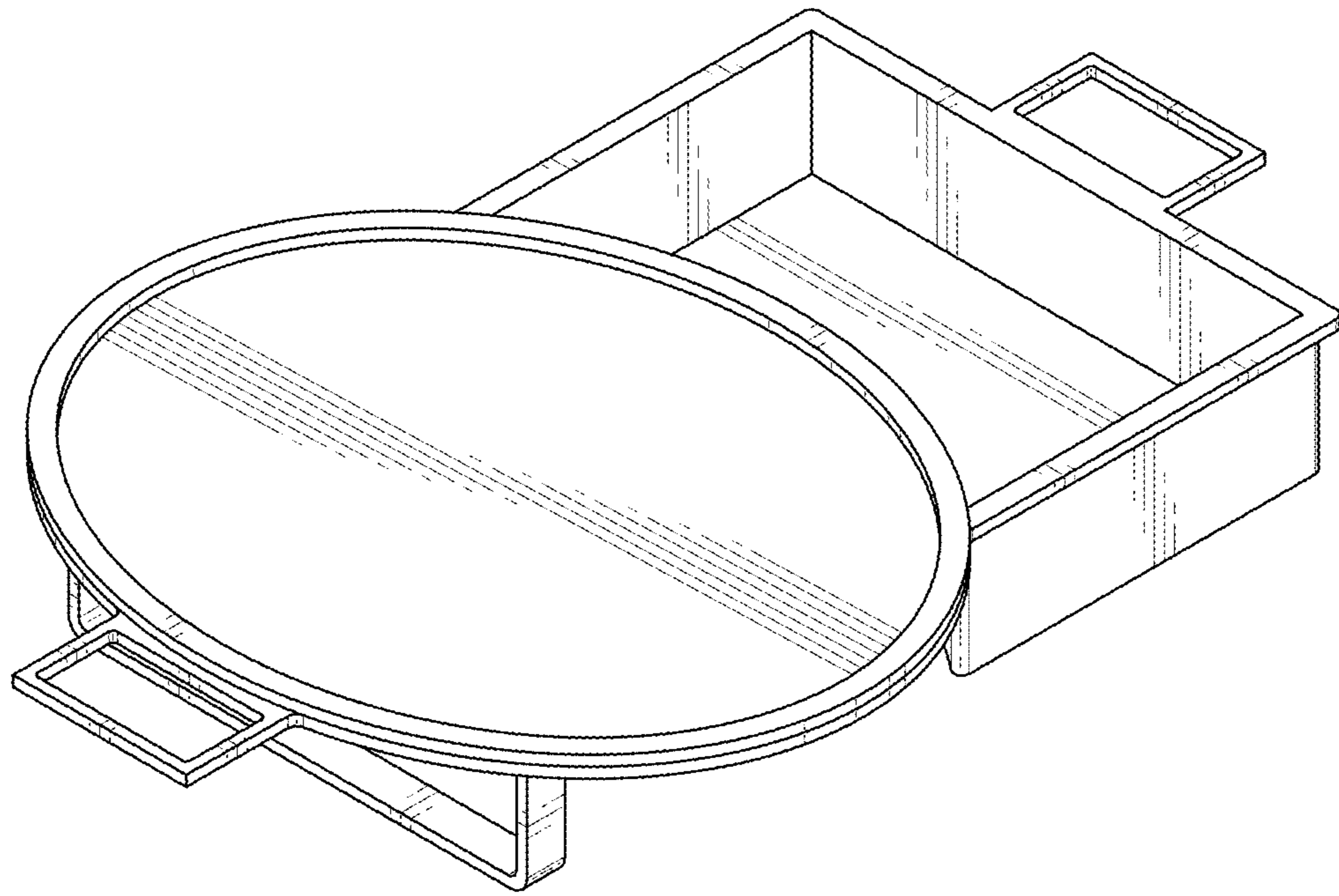


FIG. 1

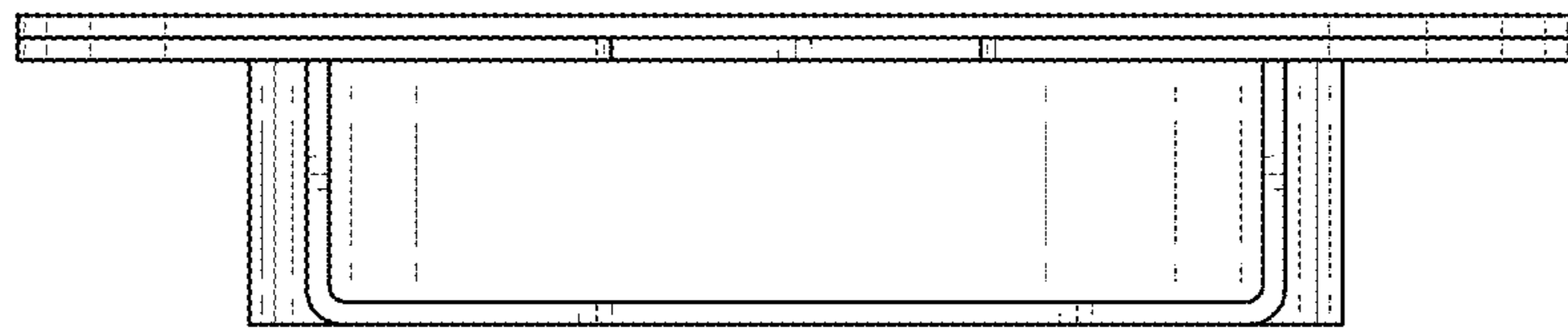


FIG. 2

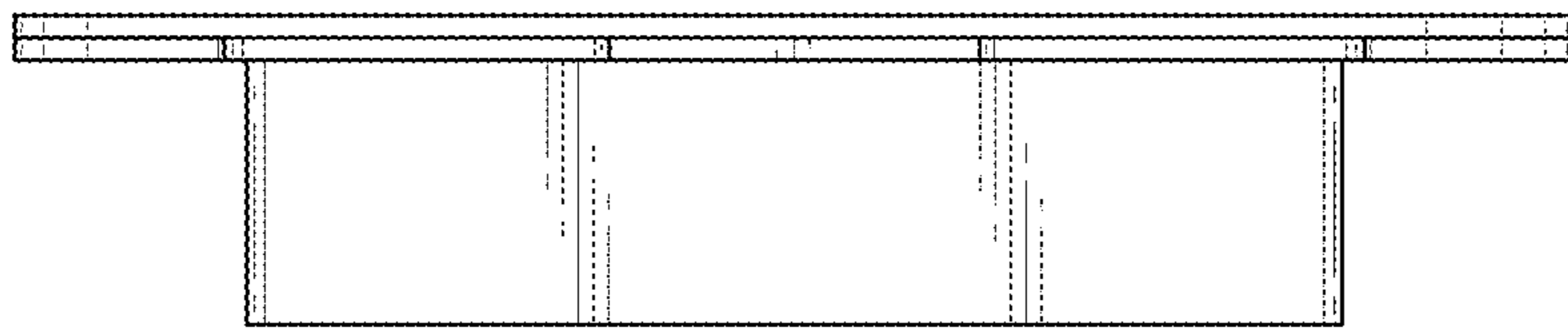


FIG. 3

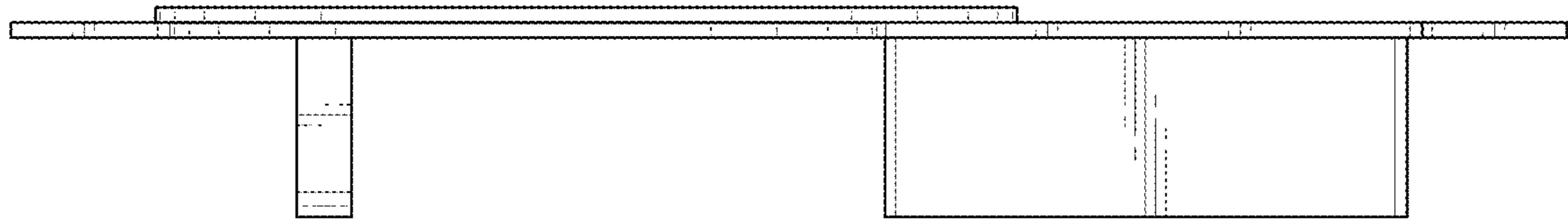


FIG. 4

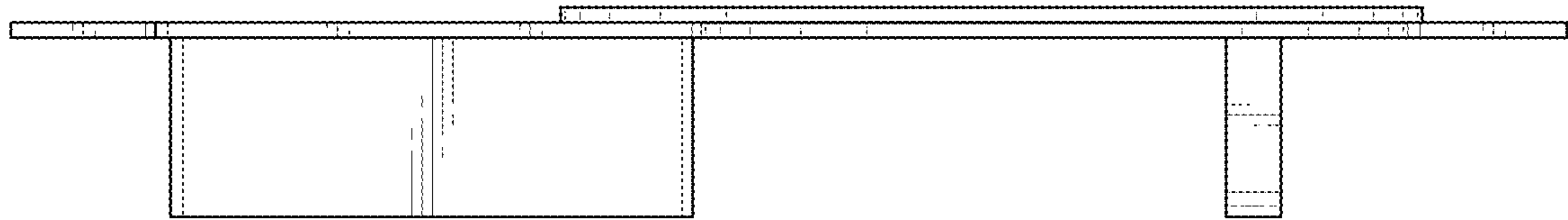


FIG. 5

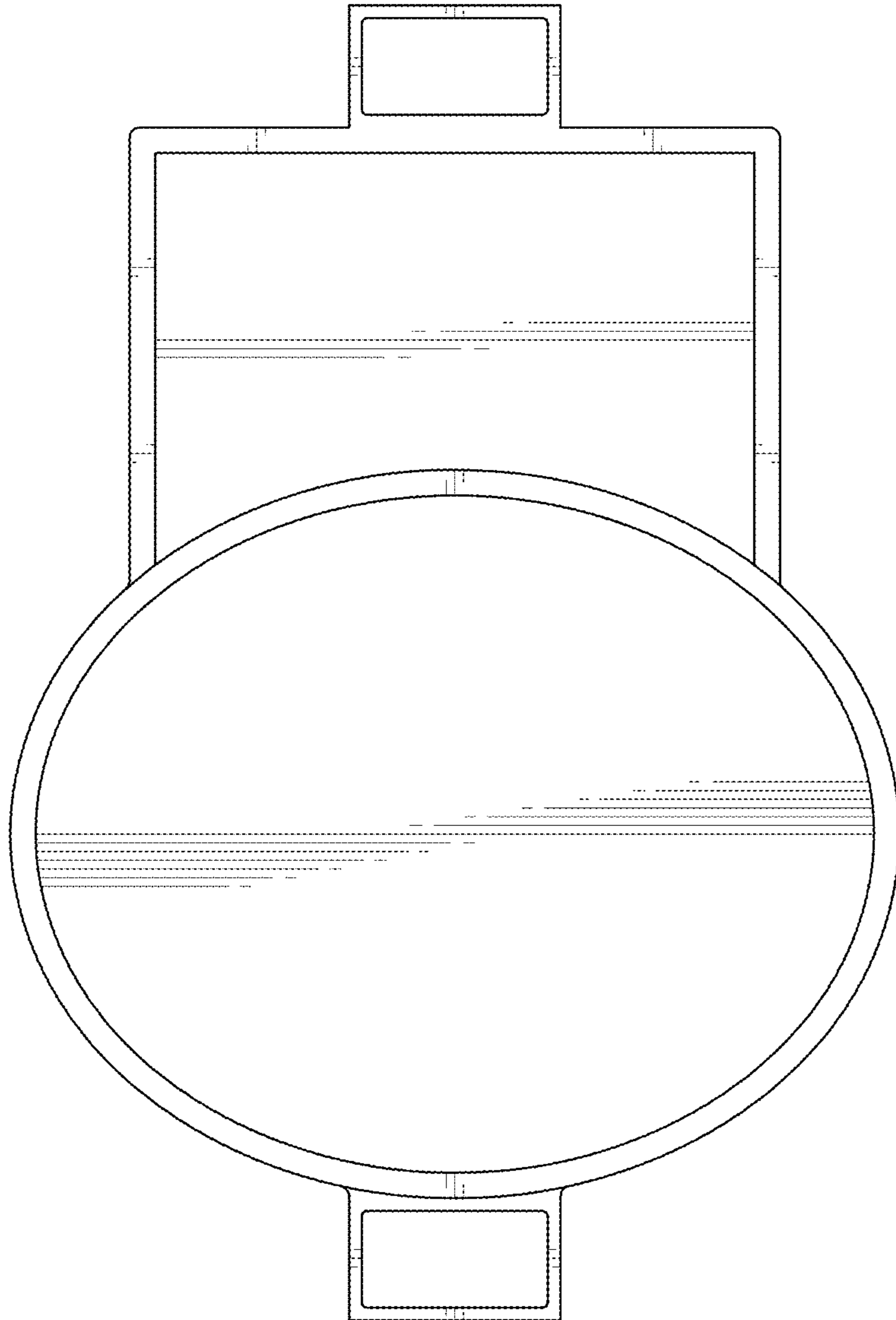


FIG. 6

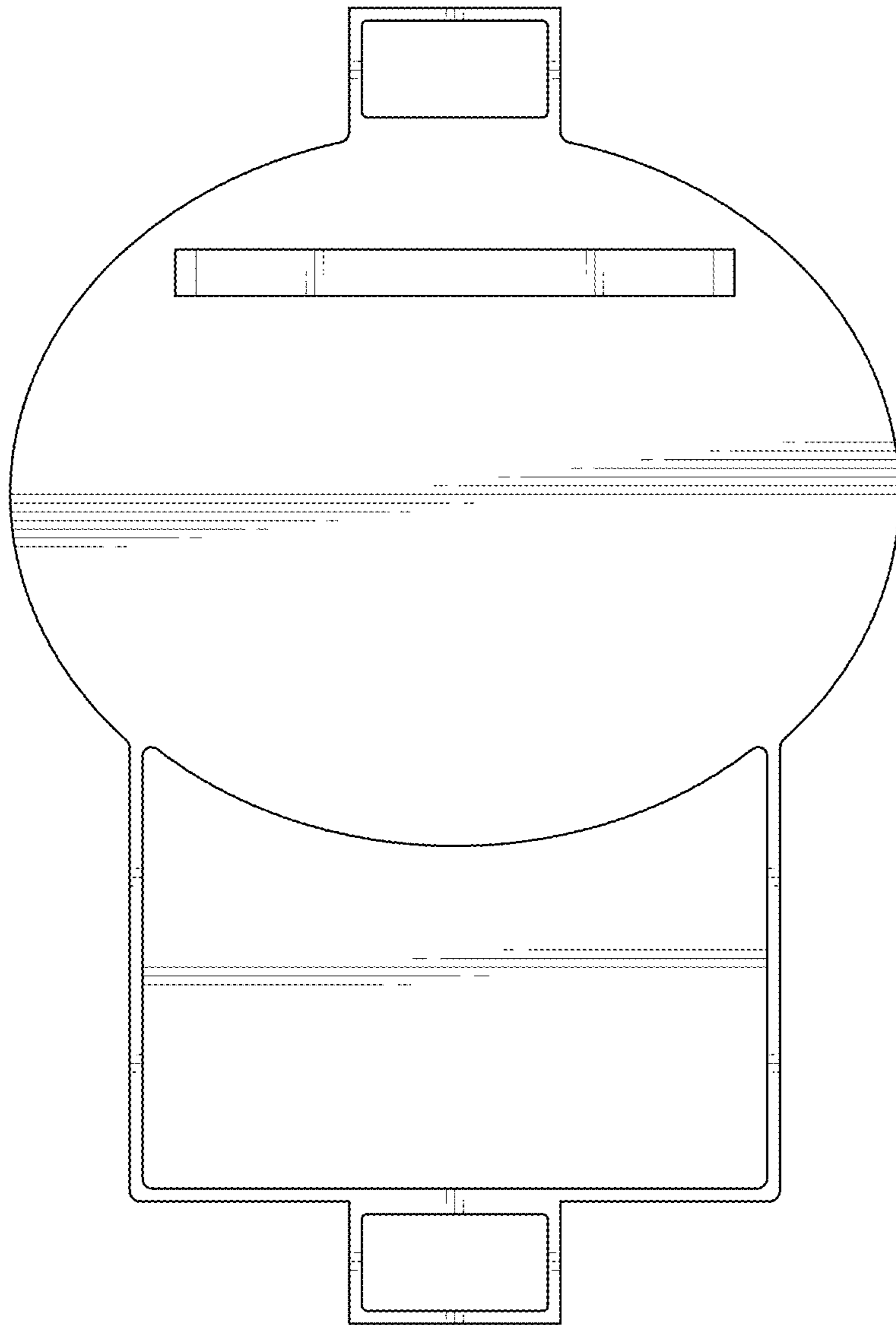


FIG. 7