



US00D962003S

(12) **United States Design Patent**
Toikka et al.

(10) **Patent No.:** **US D962,003 S**
(45) **Date of Patent:** **** Aug. 30, 2022**

(54) **STEM GLASS**

(71) Applicants: **Fiskars Finland Oy Ab**, Helsinki (FI);
Jussi Toikka, Espoo (FI)

(72) Inventors: **Oiva Toikka**, Helsinki (FI); **Ville Toikka**, Helsinki (FI)

(73) Assignee: **FISKARS FINLAND OY AB**, Helsinki (FI)

(**) Term: **15 Years**

(21) Appl. No.: **29/710,425**

(22) Filed: **Oct. 23, 2019**

(30) **Foreign Application Priority Data**

Apr. 23, 2019 (EM) 006381000

(51) **LOC (13) Cl.** **07-01**

(52) **U.S. Cl.**
USPC **D7/524; D7/537**

(58) **Field of Classification Search**
USPC D9/452, 527; D7/532, 533, 529, 392,
D7/522, 523, 524, 528, 525, 527, 536,
D7/509, 510, 507, 531, 535, 624.2, 511,
D7/608, 392.1, 900, 515, 396.2, 537, 387,
D7/396.1, 396.3, 396.4, 396.5, 396.6,
D7/624.1, 592; D15/90; D8/356;
D19/61
CPC A47G 19/22; A47G 19/2288; A47G
19/2227; A47G 19/2205; A47G 19/2255;
A47G 19/2272; A47G 7/06; A47G 25/10;
D65D 23/10; B67D 1/0462; A47B
81/007; A47F 5/05

See application file for complete search history.

(56) **References Cited**

U.S. PATENT DOCUMENTS

D83,852 S * 4/1931 Duncan D7/524
D93,120 S * 8/1934 Mann D7/524
D136,625 S * 11/1943 Richards D7/537

(Continued)

FOREIGN PATENT DOCUMENTS

CN 303765972 * 8/2016
CN 304391208 * 12/2017

(Continued)

OTHER PUBLICATIONS

Littala, "Bubbles for the everyday!" Jun. 12, 2016, Facebook.com, www.facebook.com/littala/photos/a.155472351254372/830433830424884 (Year: 2016).*

(Continued)

Primary Examiner — Joseph Kukella

Assistant Examiner — Arva P Adams

(74) *Attorney, Agent, or Firm* — Leason Ellis LLP

(57) **CLAIM**

The ornamental design for a stem glass, as shown and described.

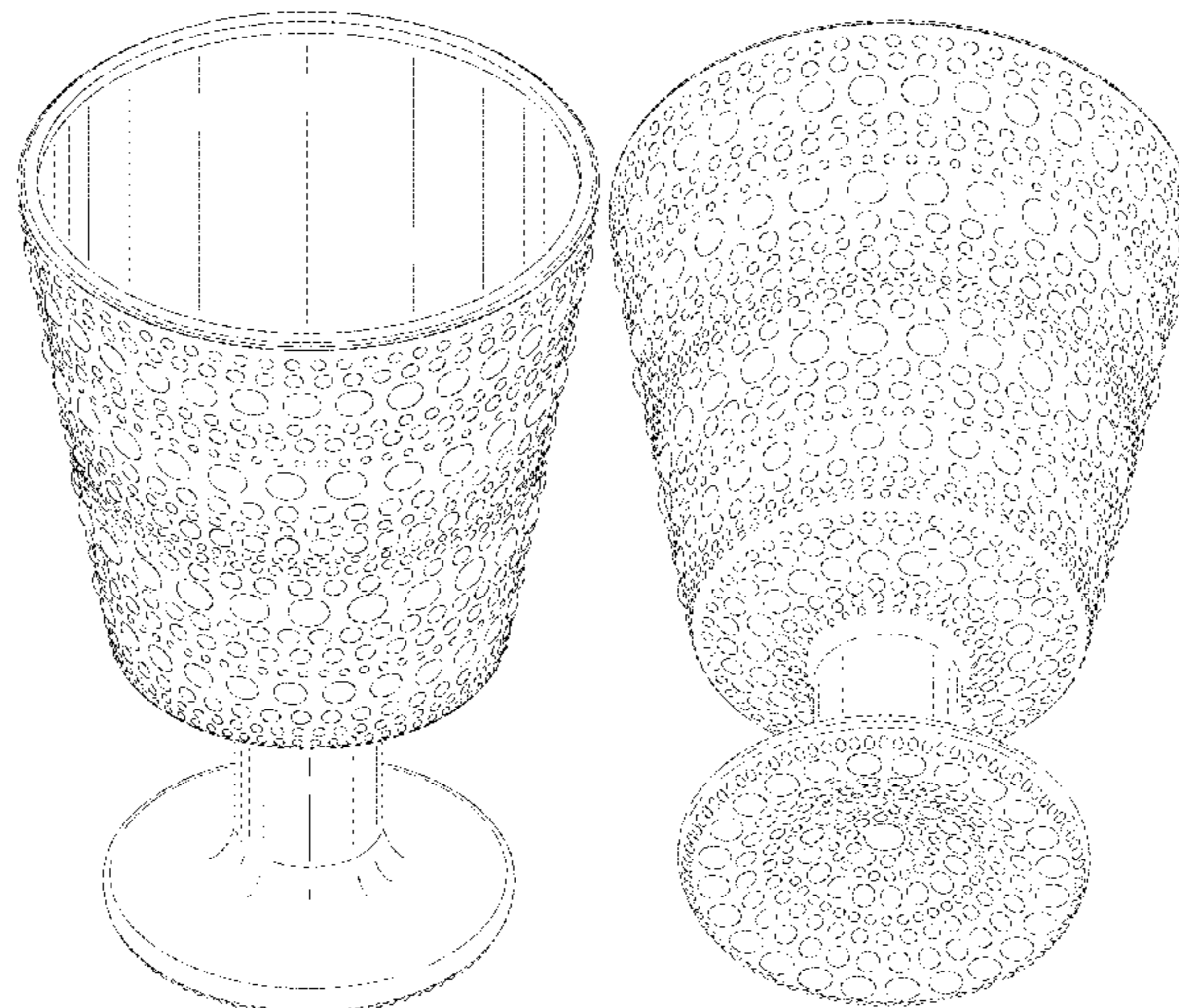
DESCRIPTION

FIG. 1 is a top-front isometric view of a rotationally symmetric stem glass according to our new design; FIG. 2 is a bottom-front isometric view thereof; FIG. 3 is a top plan view thereof; FIG. 4 is a bottom plan view thereof; FIG. 5 is a front view thereof, the rear and side views being rotationally symmetric; and, FIG. 6 is a cross-sectional outline of the front view thereof taken along line 6-6 of FIG. 5.

Conventional shading is illustrated for purposes of highlighting the line drawings, but forms no part of the claimed design.

The cross-sectional view reveals a thickness of the glass and stem as well as interior and exterior contours.

1 Claim, 6 Drawing Sheets



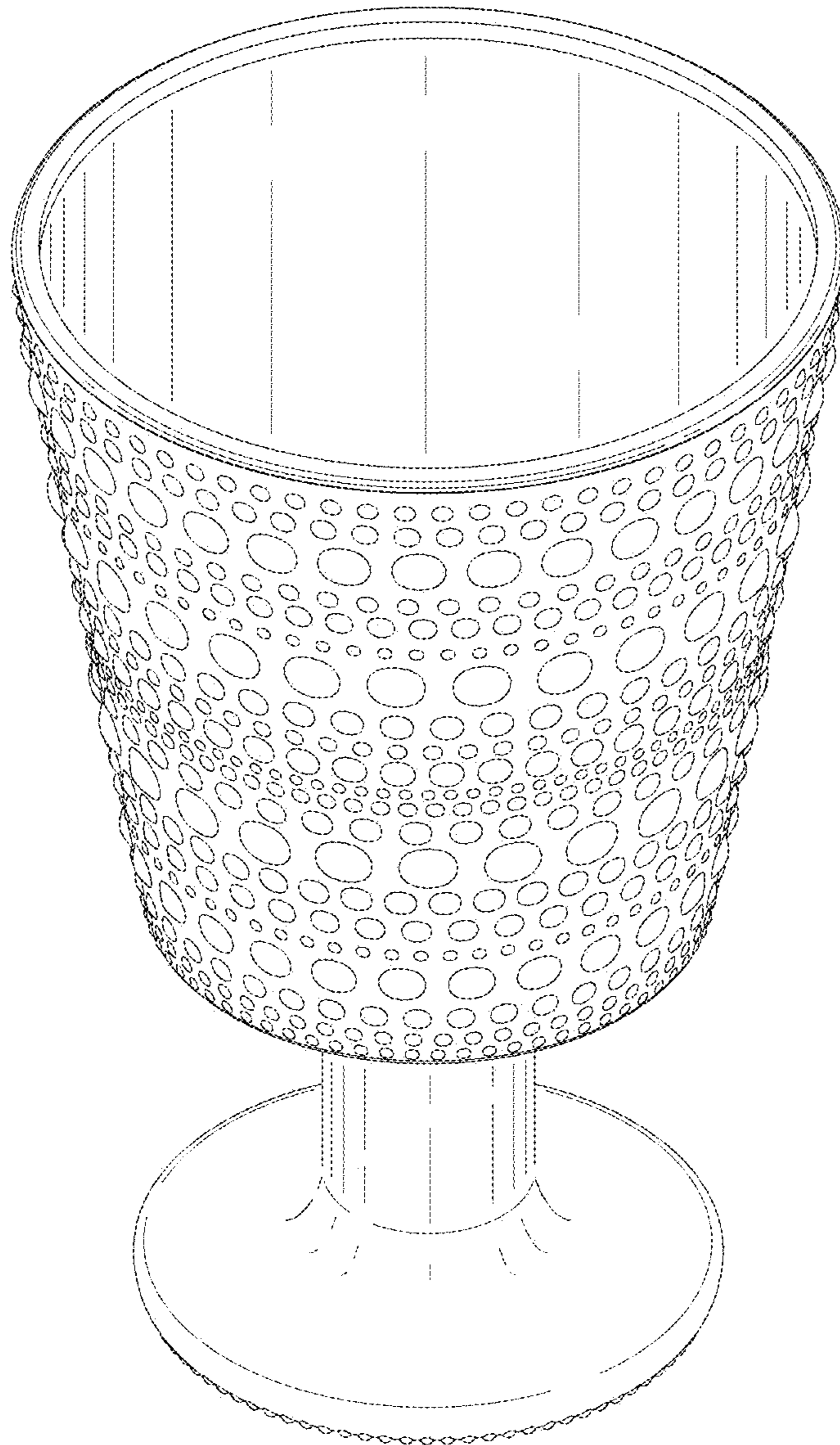


FIG. 1

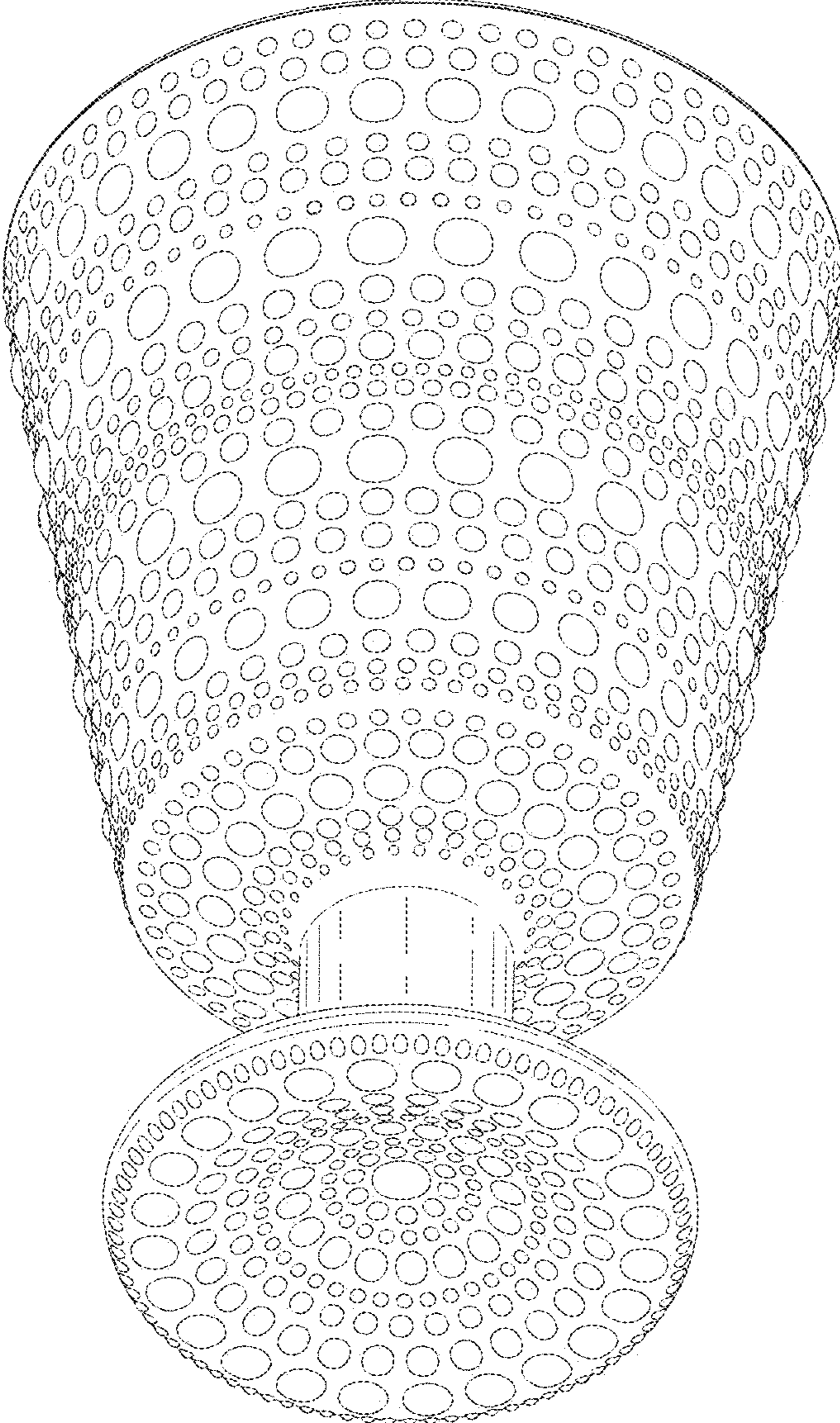


FIG. 2

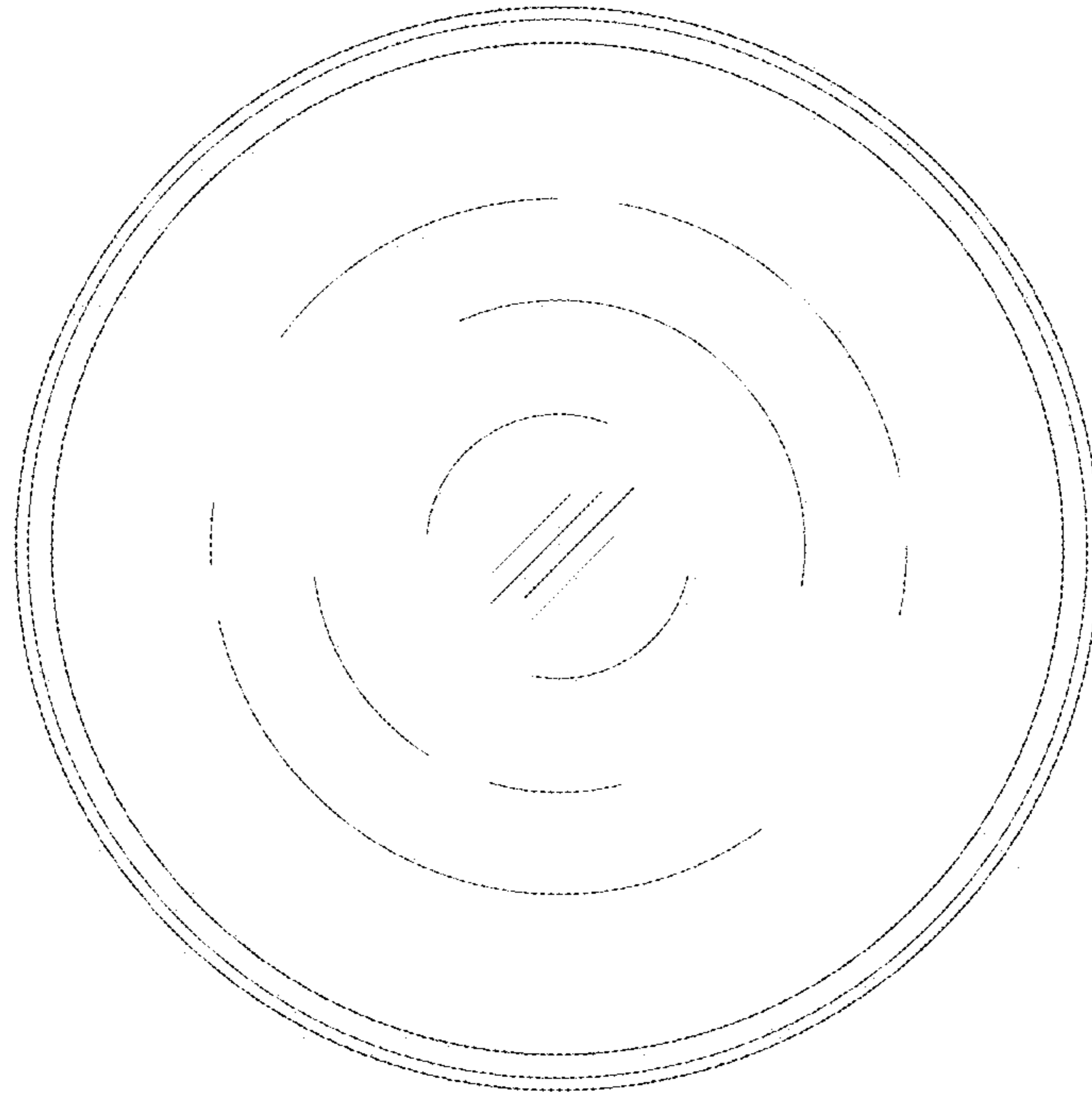


FIG. 3

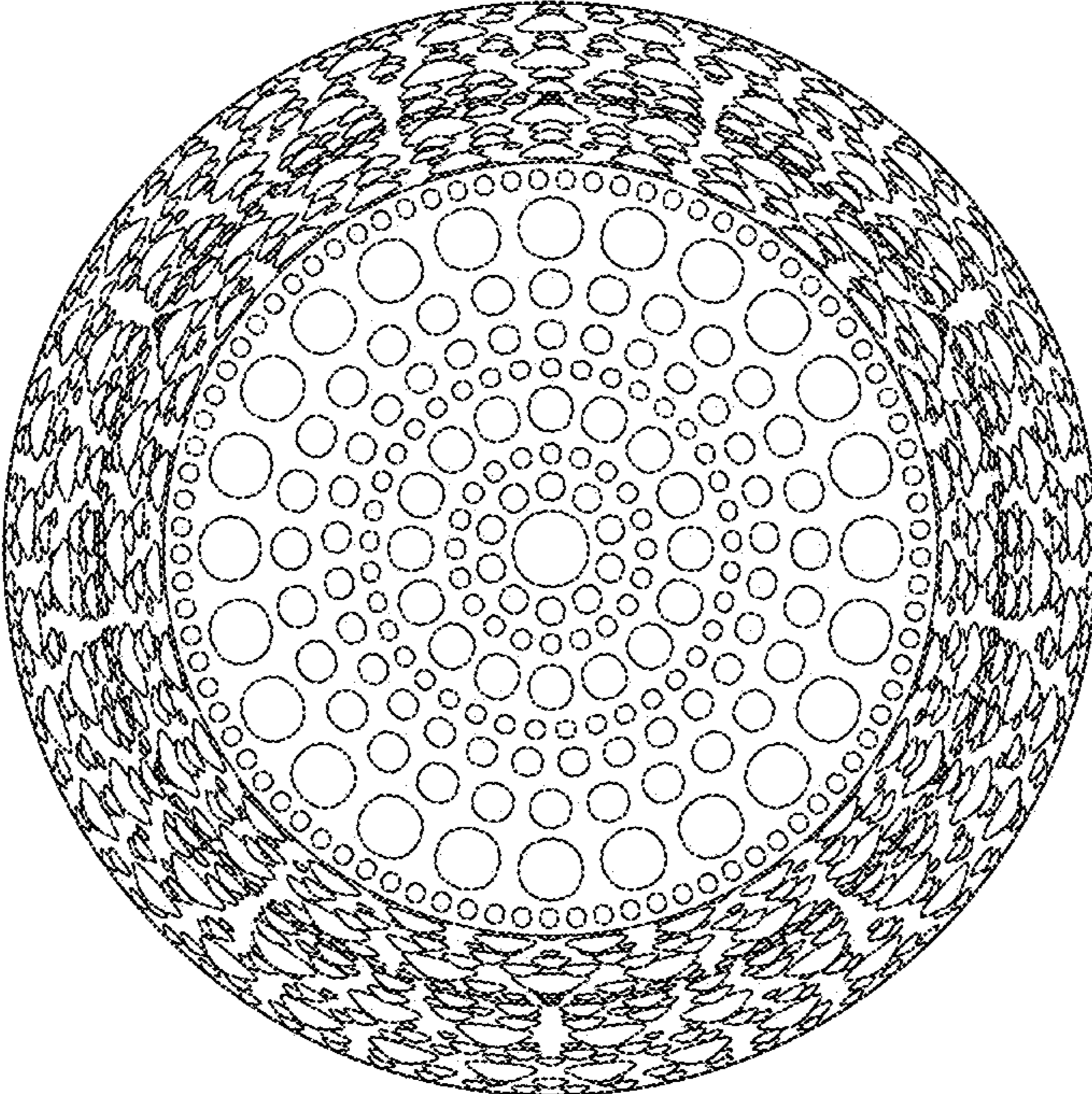


FIG. 4

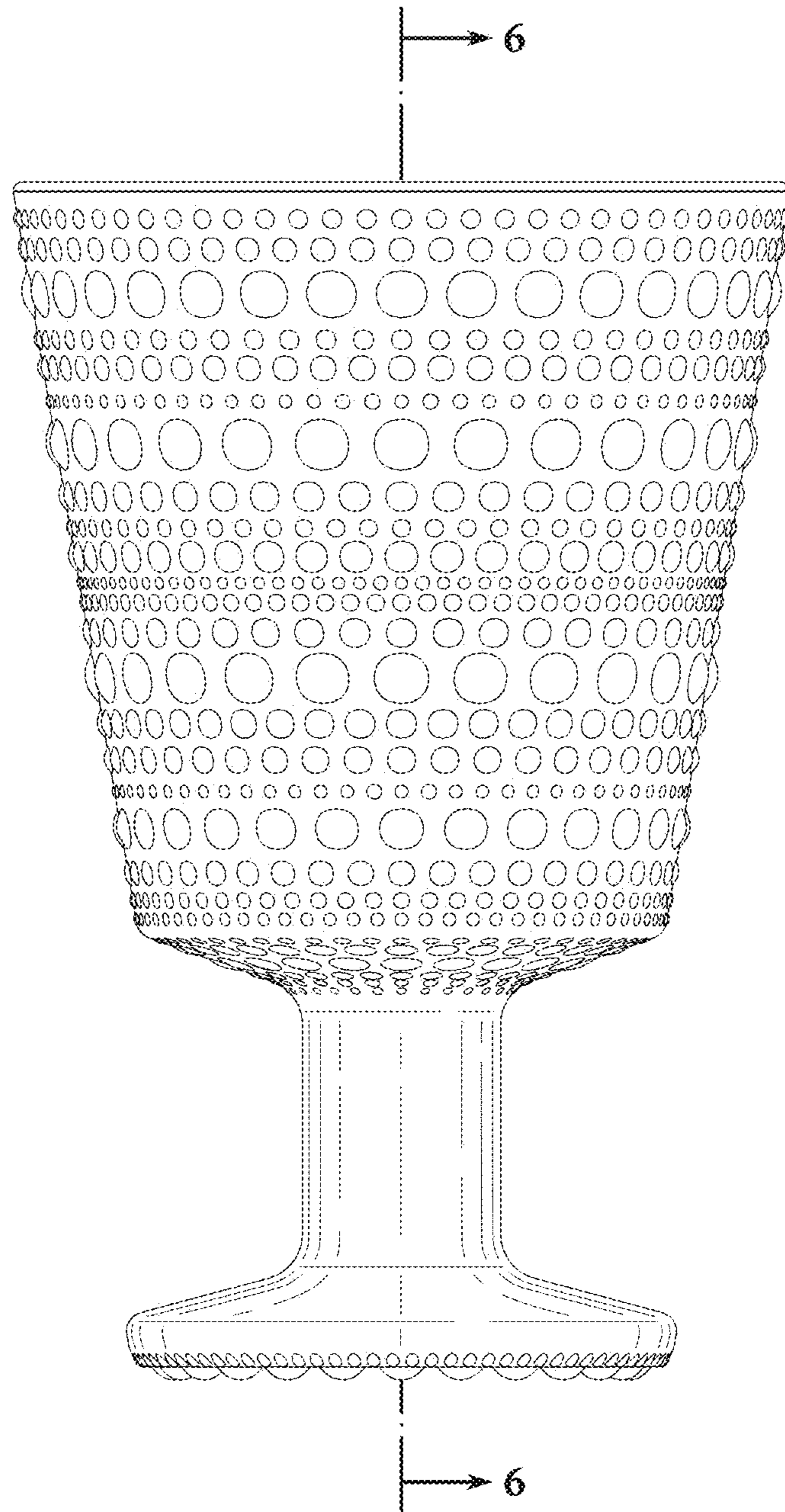


FIG. 5

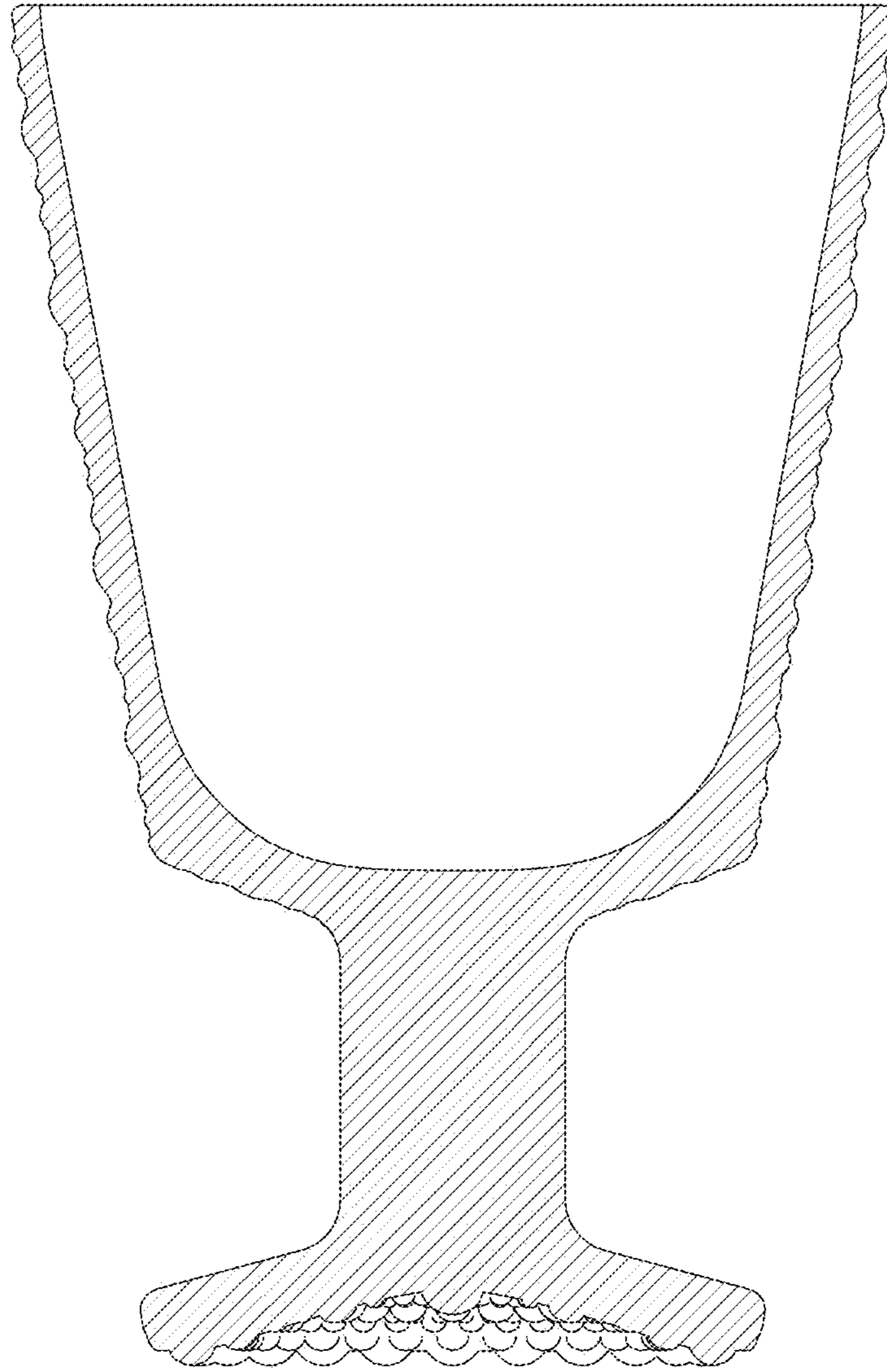


FIG. 6