



US00D962001S

(12) **United States Design Patent**
Reoch

(10) **Patent No.:** **US D962,001 S**

(45) **Date of Patent:** **** Aug. 30, 2022**

(54) **SAILBOAT EMBLEM**

(71) Applicant: **Chris Reoch**, Milwaukee, WI (US)

(72) Inventor: **Chris Reoch**, Milwaukee, WI (US)

(**) Term: **15 Years**

(21) Appl. No.: **29/737,795**

(22) Filed: **Jun. 11, 2020**

(51) **LOC (13) Cl.** **07-99**

(52) **U.S. Cl.**
USPC **D7/515**; D7/507; D7/396.2; D9/678

(58) **Field of Classification Search**
USPC D7/392.1, 396.2, 396.6, 396.3, 213, 510,
D7/511, 522, 523, 537, 602, 514, 515;
D9/434, 435, 436, 440, 449, 454, 746,
D9/424, 707, 501, 678
CPC .. A45F 3/16; B65D 41/56; B65D 3/24; B65D
83/205; A47G 19/2272
See application file for complete search history.

(56) **References Cited**

U.S. PATENT DOCUMENTS

D321,847 S	*	11/1991	Nys	D11/131
D370,885 S	*	6/1996	Brock	D12/303
D526,595 S	*	8/2006	Taddeo	D11/147
D677,339 S	*	3/2013	Bengyak	D20/33
D851,454 S	*	6/2019	Lefkowitz	D7/505
D864,747 S	*	10/2019	Franco	D9/678
D928,688 S	*	8/2021	Doyle	D12/303

OTHER PUBLICATIONS

<https://www.wayfair.com/kitchen-tabletop/pdp/5-star-super-deals-2pc-3d-sea-wine-glass-with-3d-sailboat-inside-creative-high-end-crystal-wine-glass-nautical-ocean-theme-goblet-lead-free-large-650ml-17-oz-lead-free-crystal-jars1072.html> (Year: 2021).*

* cited by examiner

Primary Examiner — Jae Liang

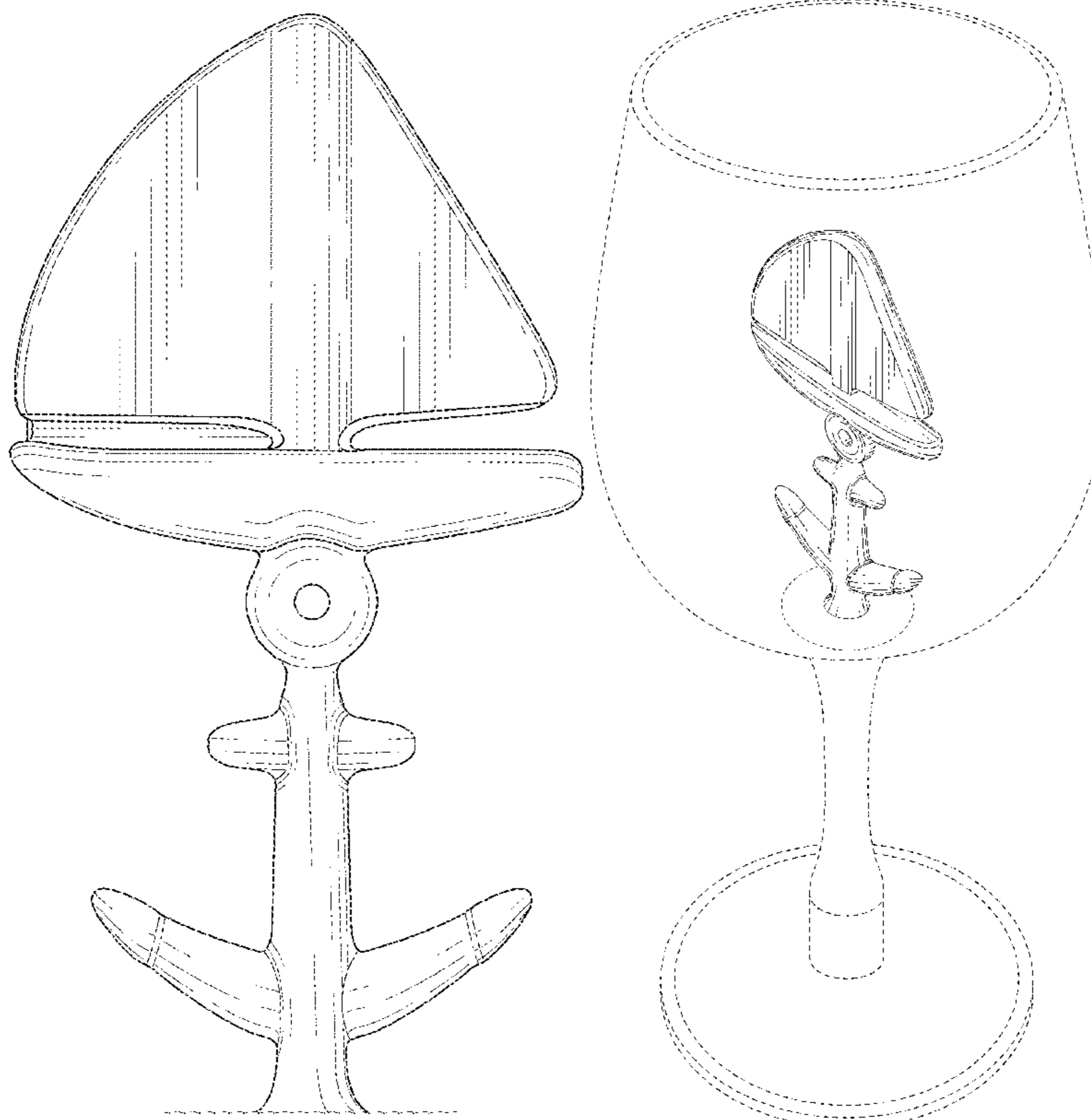
(57) **CLAIM**

The ornamental design for a sailboat emblem, as shown and described.

DESCRIPTION

FIG. 1 is a front-top perspective view of a sailboat emblem showing my new design;
FIG. 2 is a front-bottom perspective view thereof;
FIG. 3 is a rear-top perspective view thereof;
FIG. 4 is a front elevational view thereof;
FIG. 5 is a rear elevational view thereof;
FIG. 6 is a left elevational view thereof;
FIG. 7 is a right elevational view thereof;
FIG. 8 is a top plan view thereof;
FIG. 9 is a bottom plan view thereof; and,
FIG. 10 is a supplemental front-top perspective view of the sailboat emblem positioned within a wine glass.
The broken lines in the drawings depict environmental subject matter only and form no part of the claimed design.

1 Claim, 10 Drawing Sheets



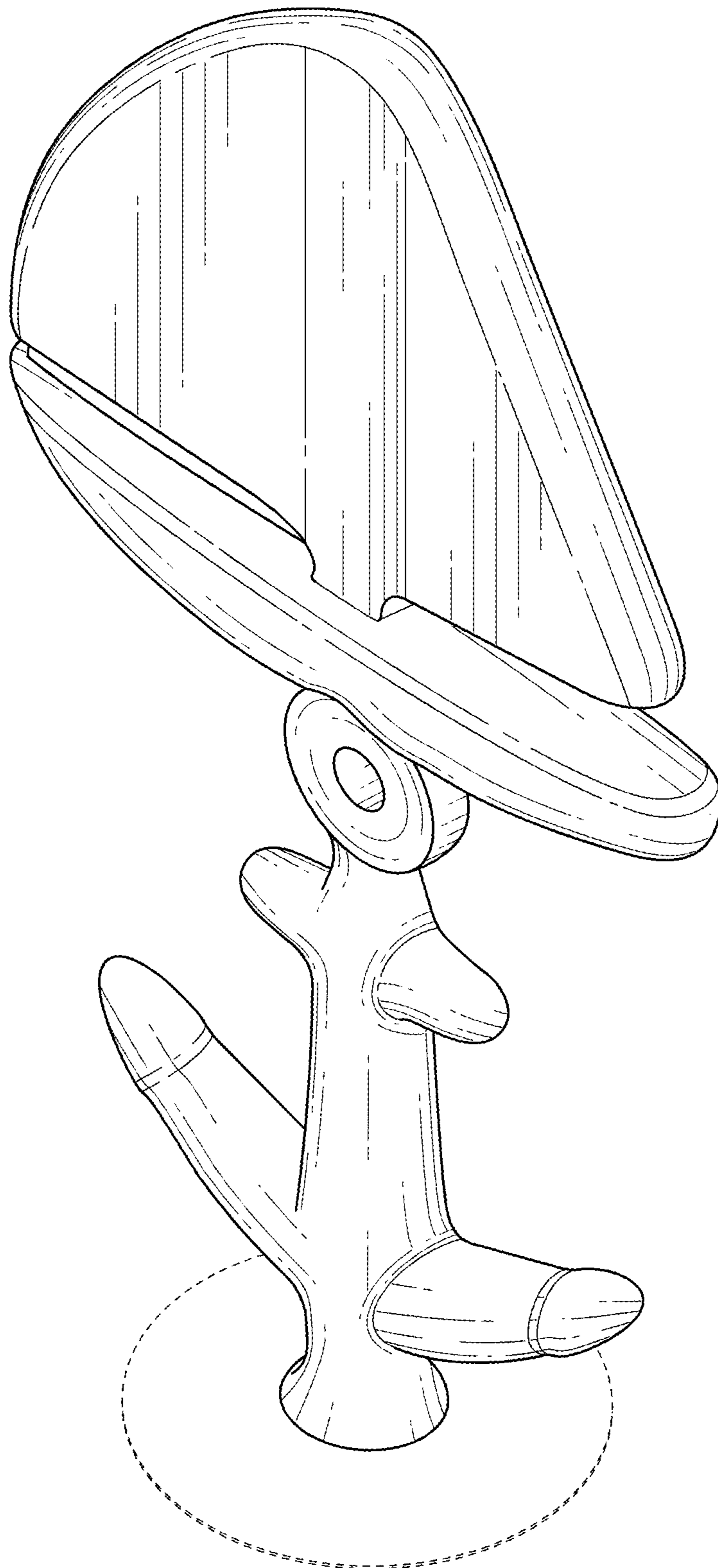


FIG. 1

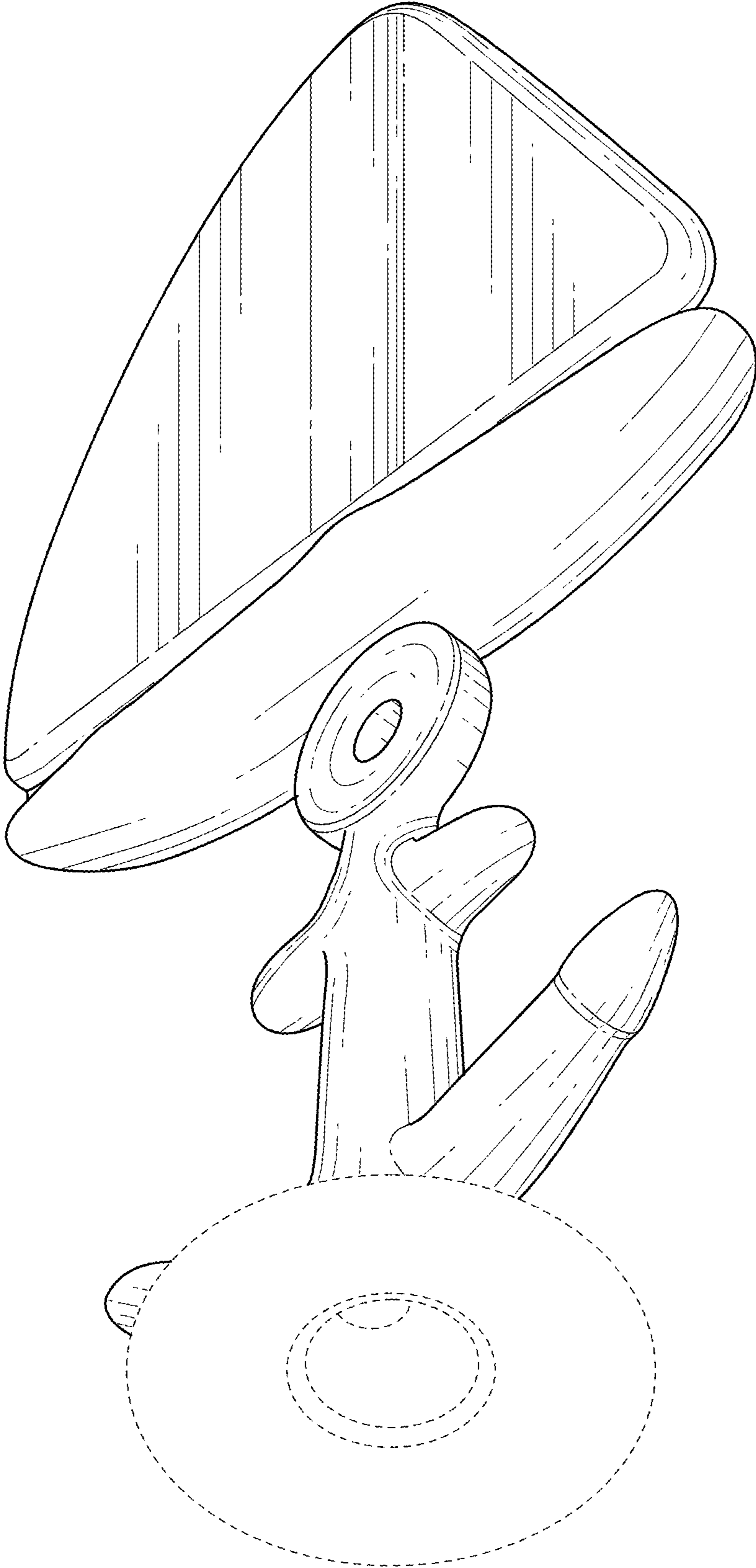


FIG. 2

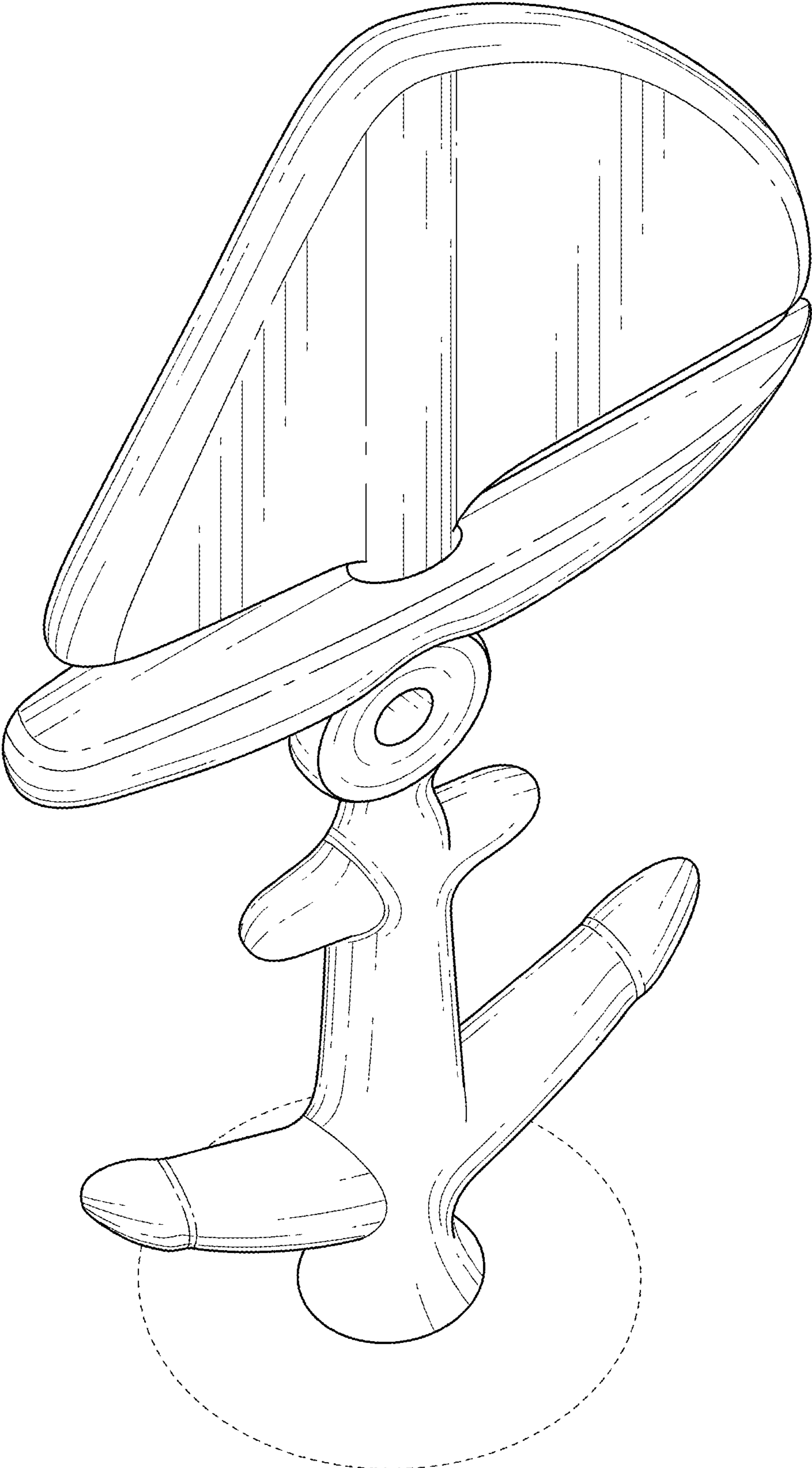


FIG. 3

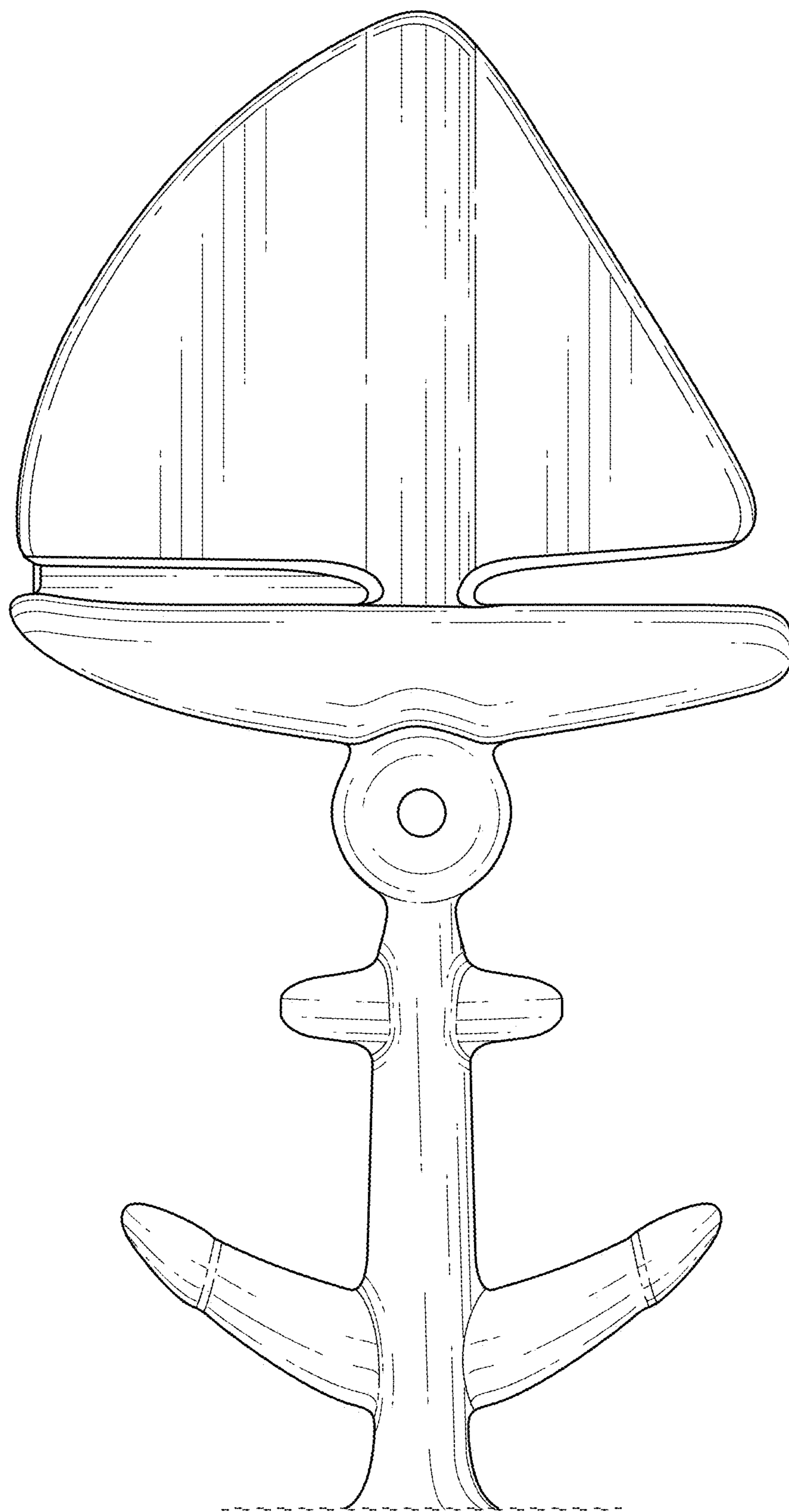


FIG. 4

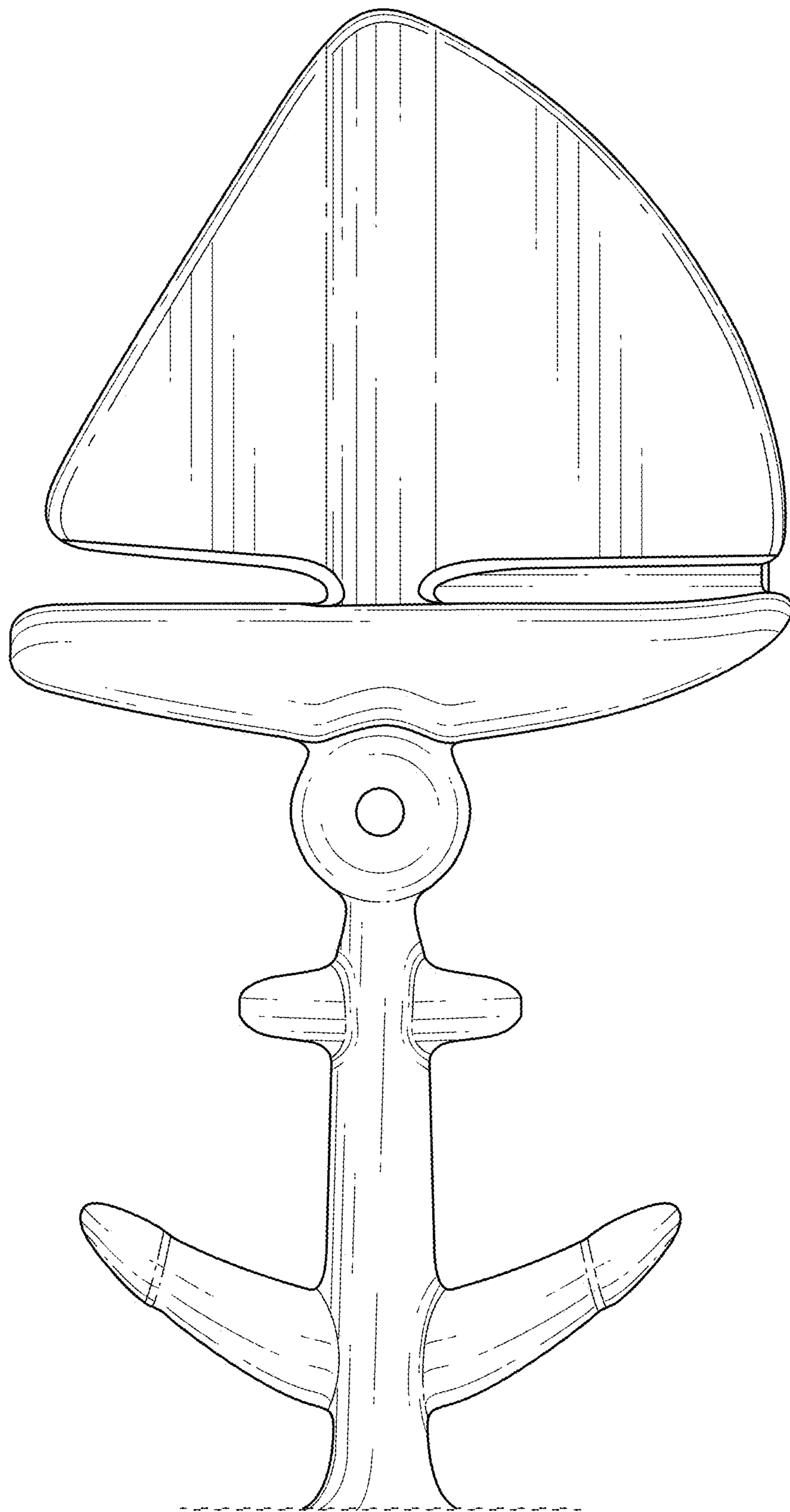


FIG. 5

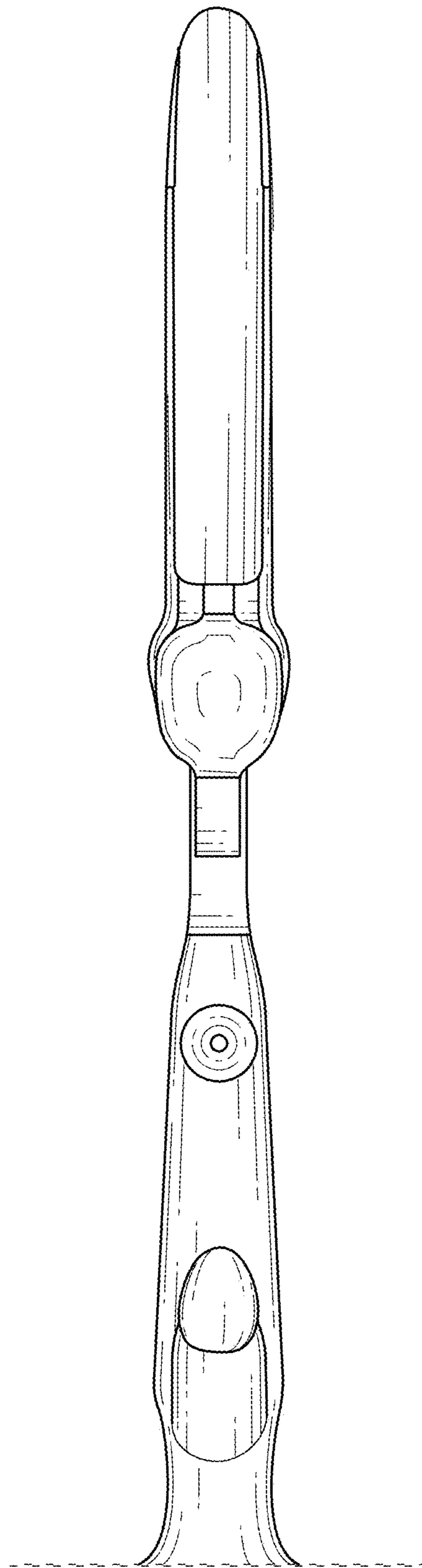


FIG. 6

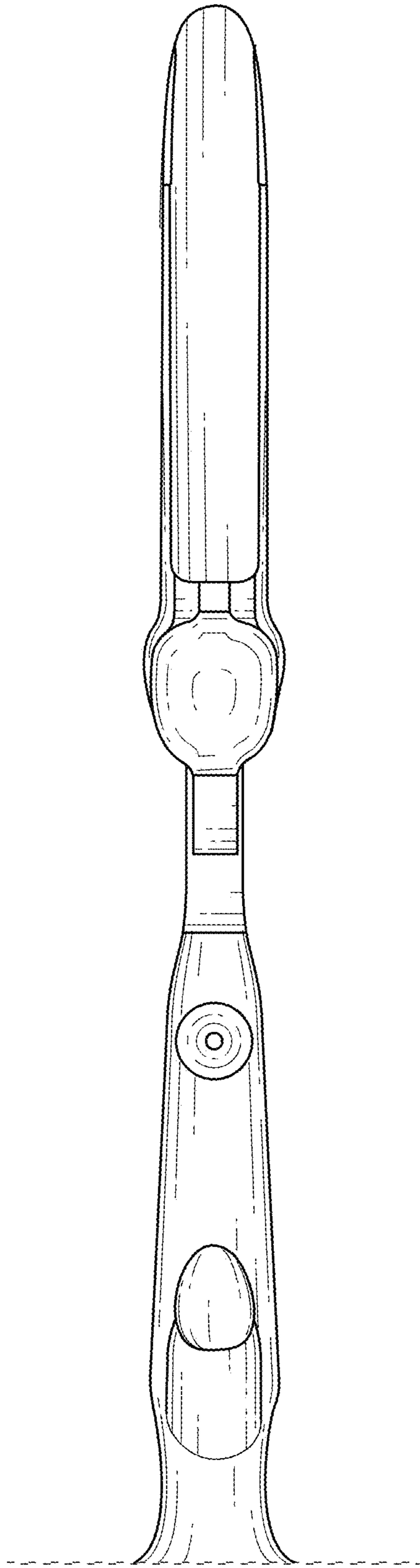


FIG. 7

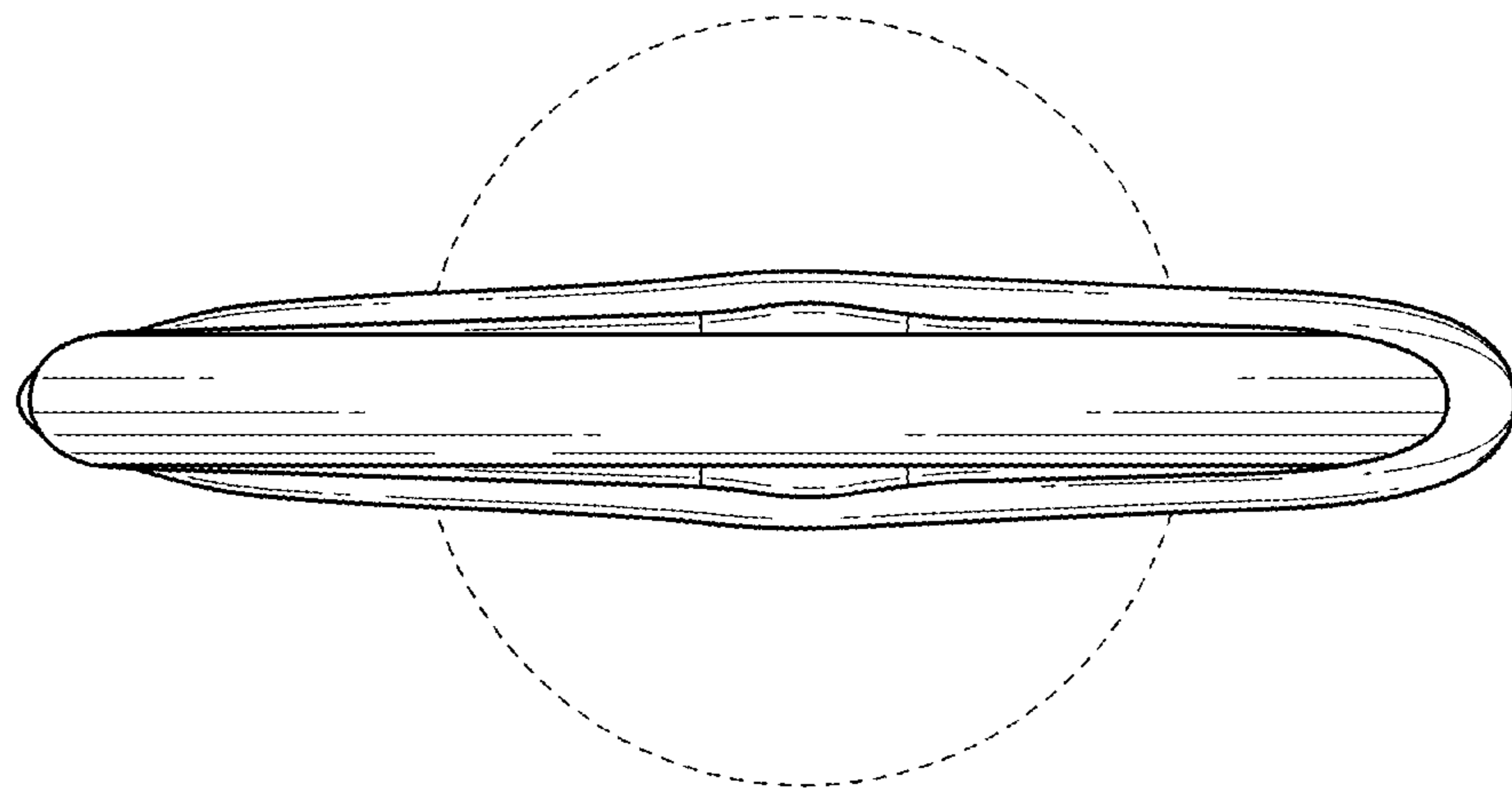


FIG. 8

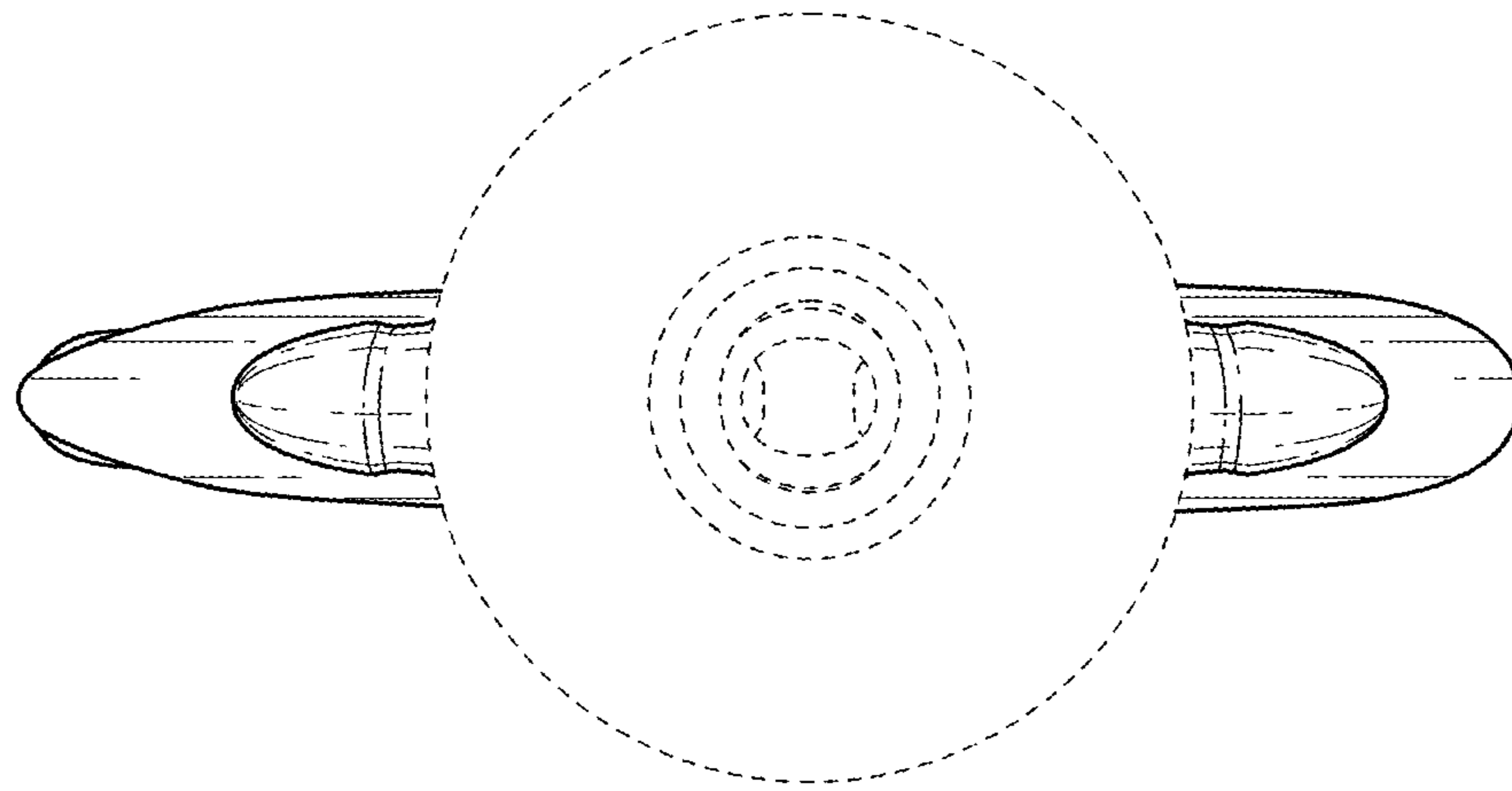


FIG. 9

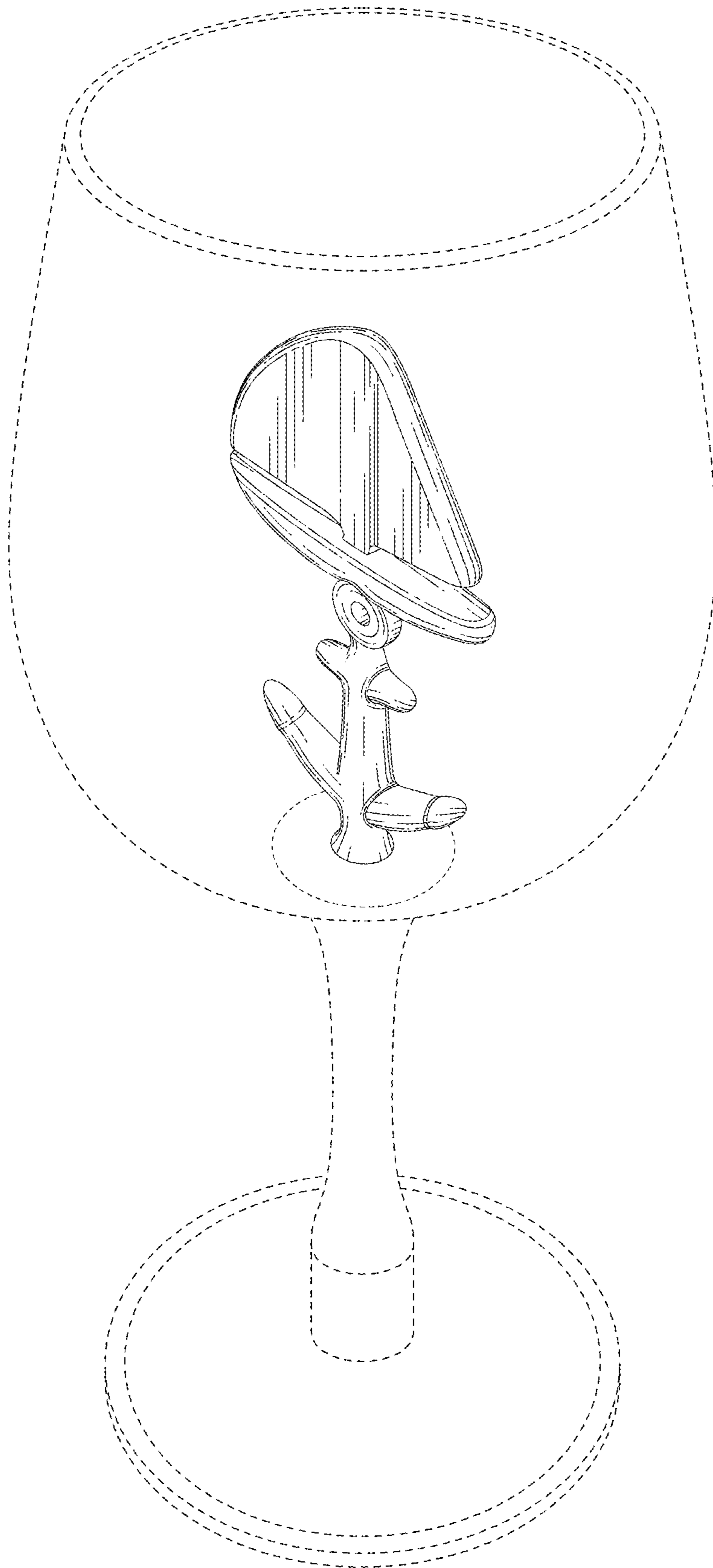


FIG. 10