



US00D961999S

(12) **United States Design Patent** (10) **Patent No.:** **US D961,999 S**  
**Ni** (45) **Date of Patent:** **\*\* Aug. 30, 2022**

(54) **BEVERAGE CONTAINER**  
(71) Applicant: **Zhenming Ni**, San Marino, CA (US)  
(72) Inventor: **Zhenming Ni**, San Marino, CA (US)  
(\*\*) Term: **15 Years**  
(21) Appl. No.: **29/733,754**  
(22) Filed: **May 6, 2020**  
(51) **LOC (13) Cl.** ..... **07-01**  
(52) **U.S. Cl.**  
USPC ..... **D7/511**  
(58) **Field of Classification Search**  
USPC ..... D7/300, 313, 316, 507, 509, 510, 511,  
D7/602, 605, 608, 619, 622  
CPC .. A47J 41/00; A47J 43/00; A47J 47/00; A47J  
47/02; A47J 47/08; A47G 19/2205; A47G  
23/16; A47G 19/2272; A47G 19/2288;  
A47G 19/23; A45F 3/16; A45F  
2200/0583; B65D 1/265; B65D 3/22;  
B65D 81/3453; B65D 81/3865  
See application file for complete search history.

(56) **References Cited**  
U.S. PATENT DOCUMENTS  
D377,293 S \* 1/1997 Husted ..... D7/510  
D586,182 S \* 2/2009 Trombly ..... D7/509  
D652,681 S \* 1/2012 Monugian ..... D7/510  
D721,250 S \* 1/2015 Chen ..... D7/510  
D750,436 S \* 3/2016 Hopkins ..... D7/523  
D774,827 S \* 12/2016 Miller ..... D7/523  
D833,818 S \* 11/2018 Sletten ..... A47G 19/2255  
D7/510  
D836,395 S \* 12/2018 Seiders ..... D7/510

D859,919 S \* 9/2019 Gronkowski ..... D7/510  
D871,847 S \* 1/2020 Delgado Carmona ..... D7/523  
10,549,902 B1 \* 2/2020 Brown, II ..... A47G 19/2255  
D897,777 S \* 10/2020 Kaiser ..... D7/523  
D908,431 S \* 1/2021 Jacobsen ..... D7/511  
D924,632 S \* 7/2021 Hamilton ..... D7/510  
D927,926 S \* 8/2021 Jin ..... D7/392.1  
D927,935 S \* 8/2021 Ames ..... D7/510  
D930,435 S \* 9/2021 Bruner ..... B65D 1/265  
D7/509  
D931,051 S \* 9/2021 Ames ..... D7/510  
D933,423 S \* 10/2021 Ames ..... D7/510  
2008/0264959 A1 \* 10/2008 Unda ..... B65D 1/265  
220/711

\* cited by examiner

*Primary Examiner* — Joseph Kukella  
*Assistant Examiner* — Darryl J Dardenne  
(74) *Attorney, Agent, or Firm* — Tsz Lung Yeung

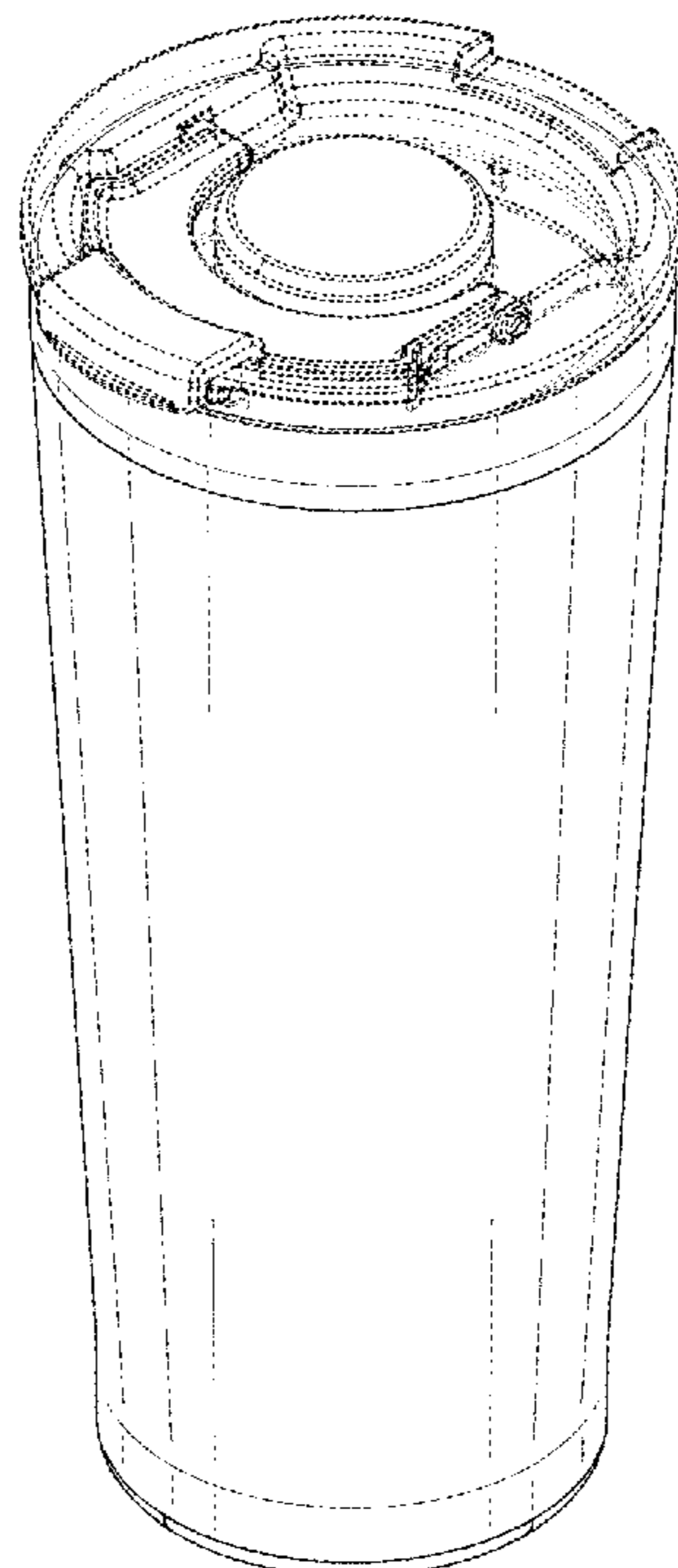
(57) **CLAIM**

The ornamental design for a beverage container, as shown and described.

**DESCRIPTION**

FIG. 1 is a perspective view of a beverage container showing my new design;  
FIG. 2 is a front view thereof;  
FIG. 3 is a rear view thereof;  
FIG. 4 is a left side view thereof;  
FIG. 5 is a right side view thereof;  
FIG. 6 is a top view thereof; and,  
FIG. 7 is a bottom view thereof.  
The broken lines depict portions of the beverage container that form no part of the claimed design.

**1 Claim, 7 Drawing Sheets**



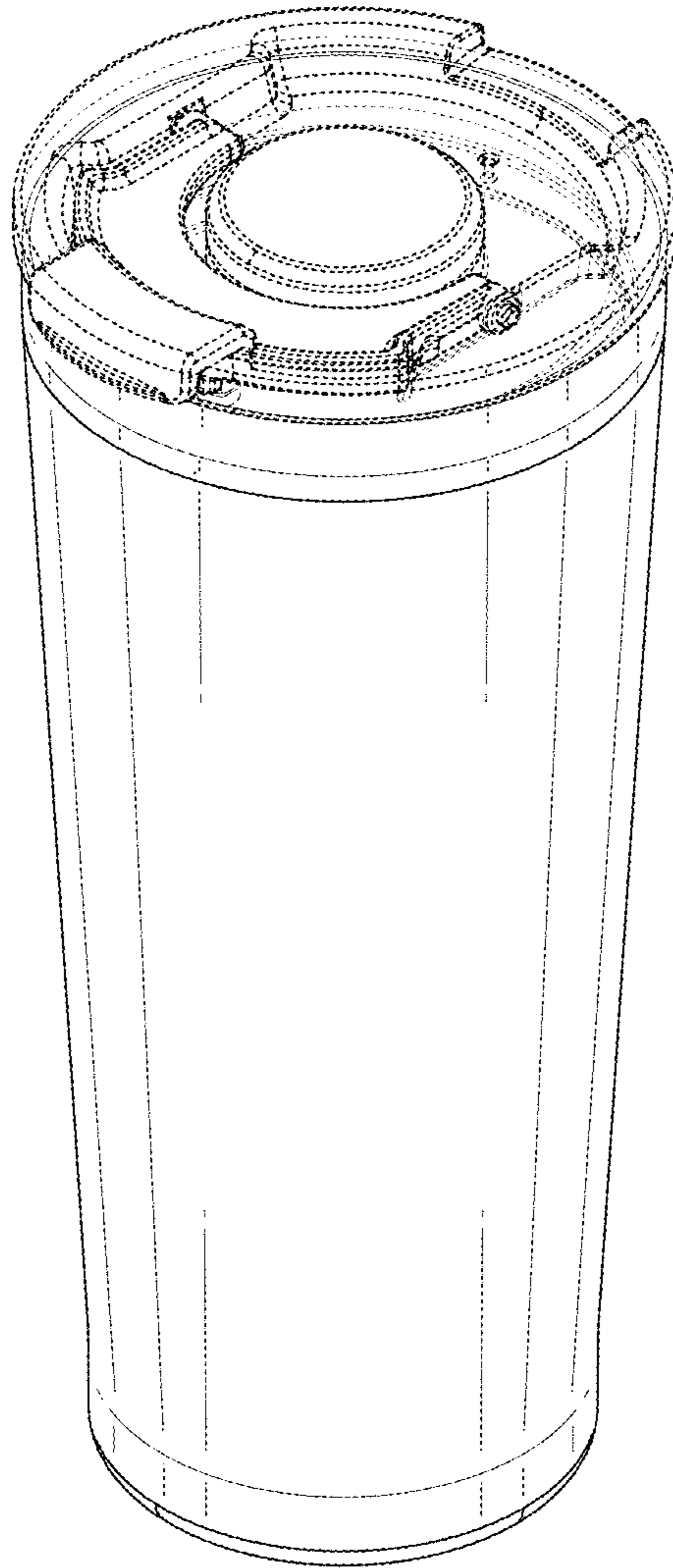


FIG. 1

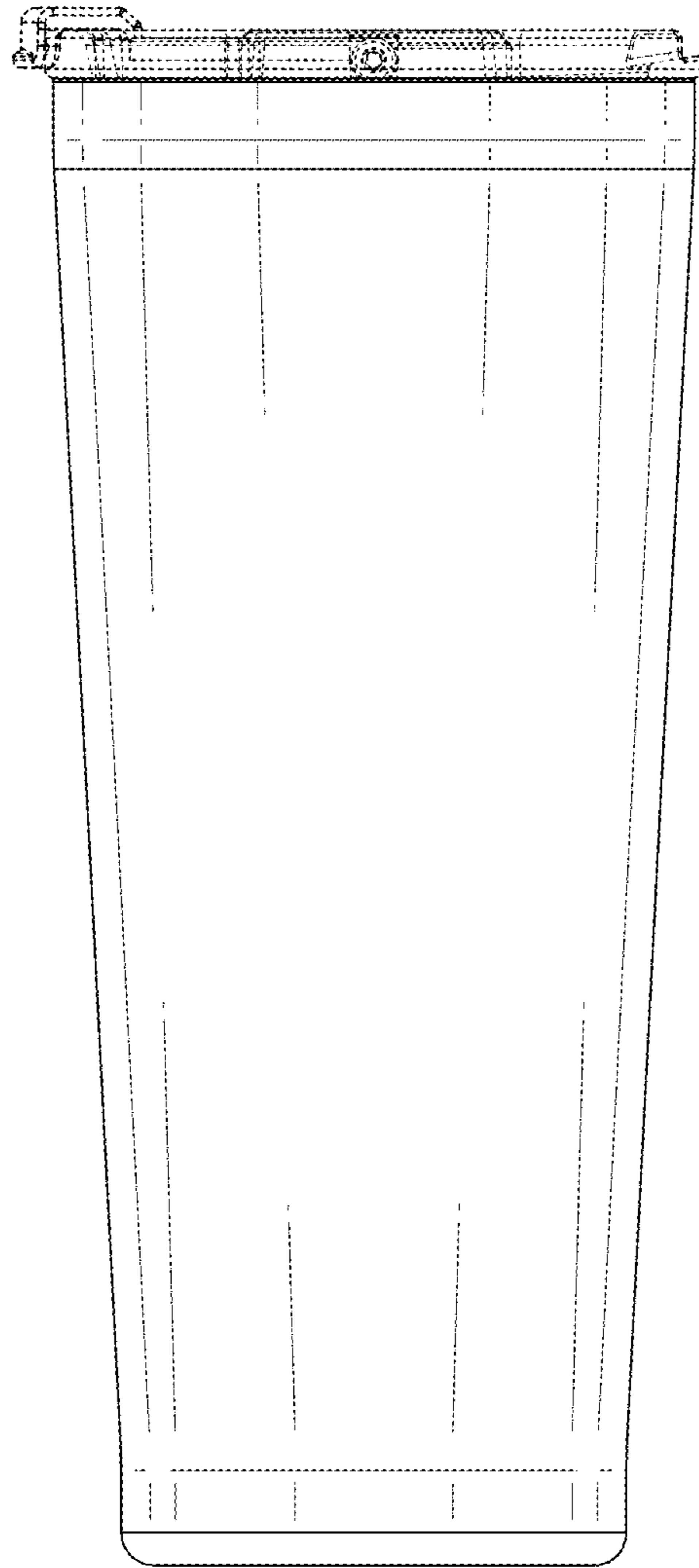


FIG. 2

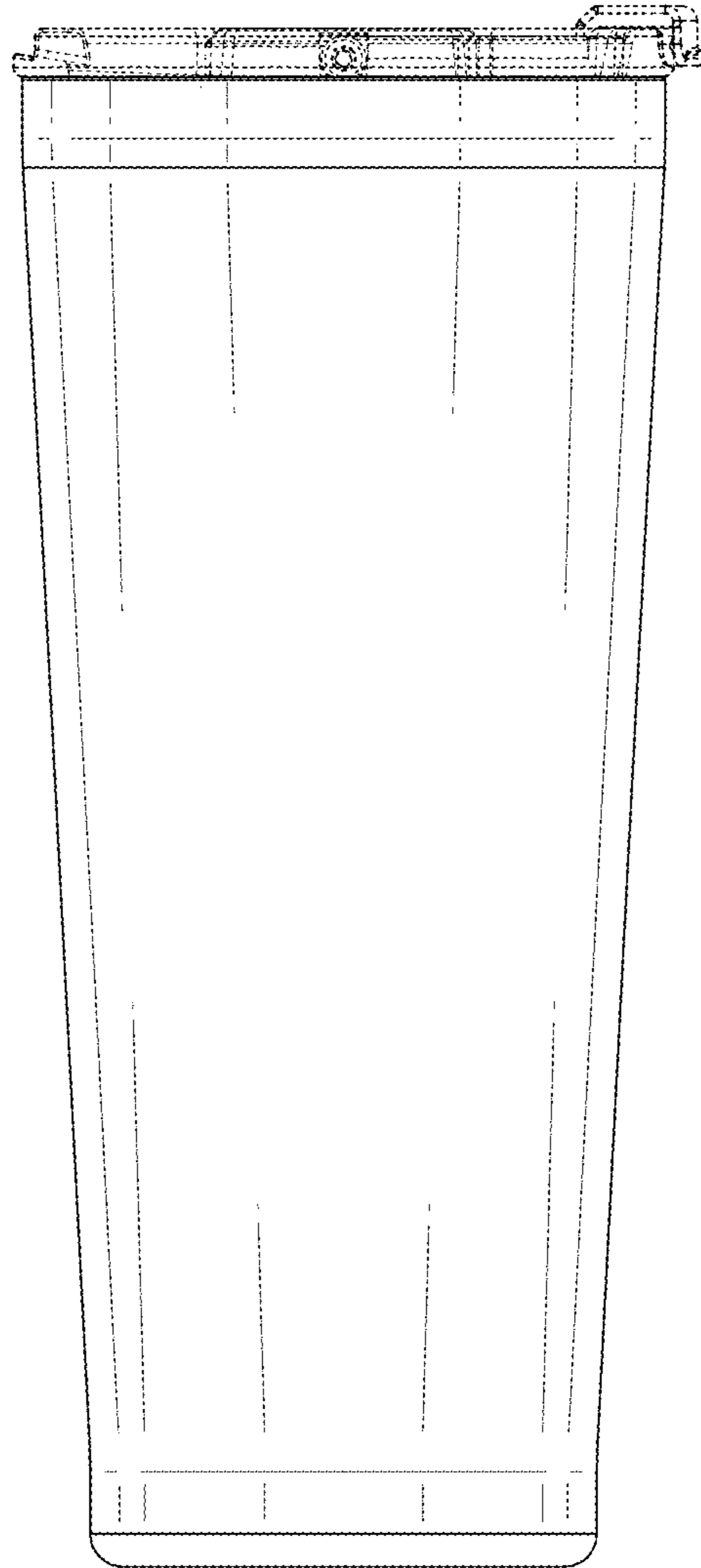


FIG. 3

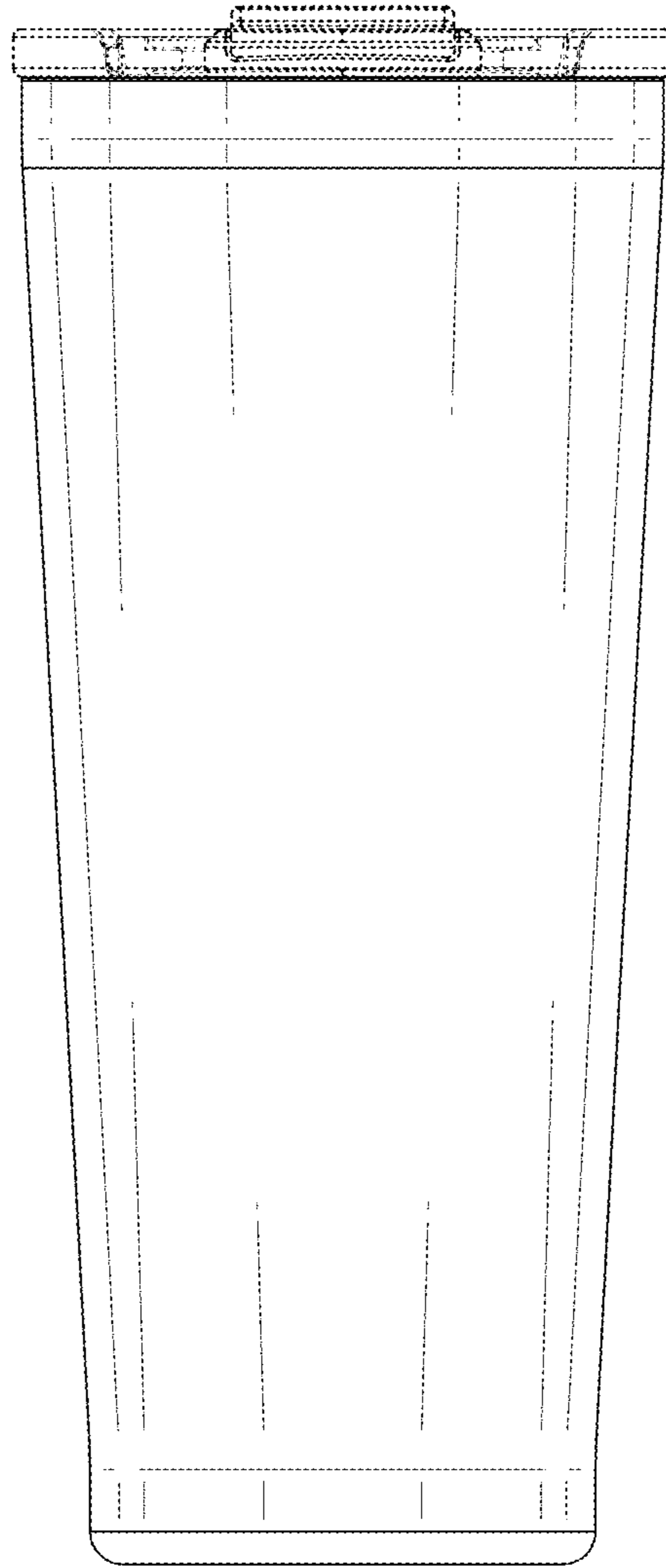


FIG. 4

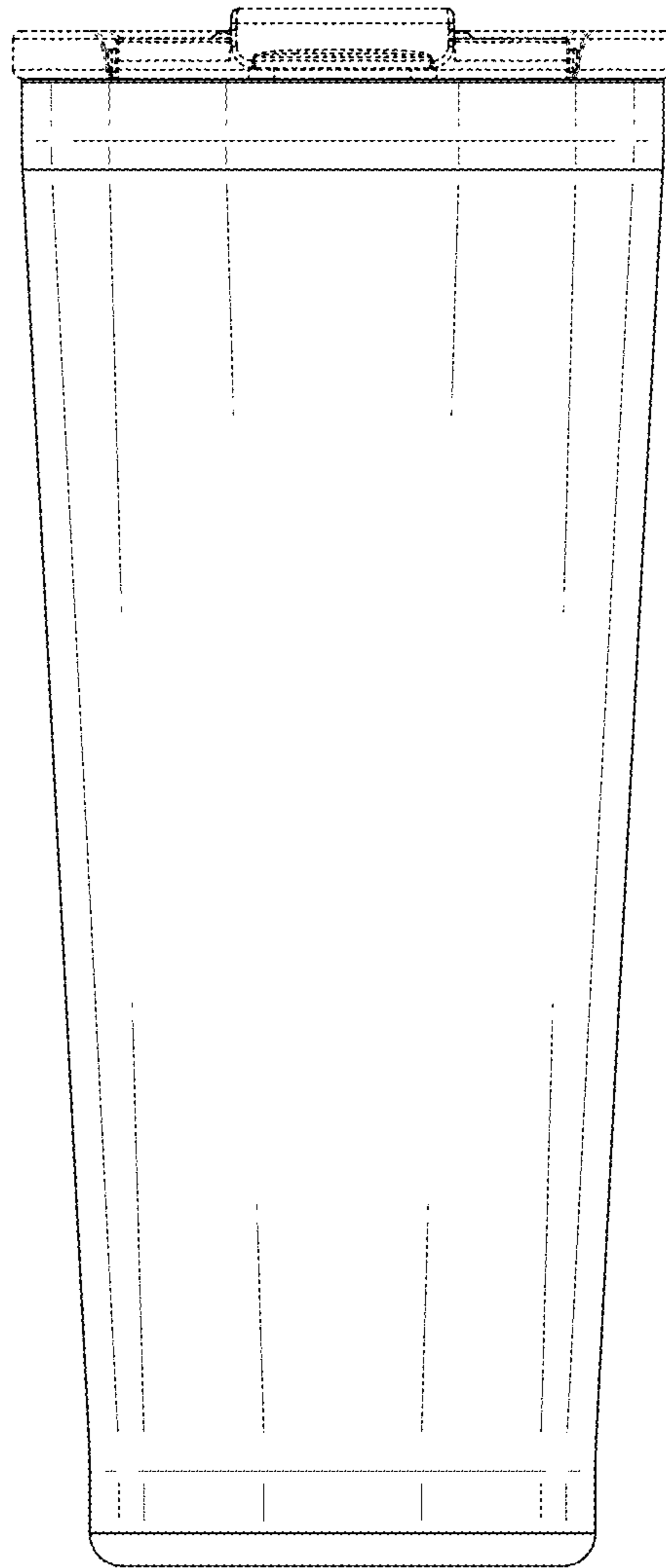


FIG. 5

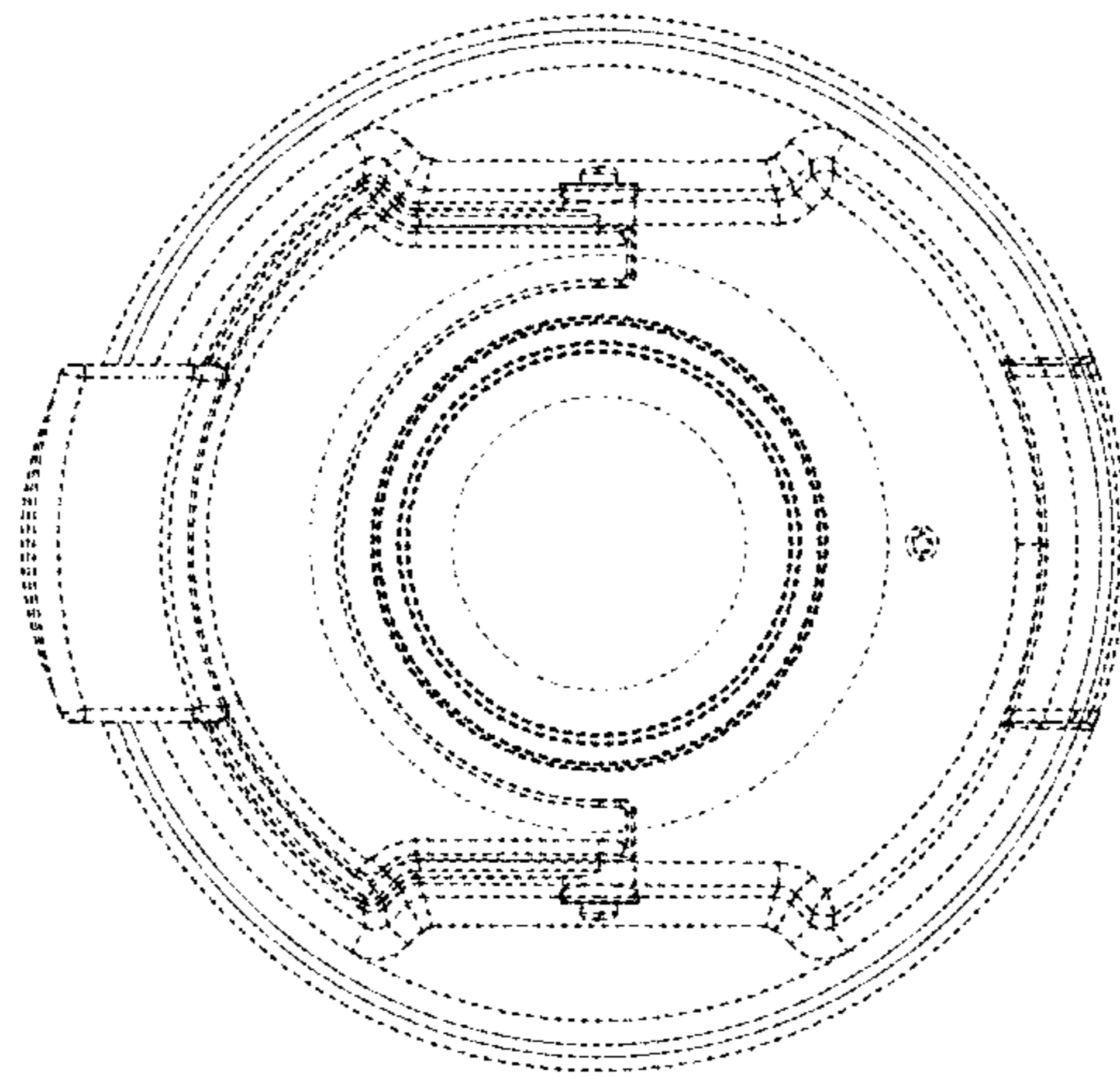


FIG. 6

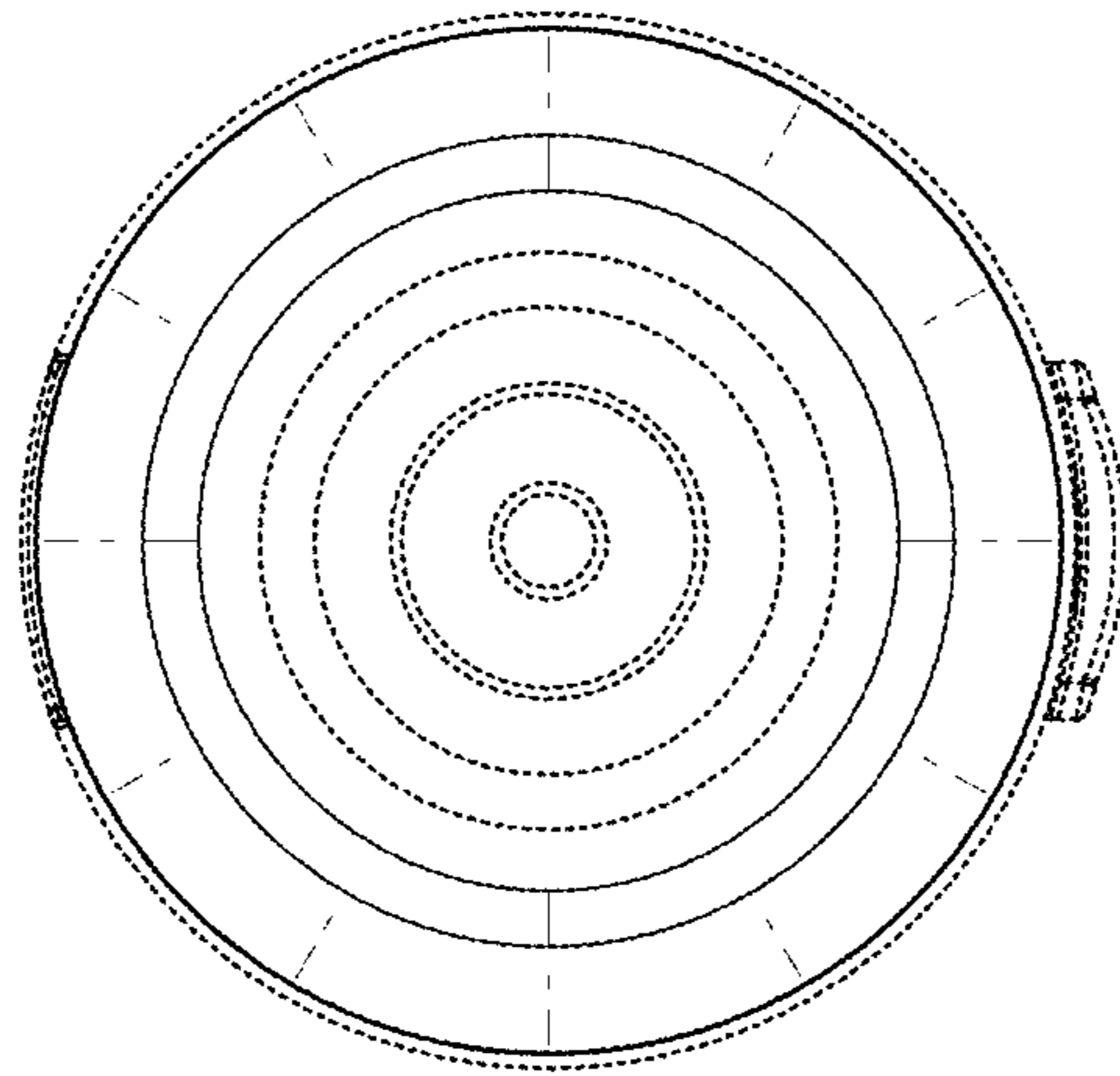


FIG. 7