



US00D961997S

(12) **United States Design Patent**  
**Miranda de Faria et al.**

(10) **Patent No.:** **US D961,997 S**  
(45) **Date of Patent:** **\*\* Aug. 30, 2022**

(54) **FLASK**

FOREIGN PATENT DOCUMENTS

(71) Applicant: **Natura Cosméticos S.A.**, São Paulo (BR)

CN 305181793 5/2019  
EM 000840848-0002 2/2008

(Continued)

(72) Inventors: **Márcio Miranda de Faria**, Cajamar (BR); **Thiago Milano de Oliveira**, Cajamar (BR); **Gideon Moreira Ferreira**, Cajamar (BR); **Josué Ferreira**, São Paulo (BR)

OTHER PUBLICATIONS

Guangzhou [online] URL: [https://www.alibaba.com/product-detail/Conical-PET-plastic-cream-pot-Body\\_1600349427663.html?spm=a2700.7724857.normal\\_offer.d\\_title.56b314eawa1THk](https://www.alibaba.com/product-detail/Conical-PET-plastic-cream-pot-Body_1600349427663.html?spm=a2700.7724857.normal_offer.d_title.56b314eawa1THk) (site visited: Feb. 17, 2022) (Year: 2022).\*

(Continued)

(73) Assignee: **NATURA COSMÉTICOS S.A.**, São Paulo (BR)

(\*\*) Term: **15 Years**

*Primary Examiner* — Jae Liang

*Assistant Examiner* — Tia Ruth-Renee Polidori

(21) Appl. No.: **29/820,381**

(74) *Attorney, Agent, or Firm* — Alston & Bird LLP

(22) Filed: **Dec. 21, 2021**

(57) **CLAIM**

We claim the ornamental design for a flask, as shown and described.

**Related U.S. Application Data**

(62) Division of application No. 29/722,913, filed on Feb. 3, 2020, now Pat. No. Des. 943,351.

**DESCRIPTION**

(51) **LOC (13) Cl.** ..... **07-01**

(52) **U.S. Cl.**  
USPC ..... **D7/510**; D7/608; D9/504; D9/503

(58) **Field of Classification Search**  
USPC ..... D7/507, 509, 510, 511, 529, 531, 532, D7/523, 533, 534, 535, 536, 392.1, 396.1, D7/396.2, 300, 608, 300.1, 598, 599, 600, D7/515, 512; D9/500, 531, 516, 517,  
(Continued)

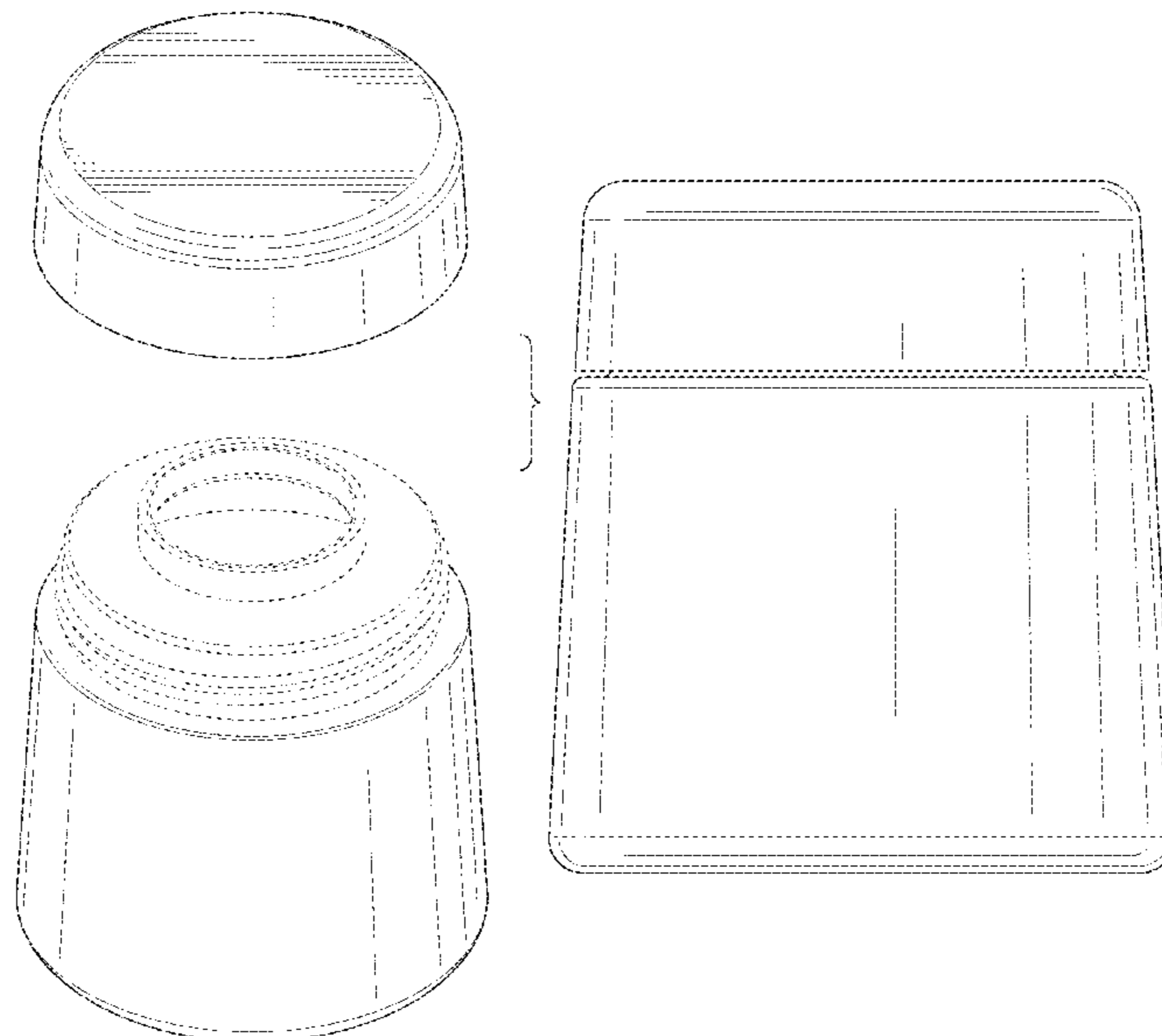
FIG. 1 is a top perspective view of a flask showing our new design;  
FIG. 2 is an exploded view thereof;  
FIG. 3 is a front elevation view thereof;  
FIG. 4 is a rear elevation view thereof;  
FIG. 5 is a left side elevation view thereof;  
FIG. 6 is a right side elevation view thereof;  
FIG. 7 is a top plan view thereof; and,  
FIG. 8 is a bottom plan view thereof.  
The dash-dash broken lines in FIG. 2 illustrate portions of the flask that form no part of the claimed design. The dash-dash broken lines in FIG. 8 represent bounds of the claimed design and form no part of the claimed design, and the portions of the flask shown therein form no part of the claimed design.

(56) **References Cited**

U.S. PATENT DOCUMENTS

118,768 A \* 9/1871 Wilson ..... B65D 21/086 220/8  
D131,202 S \* 1/1942 Vevirit ..... D27/190  
(Continued)

**1 Claim, 8 Drawing Sheets**



- (58) **Field of Classification Search**  
 USPC ..... D9/549, 680, 540, 503, 504; D22/112;  
 D29/125, 126; D3/202; D26/9  
 CPC ..... A47G 19/22; A47G 19/2288; A47G  
 19/2205; A47G 21/18; A47G 19/2211;  
 A47G 19/2216; A47J 41/0077; A47J  
 41/0088; A47J 41/0055; A47J 41/0022;  
 A47J 43/27; B65D 1/40; B65D 21/086;  
 B65D 1/265; A45F 2003/205  
 See application file for complete search history.

(56) **References Cited**

U.S. PATENT DOCUMENTS

2,711,766 A \* 6/1955 Archer ..... A45D 40/0068  
 D9/504  
 3,105,592 A \* 10/1963 Cohen ..... A45C 7/0031  
 206/0.8  
 D218,399 S \* 8/1970 Campbell ..... D9/504  
 D223,691 S \* 5/1972 Newman ..... D28/91  
 3,674,512 A 7/1972 Andros  
 D274,848 S \* 7/1984 Chevassus ..... D9/504  
 5,086,926 A 2/1992 Paige  
 D342,901 S \* 1/1994 Joo ..... D9/558  
 D402,894 S \* 12/1998 Elia ..... D9/504  
 D404,822 S 1/1999 Galustyan  
 D424,749 S \* 5/2000 Zalzal ..... D28/76  
 D430,804 S \* 9/2000 Bulsink ..... D9/558  
 6,145,685 A \* 11/2000 Dick ..... B65D 21/0228  
 220/23.91  
 D448,299 S \* 9/2001 Negre ..... D9/503  
 D472,101 S 3/2003 Janky  
 D482,975 S \* 12/2003 Nottingham ..... D9/540  
 D566,558 S \* 4/2008 Bakic ..... D9/503  
 D567,090 S \* 4/2008 Swint ..... D9/504  
 D571,663 S \* 6/2008 Bakic ..... D9/504  
 D619,894 S \* 7/2010 Ashiwa ..... D9/504  
 D627,650 S \* 11/2010 Yeung ..... D9/504  
 D638,710 S \* 5/2011 Yeung ..... D9/504  
 D641,257 S \* 7/2011 Thiebaut ..... D9/518  
 D645,751 S \* 9/2011 Baek ..... D9/551  
 D651,900 S \* 1/2012 Ashiwa ..... D9/504  
 D685,639 S \* 7/2013 Colon ..... D9/449  
 D695,618 S \* 12/2013 Jeong ..... D9/503  
 D696,122 S \* 12/2013 Son ..... D9/504  
 D707,561 S \* 6/2014 You ..... D9/503  
 8,899,435 B1 12/2014 Reder  
 D721,967 S \* 2/2015 DeMarco ..... D9/504  
 D739,739 S \* 9/2015 DeMarco ..... D9/504  
 D739,741 S \* 9/2015 Staab ..... D9/504  
 D773,848 S \* 12/2016 Yang ..... D9/503  
 D795,074 S \* 8/2017 Staab ..... D9/504  
 D795,075 S \* 8/2017 Staab ..... D9/504  
 D843,835 S \* 3/2019 Staab ..... D9/504  
 D844,441 S \* 4/2019 DeMarco ..... D9/504  
 D847,645 S \* 5/2019 Lee ..... D9/504  
 D865,525 S \* 11/2019 Staab ..... D9/504  
 D874,936 S \* 2/2020 Son ..... D9/504  
 10,549,898 B2 \* 2/2020 Park ..... B65D 47/00  
 D915,205 S \* 4/2021 Castellanos ..... D9/504  
 D923,875 S \* 6/2021 Cha ..... D28/76  
 D925,362 S \* 7/2021 Lanz ..... D9/503  
 D940,512 S \* 1/2022 Dean ..... D7/608  
 D940,514 S \* 1/2022 Dean ..... D7/608  
 D941,636 S \* 1/2022 McNamara ..... D7/608  
 D942,815 S \* 2/2022 Tan ..... D7/608  
 D943,351 S \* 2/2022 Miranda de Faria ..... D7/509  
 2014/0186507 A1 7/2014 Wales  
 2017/0027352 A1 \* 2/2017 Balgañon Canela .....  
 B65D 43/022  
 2018/0222639 A1 8/2018 Russell  
 2019/0239682 A1 8/2019 Lee

2019/0246822 A1 8/2019 Horwitz  
 2019/0337675 A1 11/2019 Rajendran  
 2020/0015609 A1 1/2020 Rhodes

FOREIGN PATENT DOCUMENTS

EM 001760679-0001 10/2010  
 EM 001962614-0002 12/2011  
 EM 002757898-0001 8/2015  
 EM 003012533-0001 3/2016  
 EM 003616655-0001 2/2017  
 EM 004582500-0012 1/2018  
 EM 004582500-0017 1/2018  
 EM 005811767-0003 10/2018  
 EM 008197149-0001 10/2020  
 EM 007803259-0027 11/2020  
 EM 008163919-0001 12/2020  
 GB 2071157 3/1998  
 GB 9008264402-0003 11/2020  
 JP D1547658 4/2016  
 JP D1547812 4/2016  
 JP D1553631 7/2016  
 JP D1553880 7/2016  
 JP D1563595 \* 11/2016  
 JP D1632688 5/2019  
 JP D1632689 5/2019  
 JP D1647777 12/2019  
 JP D1675362 \* 12/2020  
 KR 300907265.0000 \* 5/2017  
 KR 301006431.0000 \* 5/2019  
 KR 301035623.0000 \* 12/2019  
 KR 301063325.0000 \* 6/2020  
 KR 301099401.0000 3/2021  
 KR 301132959.0000 \* 10/2021  
 KR 301135981.0000 \* 11/2021  
 WO WO D102089-001 8/2018

OTHER PUBLICATIONS

Shandong [online] URL: <https://m.made-in-china.com/product/80g-Conical-Shape-Face-Cream-Glass-Bottle-with-Lid-Frosting-and-Slippy-Cosmetic-Jars-1931127412.html> (site visited: Feb. 17, 2022) (Year: 2022).  
 1 oz Clear Plastic Push-Up Solid Stick with Clear Screw Cap \_ Berlin [online] URL: <https://www.berlinpackaging.com/1-oz-clearplastic-push-up-solid-stick-wit-h-clear-screwcap-1126b01/> (site visited: Aug. 2021) (Year: 2021).  
 250 ml Classic Screw Top Wide Mouth Jar—Infinity Jars [online] URL: [https://infinityjars.com/products/250-ml-classic-screw-top-wide-mouth-jar-?gclid=EALalQobChM16fK4x4fA8glVrMqzCh0xTg2aEAsYAiABEGJqQPD\\_BwE](https://infinityjars.com/products/250-ml-classic-screw-top-wide-mouth-jar-?gclid=EALalQobChM16fK4x4fA8glVrMqzCh0xTg2aEAsYAiABEGJqQPD_BwE) (site visited: Aug. 2021) (Year: 2013).  
 Botto The Adjustable Airtight Container . . . [online] URL: <https://www.google.com/shopping/product/5446626043021516356?q=threaded+cu- p> (site visited: Aug. 2021) (Year: 2021).  
 Cereal On the Go Cups [online] URL: [https://www.amazon.com/Cereal-Breakfast-Portable-Yogurt-Container/dp/B078-4BVG77/ref=sr\\_1\\_1?dchild=1&keywords=B0784BVG77&qid=1631809865&sr=8-1](https://www.amazon.com/Cereal-Breakfast-Portable-Yogurt-Container/dp/B078-4BVG77/ref=sr_1_1?dchild=1&keywords=B0784BVG77&qid=1631809865&sr=8-1) (site visited: Aug. 2021) (Year: 2018).  
 Hydro Flask Rocks Cup—10 fl. oz [online] URL: <https://www.rei.com/product/111148/hydro-flask-rocks-cup-10-fl-oz?CAWELAI-D> (site visited: Aug. 2021) (Year: 2018).  
 LBLNY Creative Lunch Box Po . . . [online] URL: <https://www.amazon.com/LBLNY-Creative-Portable-Breakfast-Breathable/dp/B0-8SM72M74> (site visited: Aug. 2021) (Year: 2021).  
 Mini Thermos Flask Bottle 200ml Vacuum Cup Bottle Stainless Steel Hot Thermo Mug [online] URL: <https://www.aliexpress.com/item/4000525101303.html> (site visited: Aug. 2021) (Year: 2021).

\* cited by examiner

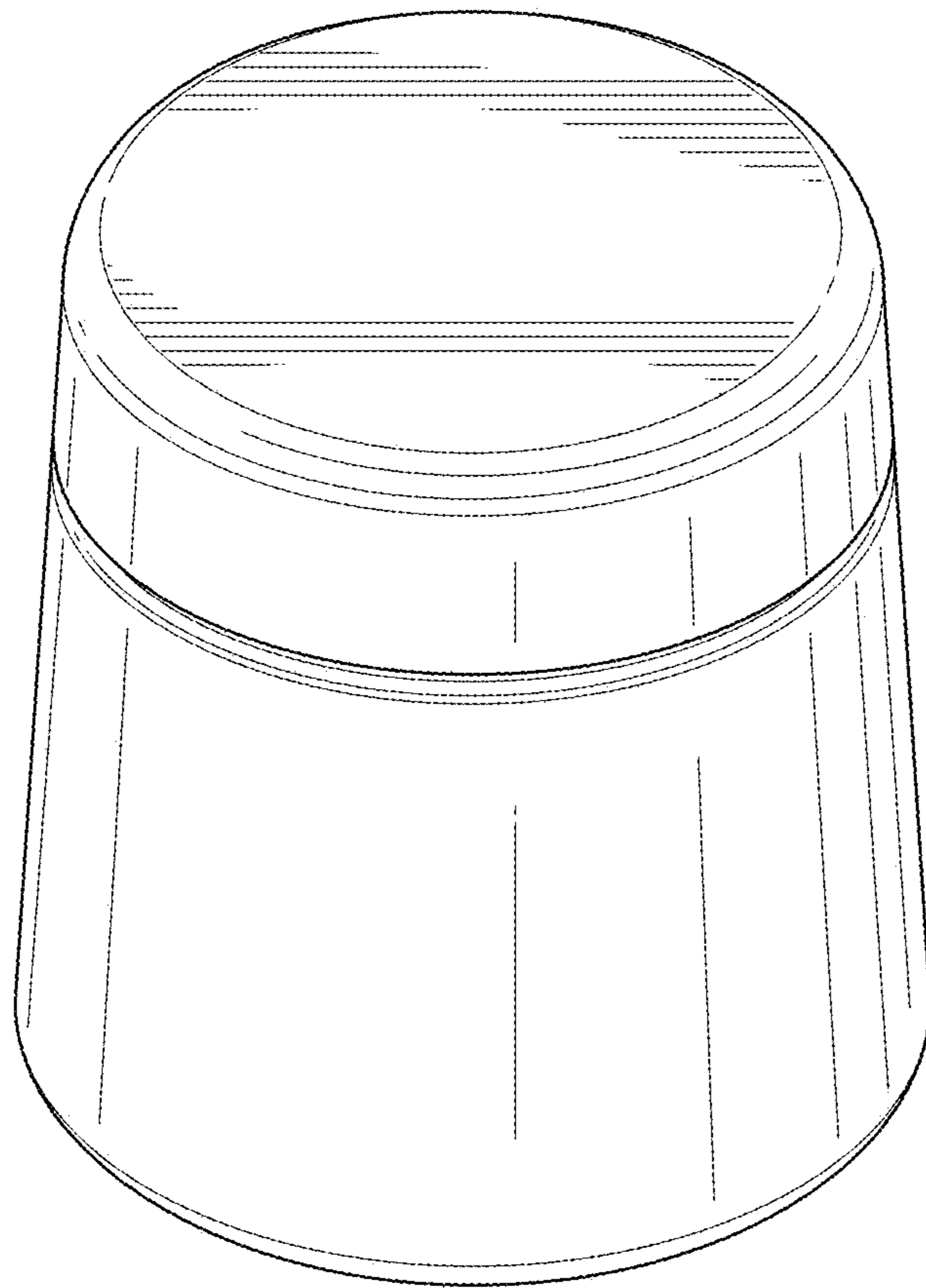


FIG. 1

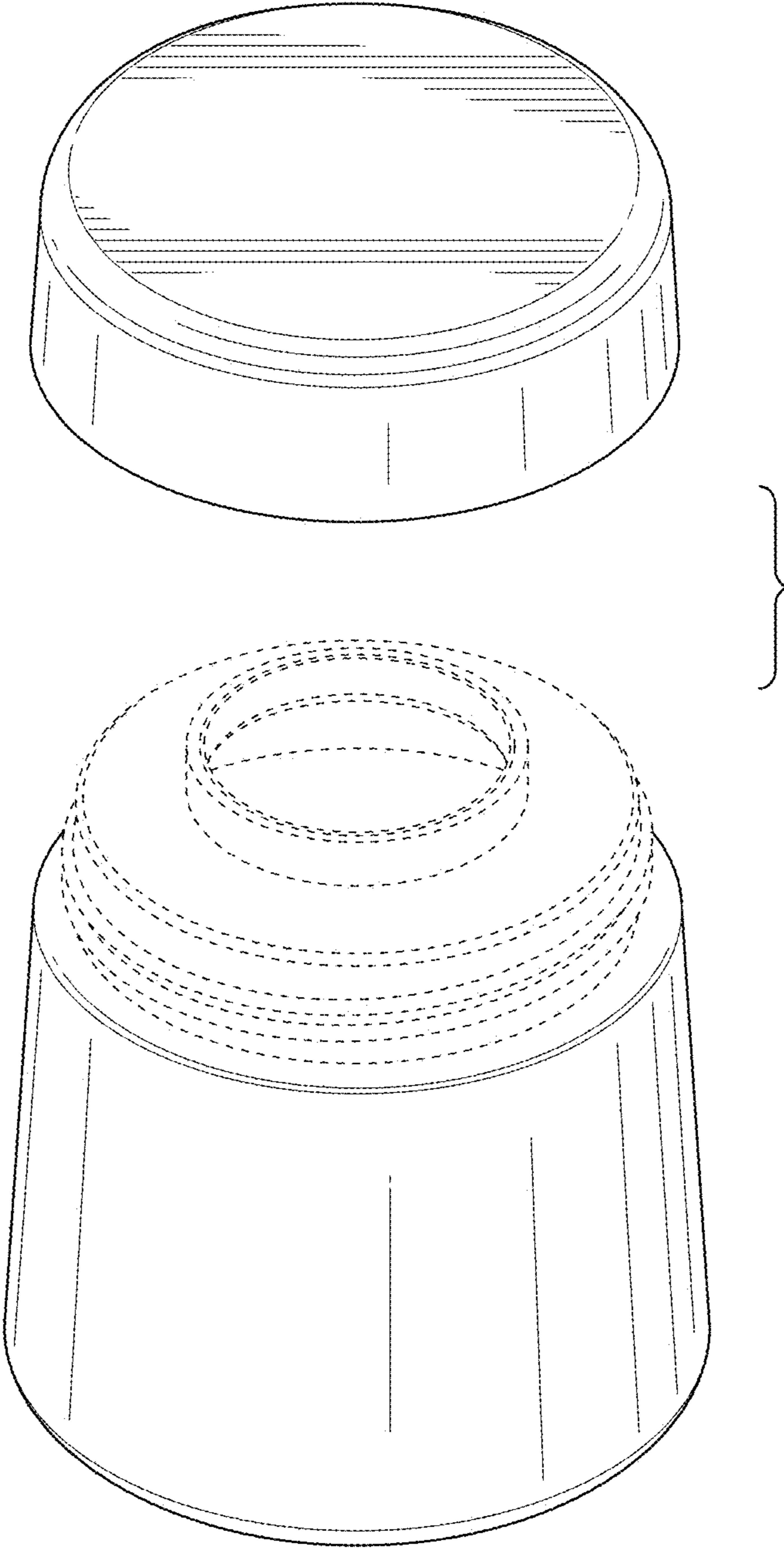


FIG. 2

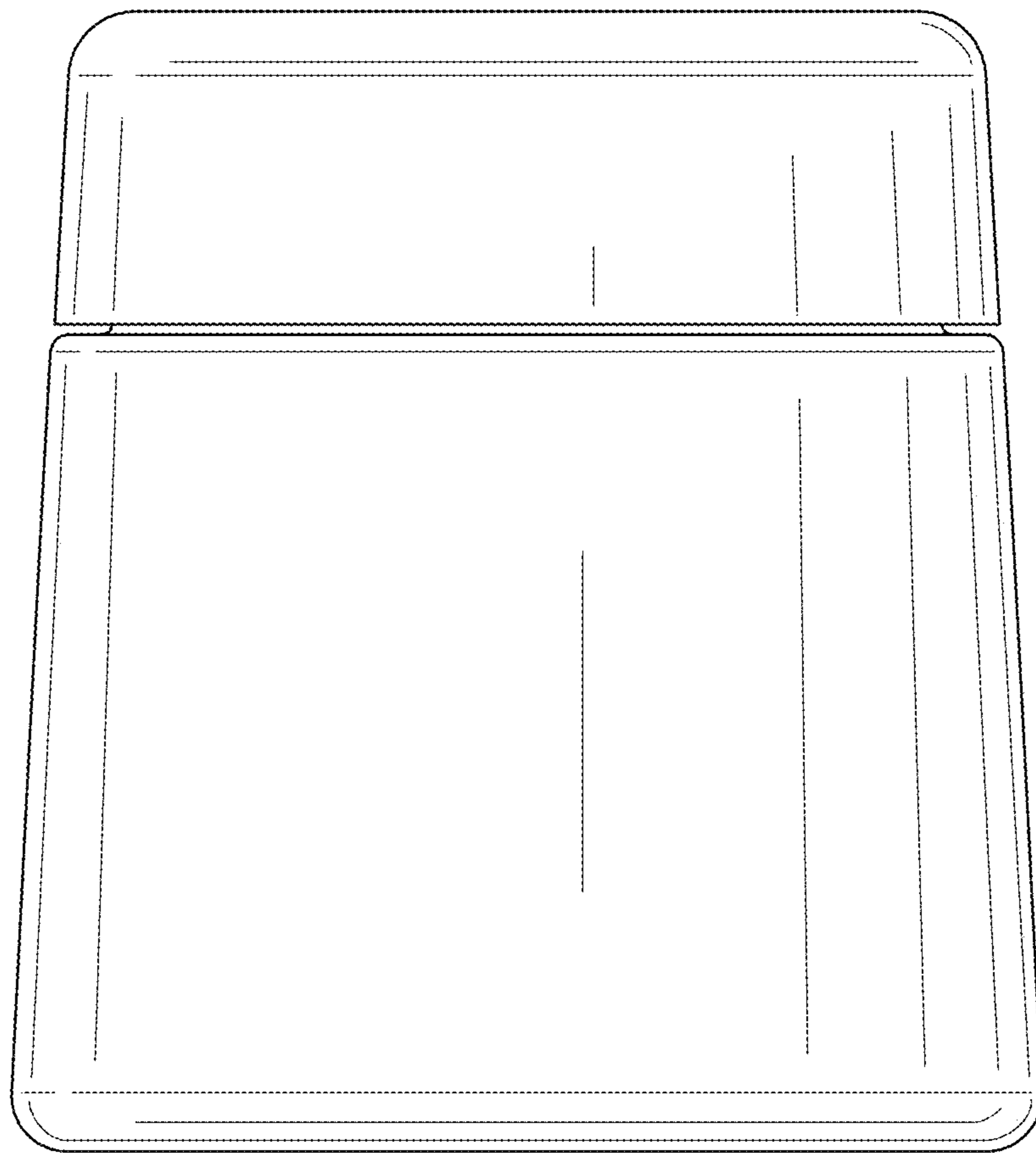


FIG. 3

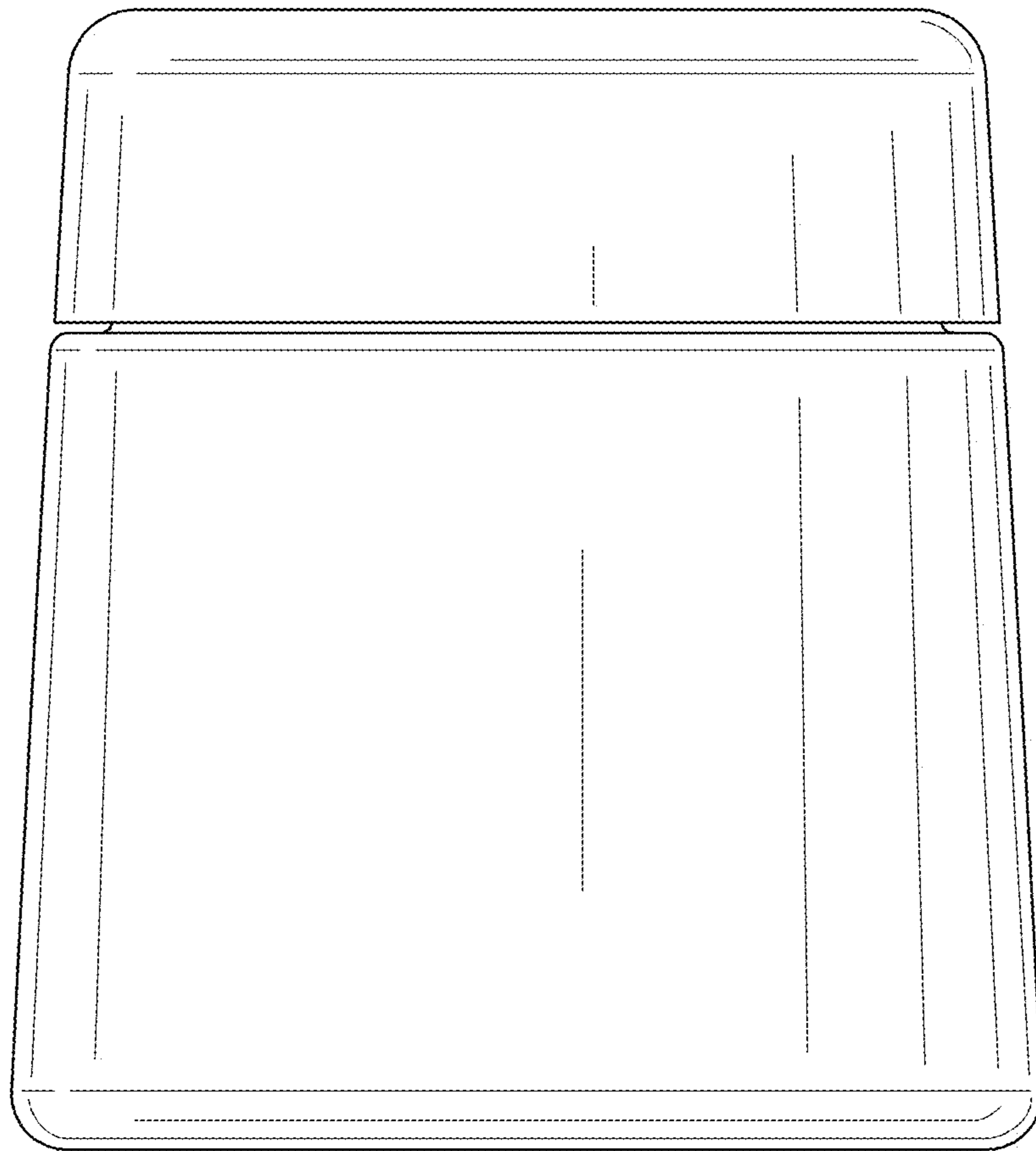


FIG. 4

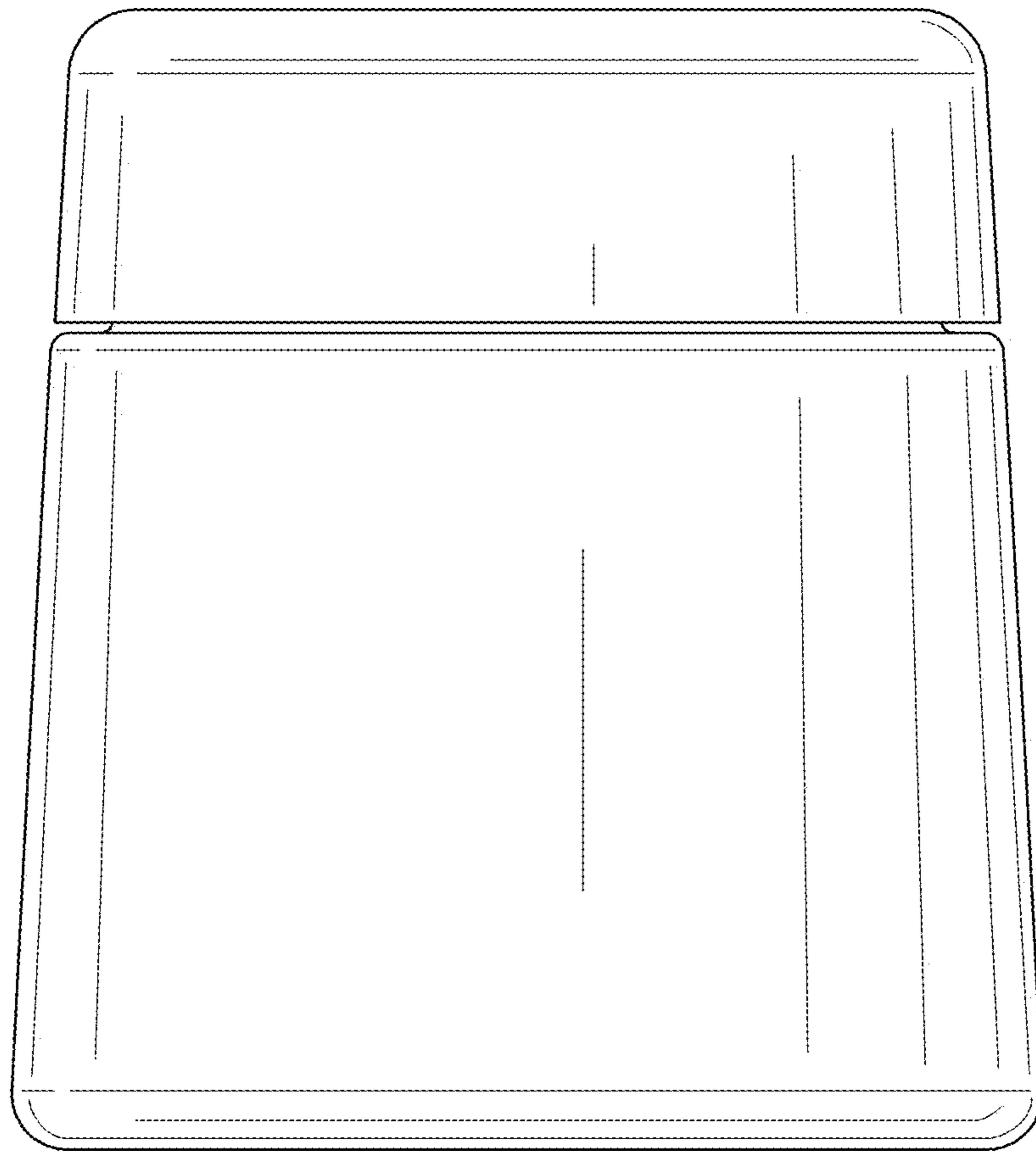


FIG. 5

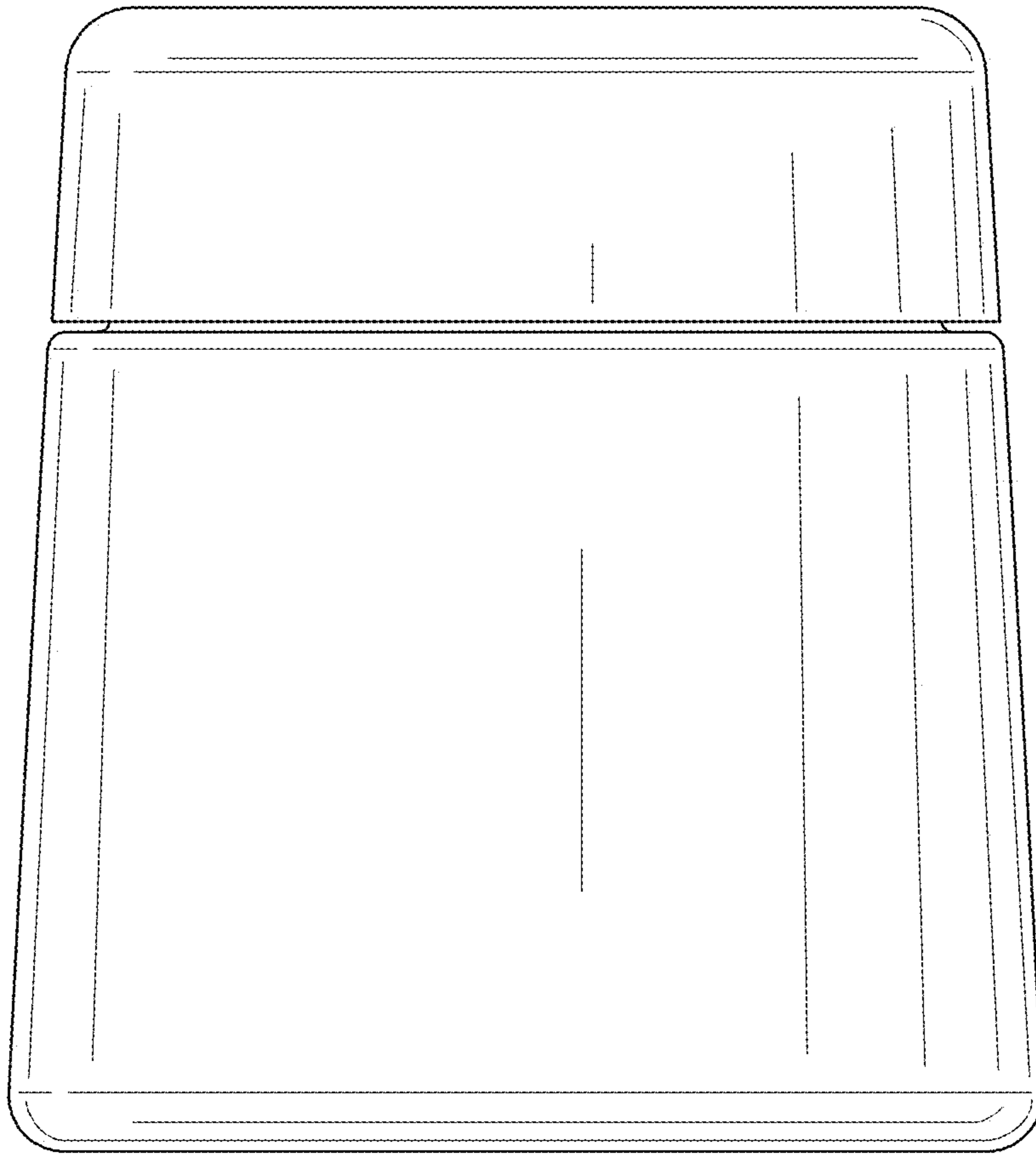


FIG. 6



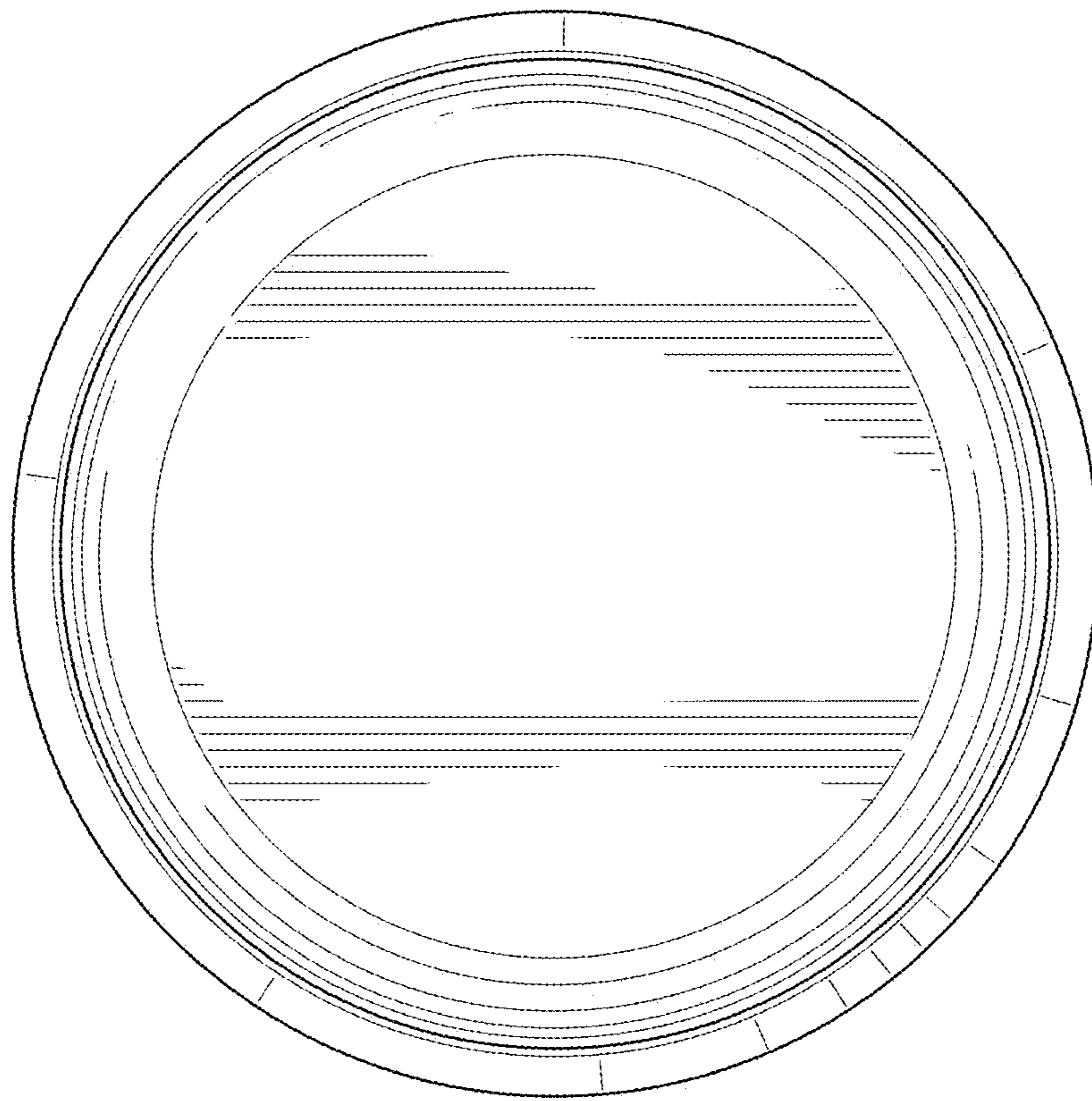


FIG. 7

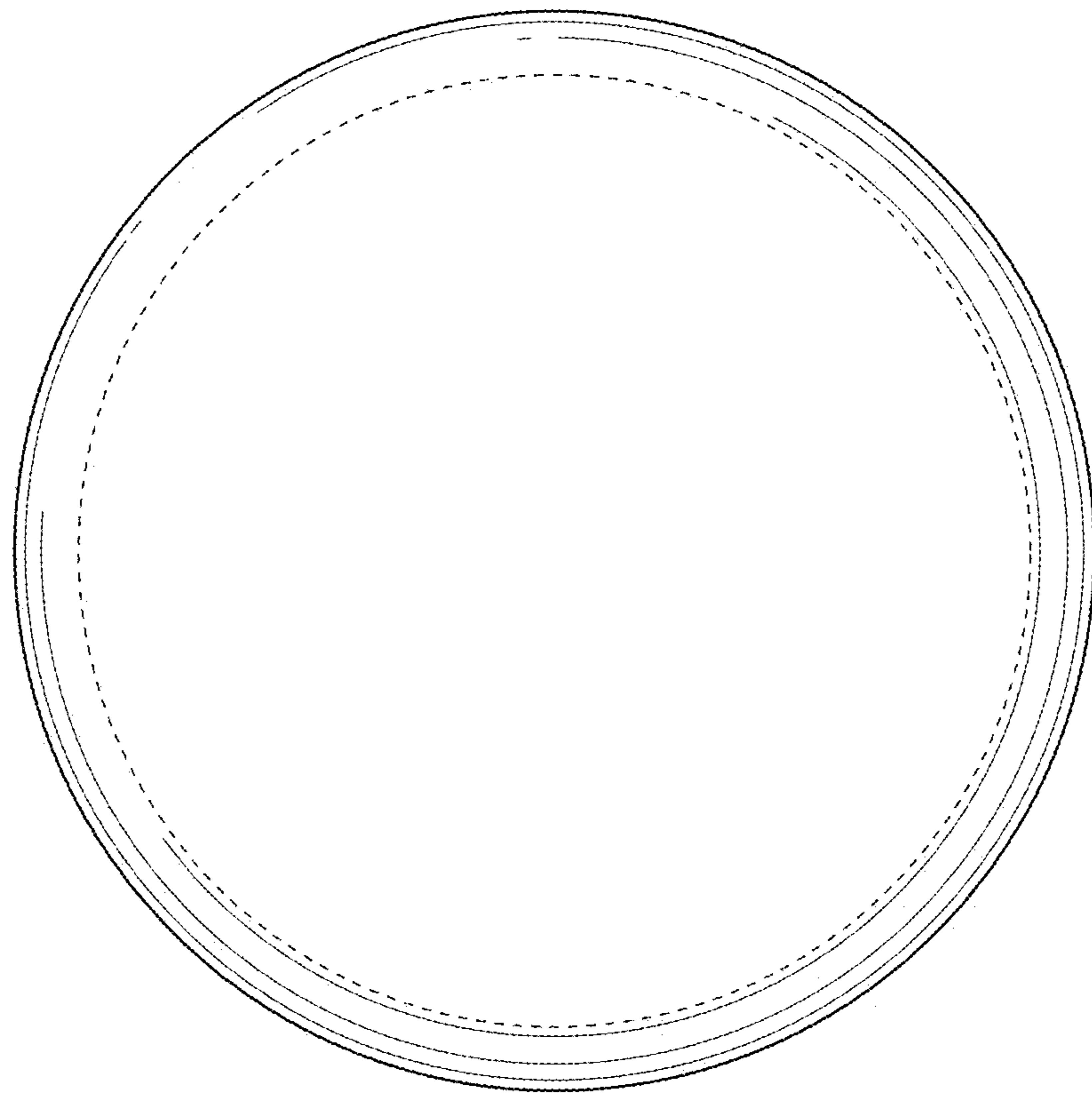


FIG. 8