



US00D961994S

(12) **United States Design Patent** (10) **Patent No.:** **US D961,994 S**
Chen (45) **Date of Patent:** **** Aug. 30, 2022**

(54) **LID**
(71) Applicant: **Sunbeam Products, Inc.**, Boca Raton, FL (US)
(72) Inventor: **Loren Chen**, Kalamazoo, MI (US)
(**) Term: **15 Years**
(21) Appl. No.: **29/729,520**
(22) Filed: **Mar. 27, 2020**
(51) **LOC (13) Cl.** **07-01**
(52) **U.S. Cl.**
USPC **D7/392.1; D7/629; D9/443**
(58) **Field of Classification Search**
USPC D7/392.1, 396.2, 391, 392, 542, 629;
D9/434-436, 440, 443, 445, 447, 449,
D9/454, 499
CPC B65D 81/2038; B65B 31/047
See application file for complete search history.

D732,385 S * 6/2015 Bouveret D9/425
D830,825 S * 10/2018 McCumber D9/443
D831,481 S * 10/2018 McCumber D9/443
D911,768 S * 3/2021 Liao D7/392.1
D927,247 S * 8/2021 Hartley D7/392.1
D935,263 S * 11/2021 Zhang D7/392.1
D944,484 S * 2/2022 Hornbaker D34/10
D944,528 S * 3/2022 Gartenburg D3/323
D945,213 S * 3/2022 Löfholm D7/392.1
2016/0016702 A1* 1/2016 Siskindovich B65D 43/0208
220/315
2016/0167863 A1* 6/2016 Han B65D 51/1644
220/256.1

(Continued)

OTHER PUBLICATIONS

Amazon. FoodSaver, Clear Vacuum Sealed Fresh Container, 5 Cup. Jan. 12, 2016. <https://www.amazon.com/FoodSaver-Vacuum-Sealed-Fresh-Container/dp/B01AJJ1UAK?th=1> (Year: 2016).*

(Continued)

Primary Examiner — Darcey E Gottschalk
(74) *Attorney, Agent, or Firm* — Husch Blackwell LLP

(56) **References Cited**
U.S. PATENT DOCUMENTS

D111,019 S * 8/1938 Dulany D7/391
D155,288 S * 9/1949 Hellberg D7/391
D212,678 S * 11/1968 Swett D7/629
D219,833 S * 2/1971 Wilkinson et al. D7/391
4,143,805 A * 3/1979 Sutton B65D 21/045
220/4.23
D273,837 S * 5/1984 De Coster D7/397
D287,573 S * 1/1987 Tyler D7/391
D331,351 S * 12/1992 Finney D7/542
D379,133 S * 5/1997 Ahern, Jr. D7/391
D422,176 S * 4/2000 Laib D7/391
D531,028 S * 10/2006 Weiss D9/435
D555,983 S * 11/2007 Tucker D7/629
D566,482 S * 4/2008 Tucker D7/629
D596,454 S * 7/2009 de Groote D7/392.1
D596,455 S * 7/2009 Laib D7/392.1
D615,349 S * 5/2010 Furlong D7/392.1
D698,199 S * 1/2014 Yessin D7/392.1

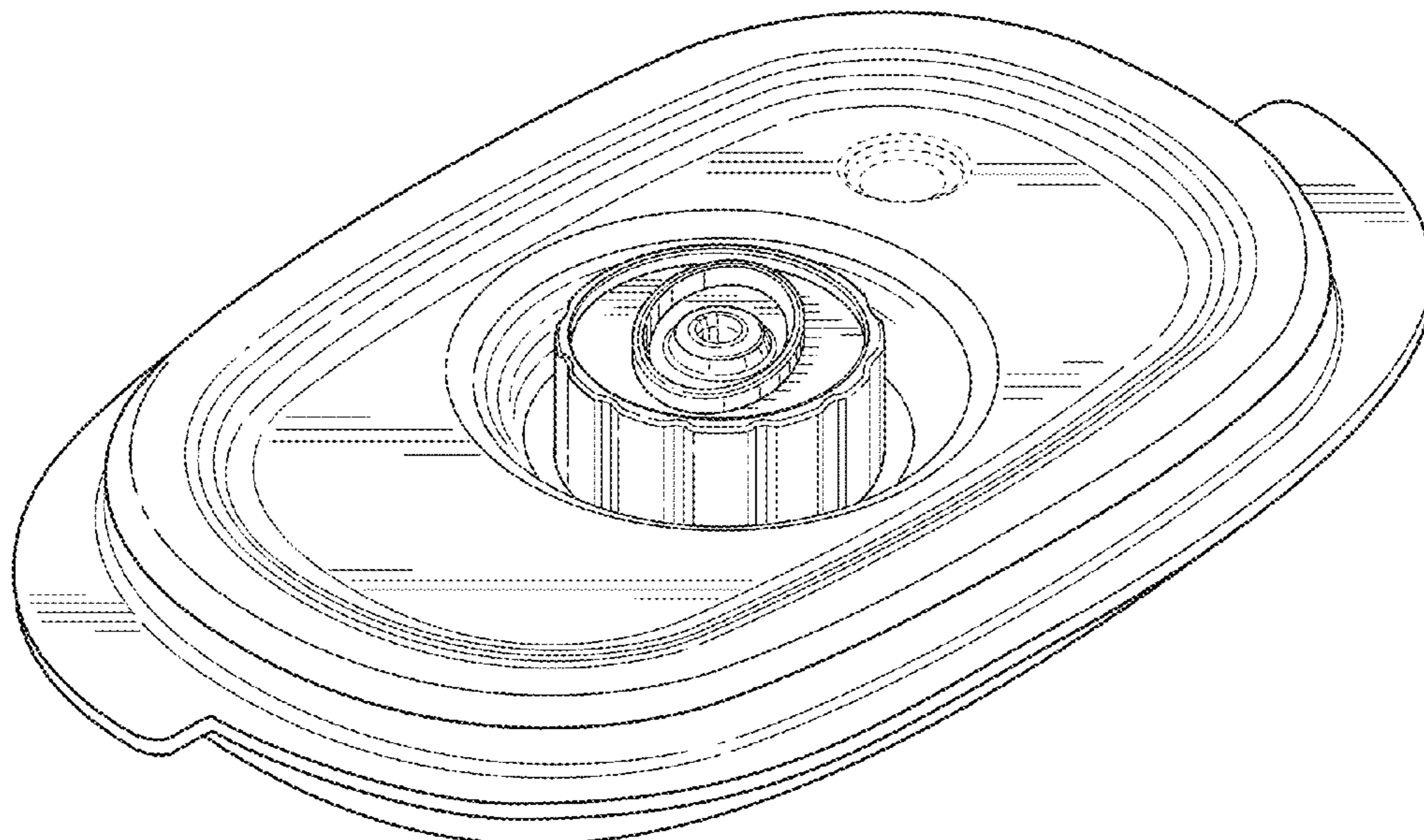
(57) **CLAIM**

I claim the ornamental design for a lid, as shown and described.

DESCRIPTION

FIG. 1 is a perspective view of a lid;
FIG. 2 is a top plan view of the lid;
FIG. 3 is a front elevation view of the lid;
FIG. 4 is a right side elevation view of the lid;
FIG. 5 is a rear elevation view of the lid;
FIG. 6 is a left side elevation view of the lid; and,
FIG. 7 is a bottom plan view of the lid.
In the drawings, the broken lines show portions of a lid that form no part of the claim.

1 Claim, 3 Drawing Sheets



(56)

References Cited

U.S. PATENT DOCUMENTS

2021/0300661 A1* 9/2021 Chen B65D 81/2015

OTHER PUBLICATIONS

Youtube. Fresh & Save. Mar. 18, 2020. <https://www.youtube.com/watch?v=bXd1YyR5xn4> (Year: 2020).*

* cited by examiner

FIG. 1

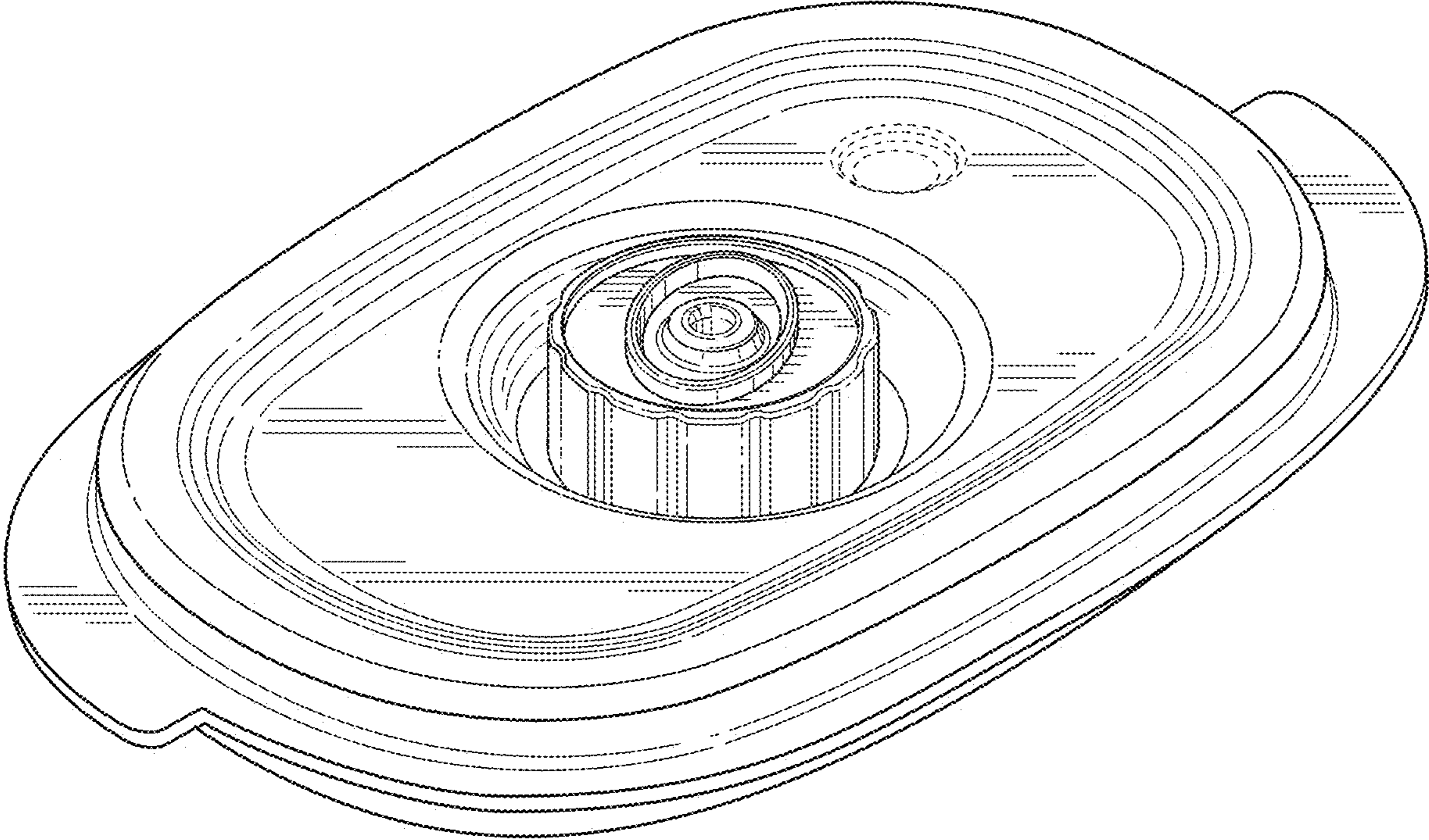


FIG. 2

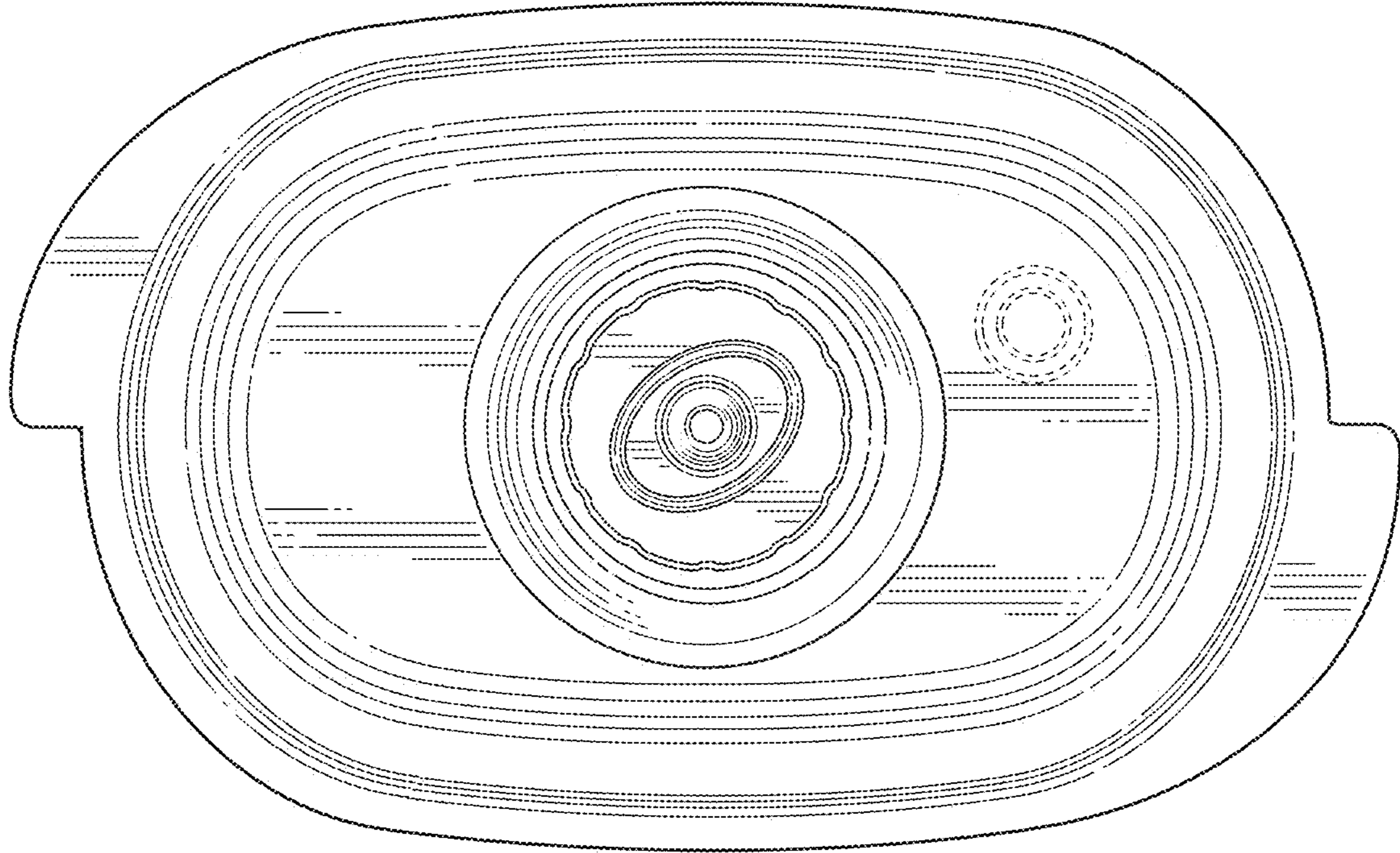


FIG. 3

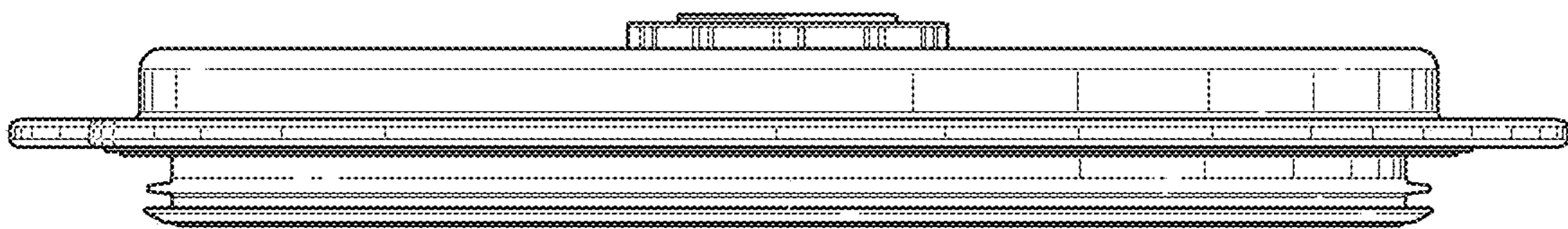


FIG. 4

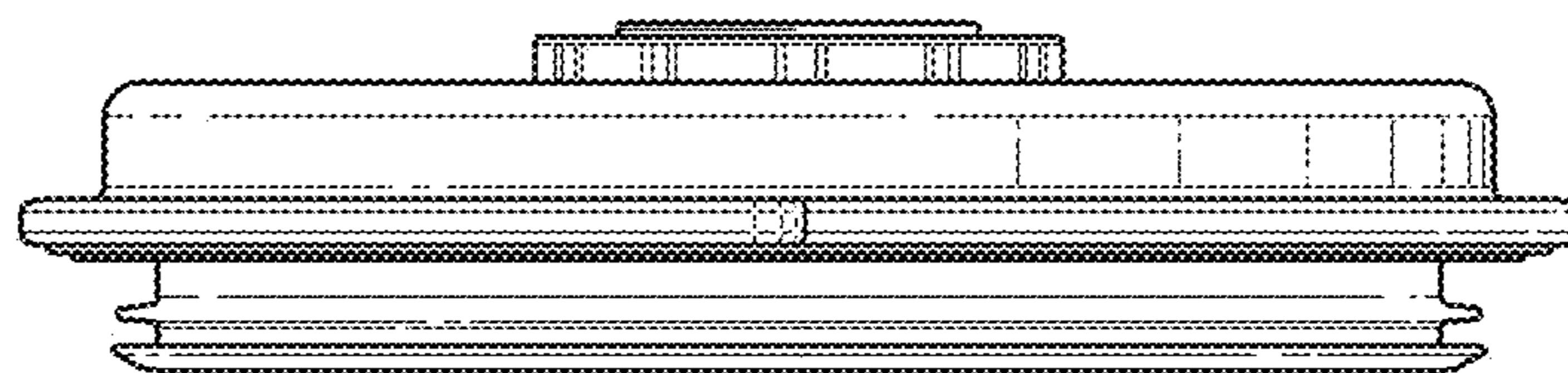


FIG. 5

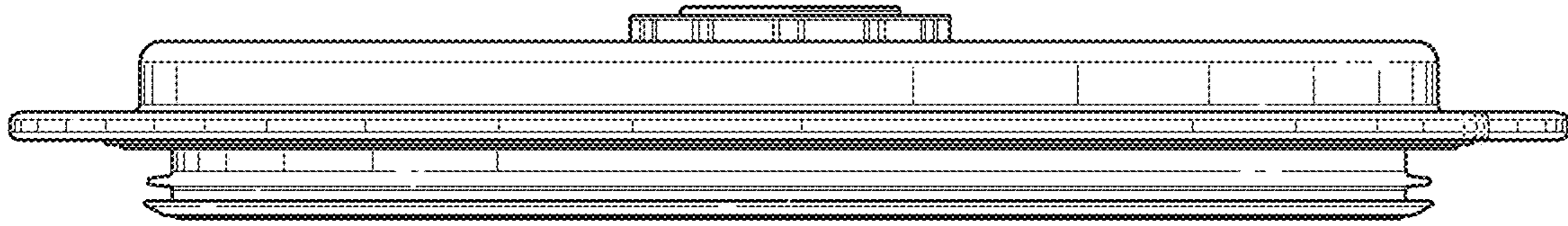


FIG. 6

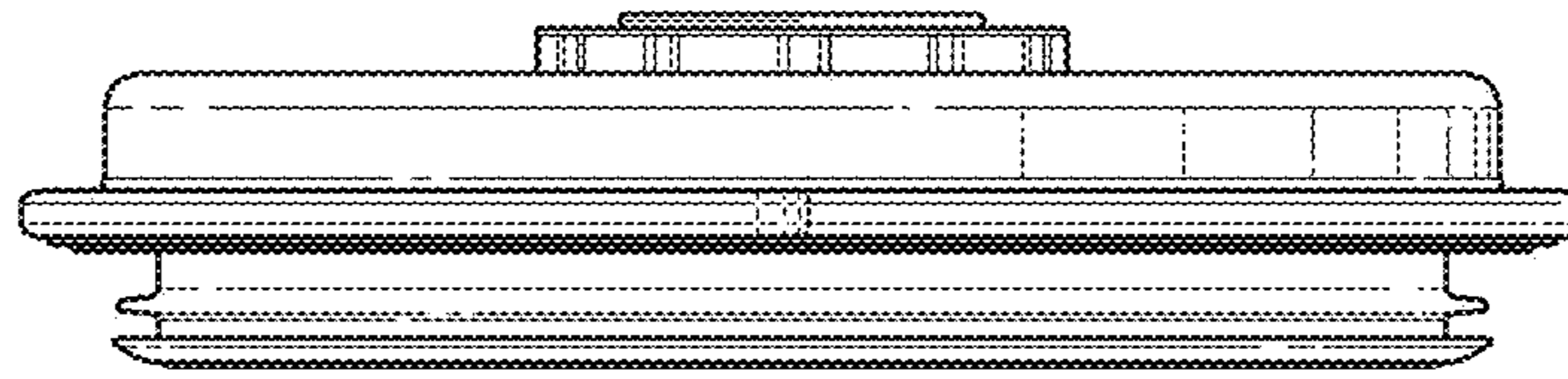


FIG. 7

