



US00D961993S

(12) **United States Design Patent** (10) **Patent No.:** **US D961,993 S**
Bram et al. (45) **Date of Patent:** **** Aug. 30, 2022**

(54) **BEVERAGE CONTAINER**

(71) Applicant: **BRUMIS IMPORTS INC.**, New York, NY (US)

(72) Inventors: **Steven Bram**, New York, NY (US);
Sean Fogarty, Brooklyn, NY (US)

(73) Assignee: **BRUMIS IMPORTS INC.**, New York, NY (US)

(**) Term: **15 Years**

(21) Appl. No.: **29/682,132**

(22) Filed: **Mar. 1, 2019**

(51) **LOC (13) Cl.** **07-01**

(52) **U.S. Cl.**
USPC **D7/392.1; D7/396.2; D7/511**

(58) **Field of Classification Search**

USPC D7/300, 300.1, 392, 392.1, 396.1, 396.2, D7/413, 507, 509-511, 513, 514, 516, D7/517, 519, 522, 523, 528, 532, 533, D7/536-538, 584, 591, 608, 619.1, 628, D7/629, 900, 531; D9/434-436, D9/439-441, 443, 449, 452, 500-504, D9/516, 520, 527, 529, 530, 535, 537, D9/541, 544, 549, 540, 550, 553, 554, D9/556, 558, 560, 564-566, 571, D9/572-575, 600, 655-664, 683, 772, D9/777

CPC D65D 23/10; A47G 19/22; A47G 19/2205; A47G 19/2211; A47G 19/2272; A47G 19/2227; A47G 19/2255; A47G 19/2288; A47G 23/0216; A47G 23/0241; A47G 23/0258; B65D 51/24; B65D 1/00; B65D 1/02; B65D 1/0223; B65D 81/00; B65D 1/0292; B65D 2543/00231; B65D 21/0219; B65D 50/061; B65D 77/00; B65D 2203/00; B65D 67/00; B65D 39/0047;

(Continued)

(56) **References Cited**

U.S. PATENT DOCUMENTS

D455,611 S * 4/2002 Kitamura D7/608
D477,185 S * 7/2003 Janky D7/510

(Continued)

FOREIGN PATENT DOCUMENTS

CA 146613 * 5/2013
CN 3132463 * 12/1999

(Continued)

OTHER PUBLICATIONS

OTPCDC, "Travel Mug and Water Bottle," Mar. 22, 2012, Occupationaltherapypdc, <https://occupationaltherapypdc.wordpress.com/fall-2012-clothing-sales/items-for-sale/mugs/> (Year: 2012).*

(Continued)

Primary Examiner — Joseph Kukella
Assistant Examiner — Arva P Adams
(74) *Attorney, Agent, or Firm* — Amster, Rothstein & Ebenstein LLP

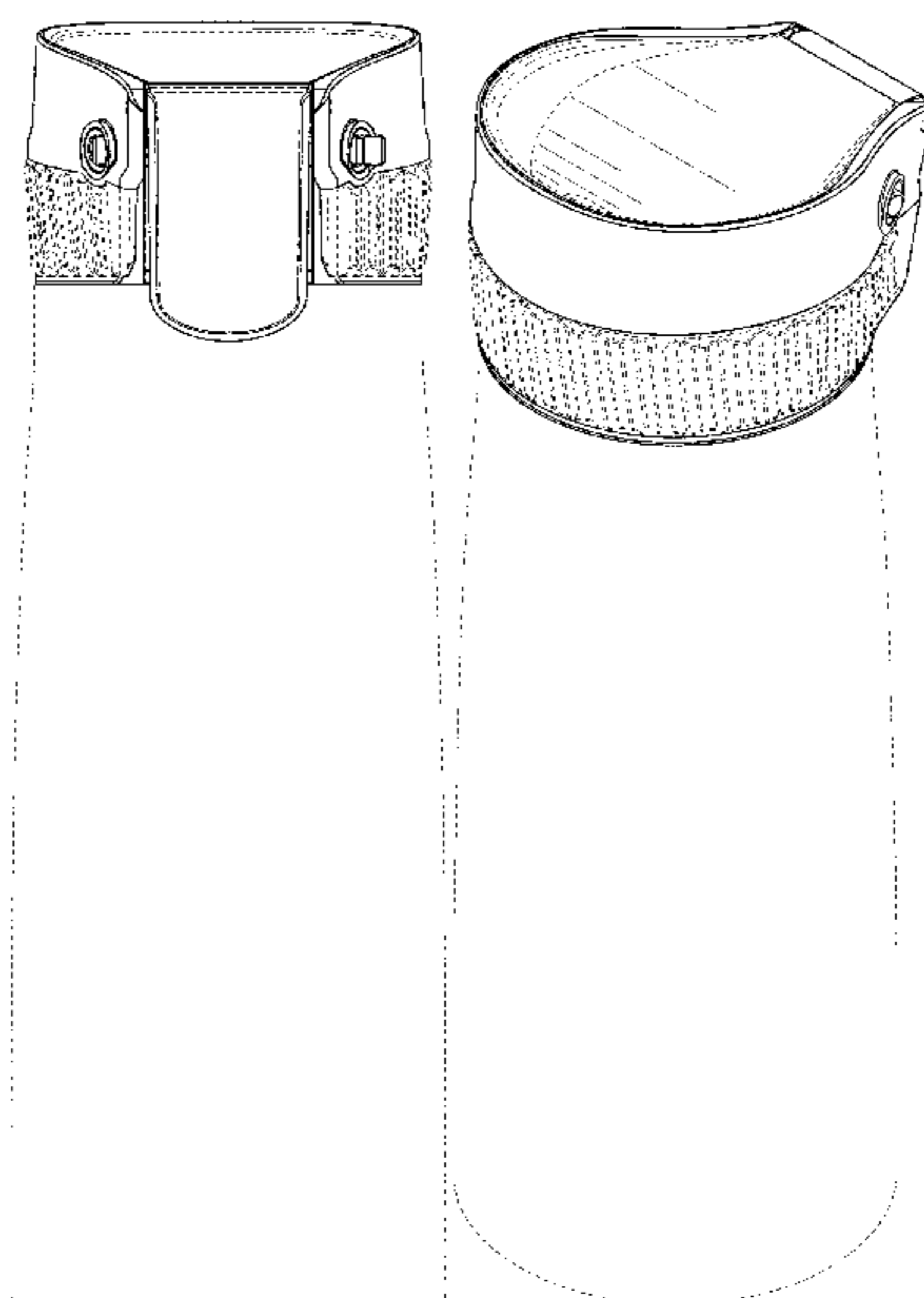
(57) **CLAIM**

The ornamental design for a beverage container, as shown and described.

DESCRIPTION

FIG. 1 is a side view of a beverage container showing our new design;
FIG. 2 is a rear view thereof;
FIG. 3 is an opposite side view thereof;
FIG. 4 is a top view thereof;
FIG. 5 is a bottom view thereof;
FIG. 6 is a front perspective view thereof; and,
FIG. 7 is a front view thereof.
The broken lines show portions of the beverage container that form no part of the claimed design.

1 Claim, 7 Drawing Sheets



(58) **Field of Classification Search**

CPC B65D 39/0058; B65D 39/02; B65D 39/06;
B65D 39/14; B65B 7/2821; B65B
7/2828; A47J 43/27

See application file for complete search history.

(56) **References Cited**

U.S. PATENT DOCUMENTS

D480,268 S * 10/2003 Laib D7/510
D502,844 S * 3/2005 Rohe D7/510
D528,862 S * 9/2006 Li D7/510
D533,061 S * 12/2006 Li D9/443
D564,841 S * 3/2008 Clemens A47G 19/2272
220/254.1
D581,216 S * 11/2008 Williams D7/509
D590,661 S * 4/2009 Kitamura A47G 19/2272
D7/510
D592,456 S * 5/2009 Pinelli D7/510
D592,905 S * 5/2009 Pinelli D7/396.2
D596,460 S * 7/2009 Nezu D7/510
D625,951 S * 10/2010 Baek D7/396.2
D627,600 S * 11/2010 Eyal D7/510
D629,653 S * 12/2010 Gullickson D7/510
RE42,484 E * 6/2011 Kitamura B65D 47/065
D7/510
D643,249 S * 8/2011 Miller D7/510
D655,580 S * 3/2012 Kotani D7/608
D655,967 S * 3/2012 Bodum D7/300.1
D656,360 S * 3/2012 Miller D7/510
D656,787 S * 4/2012 Phillips D7/510
D667,694 S * 9/2012 Meyers D7/510
D669,736 S * 10/2012 Bodum D7/510
D675,060 S * 1/2013 Lane D7/392.1
D686,872 S * 7/2013 Lane D7/392.1
D693,629 S * 11/2013 Miller D9/449
D693,630 S * 11/2013 Hurley A47G 19/2272
D7/392.1
D700,807 S * 3/2014 Kershaw D7/510
D726,476 S * 4/2015 Ercanbrack D7/300.1
D739,183 S * 9/2015 Lane D7/605
D742,684 S * 11/2015 Hurley D7/396.2
D748,949 S * 2/2016 Long, Sr D7/590
9,462,904 B2 * 10/2016 Coon A47G 19/2272
D7/396.2
D774,358 S * 12/2016 Joseph D7/523
D778,117 S * 2/2017 Du D7/608
D780,516 S * 3/2017 Cornelius D7/510
D781,104 S * 3/2017 Cerasani D7/510
D784,079 S * 4/2017 Szymanski D7/507
D794,453 S * 8/2017 Boroski D9/449
D795,011 S * 8/2017 Pisarevsky D7/510
D795,648 S * 8/2017 Lapsker D7/523
D796,905 S * 9/2017 Kestenbaum D7/532
D802,366 S * 11/2017 Cerasani D7/510
D807,702 S * 1/2018 Szymanski D7/396.2
D816,411 S * 5/2018 Stover D7/510
D818,317 S * 5/2018 Fu D7/510
D818,768 S * 5/2018 Joseph D7/396.2
D818,774 S * 5/2018 Stover D7/510
D825,995 S * 8/2018 Kestenbaum D7/532

D830,127 S * 10/2018 Rohe D7/511
D838,138 S * 1/2019 Yao A47G 19/2272
D7/392.1
D839,044 S * 1/2019 Potter D7/392
D842,652 S * 3/2019 Huang D7/507
D869,230 S * 12/2019 Hao B65D 55/02
D7/392.1
D879,557 S * 3/2020 Sibbert D7/511
D880,241 S * 4/2020 Silsby A47G 19/2272
D7/510
2015/0060448 A1 * 3/2015 Coon B65D 55/02
220/254.1
2015/0201776 A1 * 7/2015 Elsaden B65D 47/248
220/715
2017/0253394 A1 * 9/2017 Fogarty B65D 47/065
2017/0253397 A1 * 9/2017 Coon A47G 19/2272

FOREIGN PATENT DOCUMENTS

CN 304709115 * 7/2018
CN 306016597 * 8/2020
KR 302015000020 * 1/2015
KR 300802702.0000 * 6/2015
KR 300815110.0000 * 9/2015
KR 300921632.0000 * 8/2017
KR 300955575.0000 * 5/2018
KR 300987448.0000 * 12/2018
WO WO-D100941-012 * 5/2018

OTHER PUBLICATIONS

Bodum, "Bodum Travel Press," Aug. 10, 2012, Amazon.com, www.amazon.com/dp/B008TYX1DW (Year: 2012).
Water Bottle Supplies, "Nathan Stainless Steel 700 mL Flip Straw Bottle," Nov. 5, 2013, Waterbottlesupplies, <https://waterbottles.wordpress.com/2013/11/06/nathan-stainless-steel-700-ml-flip-straw-bottle/> (Year: 2013).
Embrava, "Best Sports Water Bottle," Jan. 5, 2015, Amazon.com, www.amazon.com/dp/B00RTLWCCM (Year: 2015).
Lifestraw, "LifeStraw Go Water Bottle," Jun. 22, 2017, Amazon.com, www.amazon.com/dp/B0733MWJHM (Year: 2017).
Survimate, "Survimate Filtered Water Bottle," Dec. 15, 2017, Amazon.com, www.amazon.com/dp/B076BJKQ27 (Year: 2017).
Coleman, "Coleman Switch Autospout Insulated Stainless Steel Water Bottle," Jul. 30, 2018, Amazon.com, www.amazon.com/dp/B076ZKR23D (Year: 2018).
720°Dgree, "720°Dgree Water Bottle 'uberBottle,'" Nov. 16, 2018, Amazon.com, www.amazon.com/dp/B079R5CTXT (Year: 2018).
Contigo, "Contigo Autoseal West Loop Vacuum-Insulated Stainless Steel Travel Mug," Sep. 11, 2017, Amazon.com, www.amazon.com/dp/B075JZ3V79 (Year: 2017).
Contigo, "Contigo Autoseal Chill Vacuum-Insulated Stainless Steel Water Bottle," Feb. 22, 2018, Amazon.com, www.amazon.com/dp/B079ZHYZ7T (Year: 2018).
Bed Bath and Beyond, "Manna 16 oz. Verve Push Travel Mug in Galaxy," Sep. 13, 2019, Bedbathandbeyond.com, www.bedbathandbeyond.com/store/product/manna-trade-16-oz-verve-push-travel-mug/5418069 (Year: 2019).

* cited by examiner

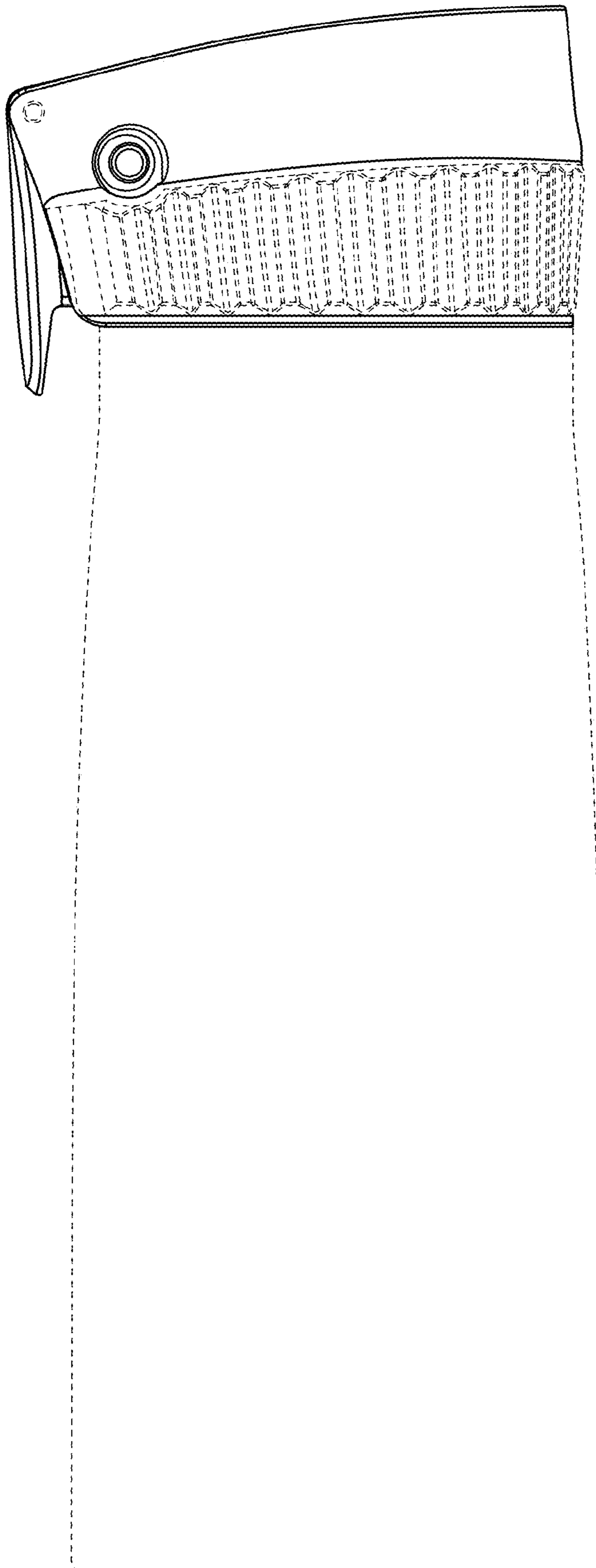


FIG. 1

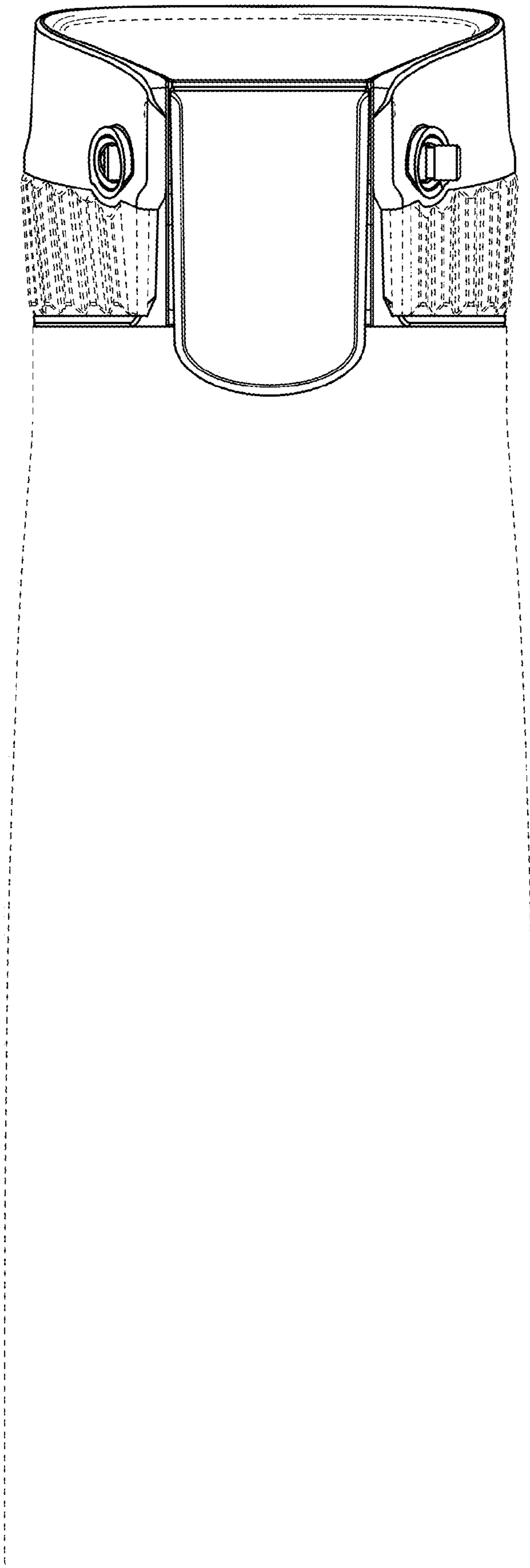


FIG. 2

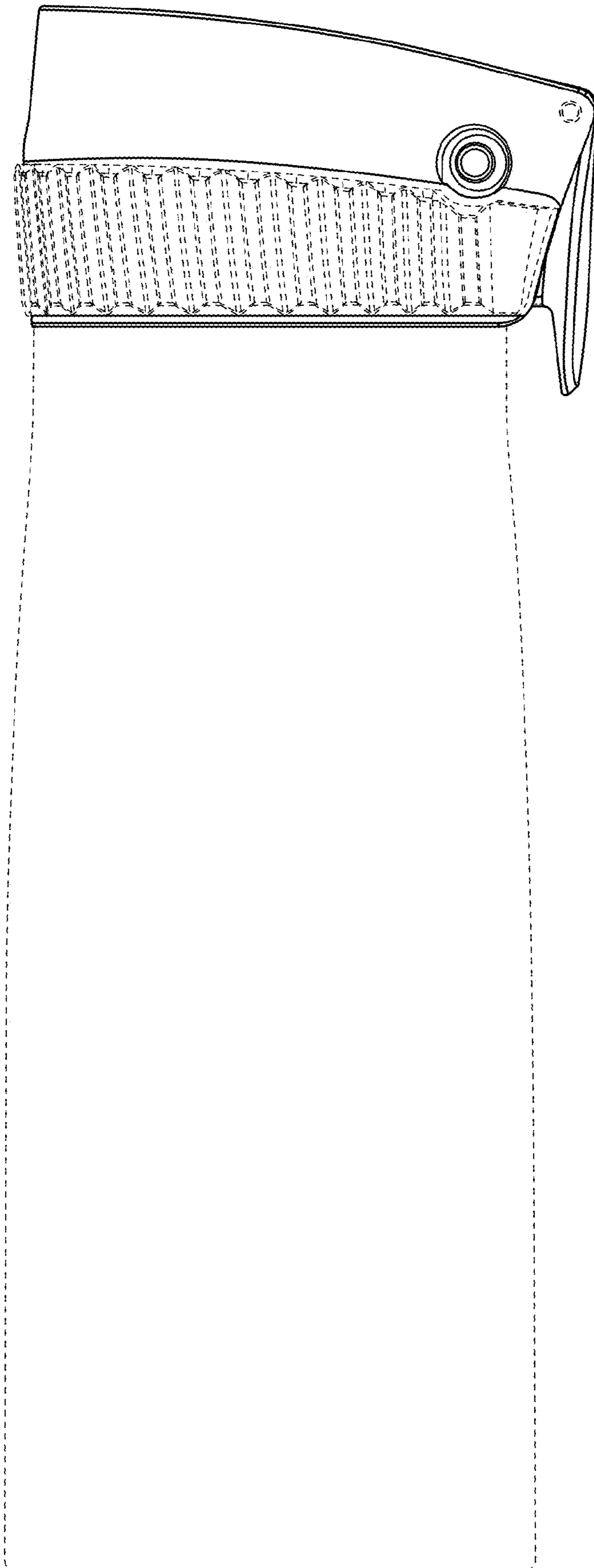


FIG. 3

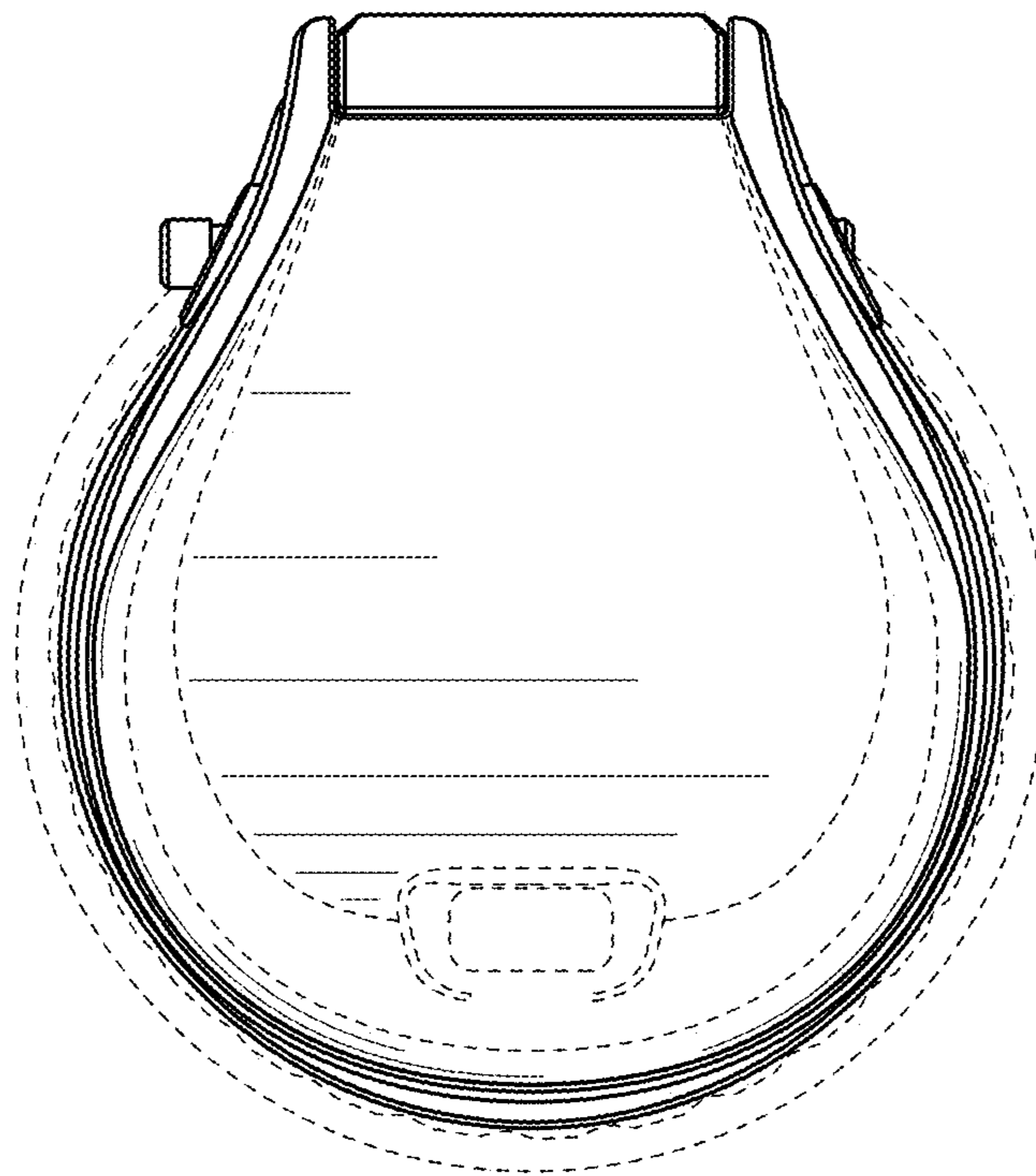


FIG. 4

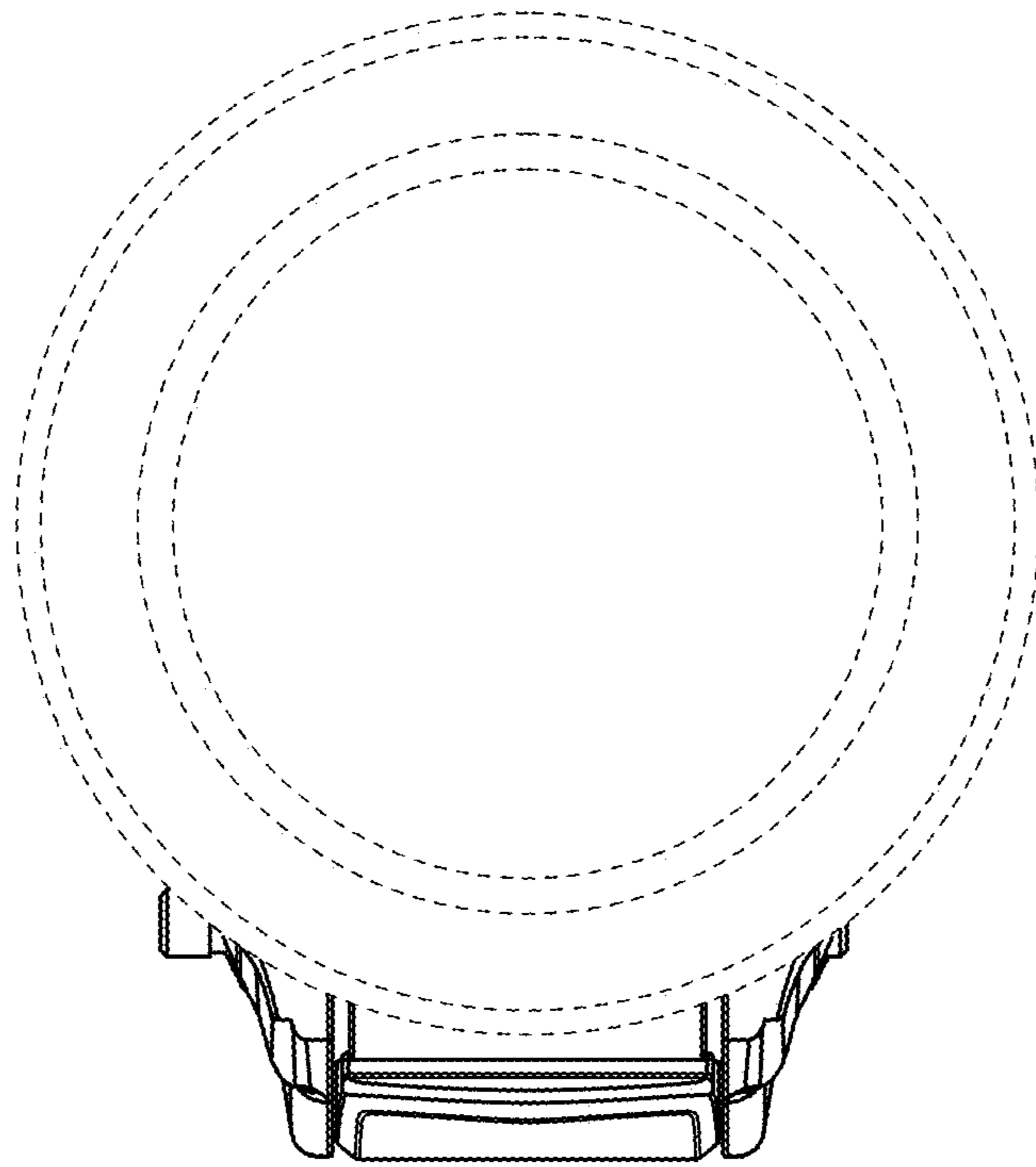


FIG. 5

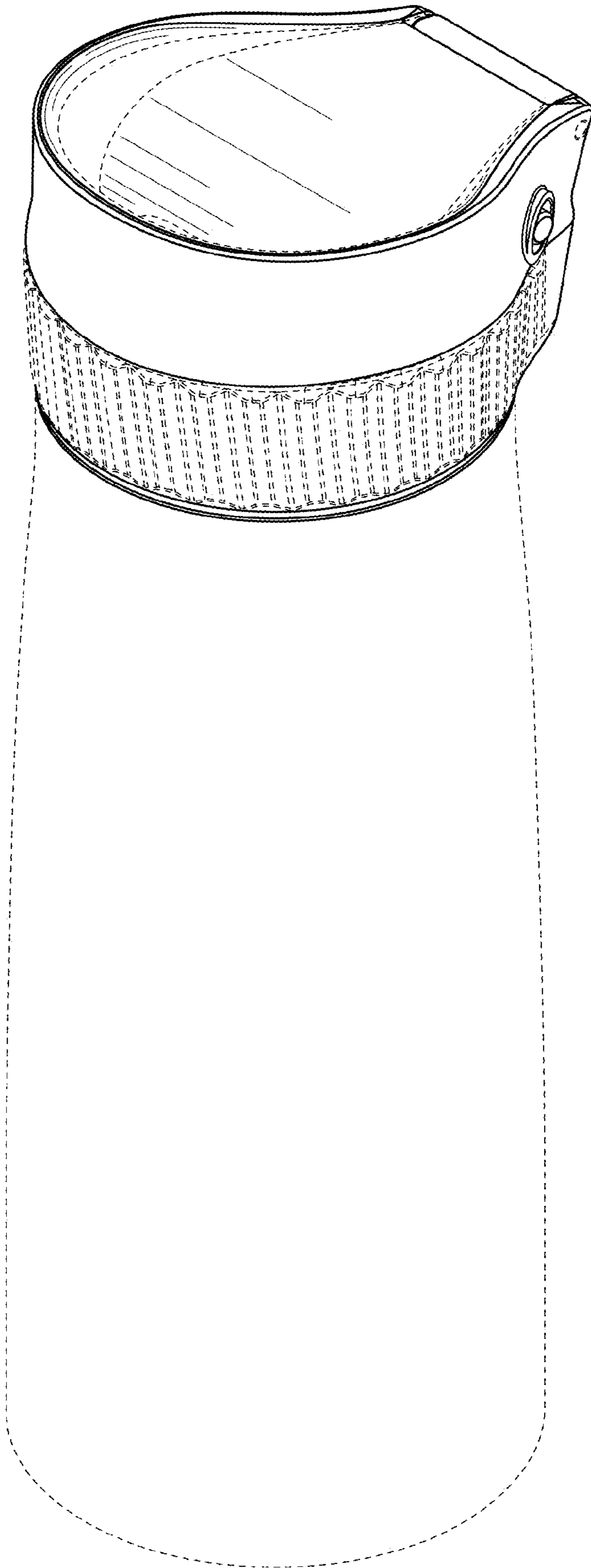


FIG. 6

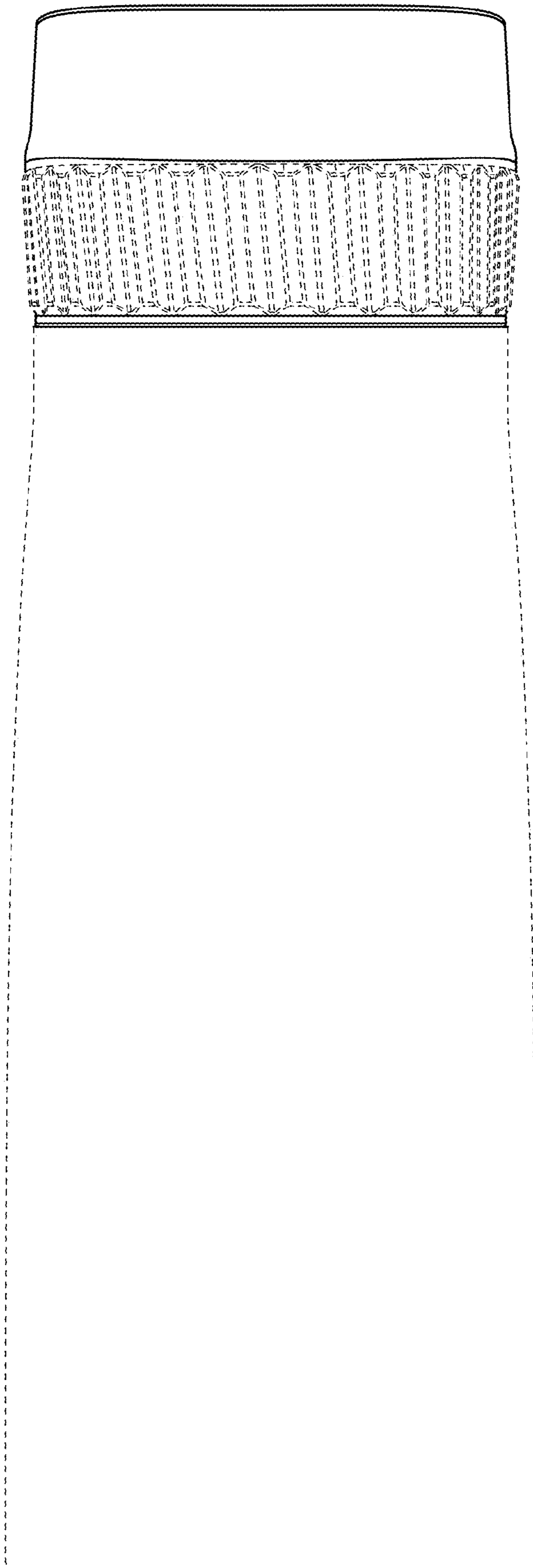


FIG. 7