

US00D961991S

(12) **United States Design Patent** (10) **Patent No.:** **US D961,991 S**  
**Liu et al.** (45) **Date of Patent:** **\*\* Aug. 30, 2022**

(54) **HAND BLENDER**

(71) Applicant: **MIDEA GROUP CO., LTD.**,  
Guangdong (CN)

(72) Inventors: **Xian'an Liu**, Guangdong (CN);  
**Yuqiang Guo**, Guangdong (CN); **Weixi Peng**, Guangdong (CN)

(73) Assignee: **MIDEA GROUP CO., LTD.**,  
Guangdong (CN)

(\*\*) Term: **15 Years**

(21) Appl. No.: **35/511,202**

(22) Filed: **Sep. 30, 2020**

(80) **Hague Agreement Data**  
 Int. Filing Date: **Sep. 30, 2020**  
 Int. Reg. No.: **DM/212135**  
 Int. Reg. Date: **Sep. 30, 2020**  
 Int. Reg. Pub. Date: **Jan. 22, 2021**

D361,241 S \* 8/1995 Littmann ..... D7/379  
 D383,938 S \* 9/1997 Littmann ..... D7/379  
 D394,367 S \* 5/1998 Littmann ..... D7/379  
 D408,214 S \* 4/1999 Cousins ..... D7/376  
 D426,105 S \* 6/2000 Littmann ..... D7/376  
 D447,380 S \* 9/2001 Feil ..... D7/376  
 D456,206 S \* 4/2002 Feil ..... D7/376  
 D485,729 S \* 1/2004 Patton ..... D7/379  
 D506,102 S \* 6/2005 Ikegaki ..... D7/379  
 D510,837 S \* 10/2005 Lloyd ..... D7/379  
 D533,022 S \* 12/2006 Piret ..... D7/379  
 D534,032 S \* 12/2006 Lloyd ..... D7/380  
 D614,438 S \* 4/2010 Fukasawa ..... D7/376  
 D638,656 S \* 5/2011 Brinckerhoff ..... D7/376  
 D644,479 S \* 9/2011 Lownds ..... D7/380  
 D649,394 S \* 11/2011 Grabes ..... D7/380  
 D651,041 S \* 12/2011 Bachmann ..... D7/412  
 D656,359 S \* 3/2012 Stein ..... D7/378  
 D662,765 S \* 7/2012 Grabes ..... D7/378  
 D668,099 S \* 10/2012 Ferraby ..... D7/378  
 D668,911 S \* 10/2012 Bachmann ..... D7/380  
 D681,391 S \* 5/2013 Agren ..... D7/378

(Continued)

Primary Examiner — Steven J Czyz

(30) **Foreign Application Priority Data**  
 May 25, 2020 (CN) ..... 202030246050.4

(51) **LOC (13) Cl.** ..... **31-00**

(52) **U.S. Cl.**  
 USPC ..... **D7/379**

(58) **Field of Classification Search**  
 USPC ..... D7/376, 377, 378, 379  
 CPC .... A21C 1/00; A21C 1/02; A47J 43/04; A47J  
 43/046; A47J 43/06; A47J 43/0716; A47J  
 2043/04418  
 See application file for complete search history.

(57) **CLAIM**  
 The ornamental design for a hand blender, as shown and described.

(56) **References Cited**  
 U.S. PATENT DOCUMENTS  
 D348,587 S \* 7/1994 Saltet ..... D7/378  
 5,366,286 A \* 11/1994 Ruttimann ..... A47J 43/0705  
 366/331

**DESCRIPTION**

1. Hand blender  
 1.1 Front  
 1.2 Back  
 1.3 Left  
 1.4 Right  
 1.5 Top  
 1.6 Bottom  
 1.7 Perspective  
 The broken lines in reproductions 1.2 and 1.6 depict portions of the hand blender that form no part of the claimed design.

**1 Claim, 7 Drawing Sheets**



(56)

References Cited

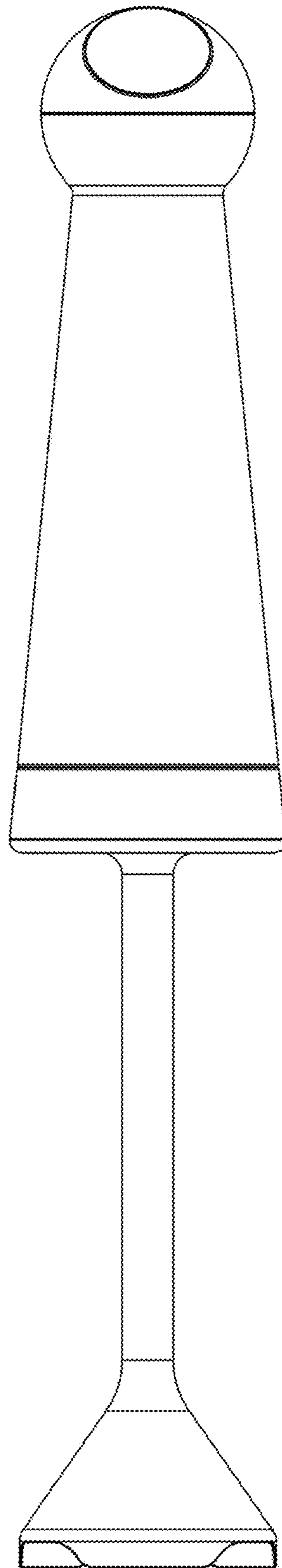
U.S. PATENT DOCUMENTS

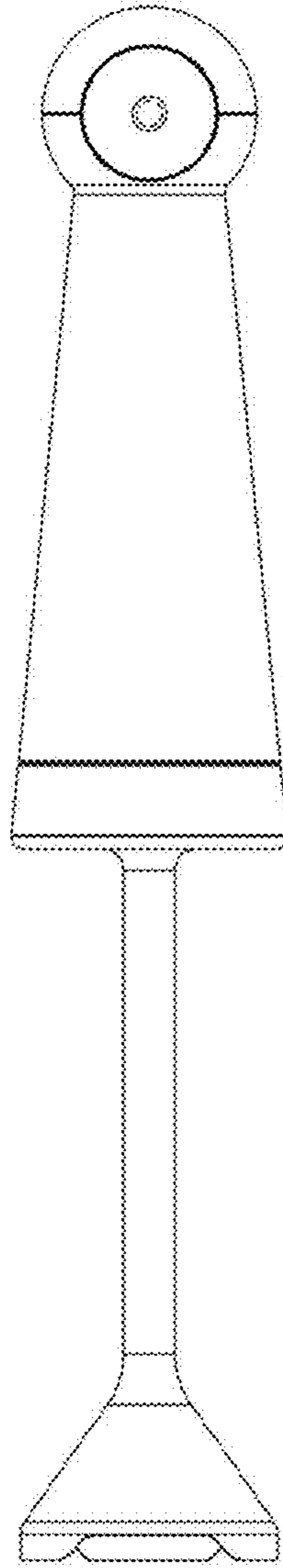
D695,565 S \* 12/2013 Verbrugge ..... D7/378  
 D703,481 S \* 4/2014 Lownds ..... D7/378  
 D724,373 S \* 3/2015 Ji ..... D7/412  
 D724,374 S \* 3/2015 Sanguinetti ..... D7/412  
 D726,496 S \* 4/2015 Vu ..... D7/380  
 D751,858 S \* 3/2016 Zhang ..... D7/378  
 D756,166 S \* 5/2016 Lee ..... D7/380  
 D758,788 S \* 6/2016 Suzuki ..... D7/380  
 D767,934 S \* 10/2016 McConnell ..... D7/380  
 D769,062 S \* 10/2016 McConnell ..... D7/380  
 D783,339 S \* 4/2017 Mullen ..... D7/378  
 D794,382 S \* 8/2017 Vu ..... D7/380  
 D796,255 S \* 9/2017 Vu ..... D7/380  
 D798,652 S \* 10/2017 Müller ..... D7/380  
 D805,345 S \* 12/2017 Ho ..... D7/380  
 D808,211 S \* 1/2018 Vu ..... D7/378  
 D817,081 S \* 5/2018 Verbrugge ..... D7/379  
 D843,163 S \* 3/2019 Gan ..... D7/380  
 D846,340 S \* 4/2019 Gan ..... D7/380  
 D848,205 S \* 5/2019 Mullen ..... D7/378  
 D861,413 S \* 10/2019 Bazzicalupo ..... A47J 43/04  
 D7/379  
 D881,636 S \* 4/2020 Symons ..... D7/378  
 D886,512 S \* 6/2020 Thun ..... D7/378  
 D891,855 S \* 8/2020 McConnell ..... D7/380  
 D897,145 S \* 9/2020 Xiao ..... D7/378  
 D909,119 S \* 2/2021 McConnell ..... D7/380

D911,095 S \* 2/2021 Koszylko ..... D7/378  
 D912,460 S \* 3/2021 Ye ..... D7/380  
 D922,132 S \* 6/2021 Gee ..... D7/380  
 D925,272 S \* 7/2021 McConnell ..... D7/380  
 D932,826 S \* 10/2021 Du ..... D7/380  
 D939,268 S \* 12/2021 McConnell ..... D7/380  
 D943,339 S \* 2/2022 Jo ..... D7/380  
 D944,589 S \* 3/2022 Wu ..... D7/412  
 2005/0078549 A1 \* 4/2005 Hamelin ..... A47J 43/0711  
 366/129  
 2008/0043569 A1 \* 2/2008 Moschetti ..... B01F 33/5011  
 366/279  
 2009/0284027 A1 \* 11/2009 Ogrizek ..... A47J 43/0705  
 29/428  
 2009/0303830 A1 \* 12/2009 Wilson ..... A47J 43/044  
 366/129  
 2011/0235461 A1 \* 9/2011 Gursel ..... B01F 27/2322  
 366/129  
 2015/0375184 A1 \* 12/2015 Cheung ..... B01F 33/5011  
 366/129  
 2016/0015216 A1 \* 1/2016 Egger ..... A47J 43/044  
 366/129  
 2016/0100716 A1 \* 4/2016 Cheung ..... A47J 43/044  
 366/129  
 2016/0128514 A1 \* 5/2016 Merl ..... H02K 7/08  
 366/129  
 2016/0143482 A1 \* 5/2016 Hosner ..... A47J 43/044  
 366/129  
 2017/0065944 A1 \* 3/2017 Cheung ..... A47J 43/0755

\* cited by examiner

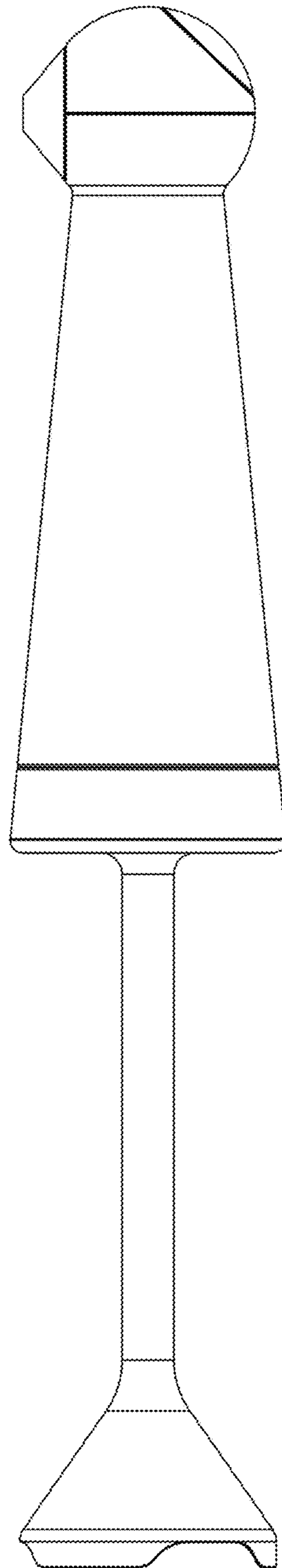
1.1



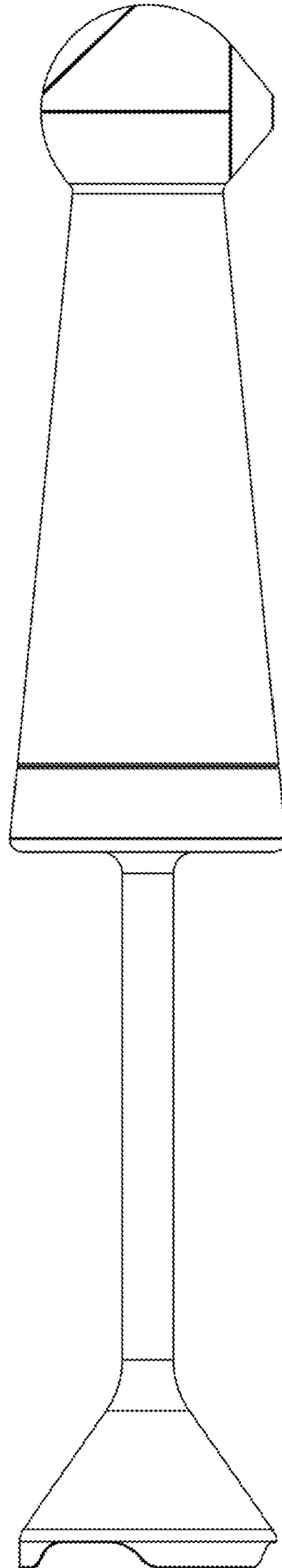


1.2

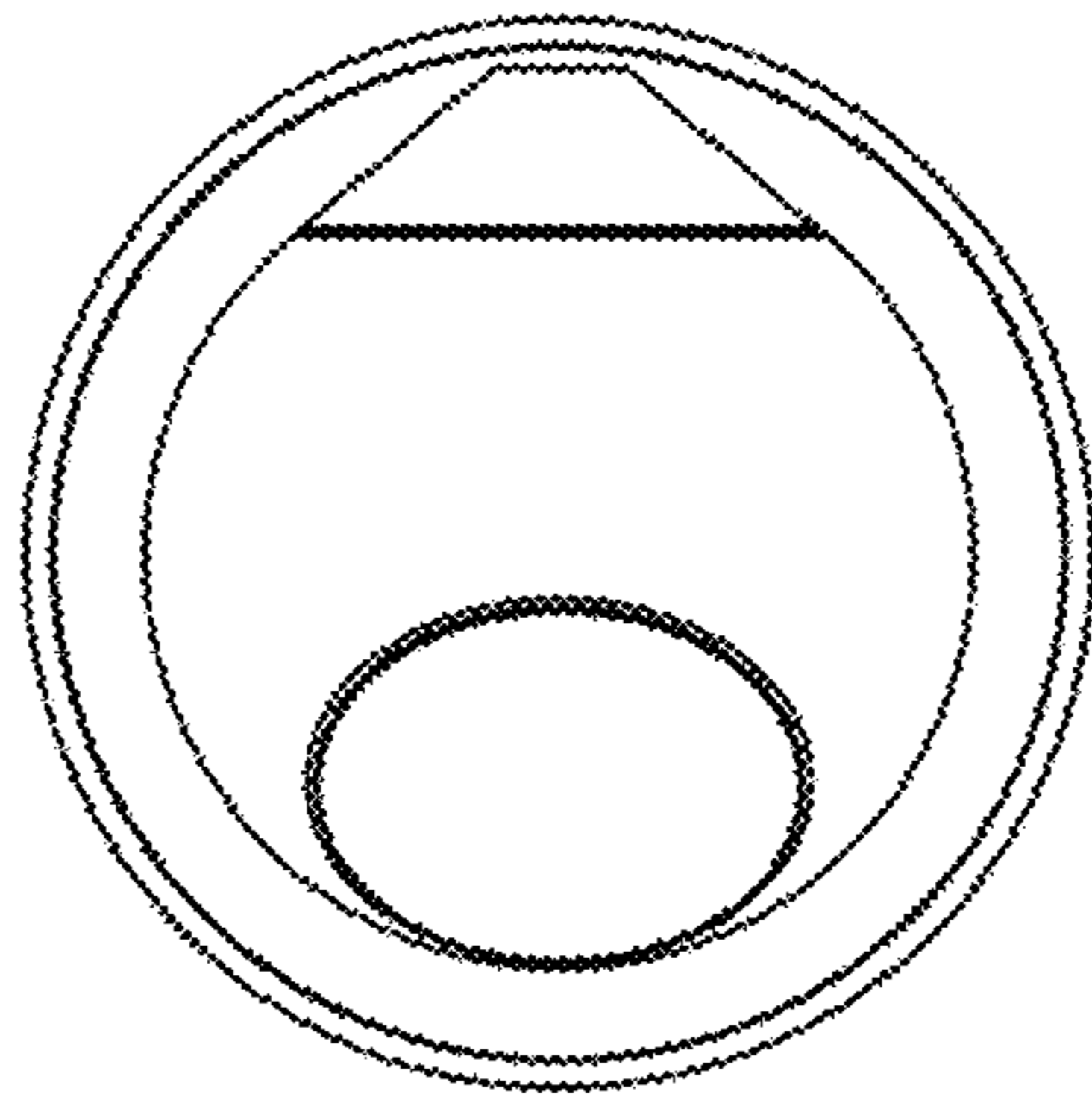
1.3

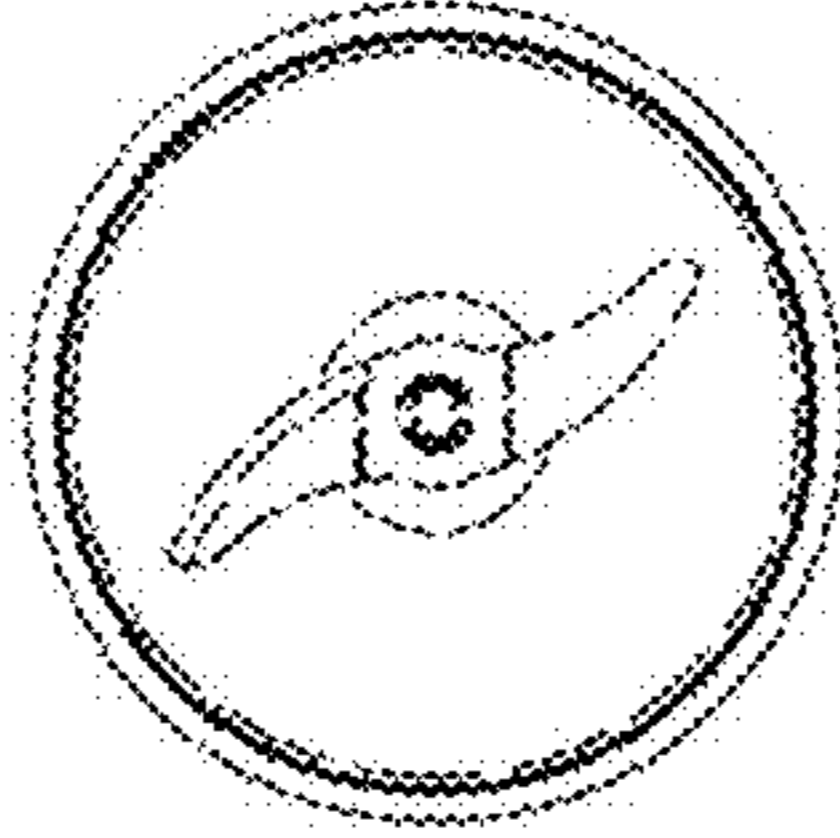


1.4



1.5







1.7

