



US00D961987S

(12) **United States Design Patent**
Farshadi

(10) **Patent No.:** **US D961,987 S**

(45) **Date of Patent:** **** Aug. 30, 2022**

(54) **COOKING POT**

(71) Applicant: **Arash Farshadi**, Zhejiang (CN)

(72) Inventor: **Arash Farshadi**, Zhejiang (CN)

(**) Term: **15 Years**

(21) Appl. No.: **29/773,884**

(22) Filed: **Mar. 12, 2021**

(51) **LOC (13) Cl.** **07-02**

(52) **U.S. Cl.**
USPC **D7/360; D7/354**

(58) **Field of Classification Search**

USPC D7/323, 354–363, 391, 393–396, 409,
D7/510, 538, 542, 545, 548, 586, 602
CPC A47G 19/12; A47J 27/00; A47J 27/002;
A47J 27/08; A47J 27/21; A47J 27/58;
A47J 36/025; A47J 36/02; A47J 36/06;
A47J 36/12; A47J 37/00; A47J 37/0704;
A47J 37/10; A47J 37/101; A47J 37/103;
A47J 37/12; A47J 37/1204; A47J 45/061;
A47J 45/071; A47J 45/08; H05B 6/12
See application file for complete search history.

(56) **References Cited**

U.S. PATENT DOCUMENTS

D174,605 S * 4/1955 Ziskin D7/542
D202,062 S * 8/1965 Yamazaki D7/360

D557,972 S * 12/2007 Ablo D7/354
D618,490 S * 6/2010 Li D7/354
D618,492 S * 6/2010 Li D7/354
D666,866 S * 9/2012 Lion D7/354
D697,361 S * 1/2014 Kim D7/354
D733,498 S * 7/2015 Matharu D7/300.1
D818,759 S * 5/2018 Choi D7/354
D850,185 S * 6/2019 Terao D7/354

* cited by examiner

Primary Examiner — Ricky Pham

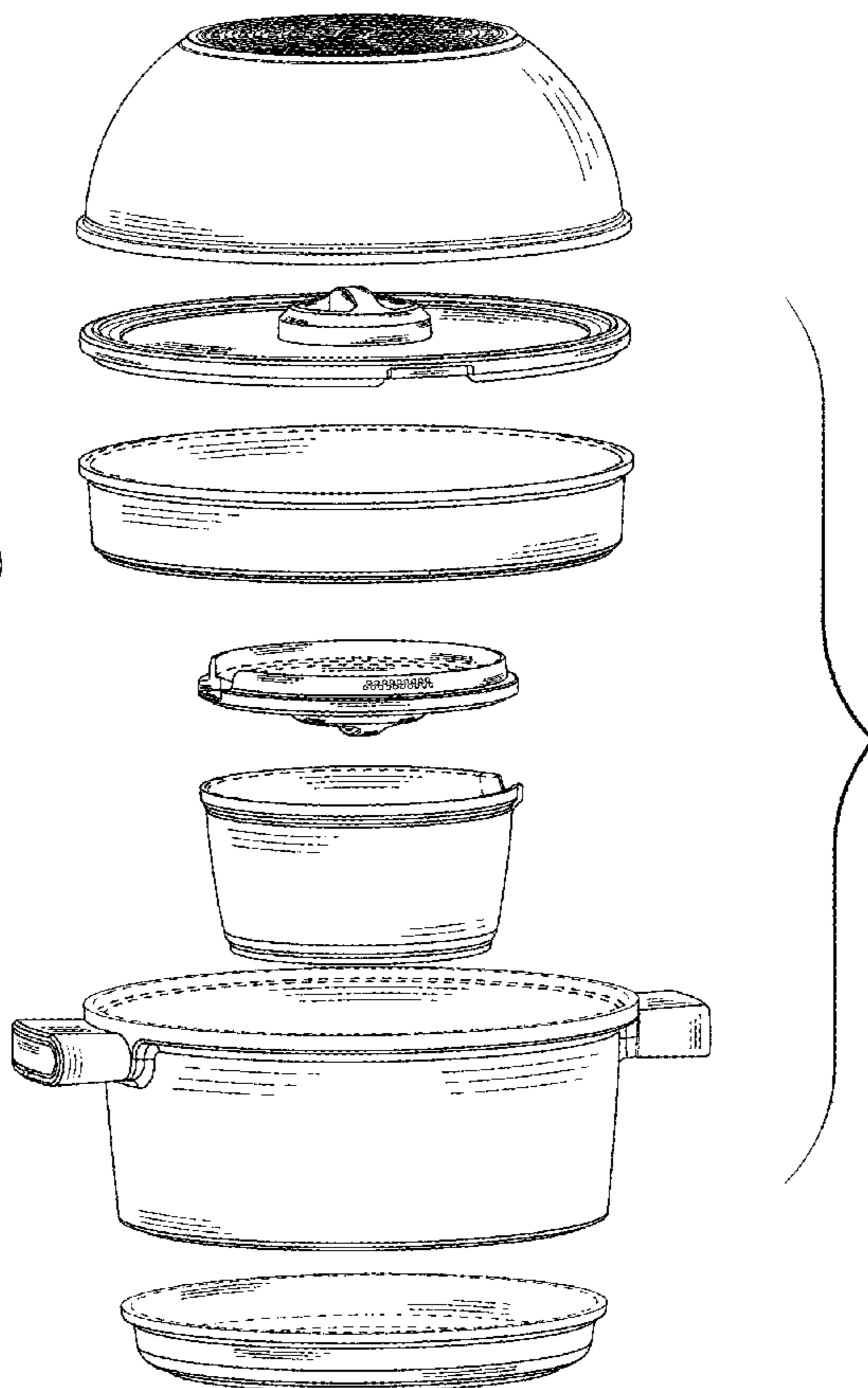
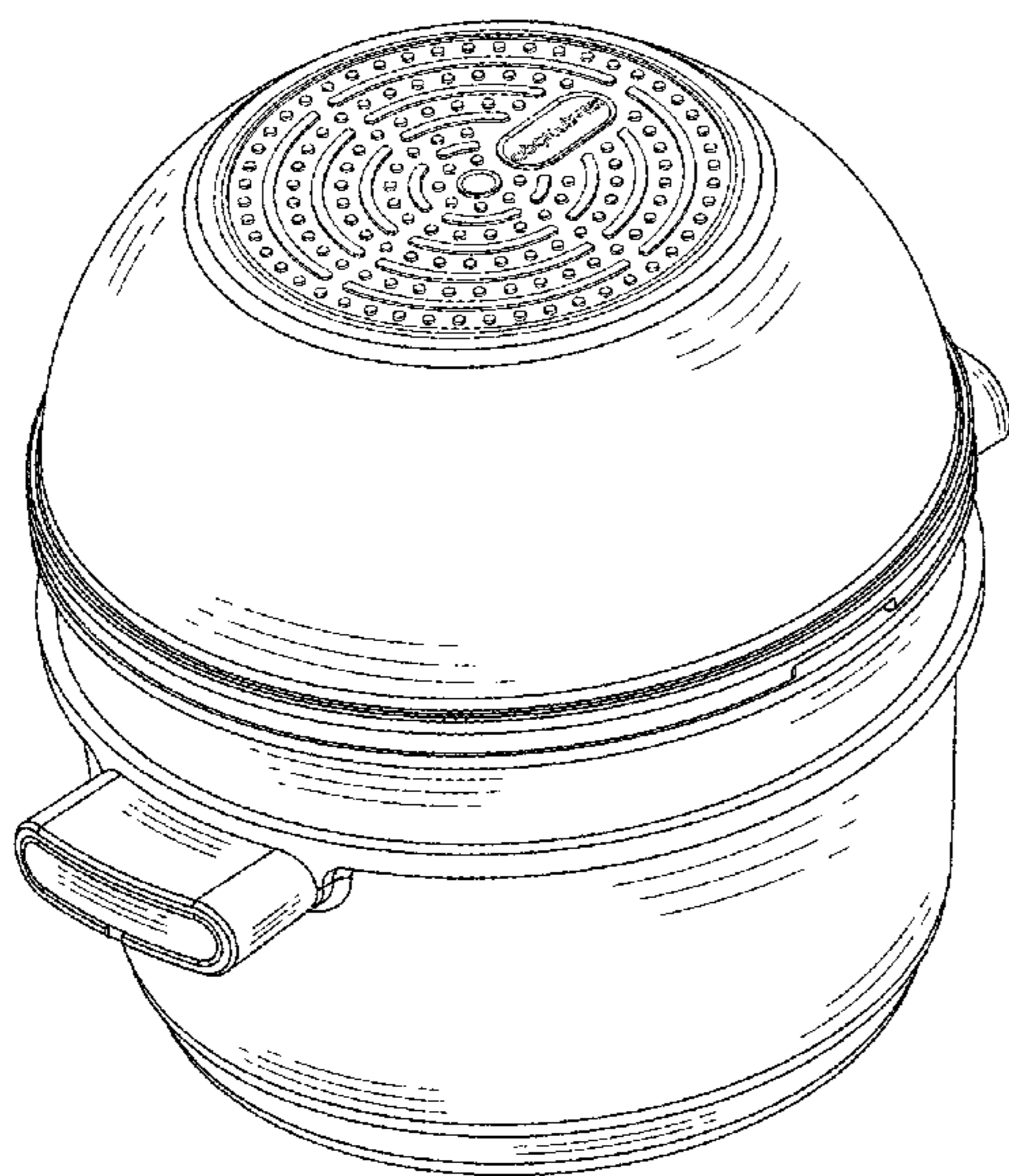
(57) **CLAIM**

The ornamental design for a cooking pot, as shown and described.

DESCRIPTION

FIG. 1 is a perspective view of a cooking pot showing my new design;
FIG. 2 is a front elevational view thereof;
FIG. 3 is a rear elevational view thereof;
FIG. 4 is a left side elevational view thereof;
FIG. 5 is a right side elevational view thereof;
FIG. 6 is a top plan view thereof;
FIG. 7 is a bottom plan view thereof; and,
FIG. 8 is an exploded perspective view showing the various components of the claimed design thereof.
The broken lines throughout the drawing figures depict portions of the cooking pot that form no part of the claimed design.

1 Claim, 8 Drawing Sheets



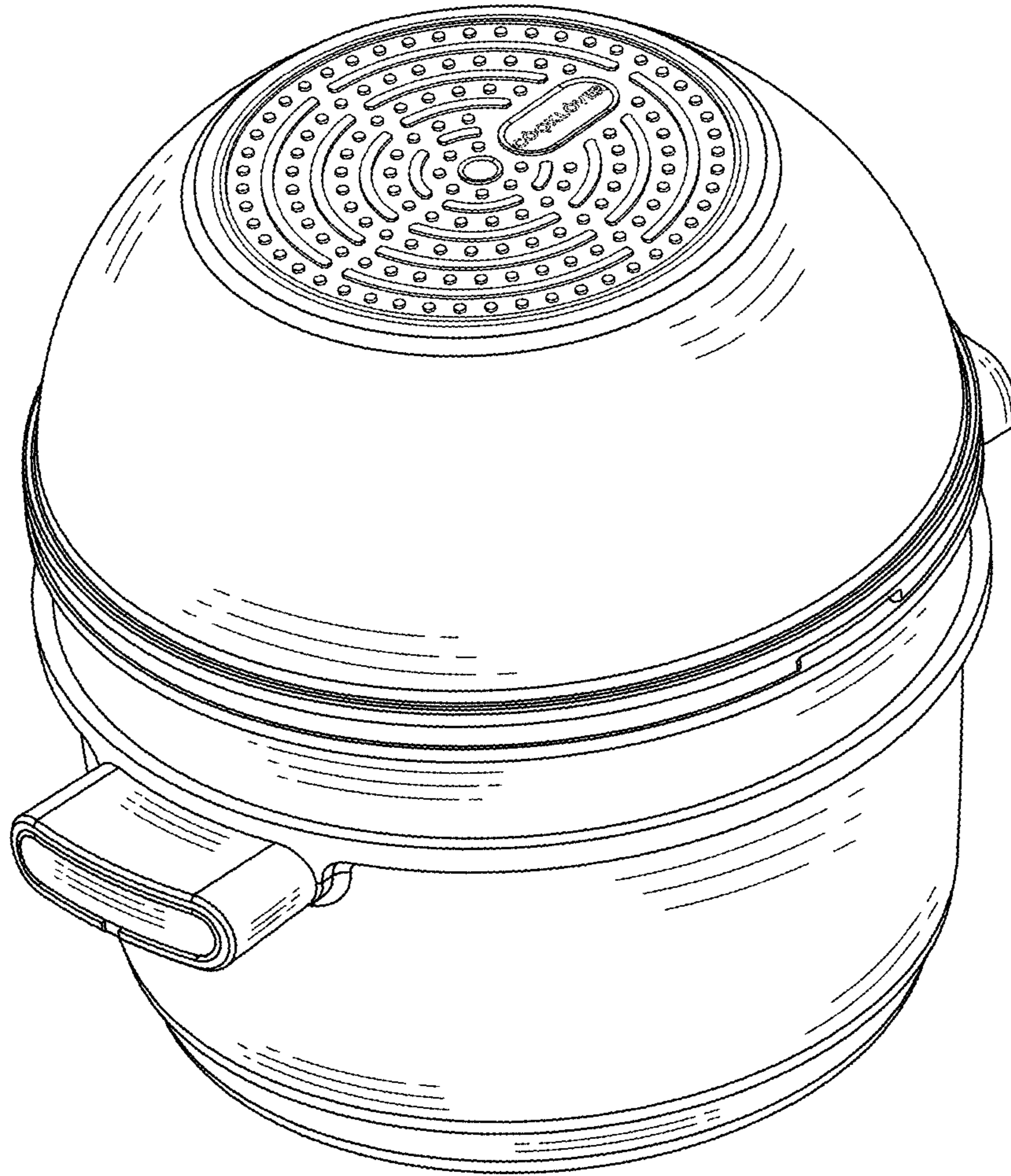


FIG.1

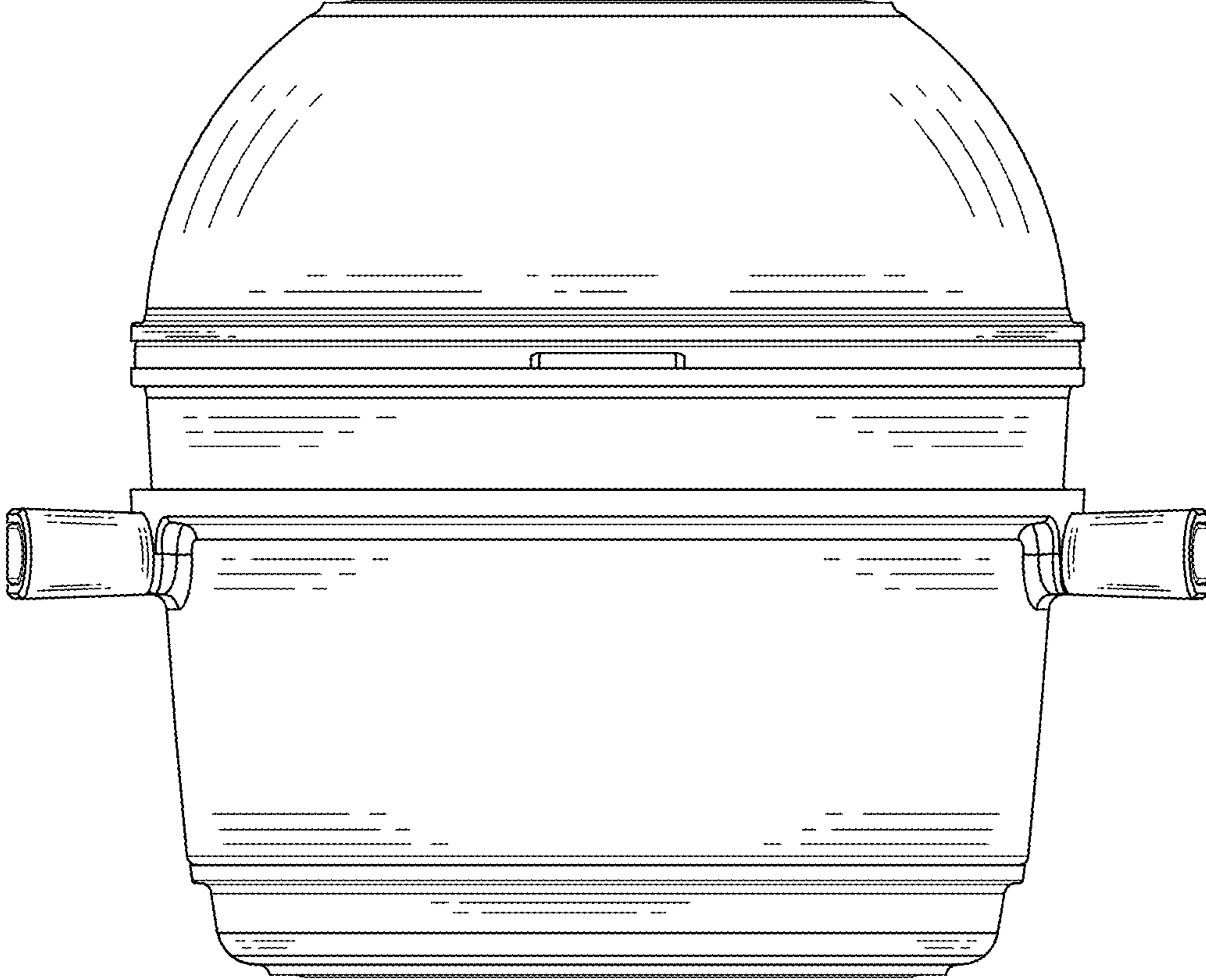


FIG.2

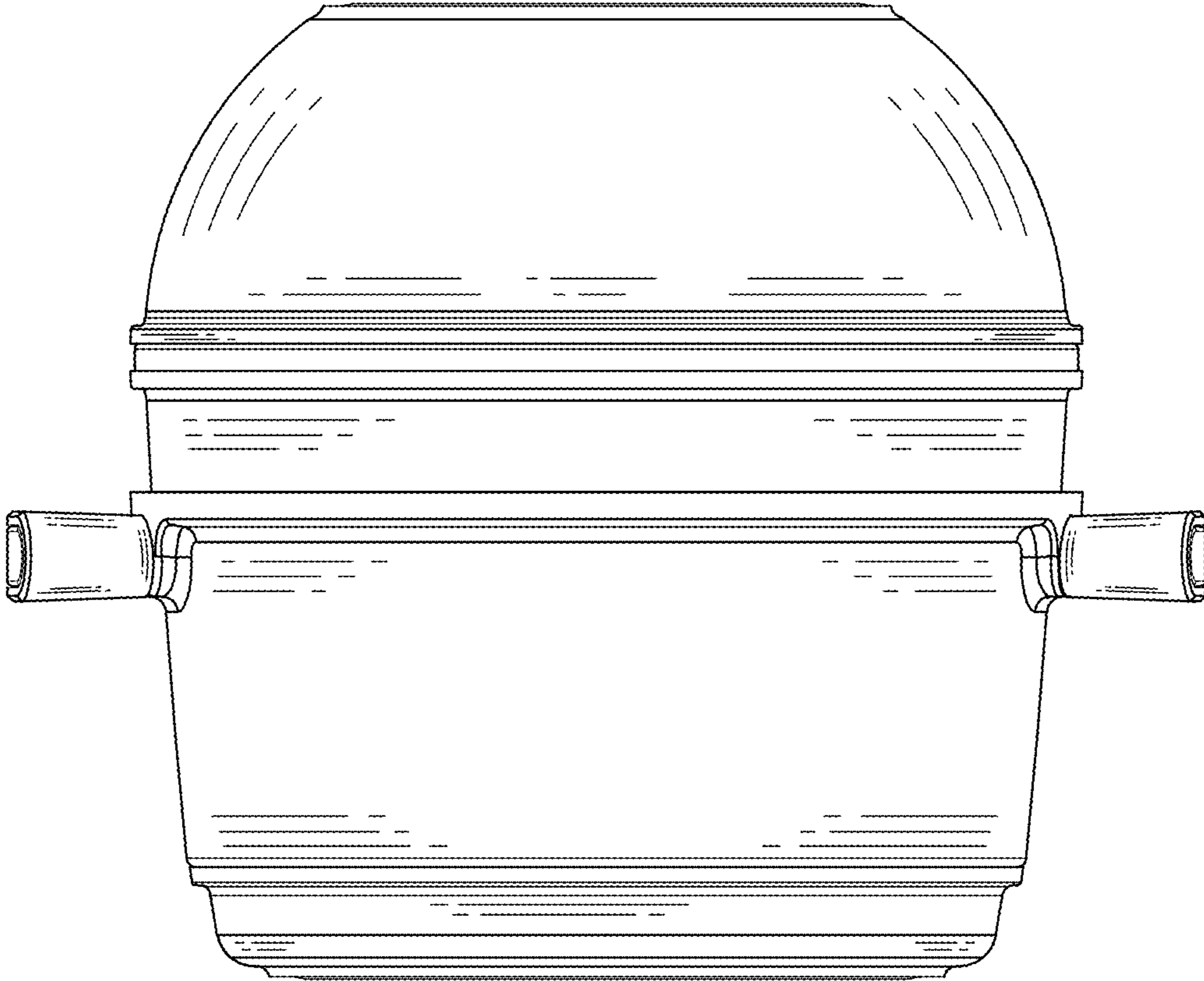


FIG.3

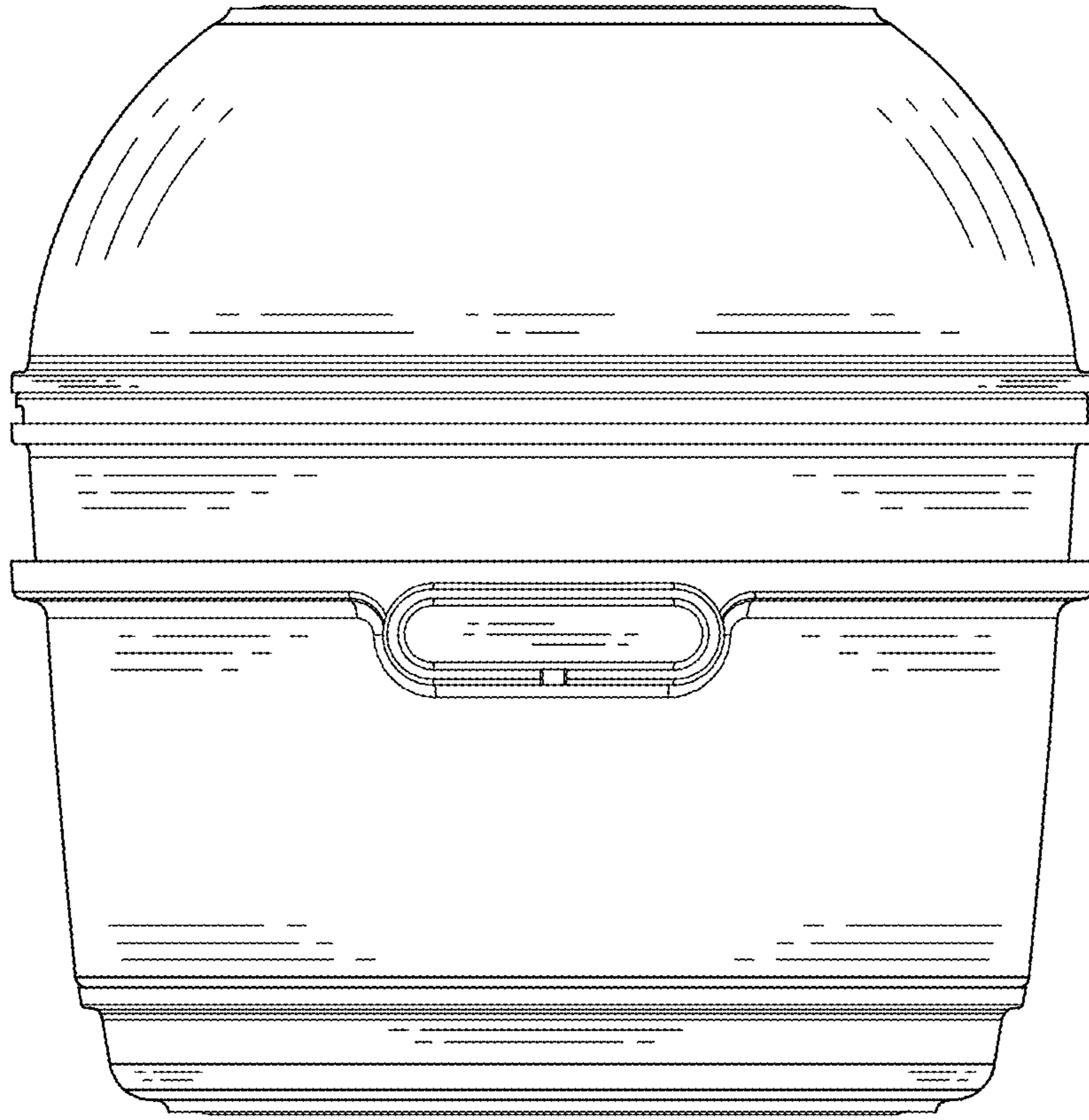


FIG.4

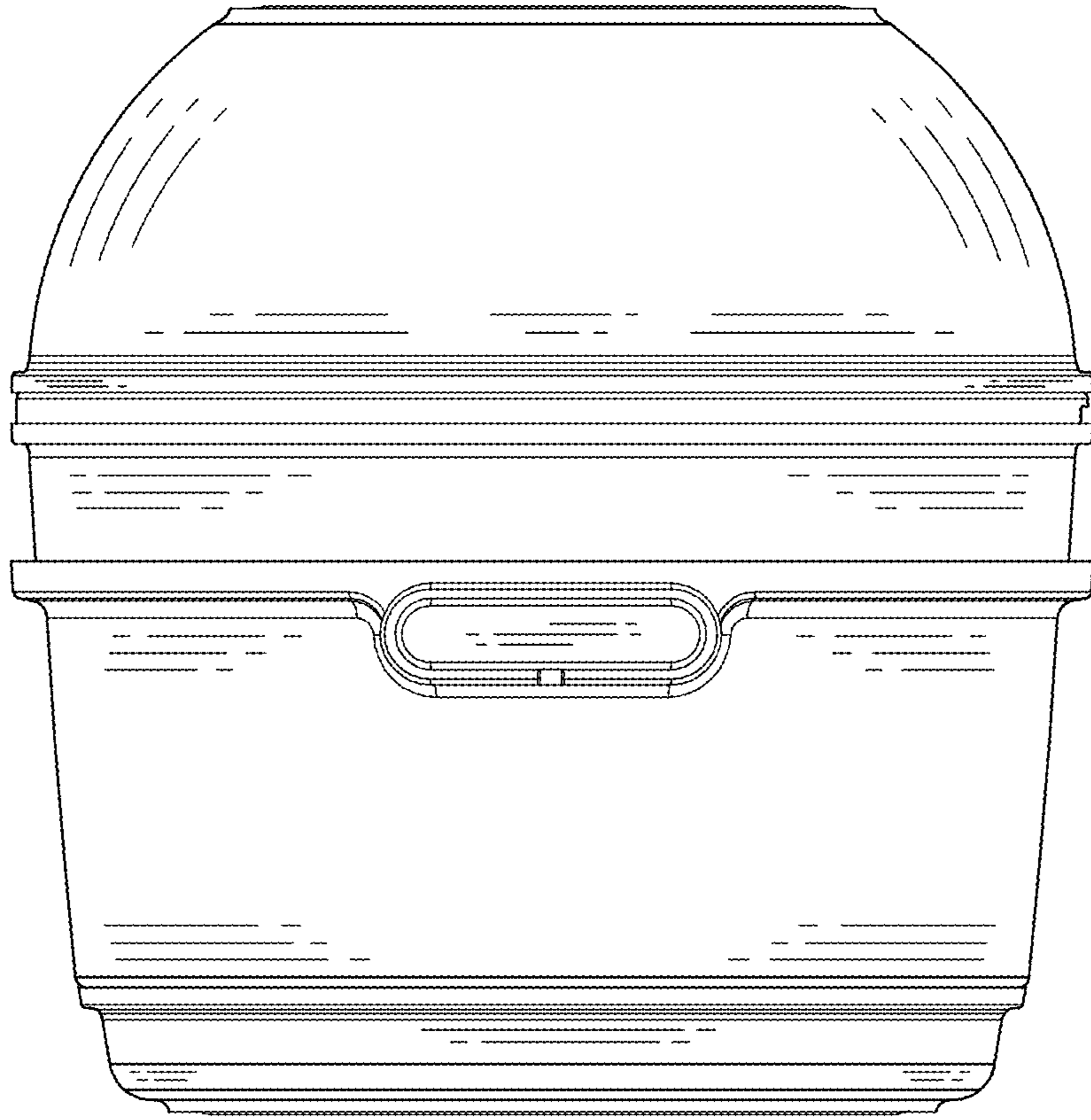


FIG.5

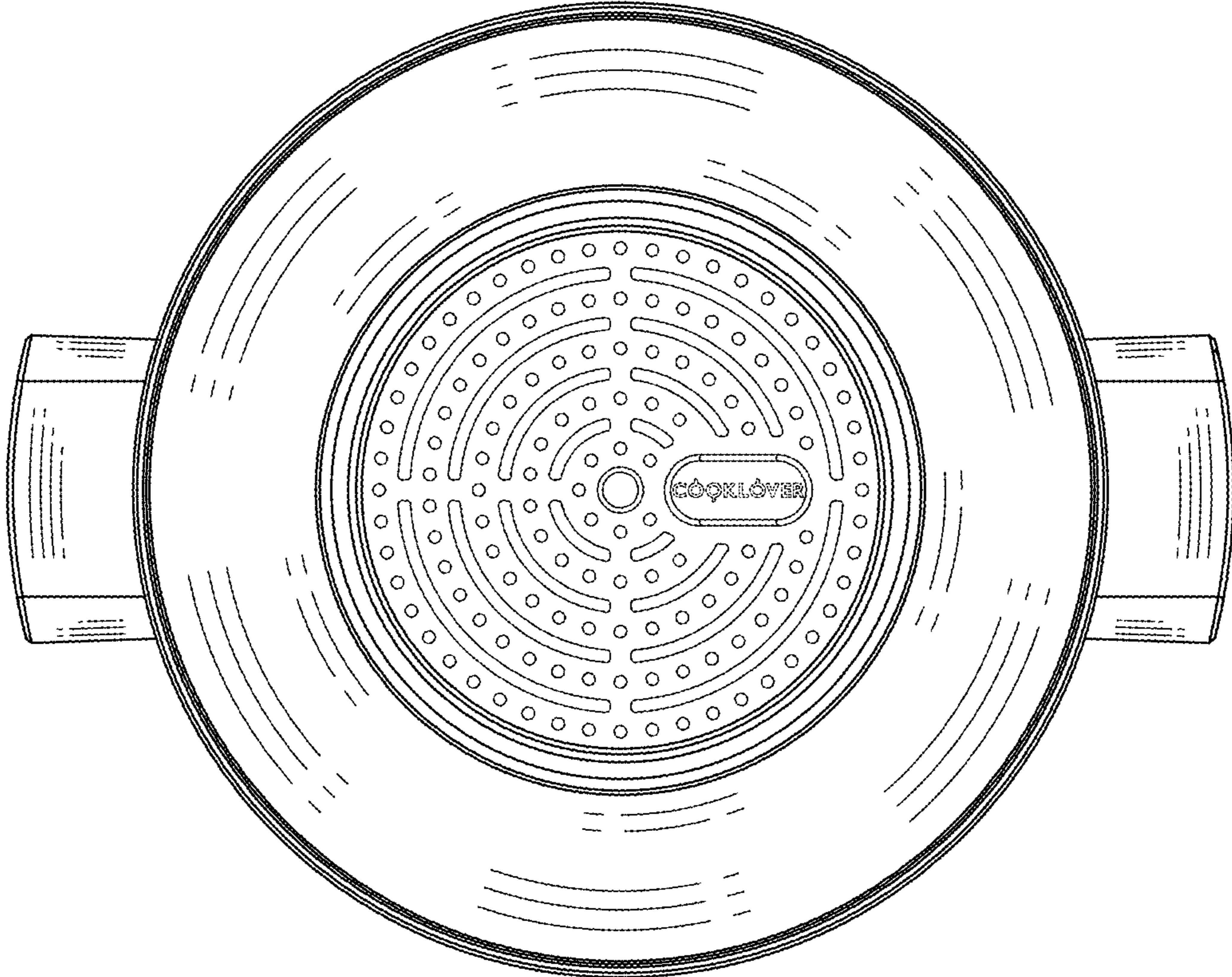


FIG.6

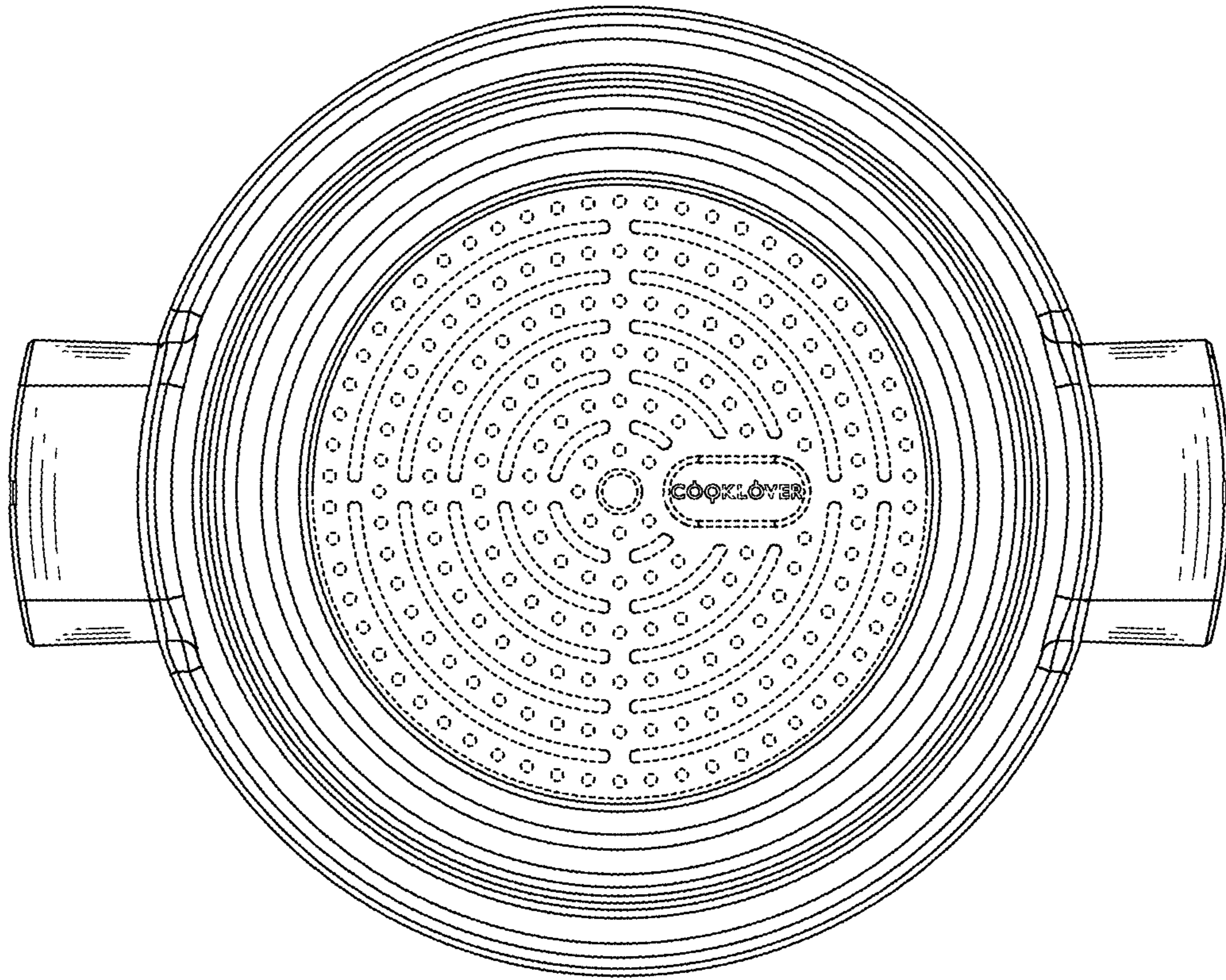


FIG.7

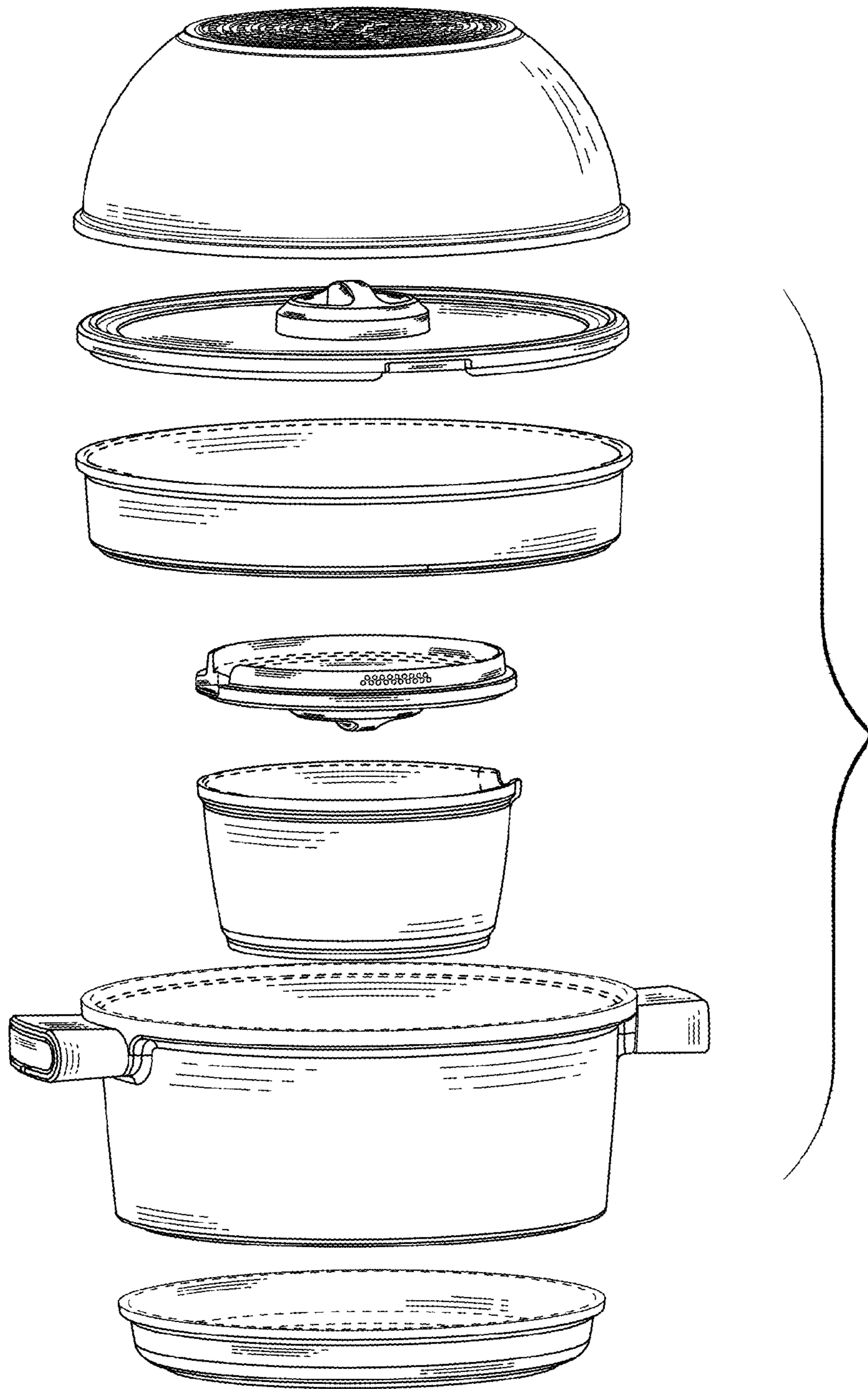


FIG. 8