



US00D961986S

(12) **United States Design Patent**
Zhou

(10) **Patent No.:** **US D961,986 S**

(45) **Date of Patent:** **** Aug. 30, 2022**

(54) **OVEN**

(71) Applicant: **FOSHAN HANSHI HEATING
EQUIPMENT MANUFACTURERE
CO., LTD., Foshan (CN)**

(72) Inventor: **Ming Zhou, Foshan (CN)**

(73) Assignee: **FOSHAN HANSHI HEATING
EQUIPMENT MANUFACTURERE
CO., LTD., Foshan (CN)**

(**) Term: **15 Years**

(21) Appl. No.: **29/790,427**

(22) Filed: **Nov. 26, 2021**

(51) **LOC (13) Cl.** **07-02**

(52) **U.S. Cl.**
USPC **D7/352**

(58) **Field of Classification Search**
USPC D7/323, 328-330, 337, 347, 352-364,
D7/367, 402, 409-411

CPC . A21B 5/023; A47J 27/60; A47J 27/62; A47J
37/04; A47J 37/06; A47J 37/067; A47J
37/0605; A47J 37/0611; A47J 37/0623;
A47J 37/0629; A47J 37/0676; A47J
2037/06; A47J 2037/0611; F24C 15/10;
F24C 15/102; H05B 6/02; H05B 6/062

See application file for complete search history.

(56) **References Cited**

U.S. PATENT DOCUMENTS

D413,760 S *	9/1999	Tsai	D7/352
D446,074 S *	8/2001	Barker	D7/352
D462,566 S *	9/2002	Wu	D7/352
D463,950 S *	10/2002	Wu	D7/352
D475,237 S *	6/2003	Lin	D7/352
D494,407 S *	8/2004	Lin	D7/347
D522,802 S *	6/2006	Dreimann	D7/352

D638,260 S *	5/2011	Lin	D7/402
D650,220 S *	12/2011	Miller	D7/402
D718,976 S *	12/2014	Miller	D7/352
D719,395 S *	12/2014	Miller	D7/352
D773,232 S	12/2016	Shoemaker et al.		
D781,635 S	3/2017	Koszylko		
D903,398 S	12/2020	Bhogal et al.		
D931,673 S	9/2021	Shao		
2010/0037783 A1 *	2/2010	Chen	A47J 37/0676 99/385
2017/0013998 A1 *	1/2017	McNerney	A47J 37/0611

OTHER PUBLICATIONS

George Foreman Electric Indoor Grill and Panini Press. Date First Available on Amazon.com Dec. 15, 2019. <https://www.amazon.com/George-Foreman-2-Serving-Electric-GRS040B/dp/B098BP4463/ref> (Year: 2019).*

* cited by examiner

Primary Examiner — Ricky Pham

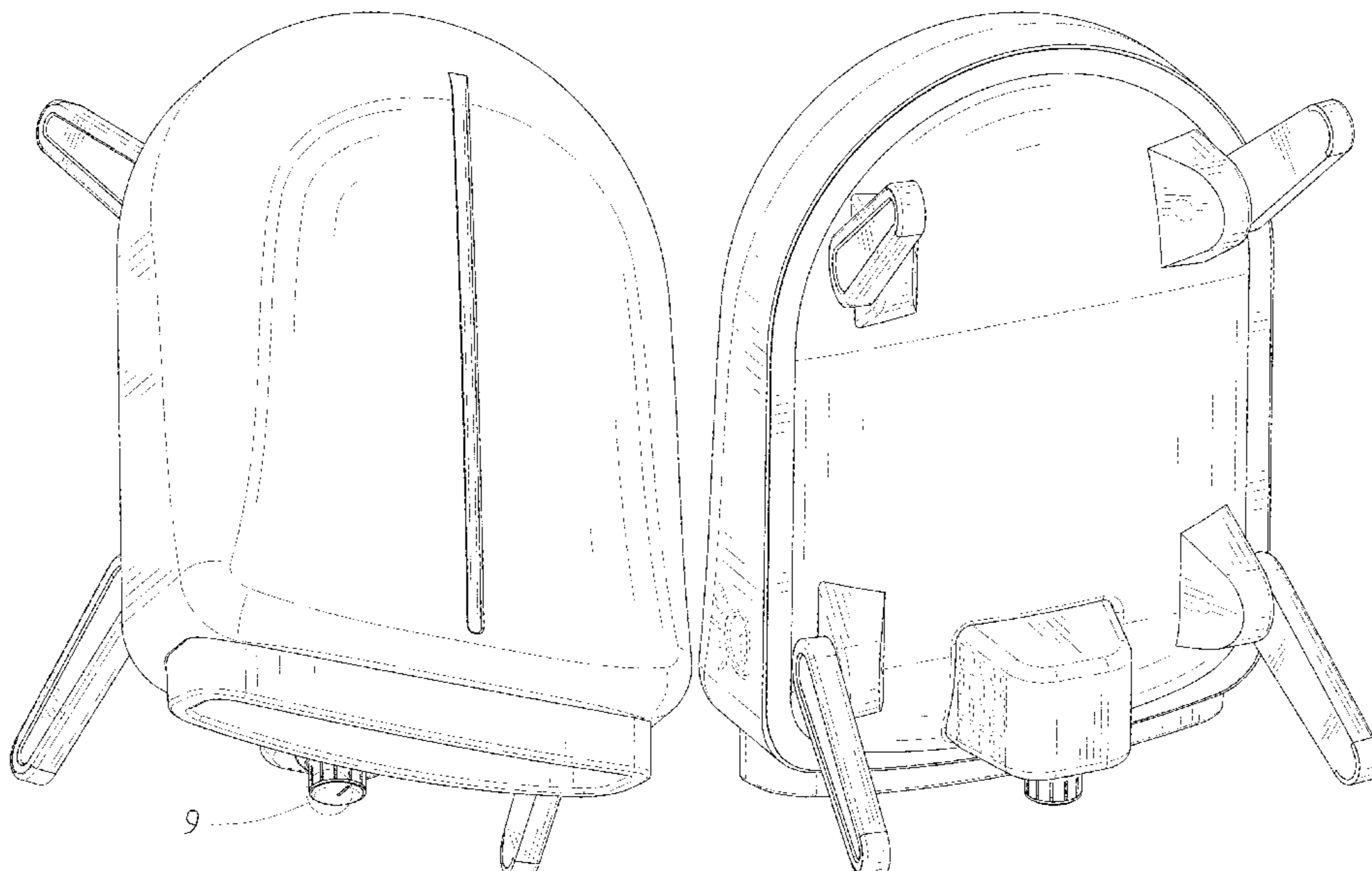
(57) **CLAIM**

The ornamental design for an oven, as shown and described.

DESCRIPTION

FIG. 1 is a first perspective view of an oven showing my new design;
FIG. 2 is a second perspective view thereof;
FIG. 3 is a front view thereof;
FIG. 4 is a back view thereof;
FIG. 5 is a left side view thereof;
FIG. 6 is a right side view thereof;
FIG. 7 is a top view thereof;
FIG. 8 is a bottom view thereof; and,
FIG. 9 is an enlarged view of the selected portion in FIG. 1.
The broken lines shown in the drawings depict portions of the oven in which the design is embodied that form no part of the claimed design.

1 Claim, 9 Drawing Sheets



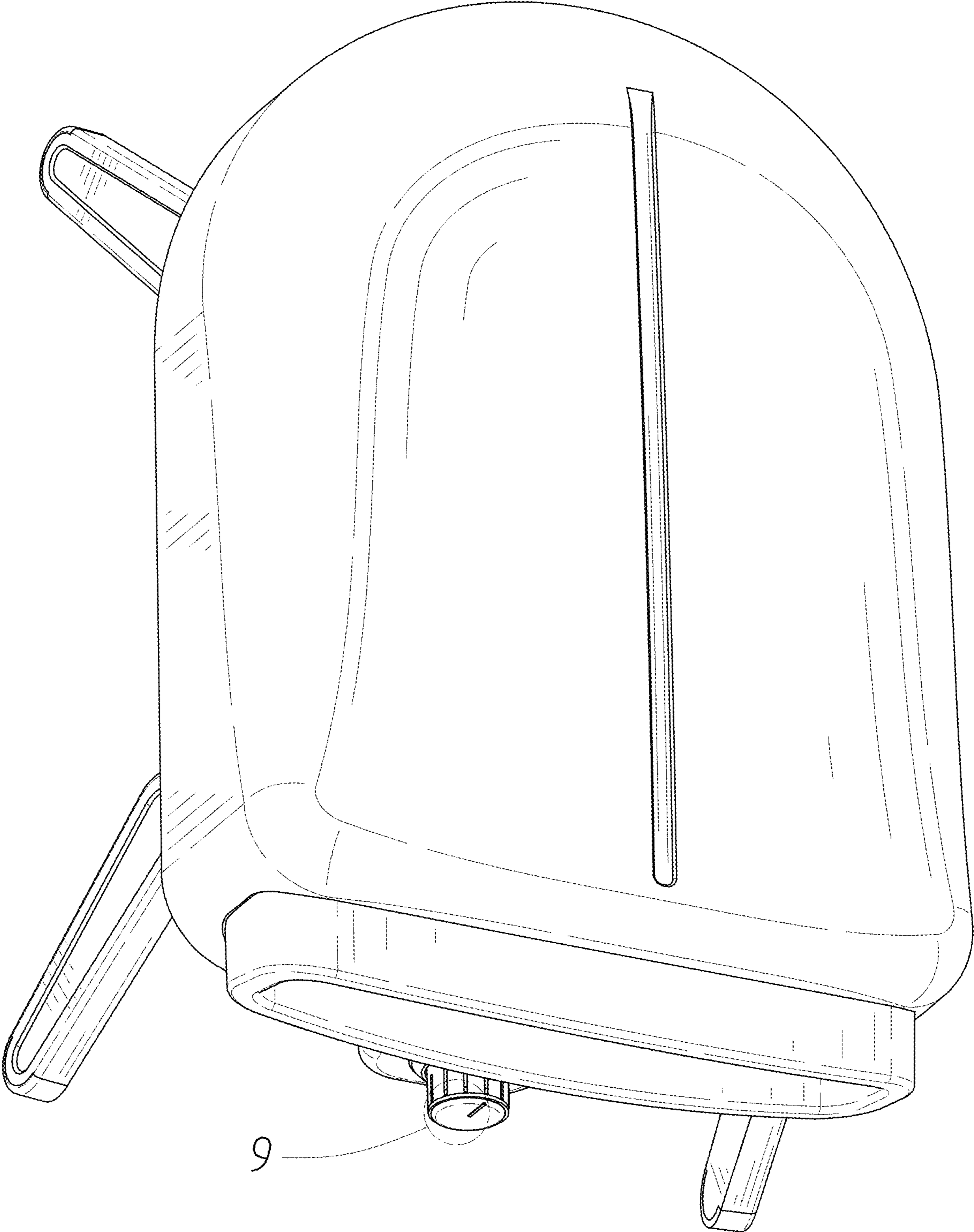


FIG. 1

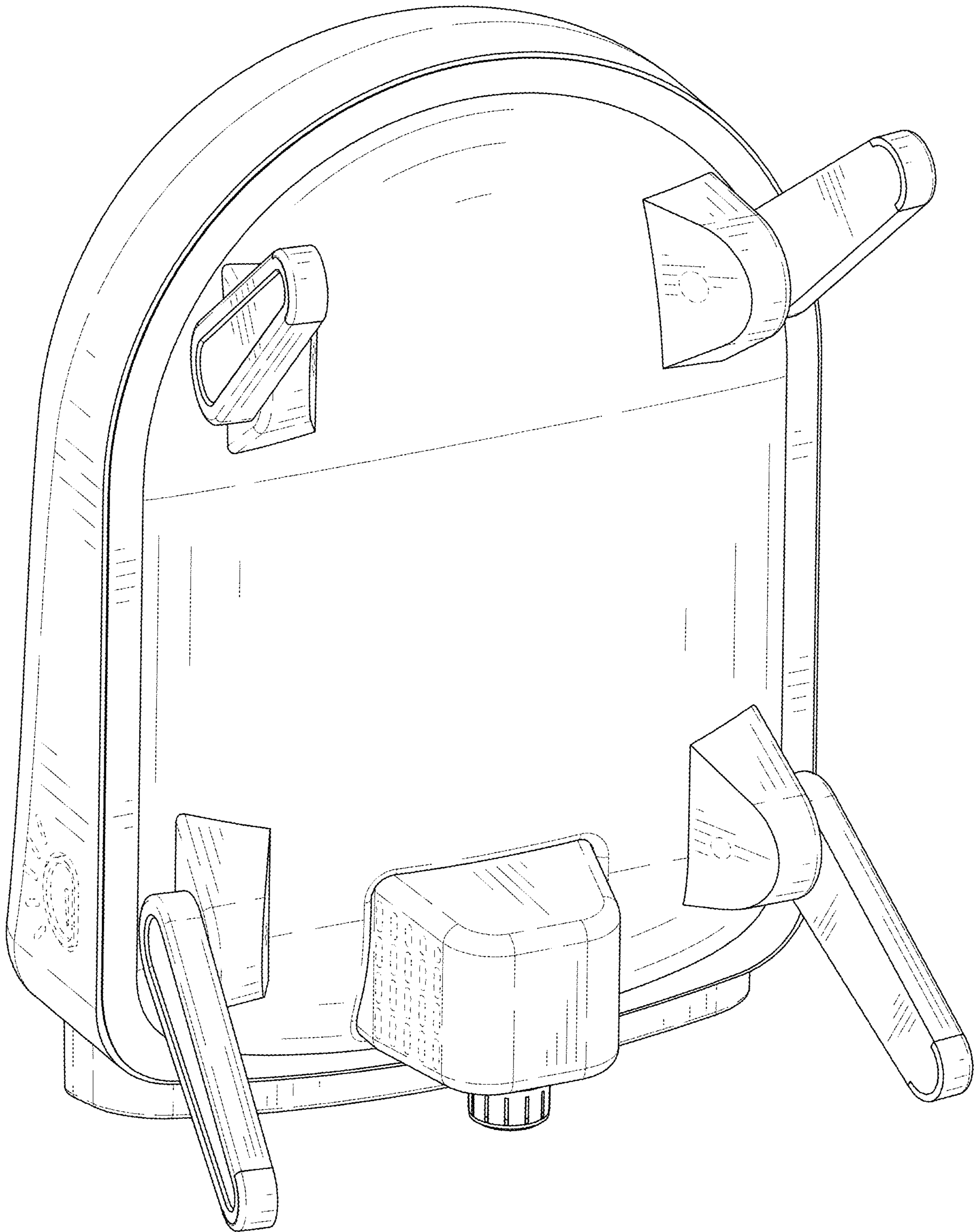


FIG. 2

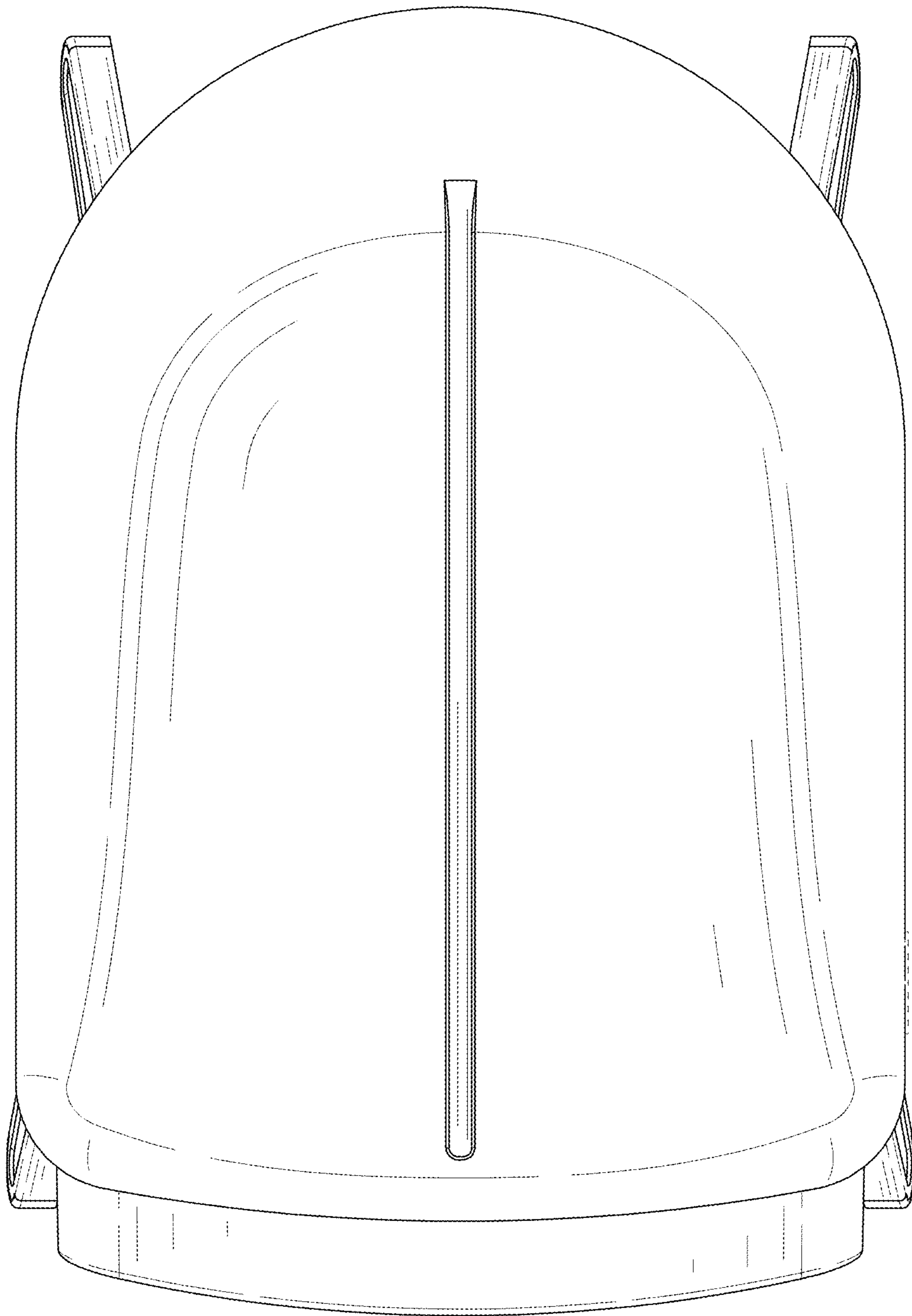


FIG. 3

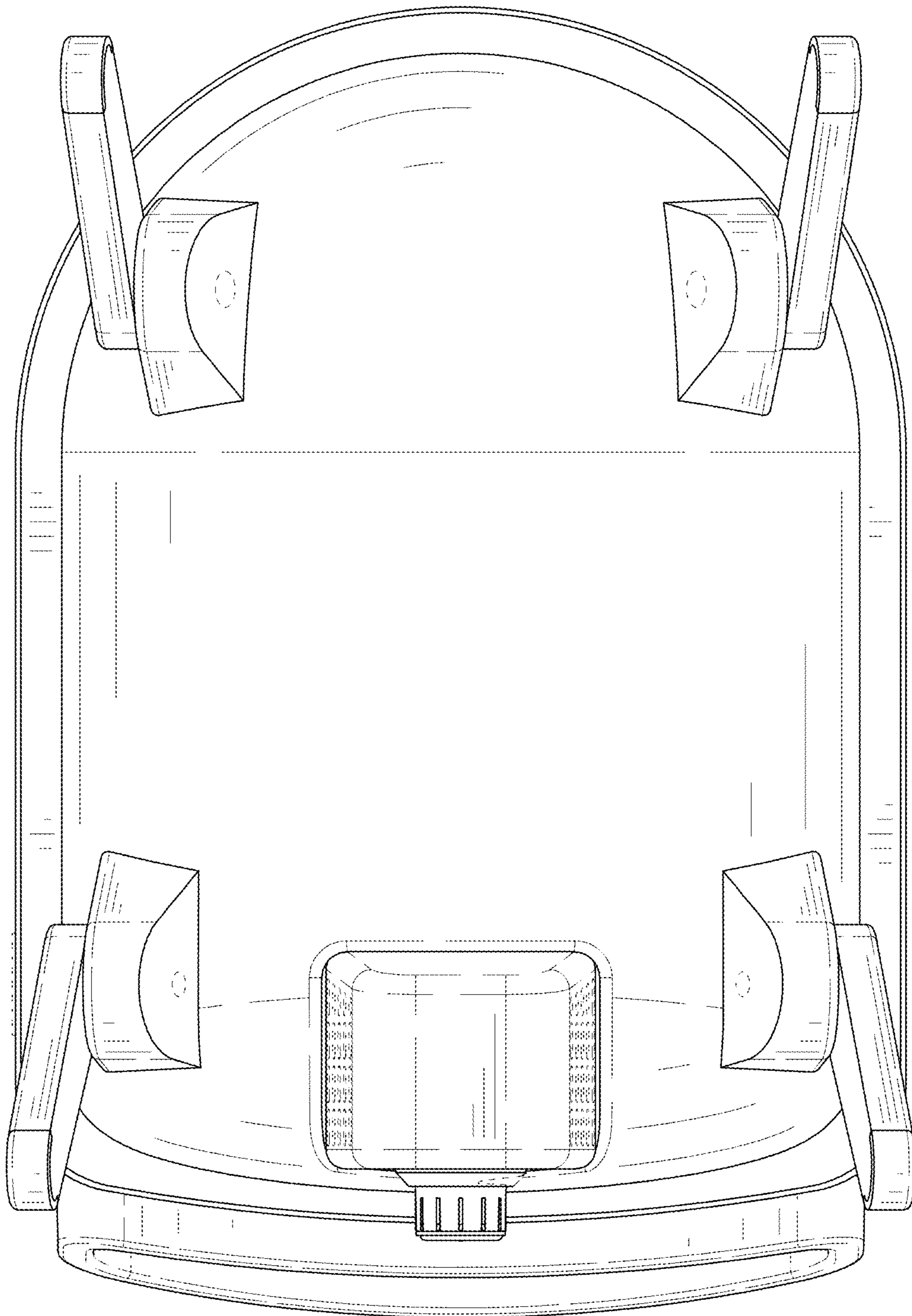


FIG. 4

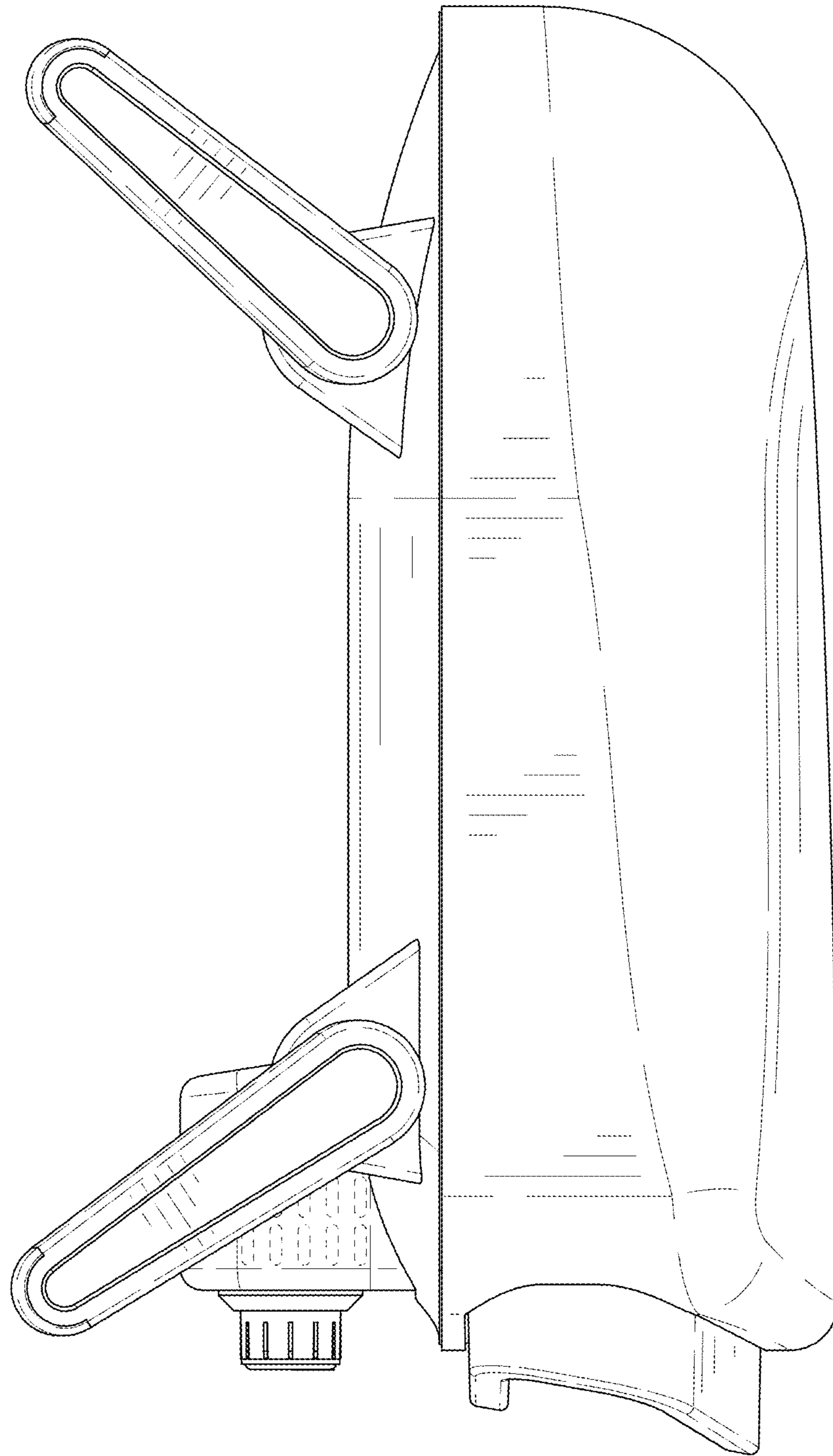


FIG. 5

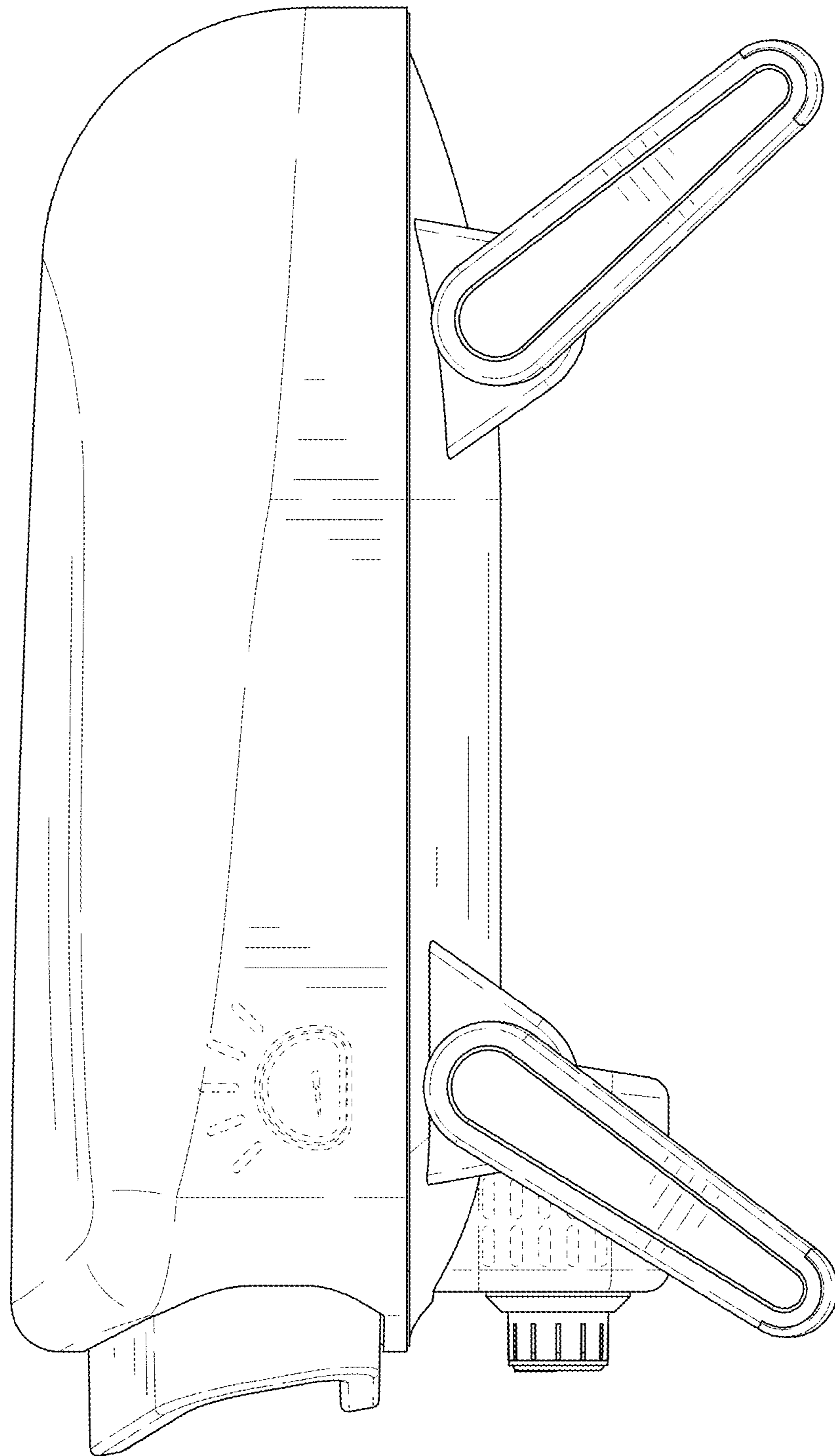


FIG. 6

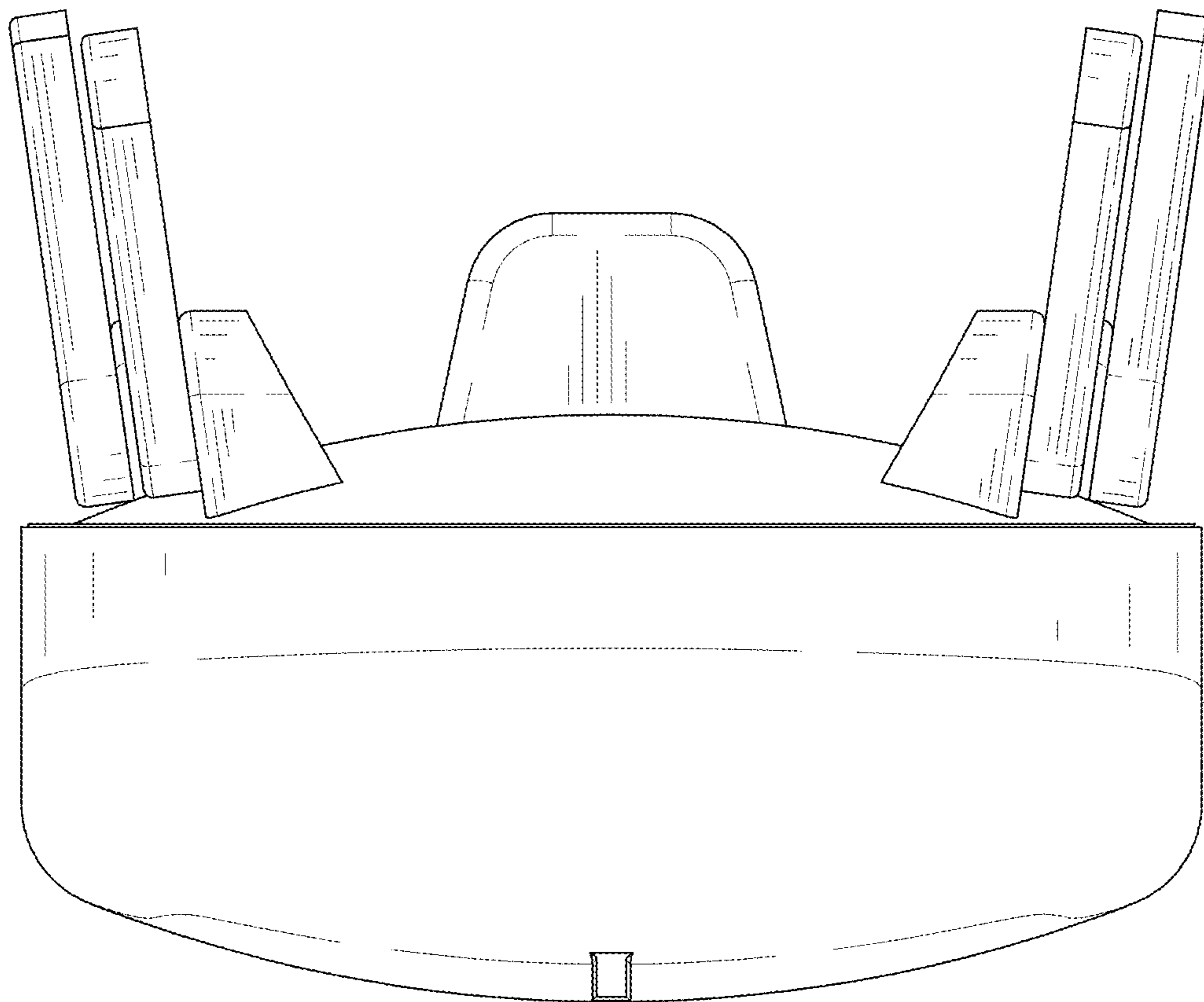


FIG. 7

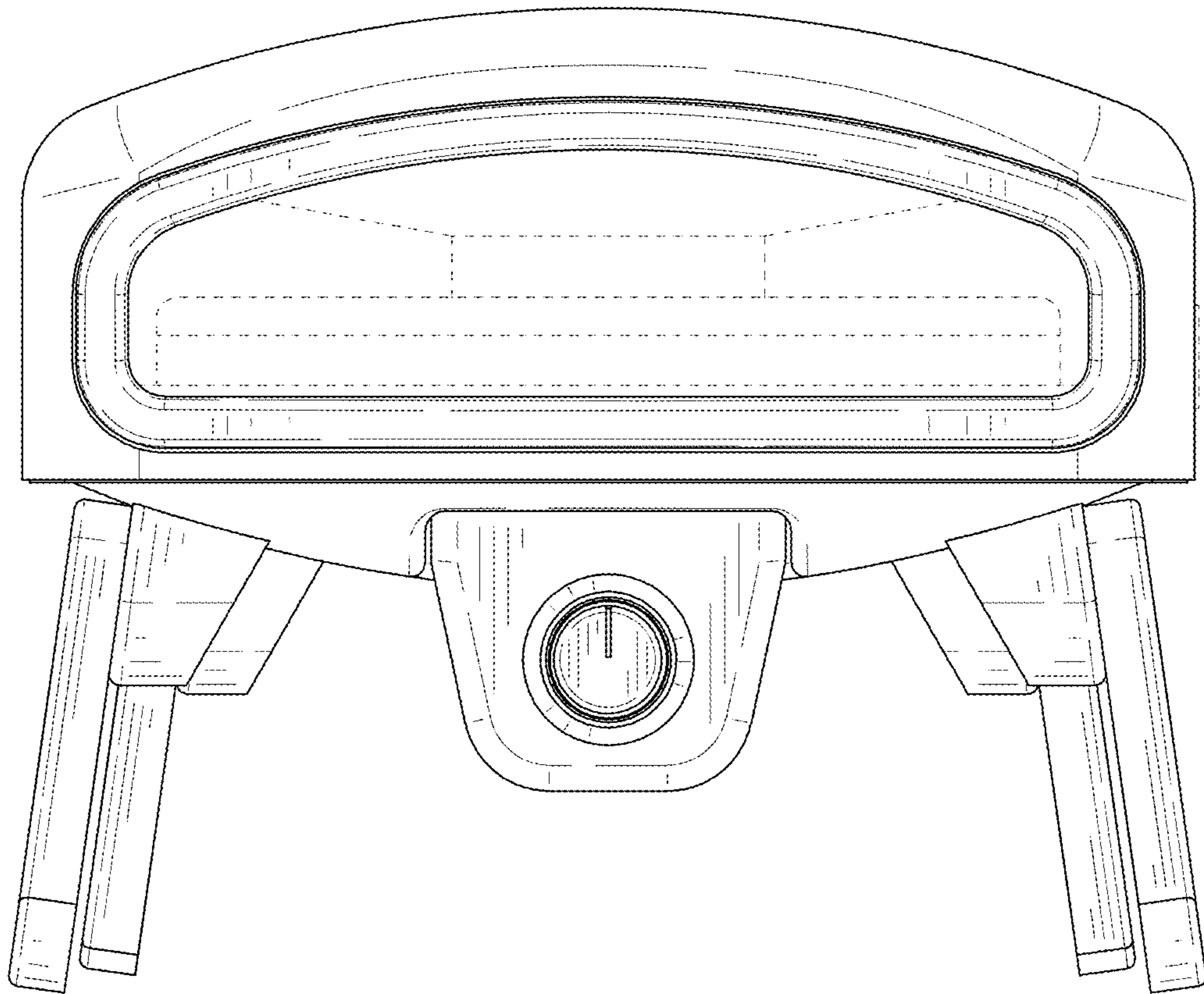


FIG. 8

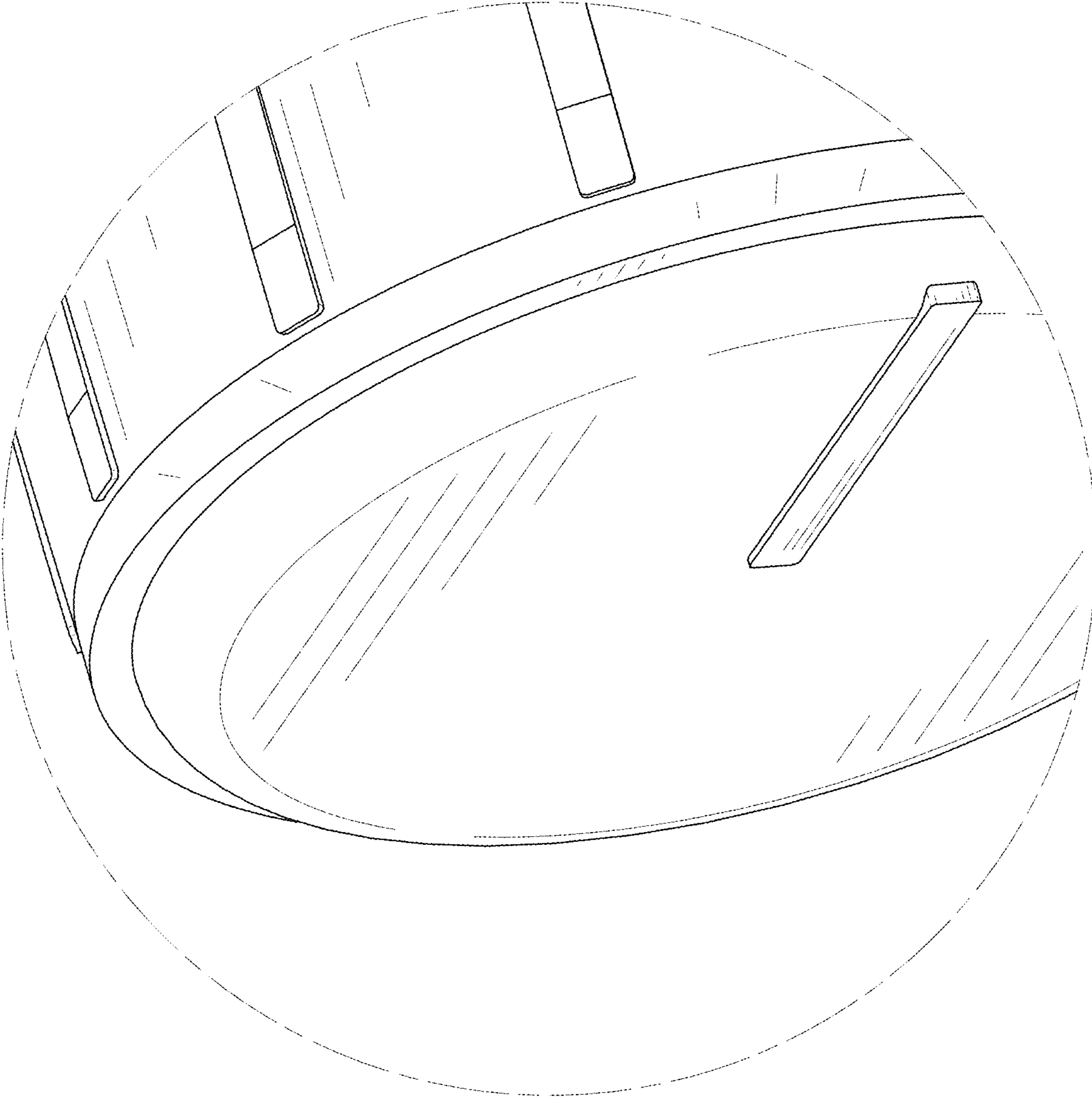


FIG. 9