



US00D961984S

(12) **United States Design Patent** (10) **Patent No.:** **US D961,984 S**  
**Williams et al.** (45) **Date of Patent:** **\*\* Aug. 30, 2022**

(54) **GRILL**

FOREIGN PATENT DOCUMENTS

(71) Applicant: **Home Depot Product Authority, LLC**,  
Atlanta, GA (US)

CN 203676893 7/2014  
CN 204889720 12/2015

(Continued)

(72) Inventors: **Dan Williams**, Arlington Heights, IL  
(US); **Riley Wong**, Arlington Heights,  
IL (US); **Jason Carley**, Arlington  
Heights, IL (US); **Steve Oshgan**,  
Arlington Heights, IL (US)

OTHER PUBLICATIONS

Americana Walk-A-Bout [online] URL: <https://www.homedepot.com/p/Americana-Walk-A-Bout-Portable-Charcoal-Grill-4200-0A236/100164850> (site visited: Nov. 1, 2021) (Year: 2013).\*

(Continued)

(73) Assignee: **Home Depot Product Authority, LLC**,  
Atlanta, GA (US)

(\*\*) Term: **15 Years**

*Primary Examiner* — Jae Liang

*Assistant Examiner* — Tia Ruth-Renee Polidori

(21) Appl. No.: **29/729,433**

(74) *Attorney, Agent, or Firm* — Greenberg Traurig, LLP

(22) Filed: **Mar. 26, 2020**

(51) **LOC (13) Cl.** ..... **07-02**

(52) **U.S. Cl.**

USPC ..... **D7/334; D7/332**

(58) **Field of Classification Search**

USPC ..... D23/314, 332, 335, 339, 343, 345;  
D7/323, 332, 334, 339, 347, 362, 363,  
D7/387, 402, 403, 405, 408, 409;  
D8/315; D6/698, 702, 656

CPC ..... A47J 2202/00; A47J 27/00; A47J 36/00;  
A47J 36/26; A47J 37/00; A47J 37/04;  
A47J 37/0623; A47J 37/0647; A47J  
37/07; A47J 37/0704; F24B 1/00; F24B  
3/00; F24C 1/00; F24C 15/36; F24C  
3/002; F24C 3/022; A47B 2003/025;  
A47B 2003/0821;

(Continued)

(56) **References Cited**

U.S. PATENT DOCUMENTS

D188,879 S \* 9/1960 Gauss ..... D7/334  
3,297,016 A 1/1967 Rhodes et al.  
4,210,118 A 7/1980 Davis et al.

(Continued)

(57) **CLAIM**

The ornamental design for a grill, as shown and described.

**DESCRIPTION**

FIG. 1 is a perspective view of our new design for a grill in an expanded configuration;

FIG. 2 is a front elevation view thereof;

FIG. 3 is a rear elevation view thereof;

FIG. 4 is a left-side elevation view thereof;

FIG. 5 is a right-side elevation view thereof;

FIG. 6 is a top plan view thereof;

FIG. 7 is a bottom plan view thereof; and

FIG. 8 is a perspective view of our new design for a grill in a collapsed configuration;

FIG. 9 is a front elevation view thereof;

FIG. 10 is a rear elevation view thereof;

FIG. 11 is a left-side elevation view thereof;

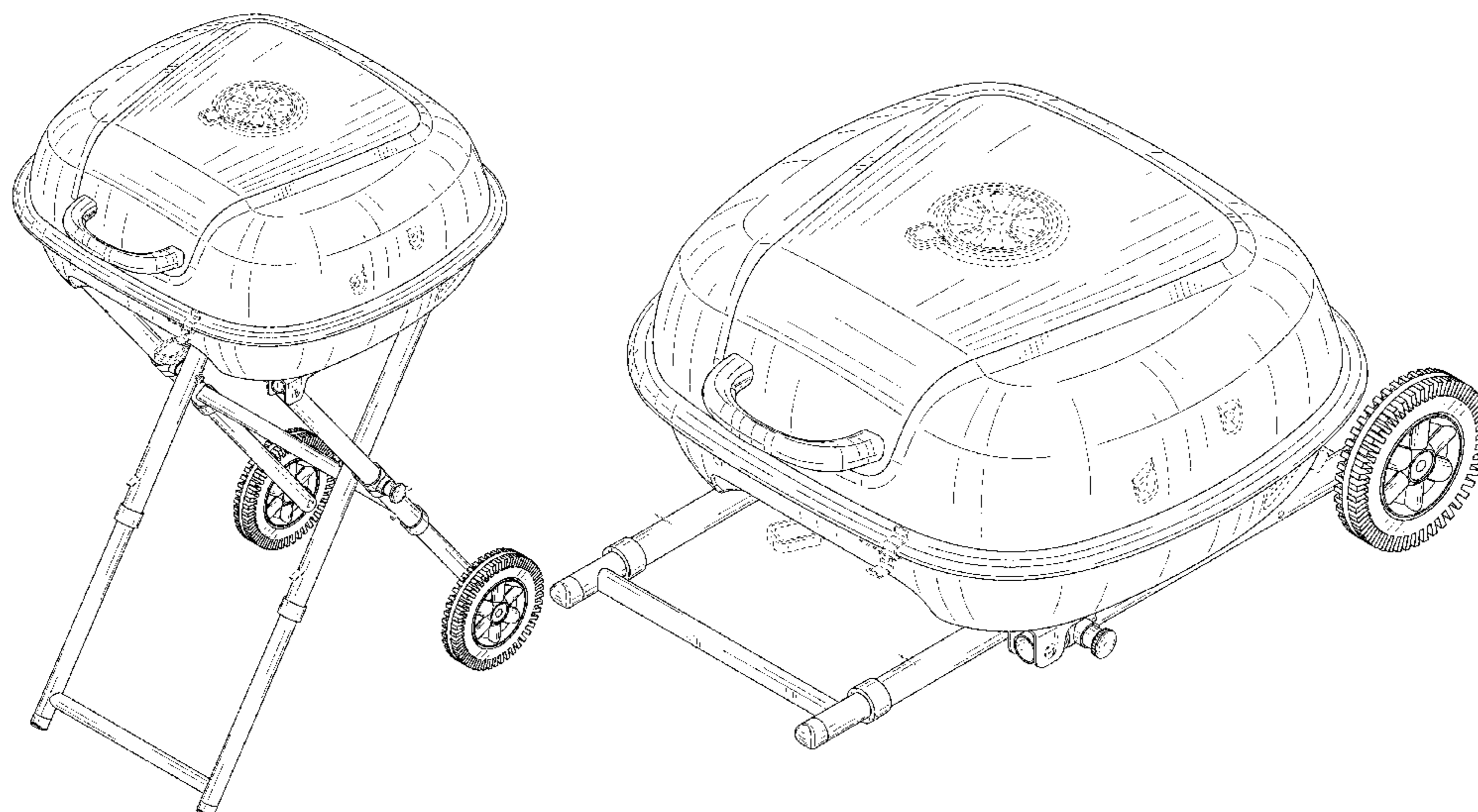
FIG. 12 is a right-side elevation view thereof;

FIG. 13 is a top plan view thereof; and,

FIG. 14 is a bottom plan view thereof.

The broken lines illustrate portions of the grill that form no part of the claimed design.

**1 Claim, 13 Drawing Sheets**



# US D961,984 S

Page 2

(58) **Field of Classification Search**

CPC ..... A47B 2003/0824; A47B 3/02; A47B 3/08;  
A47B 3/087; A47B 3/091; A47B 37/04  
See application file for complete search history.

(56) **References Cited**

U.S. PATENT DOCUMENTS

4,245,850 A 1/1981 Boudreau  
D315,079 S \* 3/1991 Jui-Yen ..... D7/334  
5,163,414 A \* 11/1992 Haynes, Jr. .... A47J 37/0763  
108/119  
6,422,230 B1 7/2002 Stewart et al.  
D480,906 S \* 10/2003 Pai ..... D7/334  
D480,907 S \* 10/2003 Pai ..... D7/334  
6,951,213 B2 10/2005 Coleman et al.  
D516,860 S \* 3/2006 Nipke ..... D7/403  
D623,004 S \* 9/2010 Groth ..... D7/334  
8,316,837 B2 11/2012 Malumyan  
D680,364 S \* 4/2013 Chung ..... D7/334  
D680,796 S \* 4/2013 Chung ..... D7/334  
D718,088 S \* 11/2014 Chung ..... D7/402  
9,096,247 B2 8/2015 Witze et al.  
9,187,108 B2 11/2015 Bruno  
9,226,614 B2 1/2016 Lin  
D792,148 S \* 7/2017 Chung ..... D7/334  
D875,468 S \* 2/2020 Chung ..... D7/403  
D920,044 S \* 5/2021 Chung ..... D7/403  
2004/0182381 A1 \* 9/2004 Yeh ..... A47J 37/0763  
126/25 R  
2005/0252504 A1 11/2005 Cabrera et al.  
2006/0130825 A1 \* 6/2006 Yeh ..... A47J 37/0704  
126/25 R  
2007/0084354 A1 \* 4/2007 Ming ..... A47J 37/0704  
99/450  
2007/0290486 A1 \* 12/2007 Chung ..... A47J 37/0704  
280/645  
2010/0326417 A1 \* 12/2010 Groth ..... A47J 37/0713  
126/25 R

2011/0214662 A1 \* 9/2011 Contarino, Jr. .... A47J 37/0786  
126/25 R  
2011/0271949 A1 \* 11/2011 Ortner ..... A47J 37/0704  
126/25 R  
2012/0174907 A1 \* 7/2012 Yeh ..... A47J 37/0786  
126/25 R  
2013/0206015 A1 \* 8/2013 Jacoby ..... A47J 37/07  
99/330  
2014/0165993 A1 \* 6/2014 Ahmed ..... A47J 37/0704  
126/25 R  
2015/0251678 A1 \* 9/2015 Bruno ..... A47J 37/0704  
280/645  
2016/0106252 A1 4/2016 Baker  
2016/0213198 A1 \* 7/2016 Smith ..... A47J 37/0763  
2017/0321461 A1 \* 11/2017 Chung ..... E05D 3/02  
2021/0038022 A1 \* 2/2021 Gippert ..... A23B 4/052  
2021/0215342 A1 \* 7/2021 Hunt ..... A47J 37/0704  
2021/0298524 A1 \* 9/2021 Williams ..... A47J 37/0786

FOREIGN PATENT DOCUMENTS

EM 000903422-0001 \* 4/2008  
EM 007974985-0014 \* 6/2020  
EM 008034607-0001 \* 7/2020  
GB 2476951 7/2011

OTHER PUBLICATIONS

PKTX [online] URL: <https://www.pkgrills.com/the-original-pktx-grill-smoker-classic-silver/> (site visited: Nov. 10, 2021) (Year: 2019).\*  
Dyna-Glo [online] URL: <https://www.homedepot.com/p/Dyna-Glo-Portable-Charcoal-Grill-in-Black-DGC313CNCP/314037224#overlay> (site visited: Nov. 10, 2021) (Year: 2020).\*  
“Weber 6557 q portable cart for grilling,” available at [https://www.amazon.com/Weber-6557-Portable-CartGrilling/dp/B00FLRB0GK/ref=pd\\_lpo\\_vtph\\_86\\_bs\\_tr\\_img\\_1?encoding=UTF8&psc=1&refRID=PCCAVM3WYXYCKFCBRVH5](https://www.amazon.com/Weber-6557-Portable-CartGrilling/dp/B00FLRB0GK/ref=pd_lpo_vtph_86_bs_tr_img_1?encoding=UTF8&psc=1&refRID=PCCAVM3WYXYCKFCBRVH5) Published/Accessed: Jan. 24, 2018.

\* cited by examiner



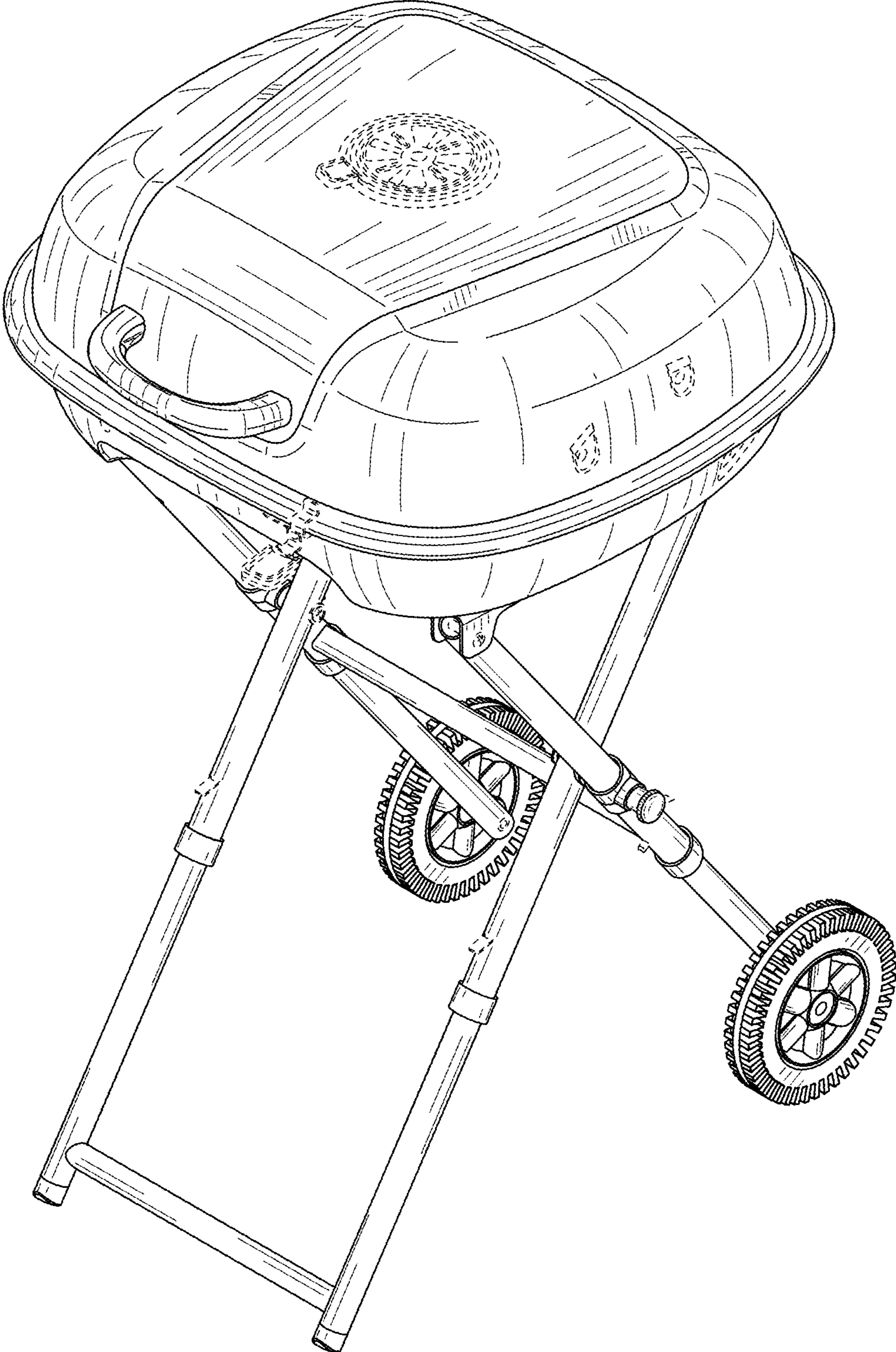


FIG. 1

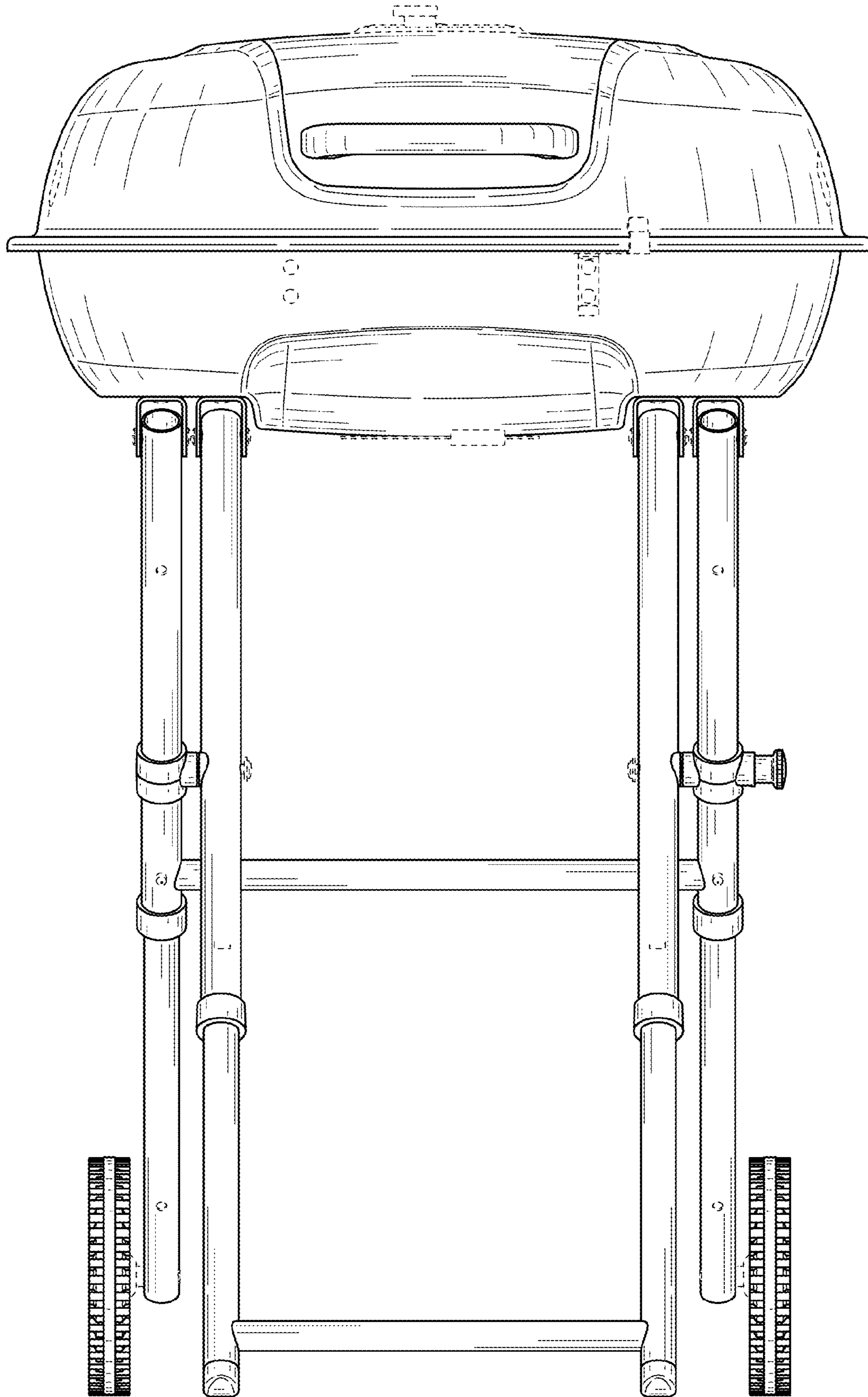


FIG. 2

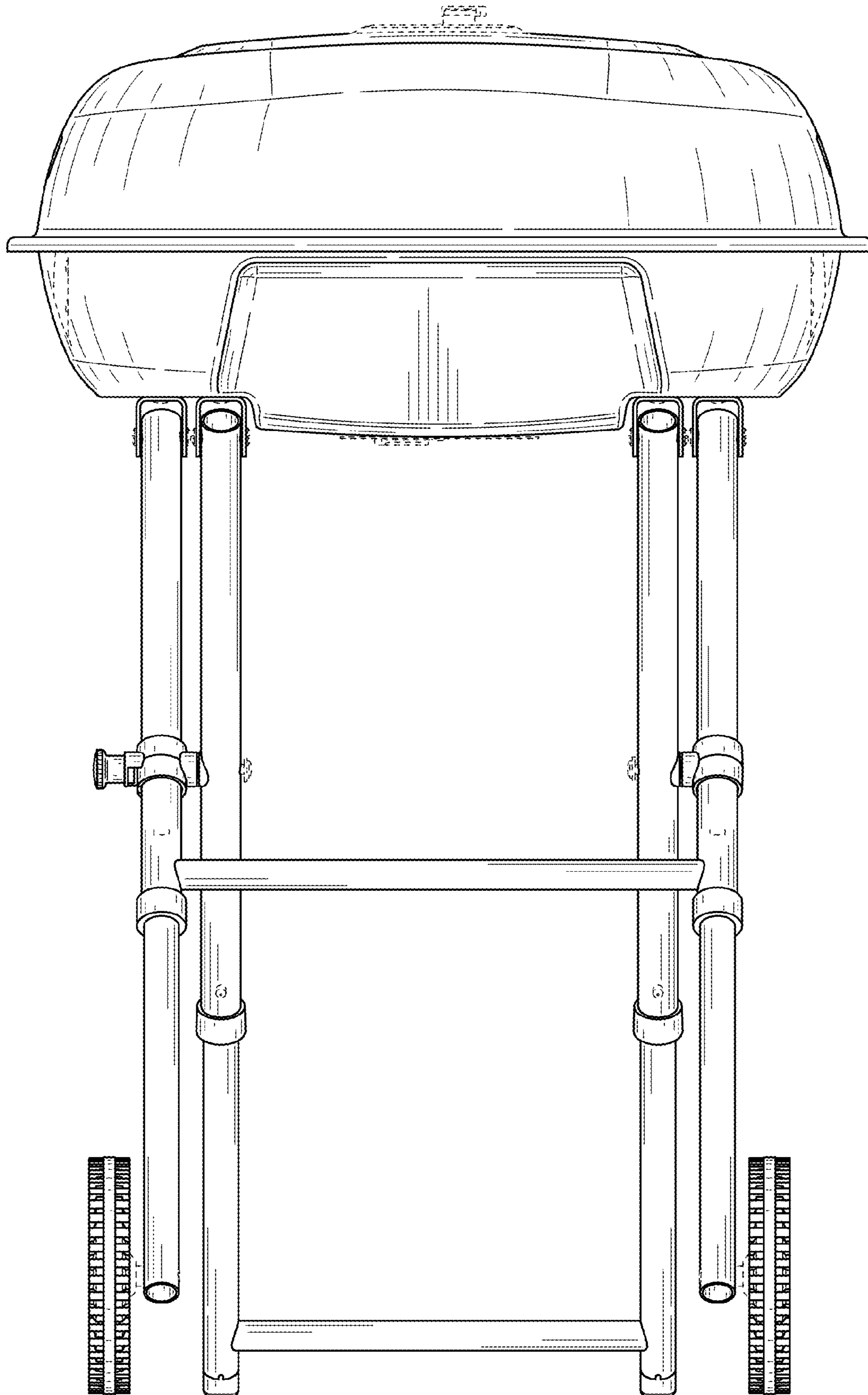


FIG. 3



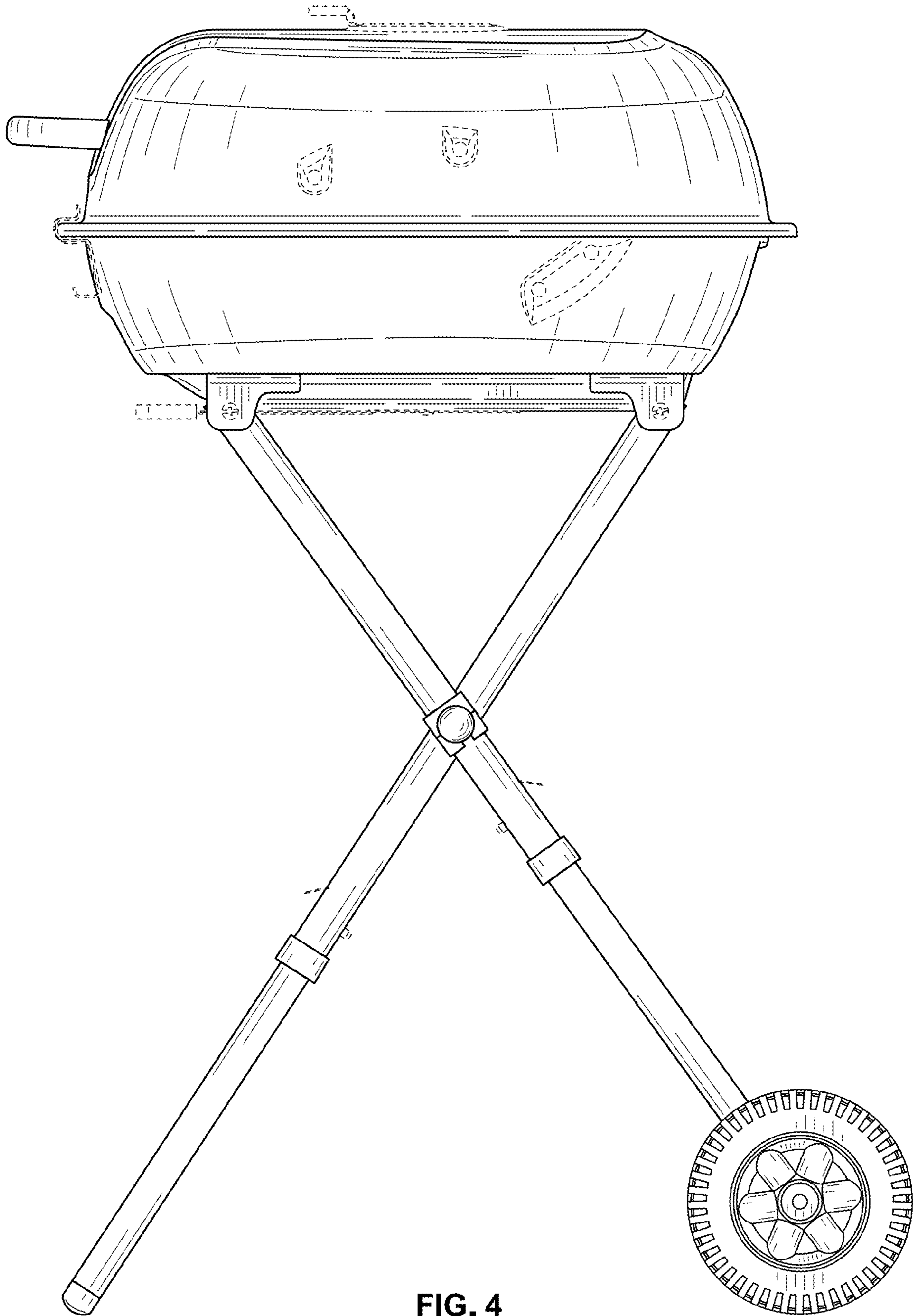


FIG. 4

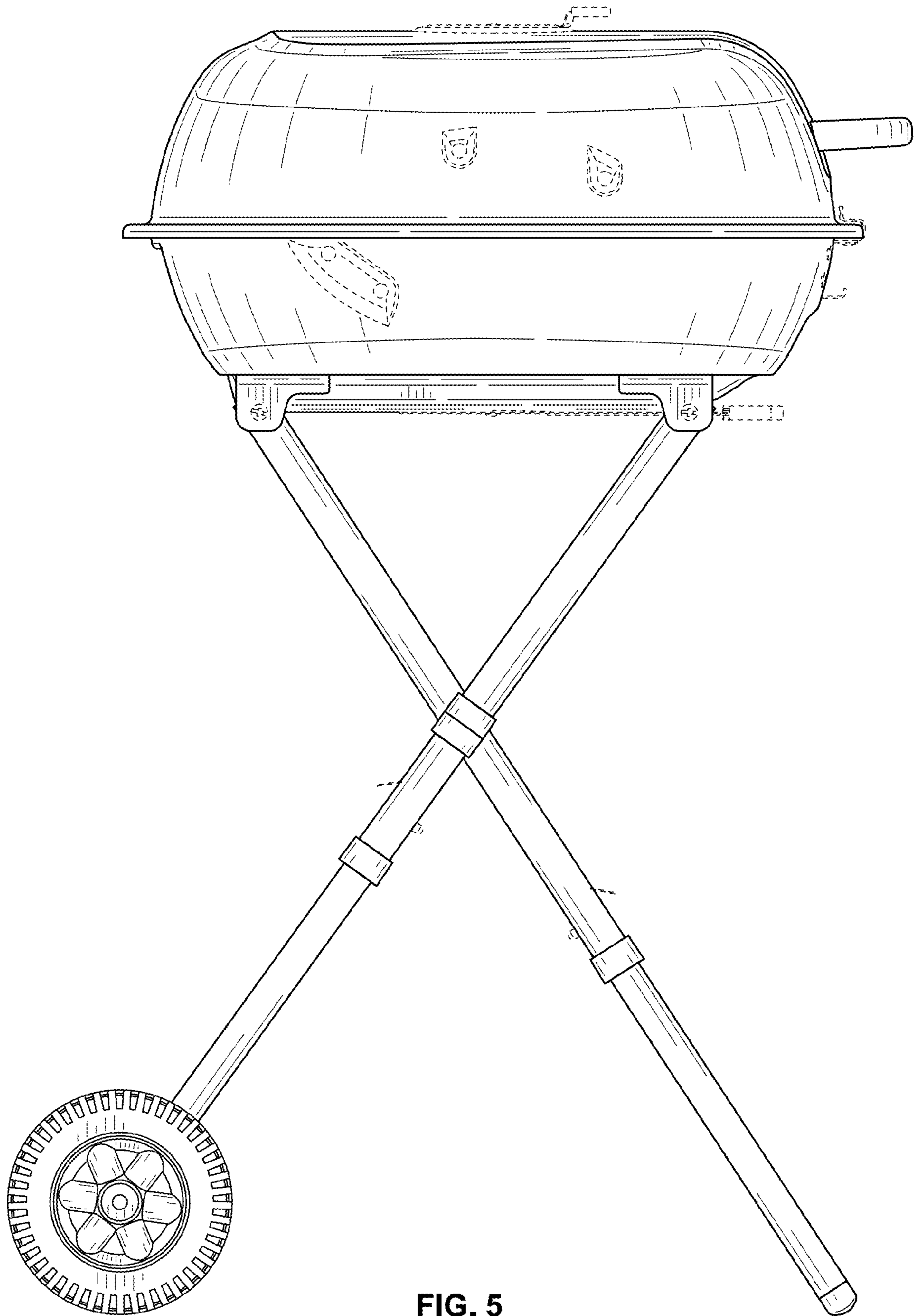


FIG. 5

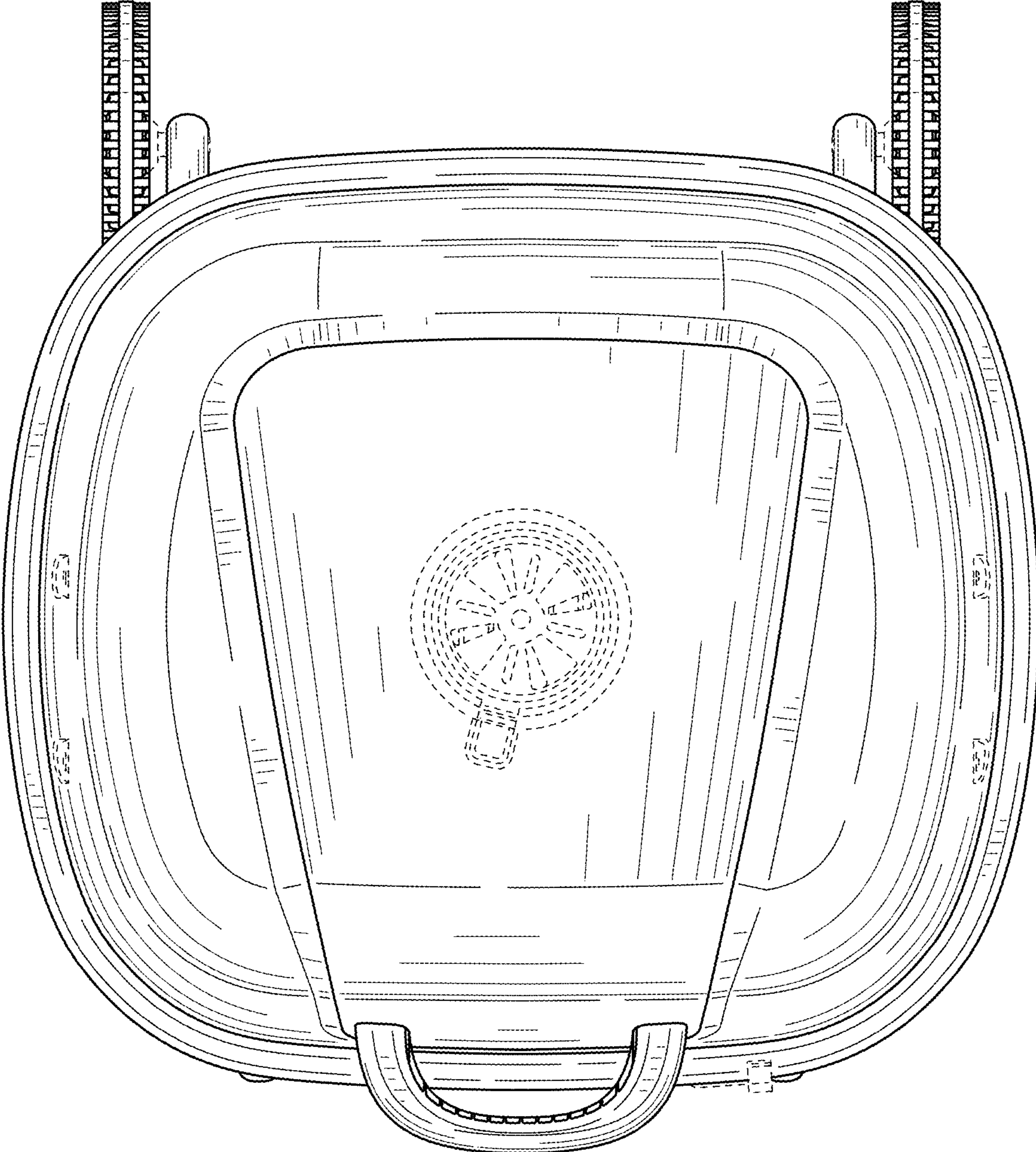


FIG. 6



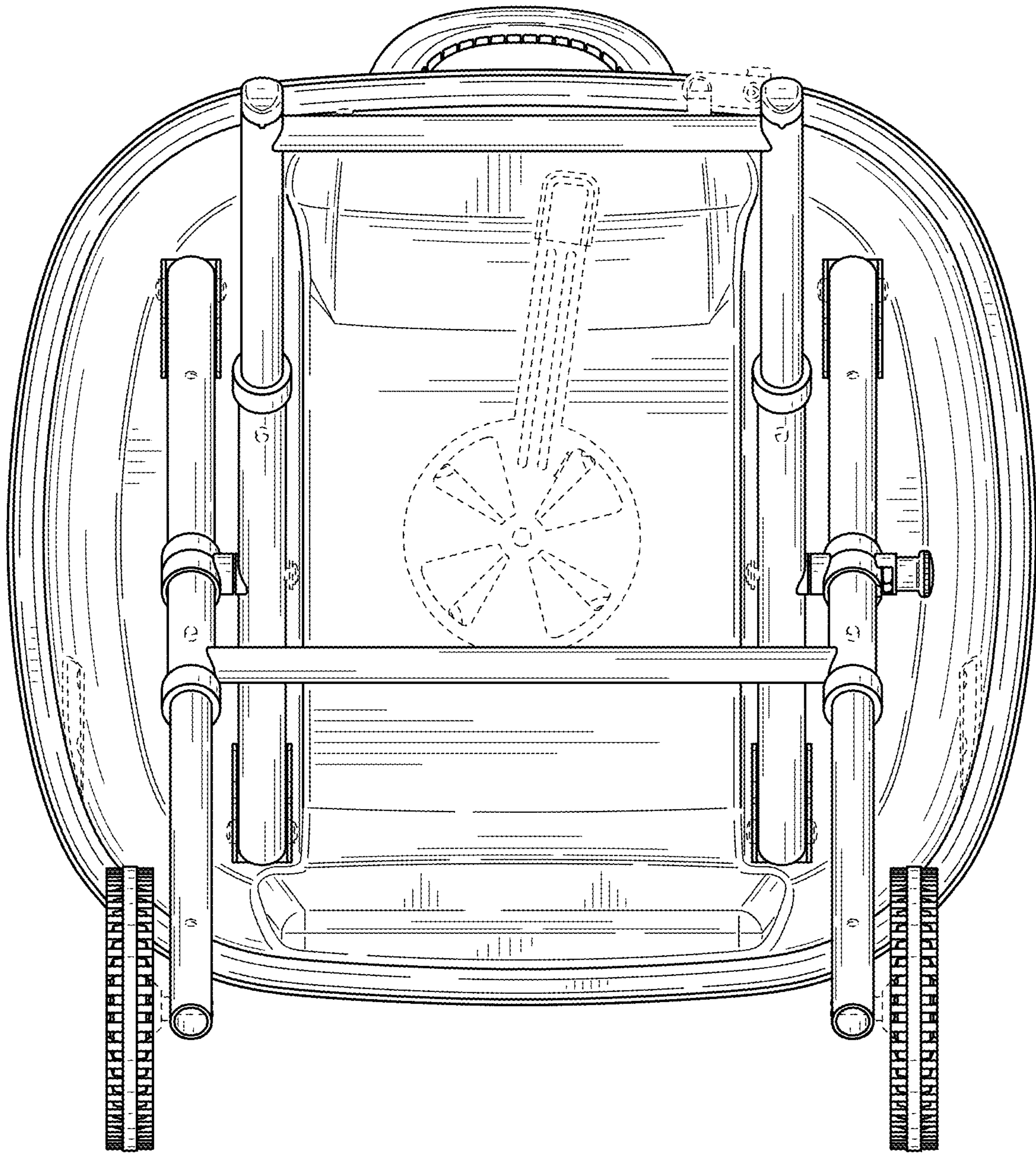


FIG. 7

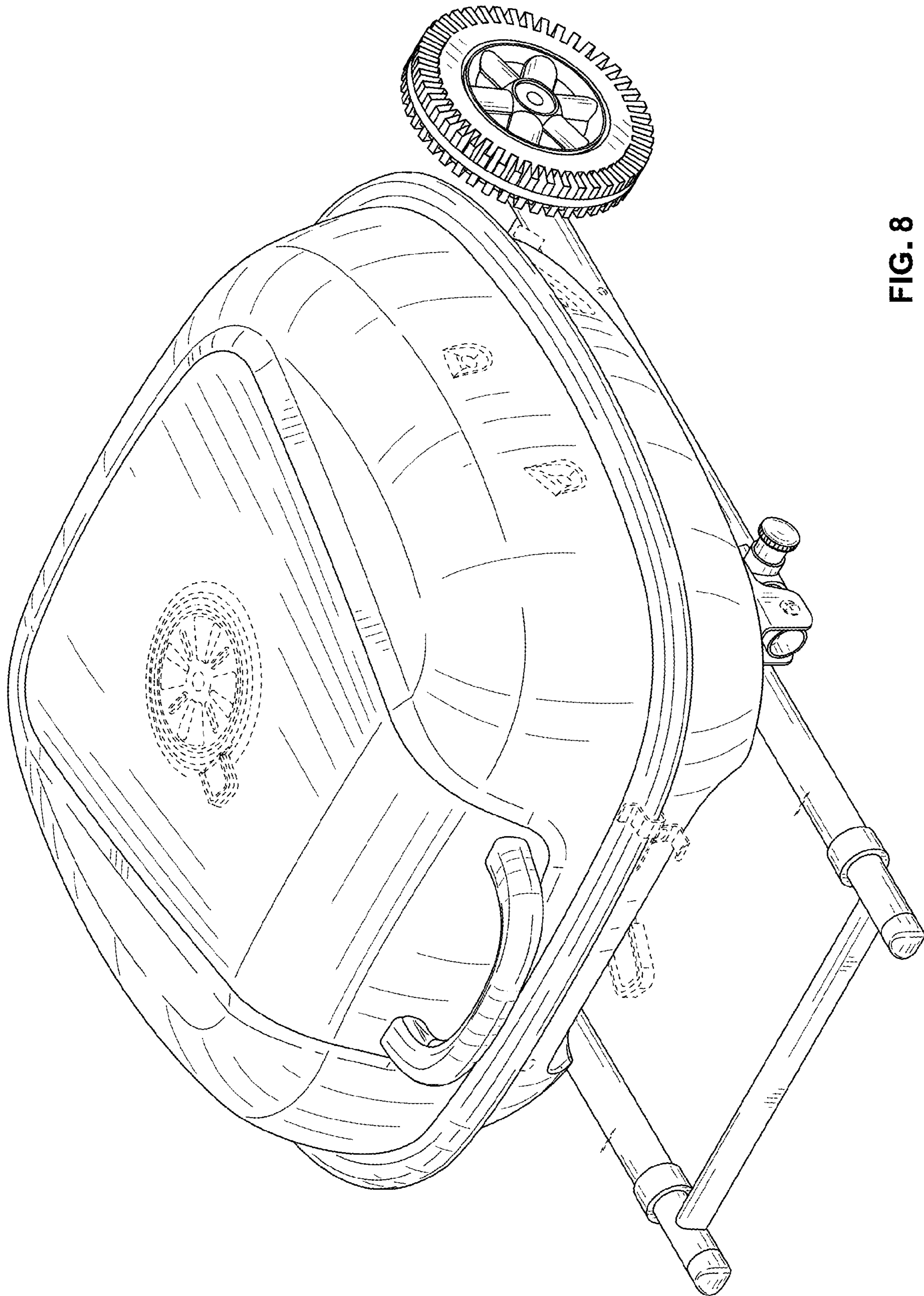


FIG. 8

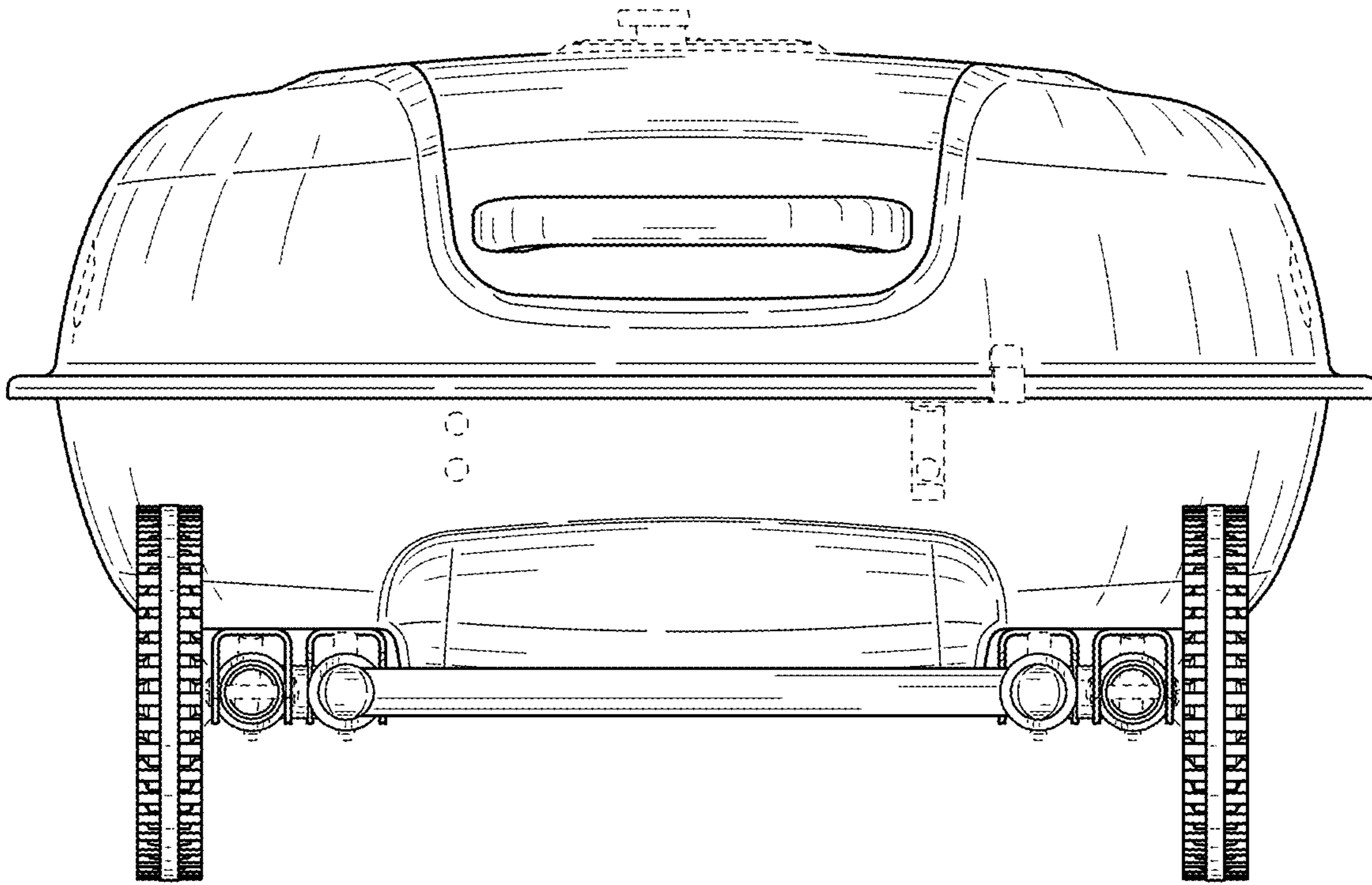


FIG. 9

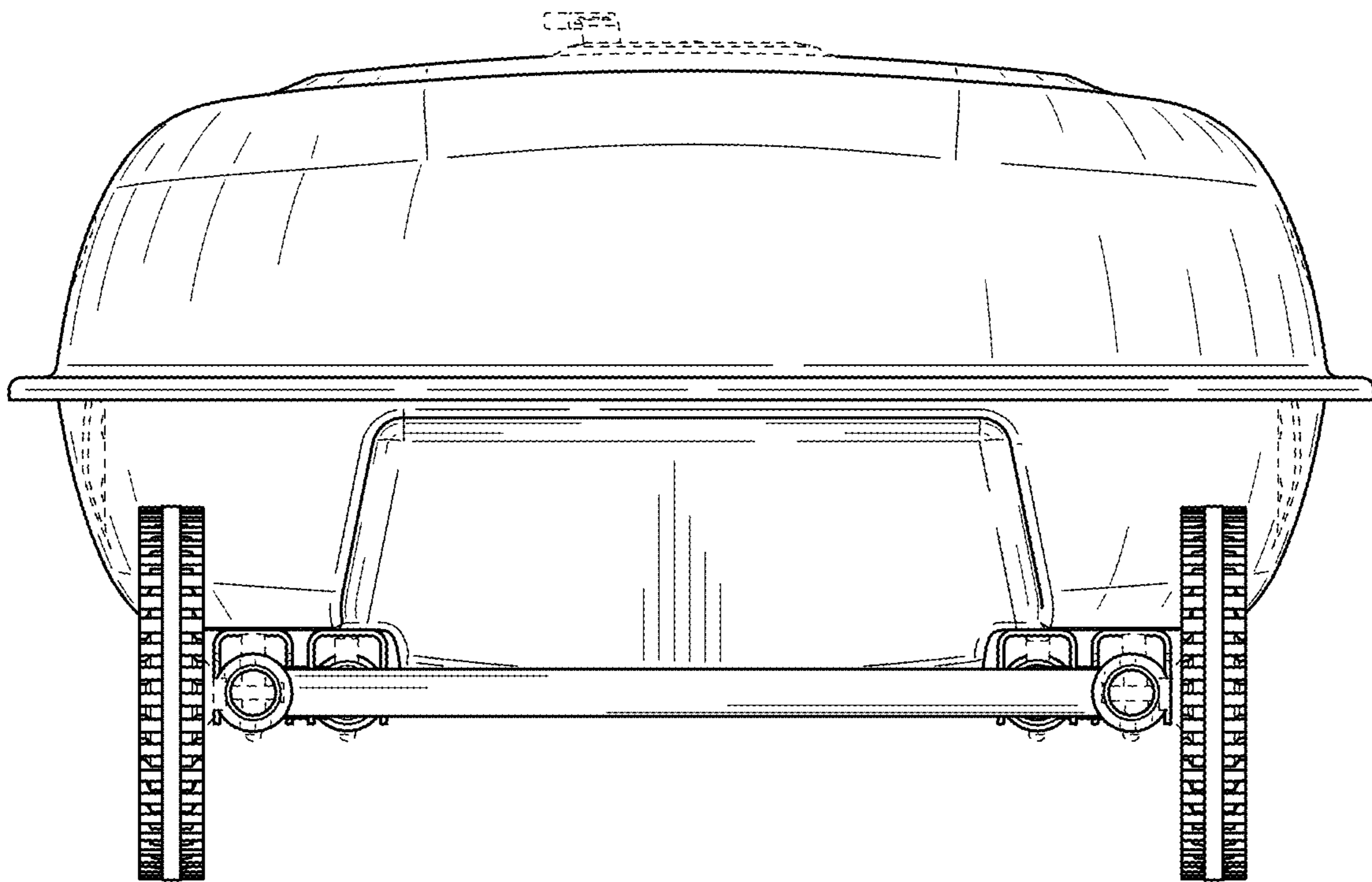


FIG. 10



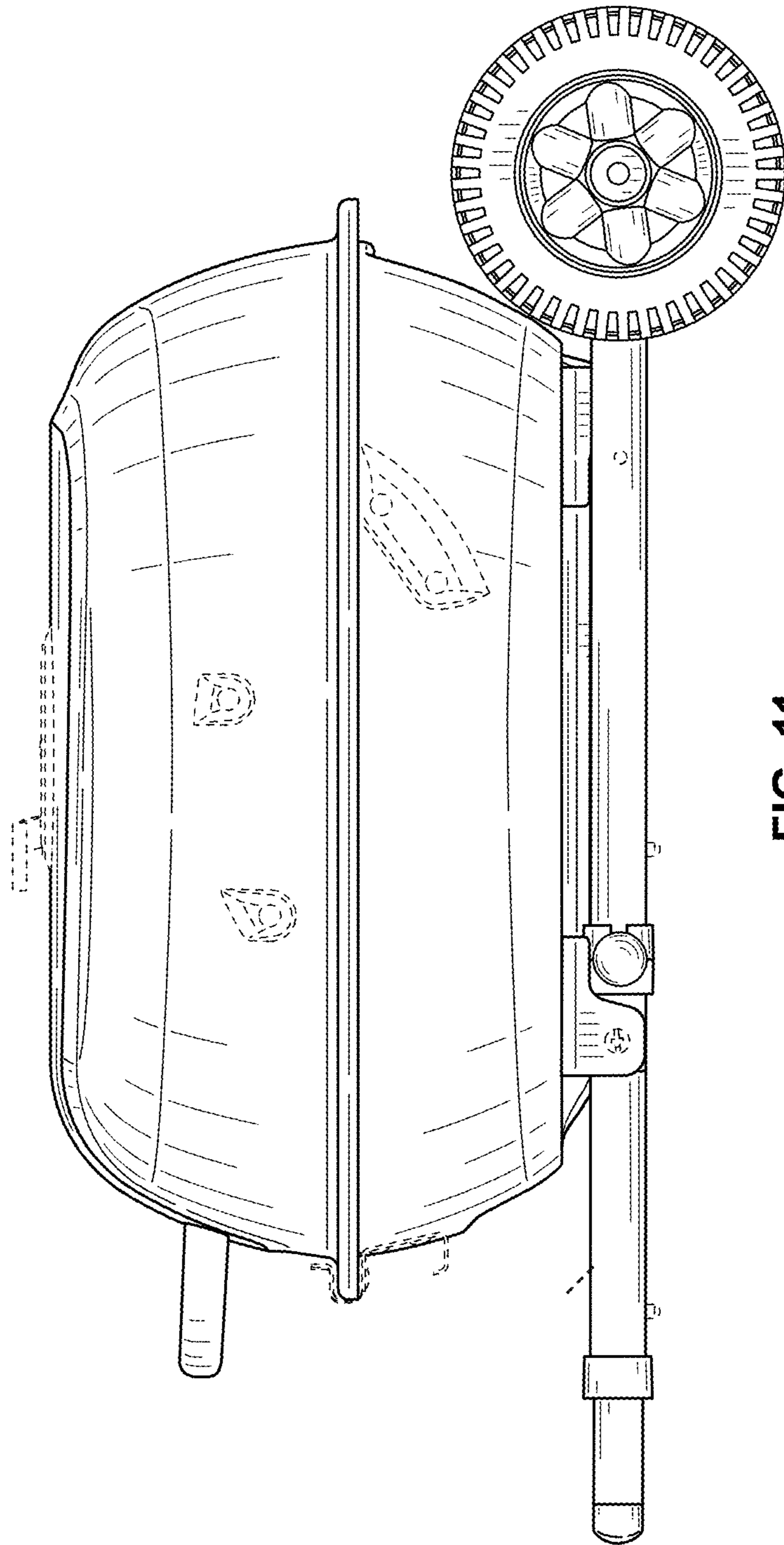


FIG. 11

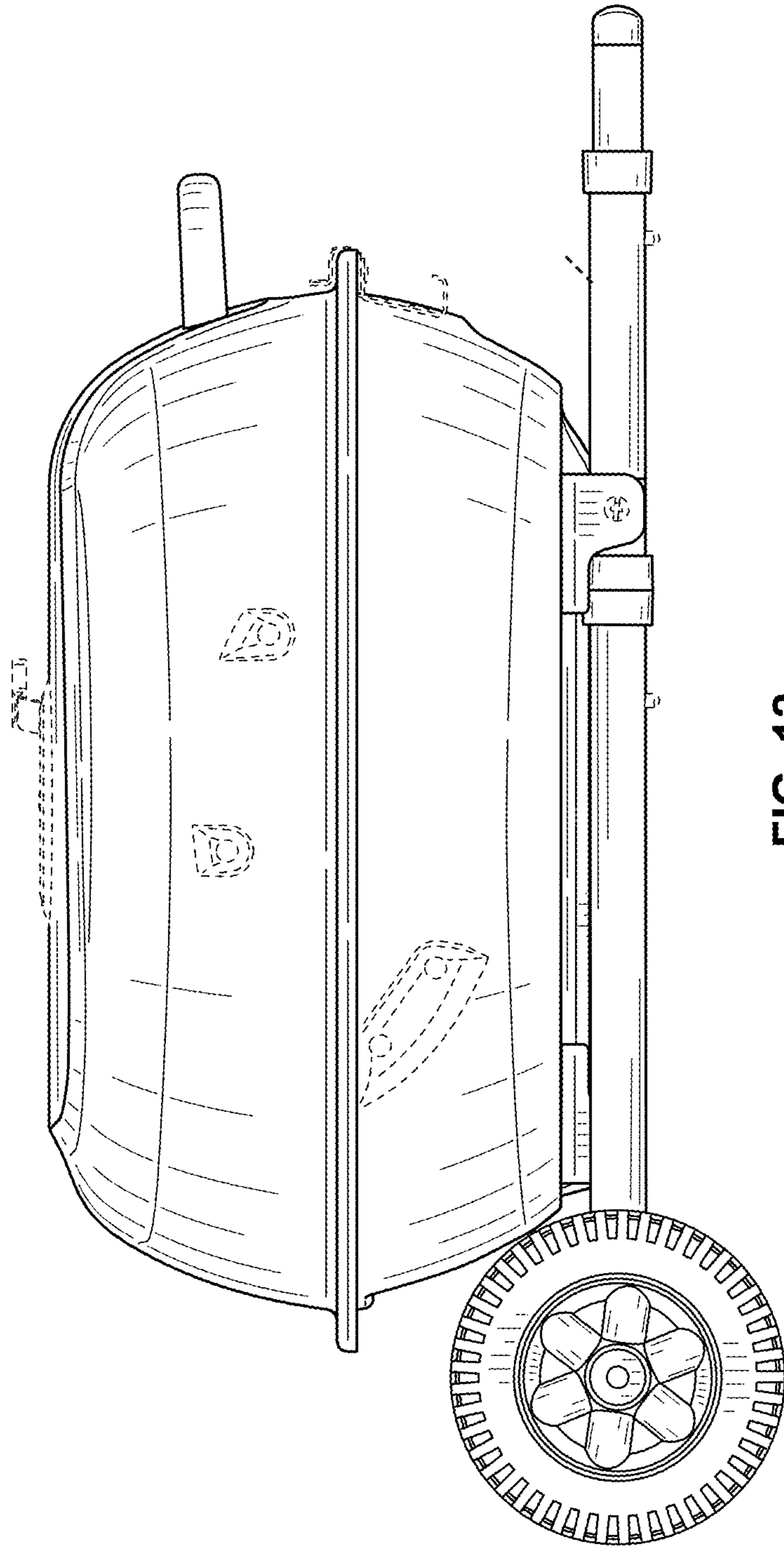


FIG. 12

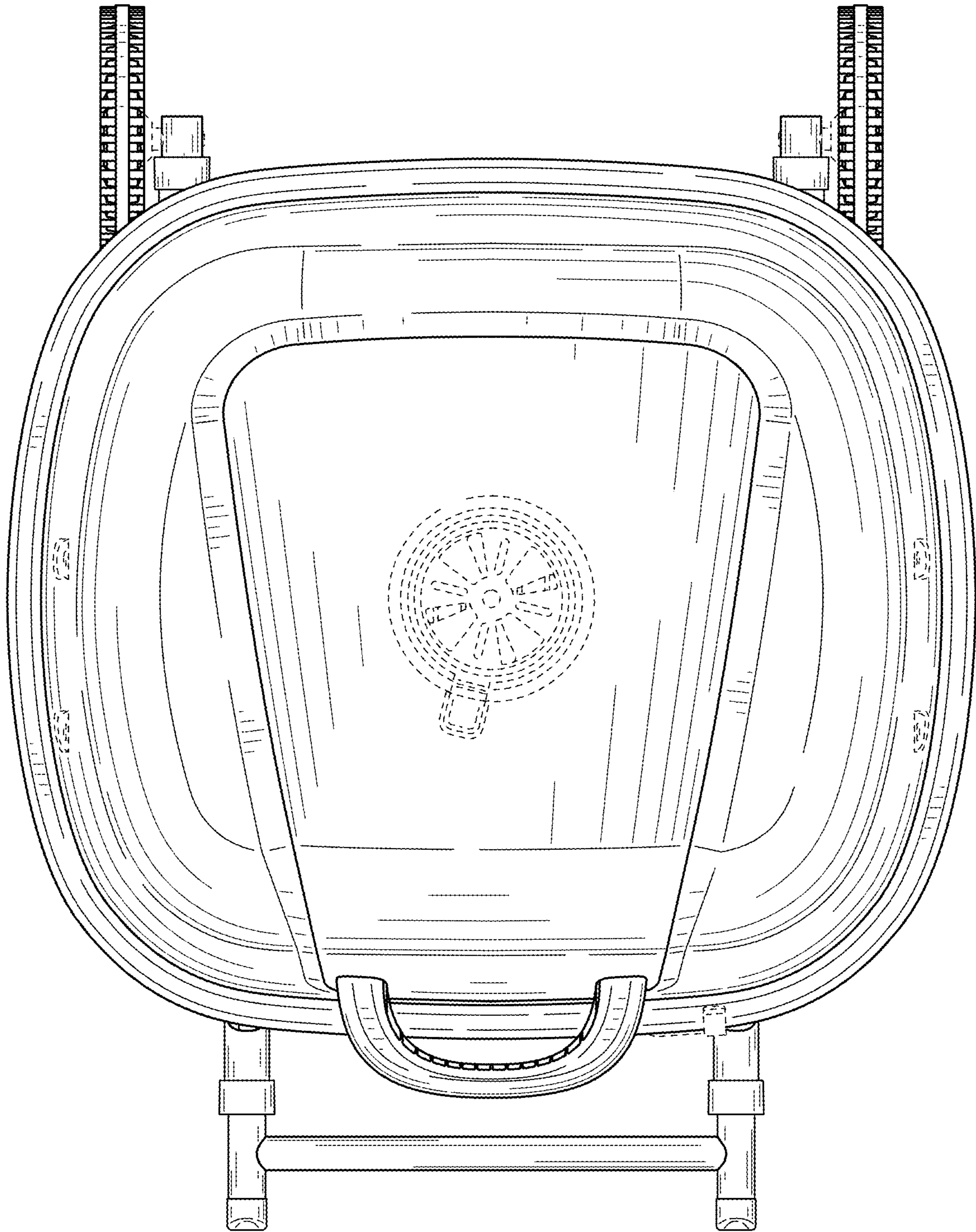


FIG. 13



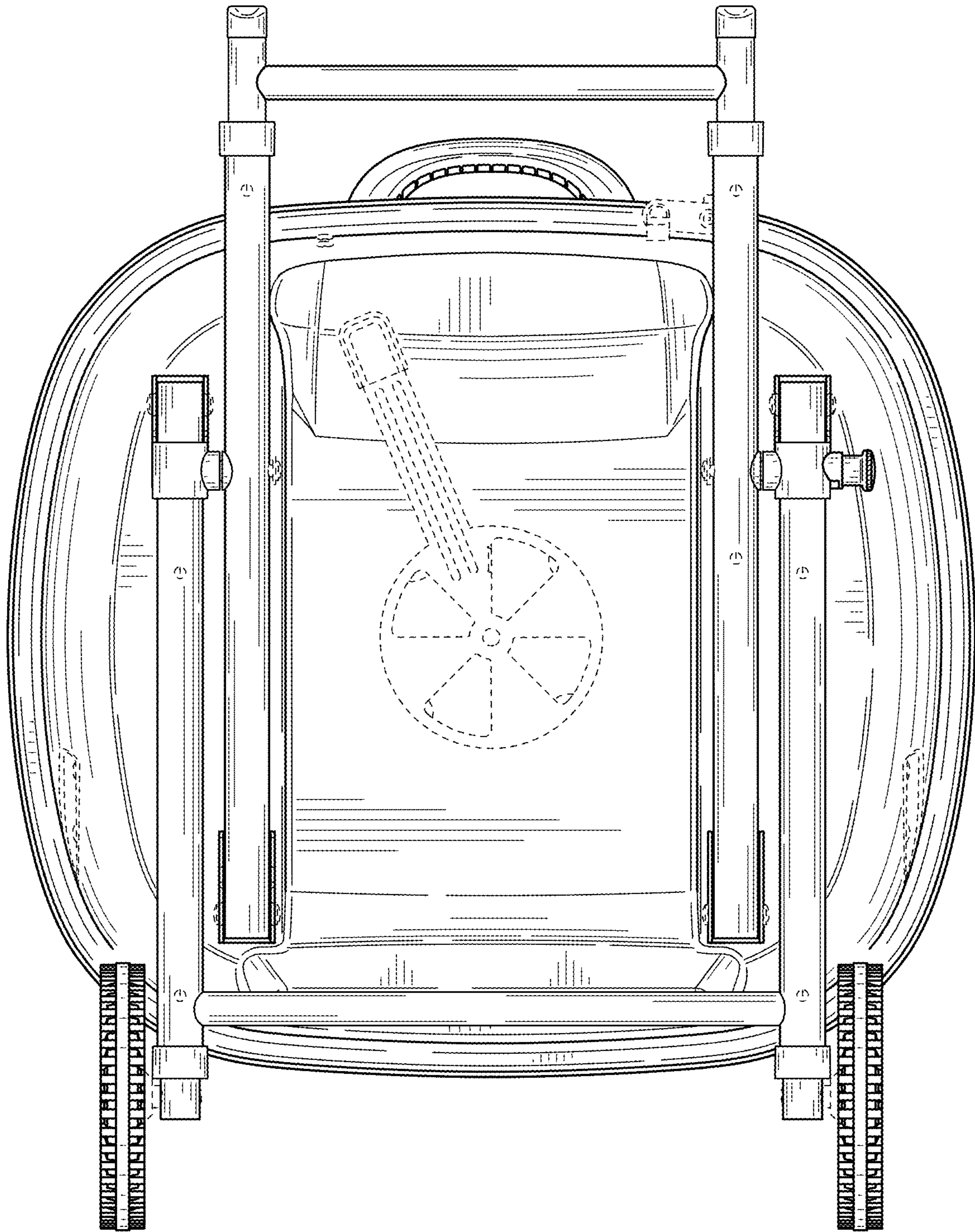


FIG. 14