



US00D961983S

(12) **United States Design Patent** (10) **Patent No.:** **US D961,983 S**
Sillett et al. (45) **Date of Patent:** **** Aug. 30, 2022**

(54) **TOASTER**

(71) Applicant: **The Funky Appliance Company Limited**, London (GB)

(72) Inventors: **Jonathan Mark Sillett**, London (GB); **Sadie Sillett**, London (GB)

(**) Term: **15 Years**

(21) Appl. No.: **35/511,016**

(22) Filed: **Nov. 18, 2020**

(80) **Hague Agreement Data**
 Int. Filing Date: **Nov. 18, 2020**
 Int. Reg. No.: **DM/211679**
 Int. Reg. Date: **Nov. 18, 2020**
 Int. Reg. Pub. Date: **Dec. 25, 2020**

(51) **LOC (13) Cl.** **07-02**

(52) **U.S. Cl.**
 USPC **D7/330**

(58) **Field of Classification Search**
 USPC D7/213, 323, 330, 337, 340, 348, 350.3, D7/354, 357, 362, 368, 400, 401.1, 401.2, D7/402, 510, 511, 523, 533, 536, 566, D7/600, 600.1, 602, 609, 624.1, 638, 672, D7/701; D6/512, 522, 561, 571, 572, D6/573, 661, 661.2, 602, 663, 671, 672, D6/675, 681.2, 683.1; D32/58
 CPC ... A47G 1/20; A47J 31/44; A47J 31/52; A47J 43/04; A47J 43/44
 See application file for complete search history.

(56) **References Cited**

U.S. PATENT DOCUMENTS

D115,630 S * 7/1939 Pavelka, Jr. et al. D7/330
 D118,511 S * 1/1940 Reinecke et al. D7/330
 D124,059 S * 12/1940 Christenson, Jr. et al. ... D7/330
 D143,741 S * 2/1946 Lorenz D7/330

D149,937 S * 6/1948 Dailey D7/330
 D150,134 S * 7/1948 Guild D7/330
 D155,128 S * 9/1949 Cox et al. D7/330
 D156,153 S * 11/1949 Olson et al. D7/330
 D157,109 S * 1/1950 Waltman D7/330
 D161,265 S * 12/1950 Jepson et al. D7/330
 D161,266 S * 12/1950 Jepson et al. D7/330
 2,567,075 A * 9/1951 Lindberg A47J 37/0814
 307/141.8
 D185,076 S * 5/1959 Earnest et al. D7/330
 D384,542 S * 10/1997 Pena Angarita D7/330
 D386,352 S * 11/1997 Mandell D7/330
 D424,861 S * 5/2000 Hughes D7/330
 D434,264 S * 11/2000 Mixides D7/330
 D473,093 S * 4/2003 To D7/330
 D511,923 S * 11/2005 Wu D7/330
 D524,090 S * 7/2006 Wise D7/330
 D593,358 S * 6/2009 Kim D7/330
 D664,800 S * 8/2012 Gregory D7/330
 D730,676 S * 6/2015 Palmer D7/330
 D746,093 S * 12/2015 Bazzicalupo D7/330
 D758,780 S * 6/2016 Affatato D7/330
 D876,872 S * 3/2020 Bazzicalupo D7/330
 D879,537 S * 3/2020 Powell D7/330
 D906,752 S * 1/2021 Gort-Barten A47J 37/00
 D7/330

(Continued)

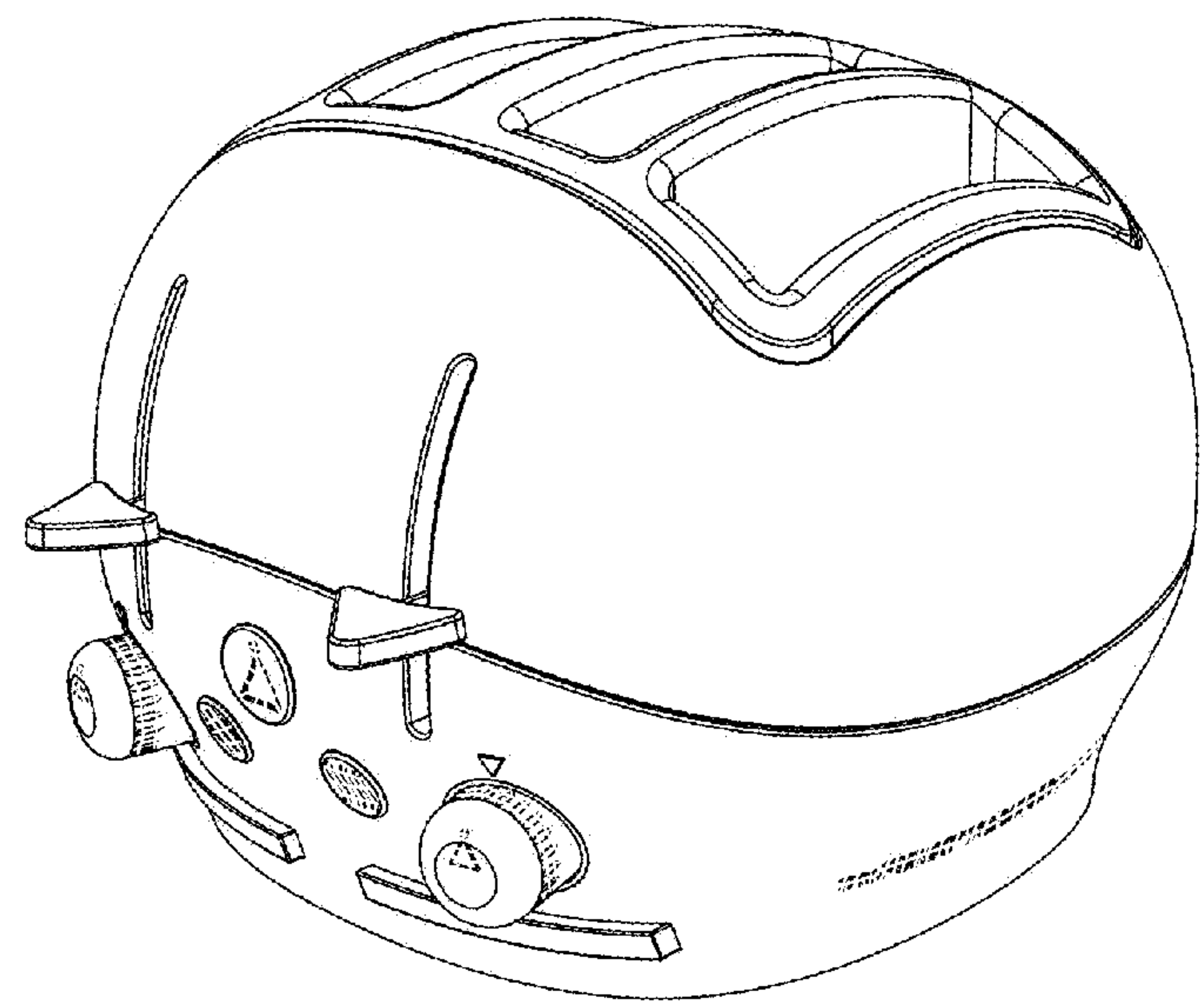
Primary Examiner — Karen S Acker

(57) **CLAIM**
 The ornamental design for a toaster, as shown and described.

DESCRIPTION

1. Toaster
 1.1: perspective
 1.2: front
 1.3: rear
 1.4: first side
 1.5: second, opposite side
 1.6: top
 The broken lines in the figures depict portions of the toaster that form no part of the claimed design.

1 Claim, 6 Drawing Sheets



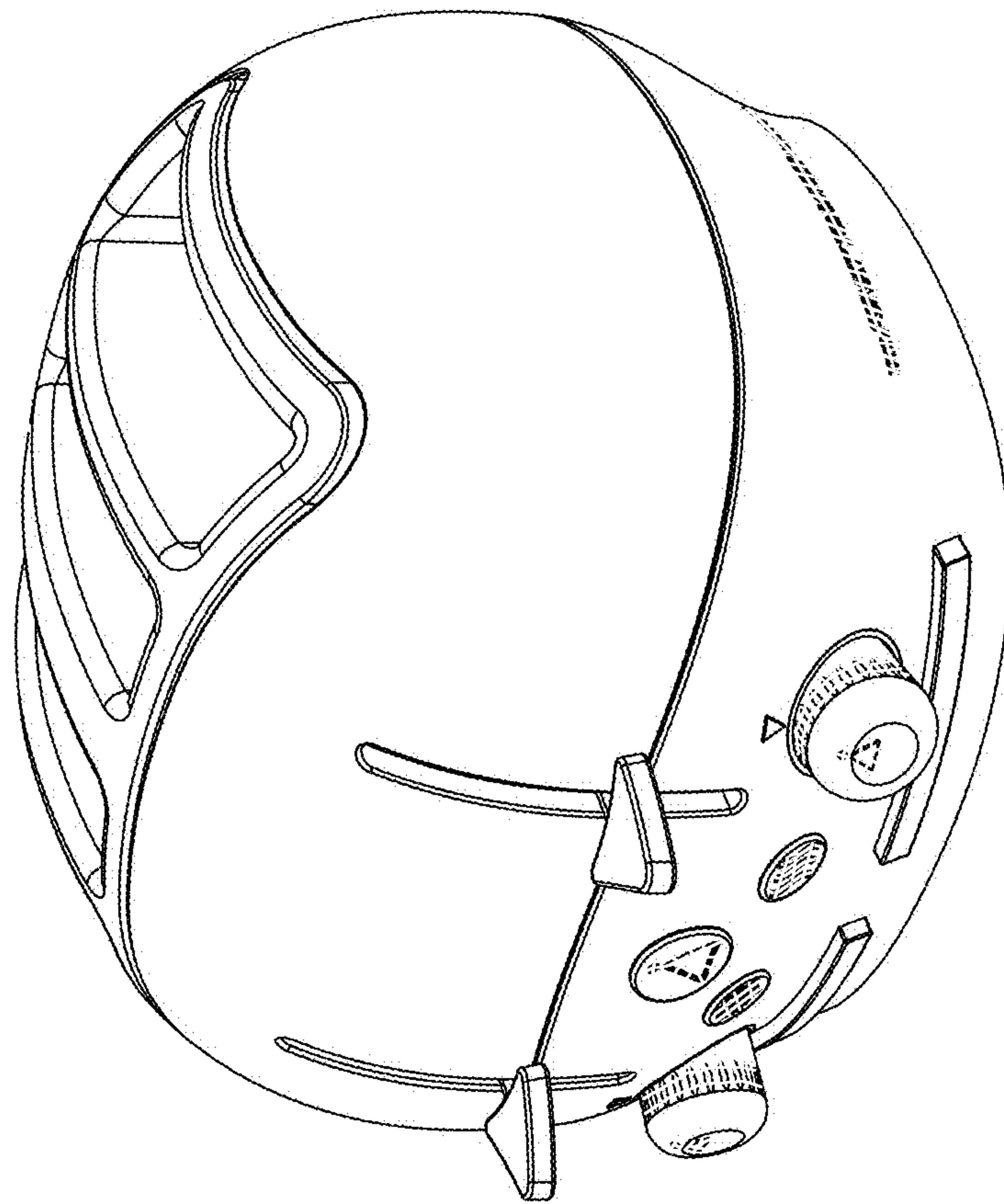
(56)

References Cited

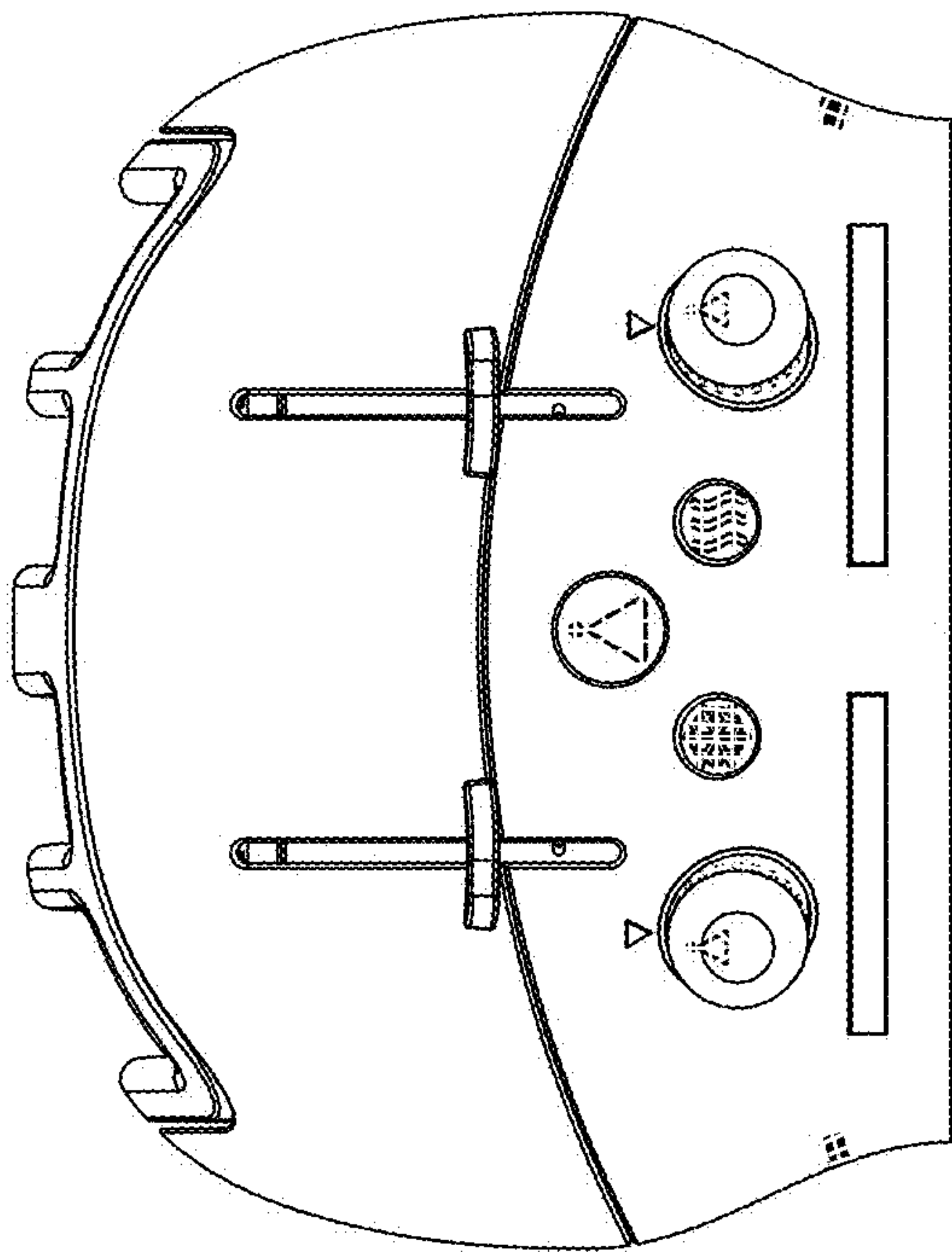
U.S. PATENT DOCUMENTS

D932,821 S * 10/2021 Wu D7/330
D937,029 S * 11/2021 Bock D7/330

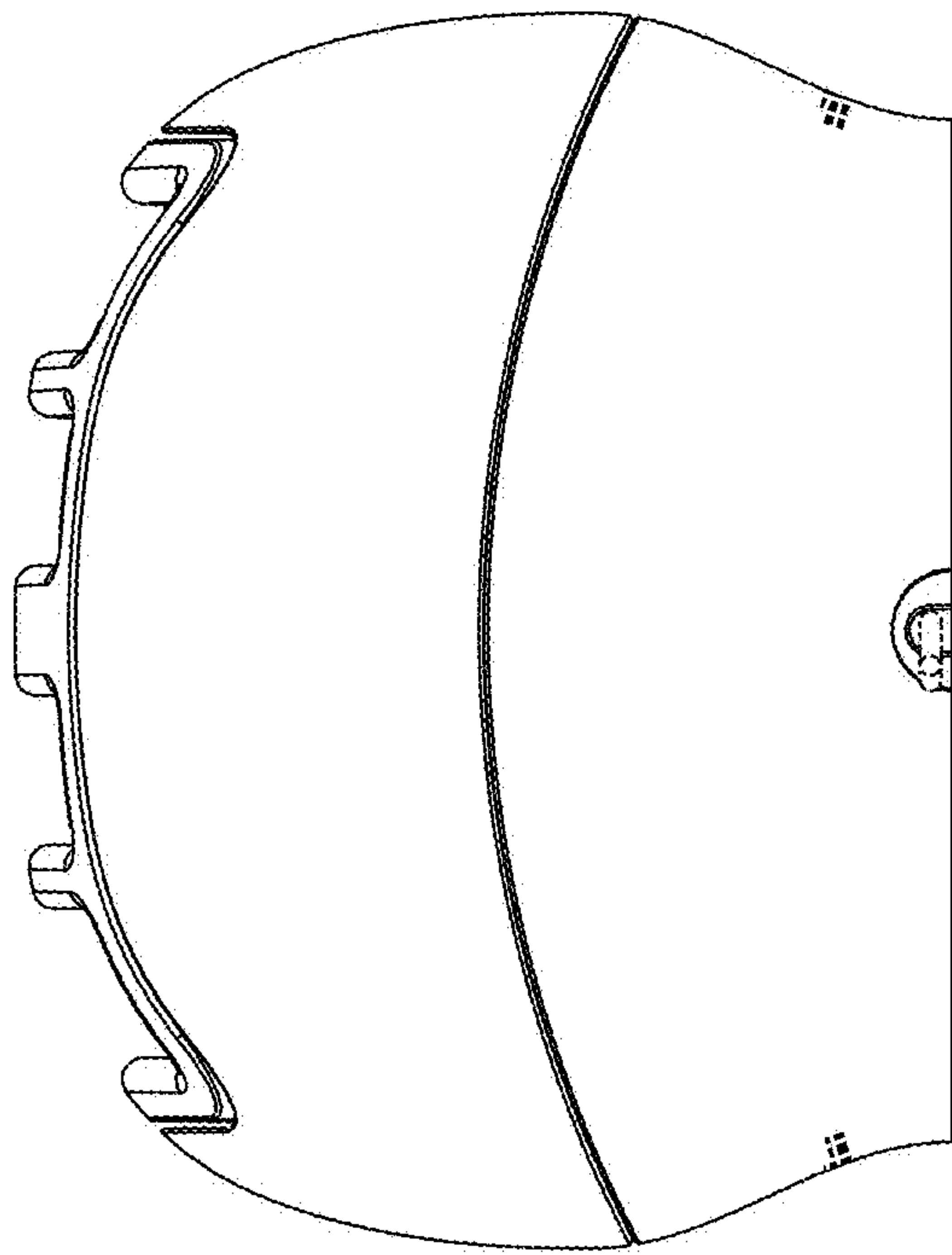
* cited by examiner



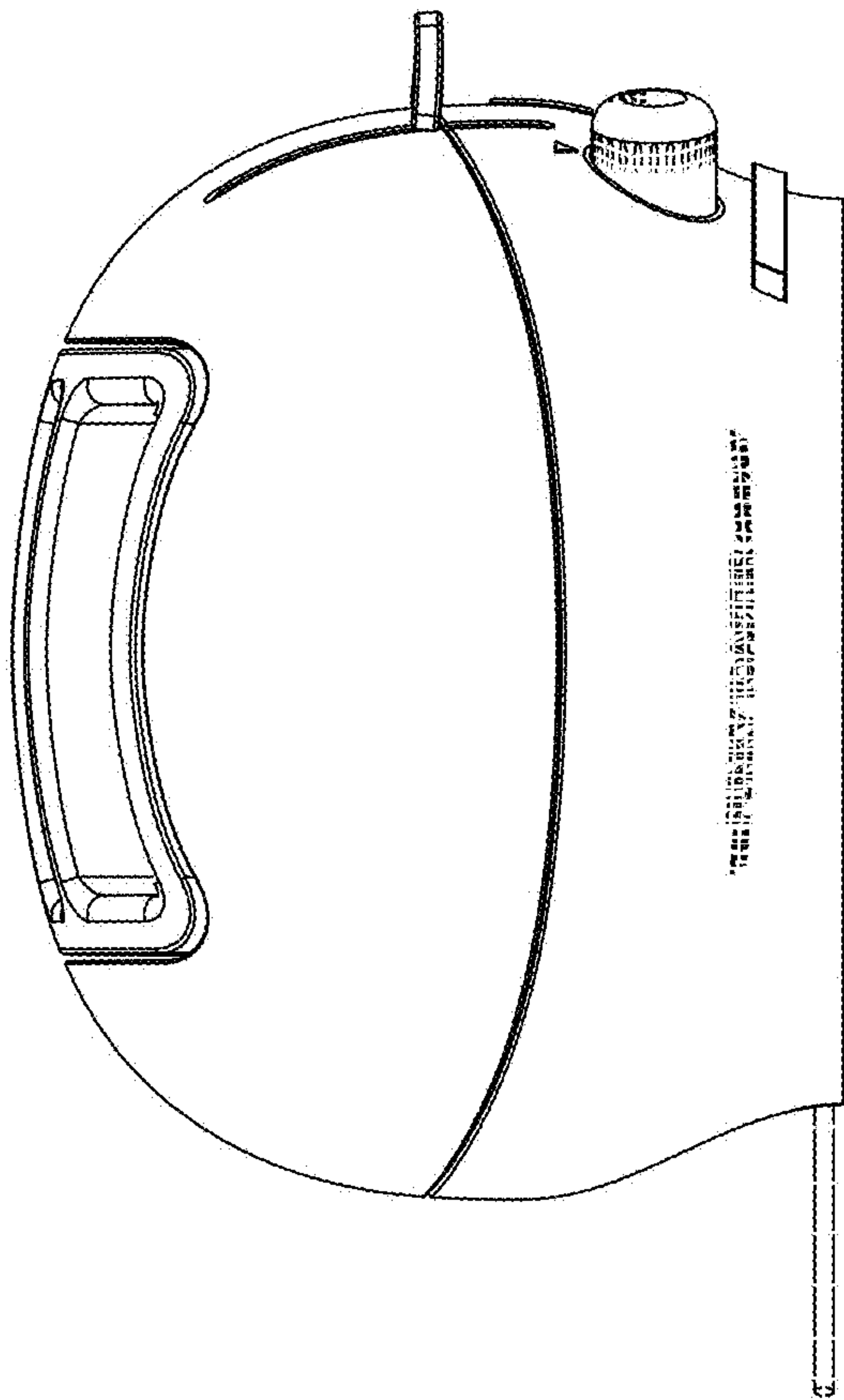
1.1



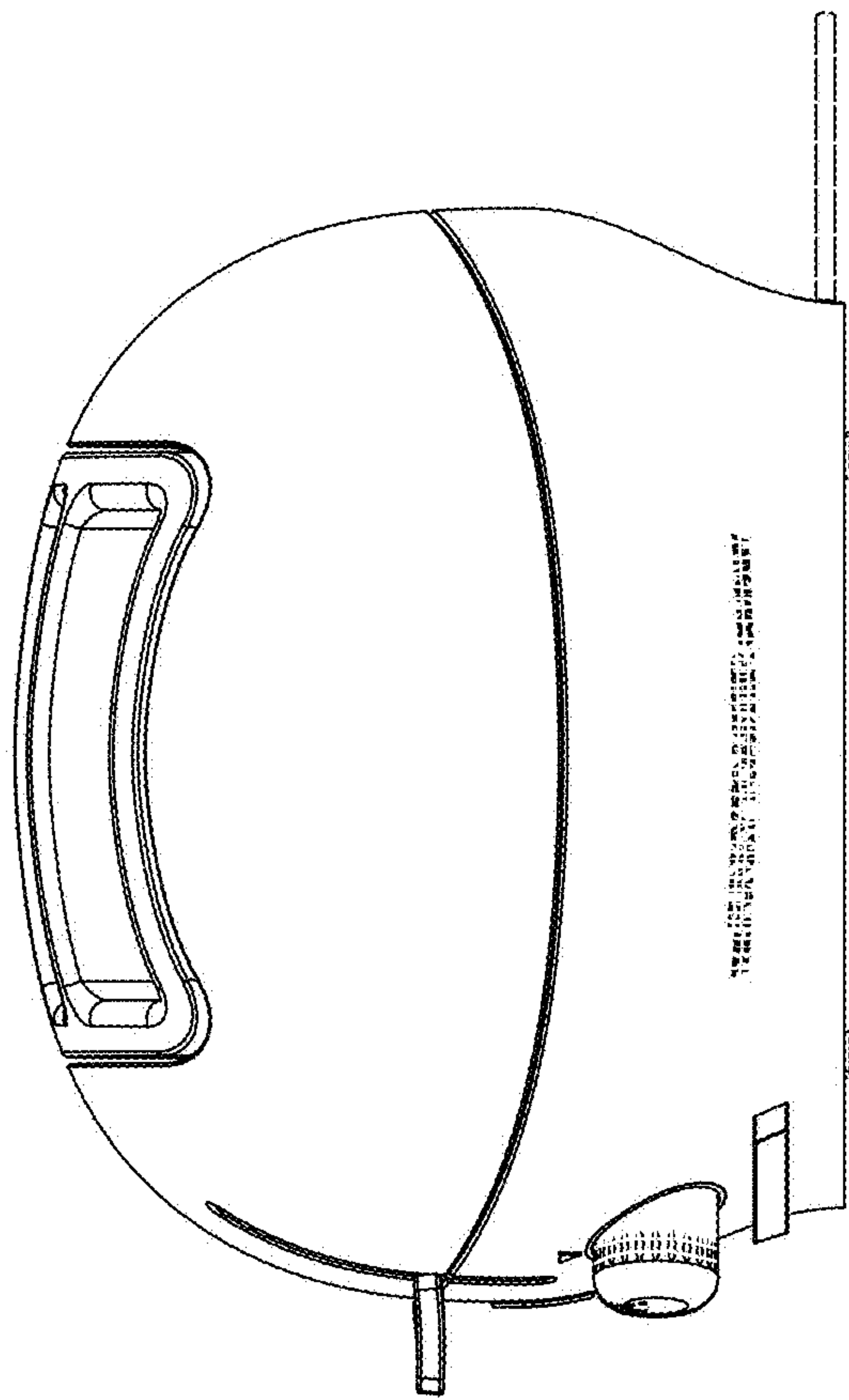
1.2



1.3



1.4



1.5

1.6

