



US00D961982S

(12) **United States Design Patent** (10) **Patent No.:** **US D961,982 S**  
**Guo** (45) **Date of Patent:** **\*\* \*Aug. 30, 2022**

(54) **FOLDABLE ELECTRIC KETTLE**

Silicone-Foldable-Temperature-Protection/dp/B09GM2G8R8 (Year: 2018).\*

(71) Applicant: **Ning Guo**, Huizhou (CN)

(Continued)

(72) Inventor: **Ning Guo**, Huizhou (CN)

*Primary Examiner* — Joseph Kukella  
*Assistant Examiner* — Arva P Adams

(\*) Notice: This patent is subject to a terminal disclaimer.

(57) **CLAIM**

(\*\*) Term: **15 Years**

The ornamental design for a foldable electric kettle, as shown and described.

(21) Appl. No.: **29/766,996**

**DESCRIPTION**

(22) Filed: **Jan. 20, 2021**

(30) **Foreign Application Priority Data**

Sep. 21, 2020 (CN) ..... 202030561681.5

(51) **LOC (13) Cl.** ..... **07-01**

(52) **U.S. Cl.**  
USPC ..... **D7/320; D7/318**

(58) **Field of Classification Search**  
USPC ..... D7/301–303, 305, 310–322, 396.6,  
D7/397–400, 589–590, 619.1, 619.2,  
D7/620–623, 667

(Continued)

(56) **References Cited**

**U.S. PATENT DOCUMENTS**

D362,371 S \* 9/1995 Williams ..... D7/622  
D388,653 S \* 1/1998 Hsu ..... D7/302

(Continued)

**FOREIGN PATENT DOCUMENTS**

CN 302034351 \* 8/2012  
CN 302952410 \* 10/2014

(Continued)

**OTHER PUBLICATIONS**

US Sport, "Ultrathin Food Grade Silicone Travel Foldable Electric Kettle," Jul. 31, 2018, Amazon.com, www.amazon.com/Ultrathin-

FIG. 1 is a top, front, right perspective view of a first embodiment of a foldable electric kettle showing my new design;

FIG. 2 is a bottom, rear, left perspective view thereof;

FIG. 3 is a front elevational view thereof;

FIG. 4 is a rear elevational view thereof;

FIG. 5 is a left side elevational view thereof;

FIG. 6 is a right side elevational view thereof;

FIG. 7 is a top plan view thereof;

FIG. 8 is a bottom plan view thereof;

FIG. 9 is an exploded top, front, right perspective view of the foldable electric kettle of FIG. 1;

FIG. 10 is a top, front, right perspective view of the foldable electric kettle of FIG. 1, where the foldable electric kettle is in a folded state;

FIG. 11 is a top, front, right perspective view of a second embodiment of the foldable electric kettle showing my new design;

FIG. 12 is a bottom, rear, left perspective view thereof;

FIG. 13 is a front elevational view thereof;

FIG. 14 is a rear elevational view thereof;

FIG. 15 is a left side elevational view thereof;

FIG. 16 is a right side elevational view thereof;

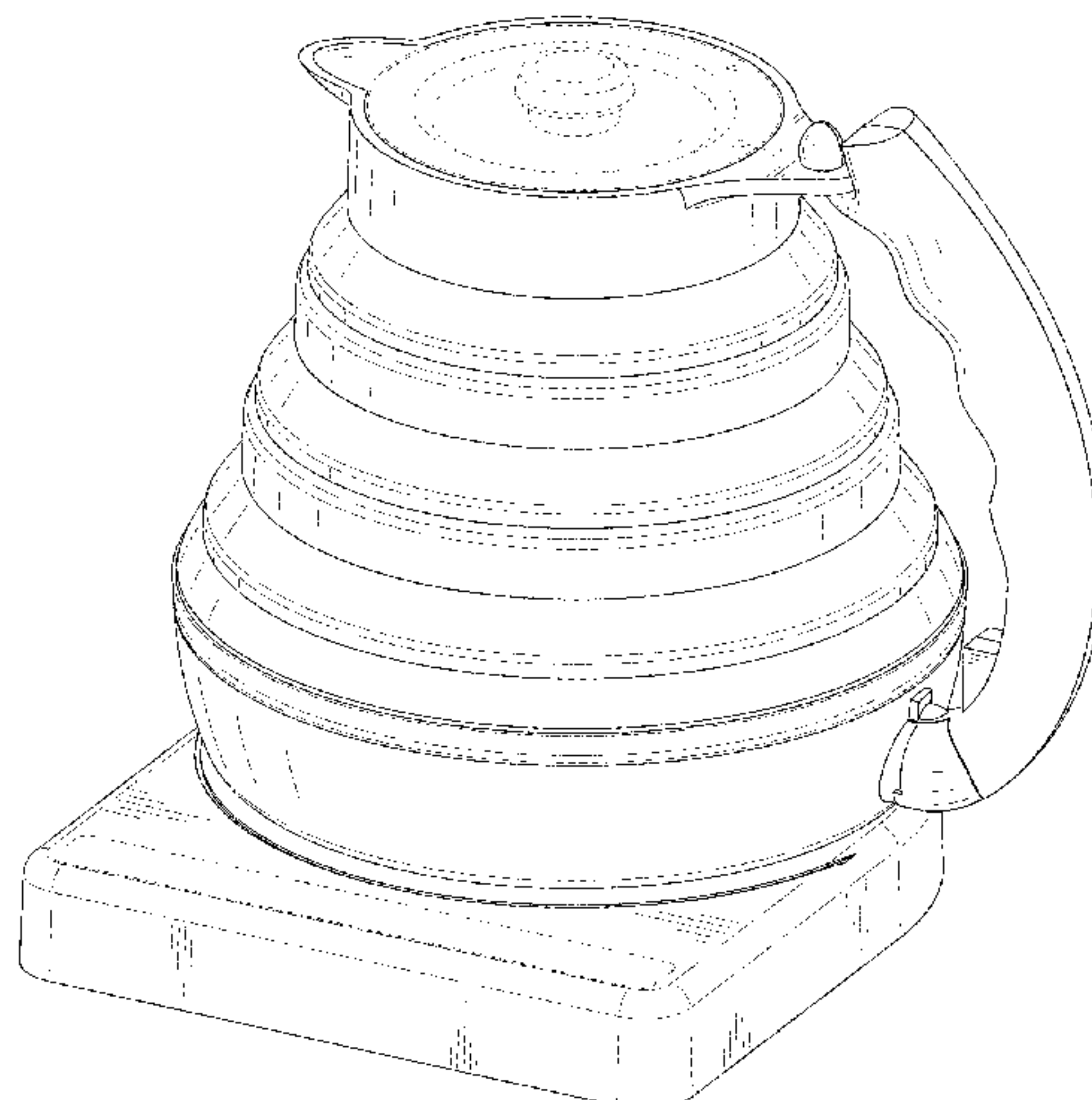
FIG. 17 is a top plan view thereof;

FIG. 18 is a bottom plan view thereof;

FIG. 19 is an exploded top, front, right perspective view of the foldable electric kettle of FIG. 11; and,

FIG. 20 is a top, front, right perspective view of the foldable electric kettle of FIG. 11, where the foldable electric kettle is in a folded state.

(Continued)



The broken lines in the drawings depict portions of the foldable electric kettle that form no part of the claimed design.

**1 Claim, 20 Drawing Sheets**

**(58) Field of Classification Search**

CPC ..... A47G 19/14; A47G 2019/2277; A47G 2021/002; A47J 31/20; A47J 27/2105; A47J 31/005; A47J 27/21175

See application file for complete search history.

**(56)**

**References Cited**

**U.S. PATENT DOCUMENTS**

D437,174 S \* 2/2001 Inoue ..... A47J 27/21175  
D7/317  
D456,578 S \* 4/2002 Smith ..... D32/54  
D611,288 S \* 3/2010 Bodum ..... D7/305  
D627,587 S \* 11/2010 Dahlstrom ..... D7/319  
D628,426 S \* 12/2010 Hoare ..... D7/319  
D682,601 S \* 5/2013 Grasselli ..... D7/321  
8,485,388 B2 \* 7/2013 Tuan ..... A47G 19/12  
220/666  
D731,226 S \* 6/2015 Sun ..... A47J 27/2105  
D7/318  
D738,669 S \* 9/2015 Brook ..... A47J 45/065  
D7/318  
D760,535 S \* 7/2016 Vu ..... D7/378  
D798,102 S \* 9/2017 Rose ..... D7/386  
D804,895 S \* 12/2017 Rose ..... D7/386  
D824,723 S \* 8/2018 Averty ..... A47G 19/14  
D7/396.6  
D828,068 S \* 9/2018 Tsui ..... D7/313

D876,149 S \* 2/2020 Bodum ..... A47G 19/12  
D7/318  
D880,926 S \* 4/2020 Thun ..... D7/317  
2010/0270284 A1 \* 10/2010 Cohen ..... A47J 27/21175  
219/429  
2016/0029848 A1 \* 2/2016 Tuan ..... A47J 45/065  
220/764  
2016/0031596 A1 \* 2/2016 Tuan ..... A47J 27/2105  
219/438  
2016/0347503 A1 12/2016 Tsui  
2018/0296025 A1 \* 10/2018 Pan ..... A47J 31/0636  
2018/0303278 A1 \* 10/2018 Sachtleben ..... A47G 19/14  
2021/0378435 A1 \* 12/2021 Fryer ..... A47J 27/21

**FOREIGN PATENT DOCUMENTS**

CN 304121500 \* 5/2017  
CN 304845924 \* 10/2018  
CN 304868035 \* 10/2018  
CN 305084966 \* 3/2019  
CN 305123332 \* 4/2019  
CN 305295191 \* 8/2019  
CN 305295251 \* 8/2019  
CN 305565320 \* 1/2020  
CN 305825681 \* 6/2020  
CN 306326374 \* 2/2021  
CN 306333839 \* 2/2021

**OTHER PUBLICATIONS**

US Sport, "Ultrathin Upgraded Food Grade Silicone Travel Foldable Electric Kettle," Jul. 31, 2018, Amazon.com, [www.amazon.com/Ultrathin-Upgraded-Silicone-Protection-Separable/dp/B07PRGXQBS?th=1](http://www.amazon.com/Ultrathin-Upgraded-Silicone-Protection-Separable/dp/B07PRGXQBS?th=1) (Year: 2018).\*  
NeMe, "NEME Travel Foldable Electric Kettle," Sep. 3, 2019, Amazon.com, [www.amazon.com/NEME-Travel-Foldable-Electric-Kettle/dp/B07WSTWJZ1?th=1](http://www.amazon.com/NEME-Travel-Foldable-Electric-Kettle/dp/B07WSTWJZ1?th=1) (Year: 2019).\*

\* cited by examiner

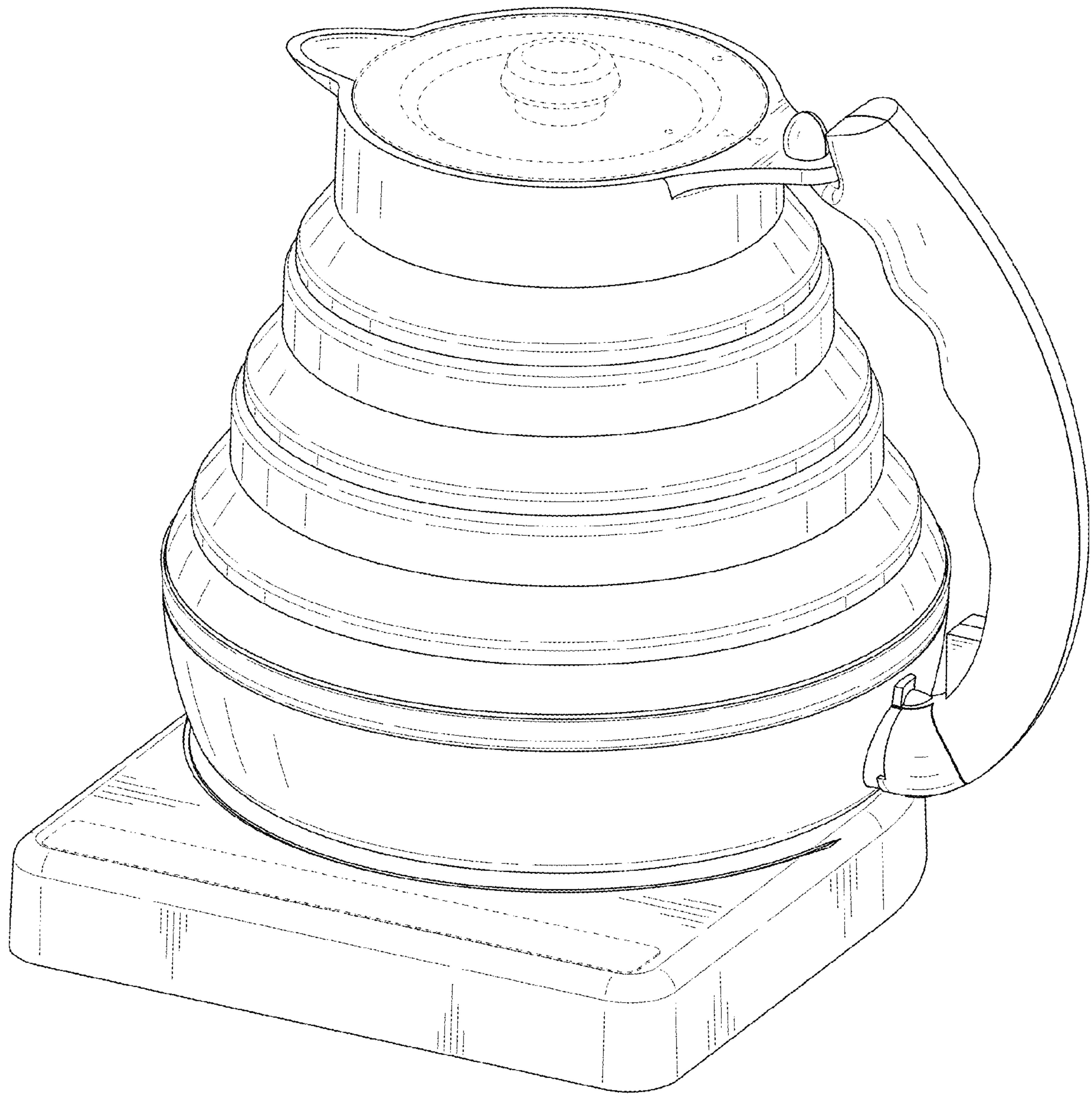


FIG. 1



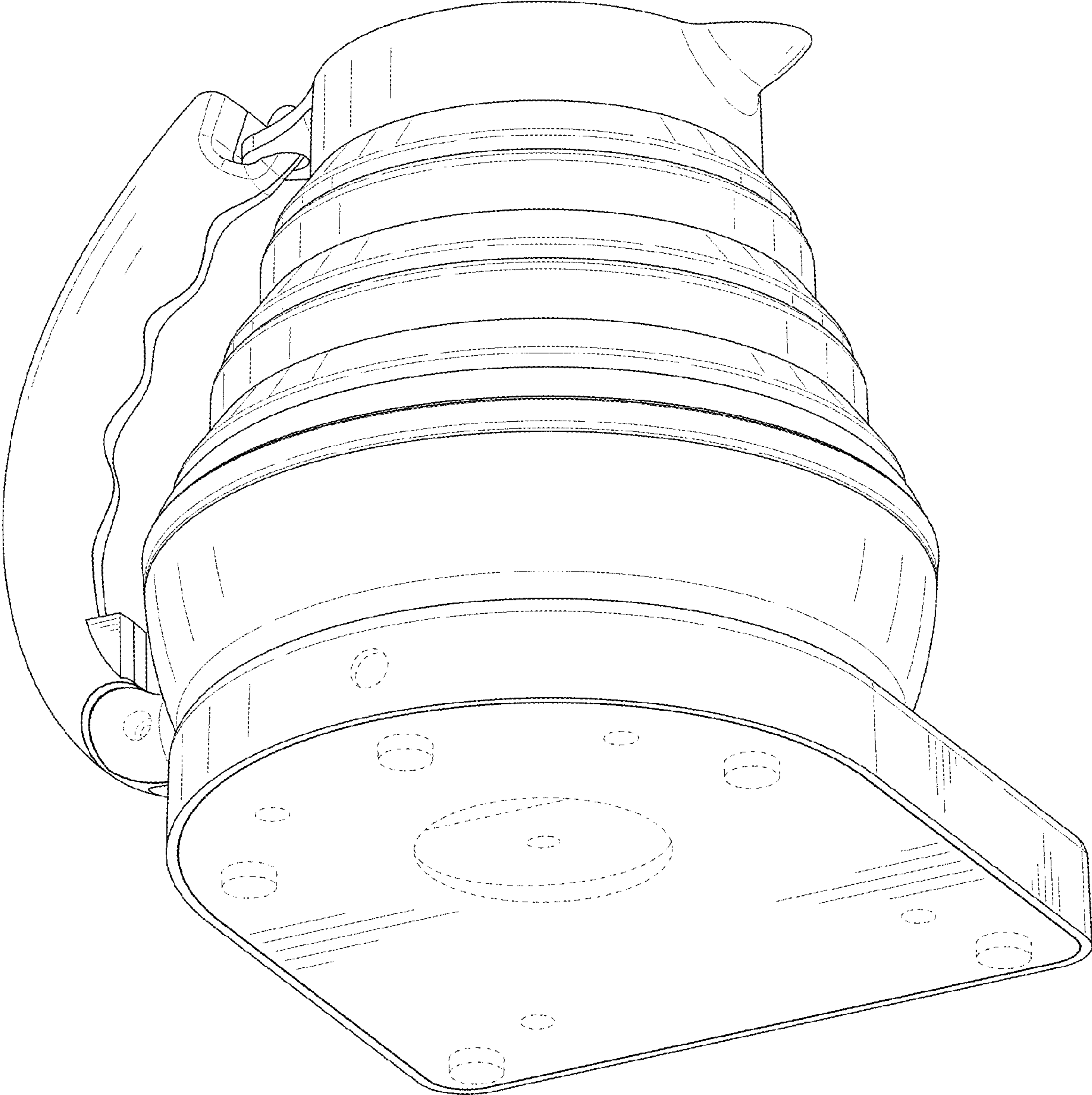


FIG. 2

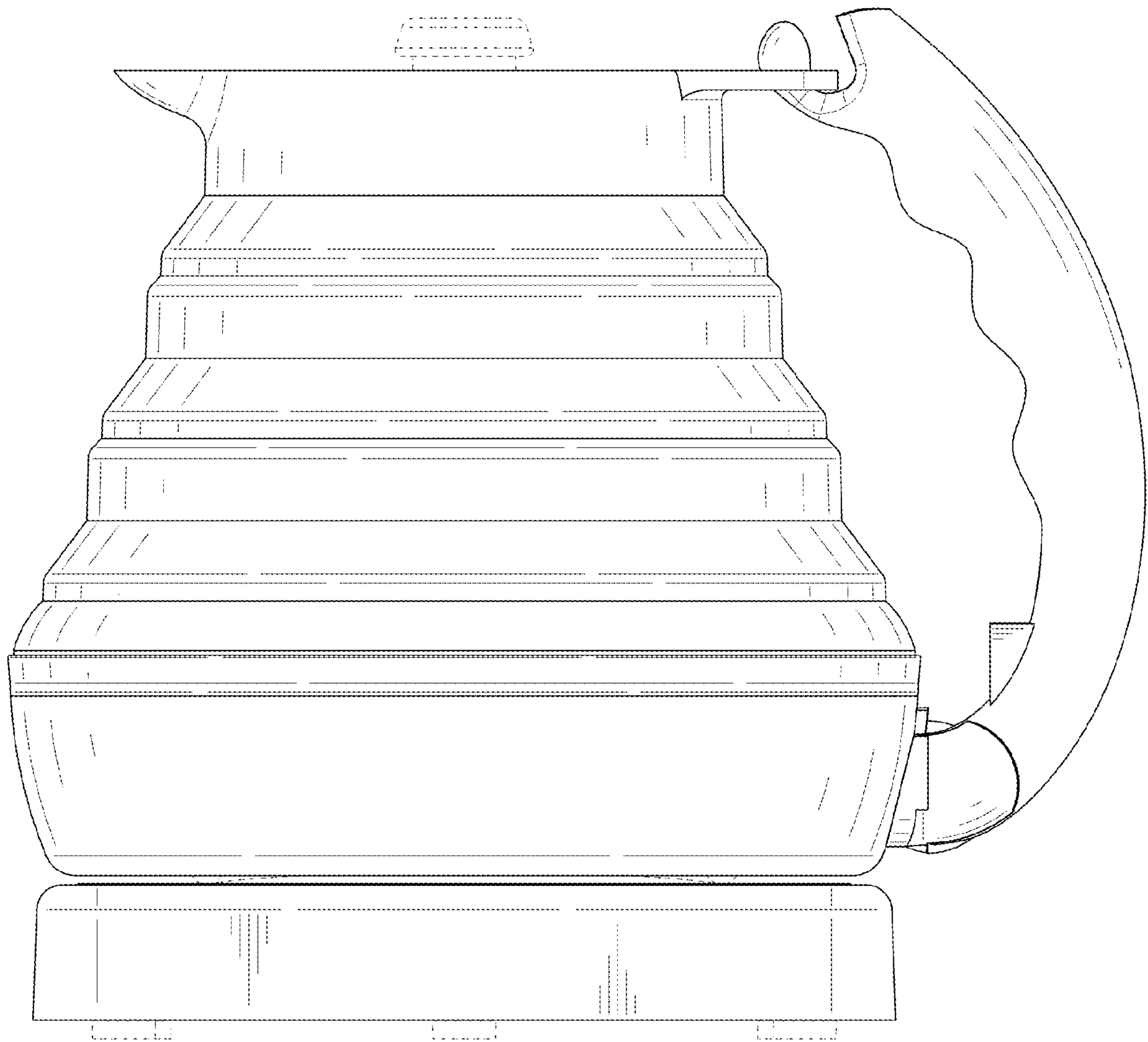


FIG. 3

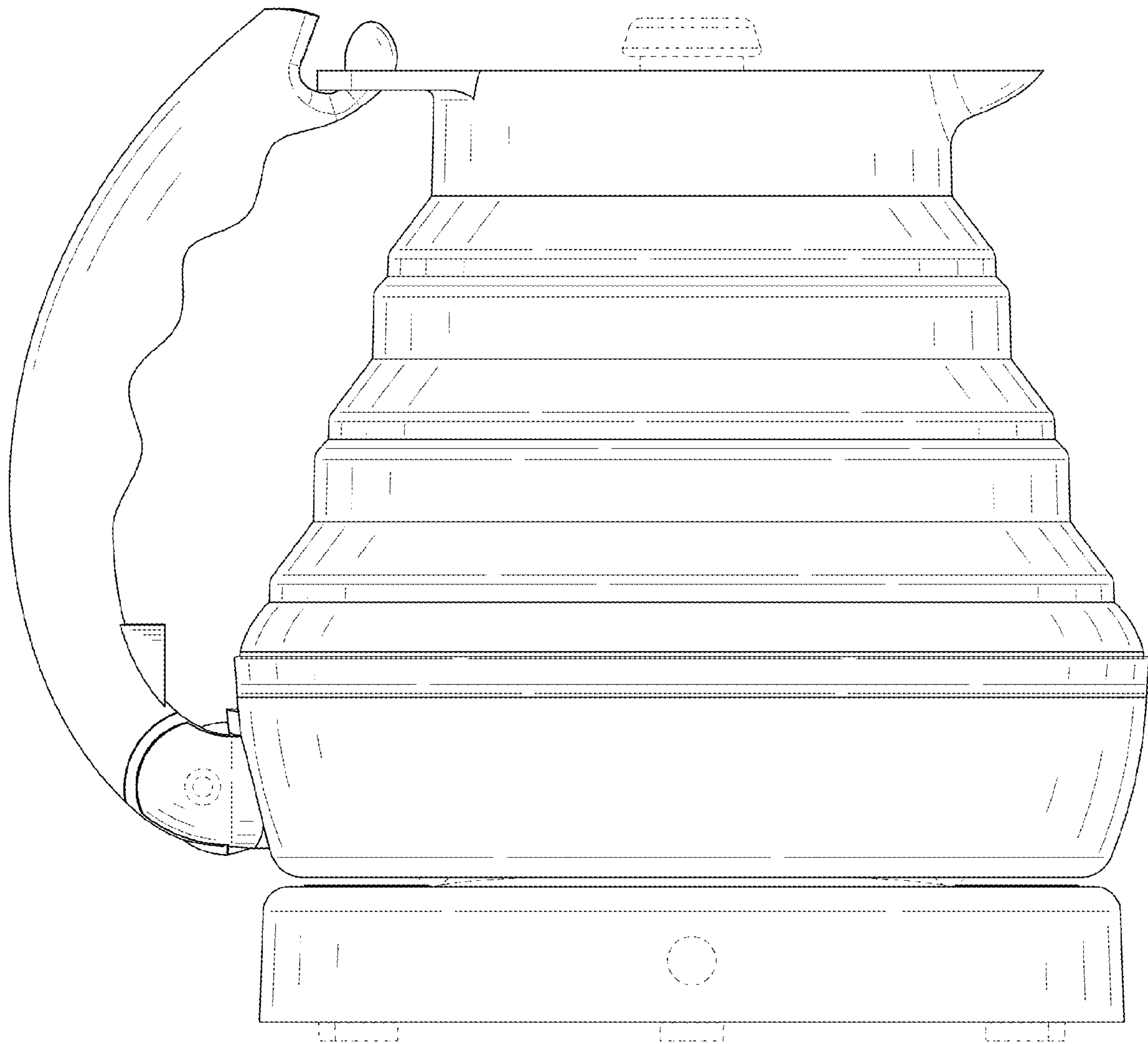


FIG. 4

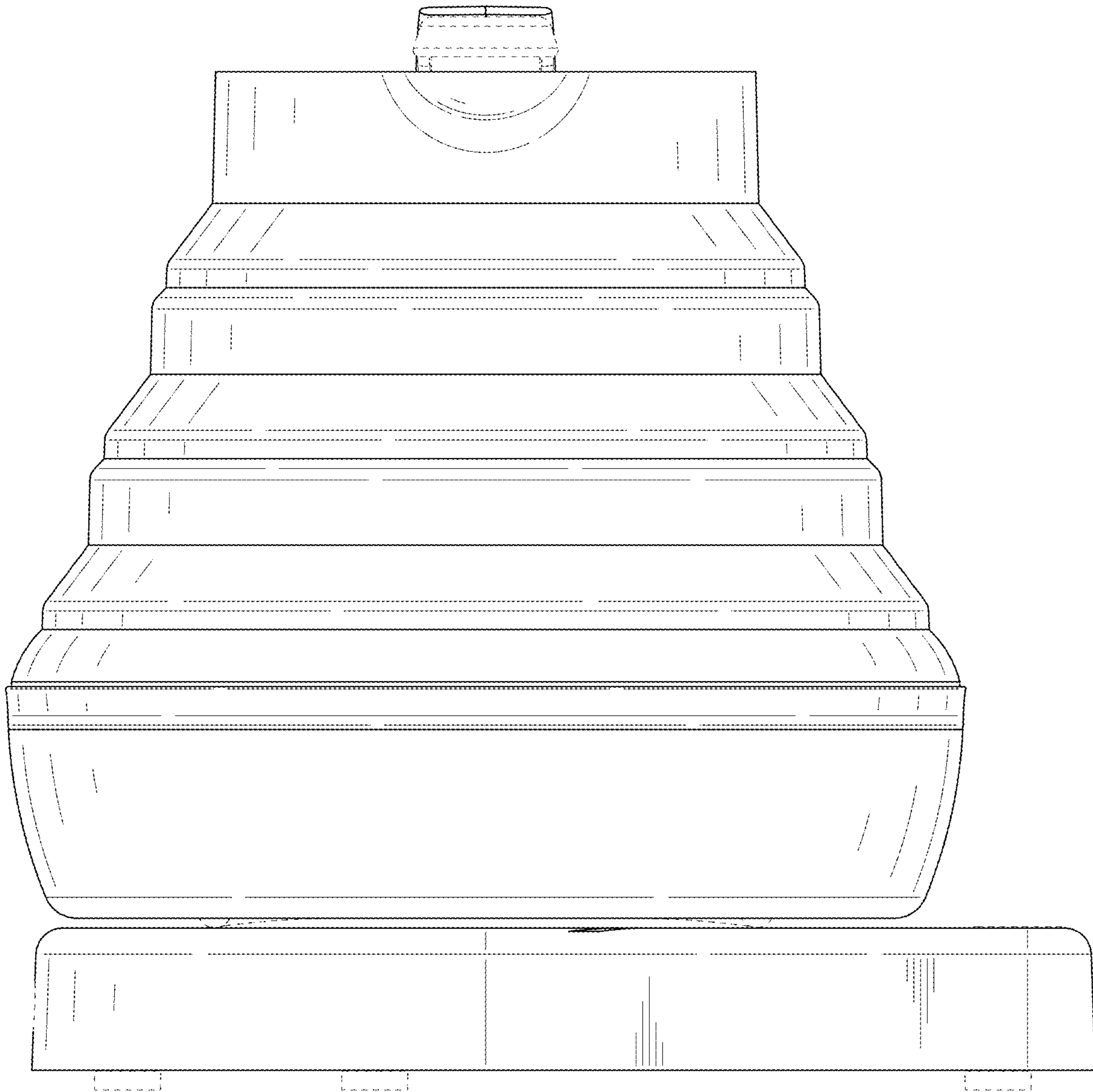


FIG. 5

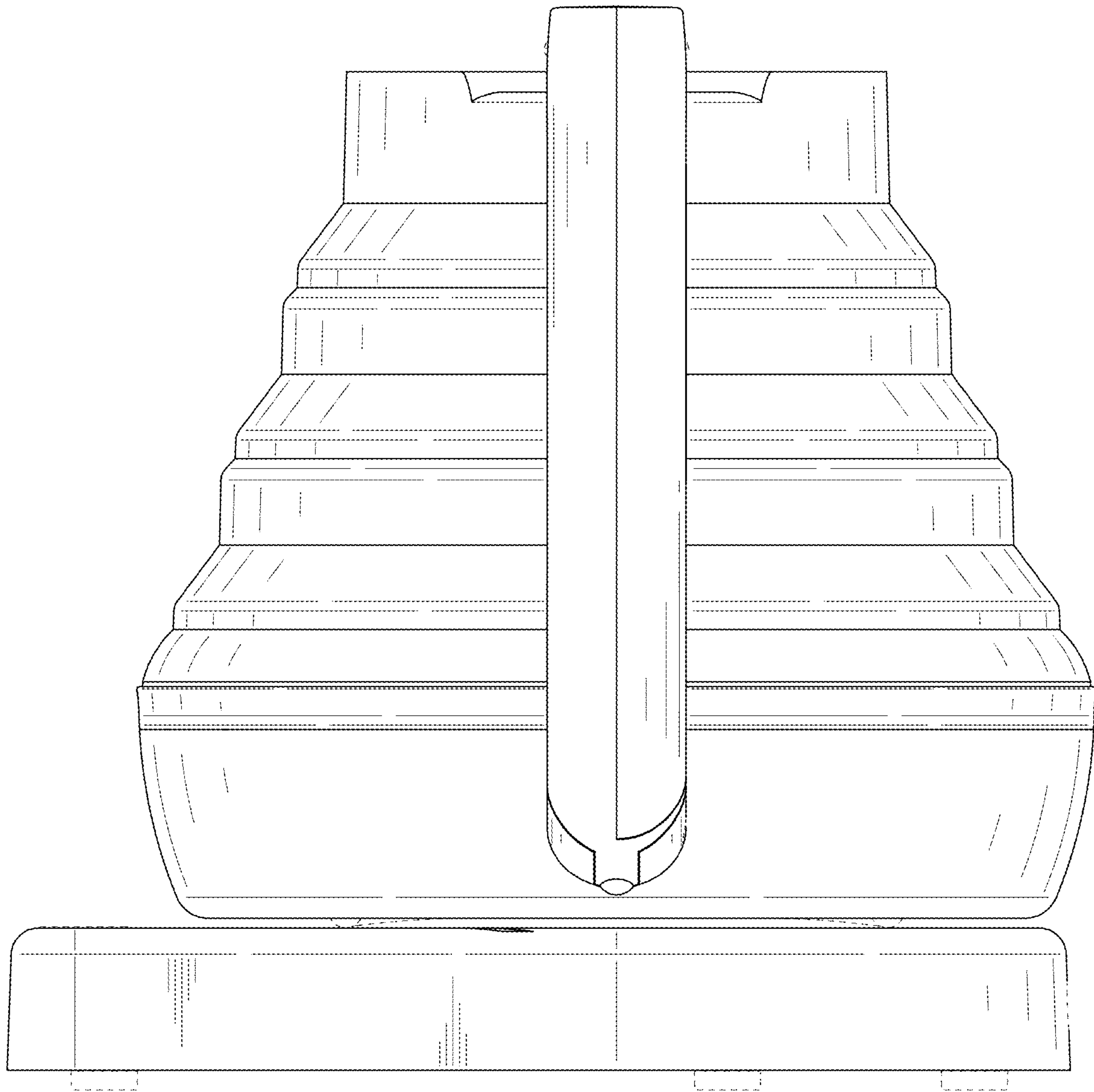


FIG. 6



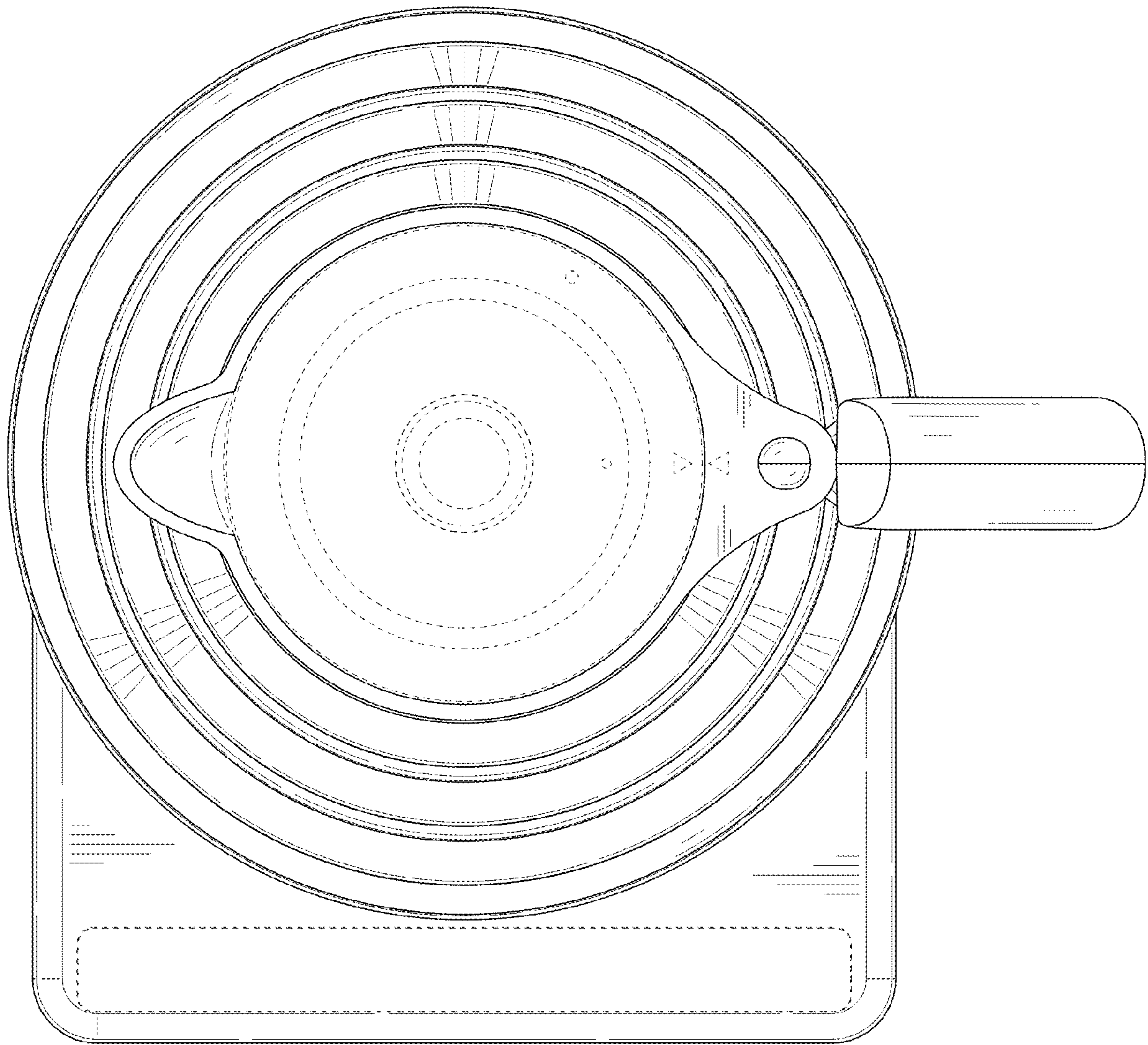


FIG. 7

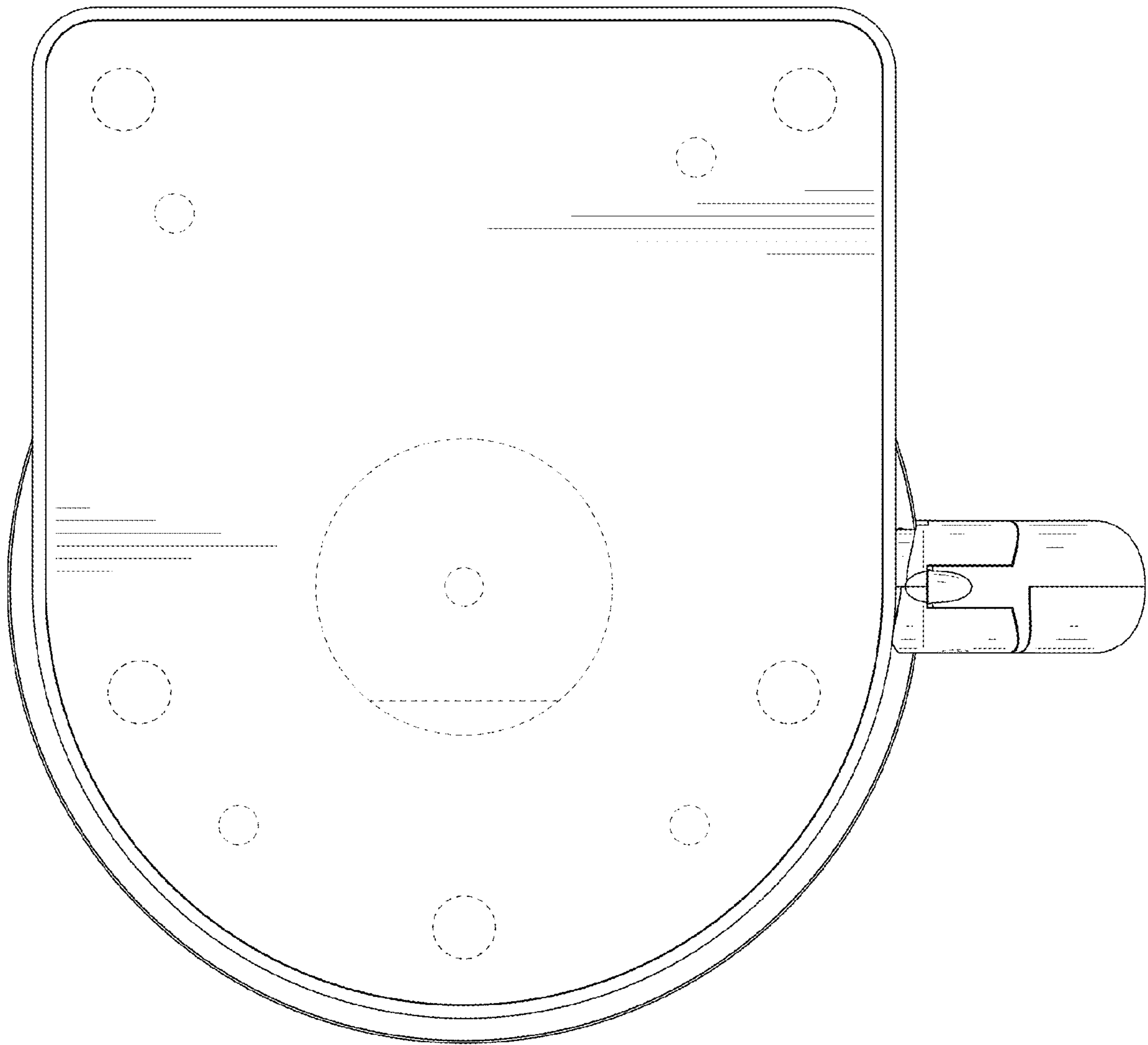


FIG. 8

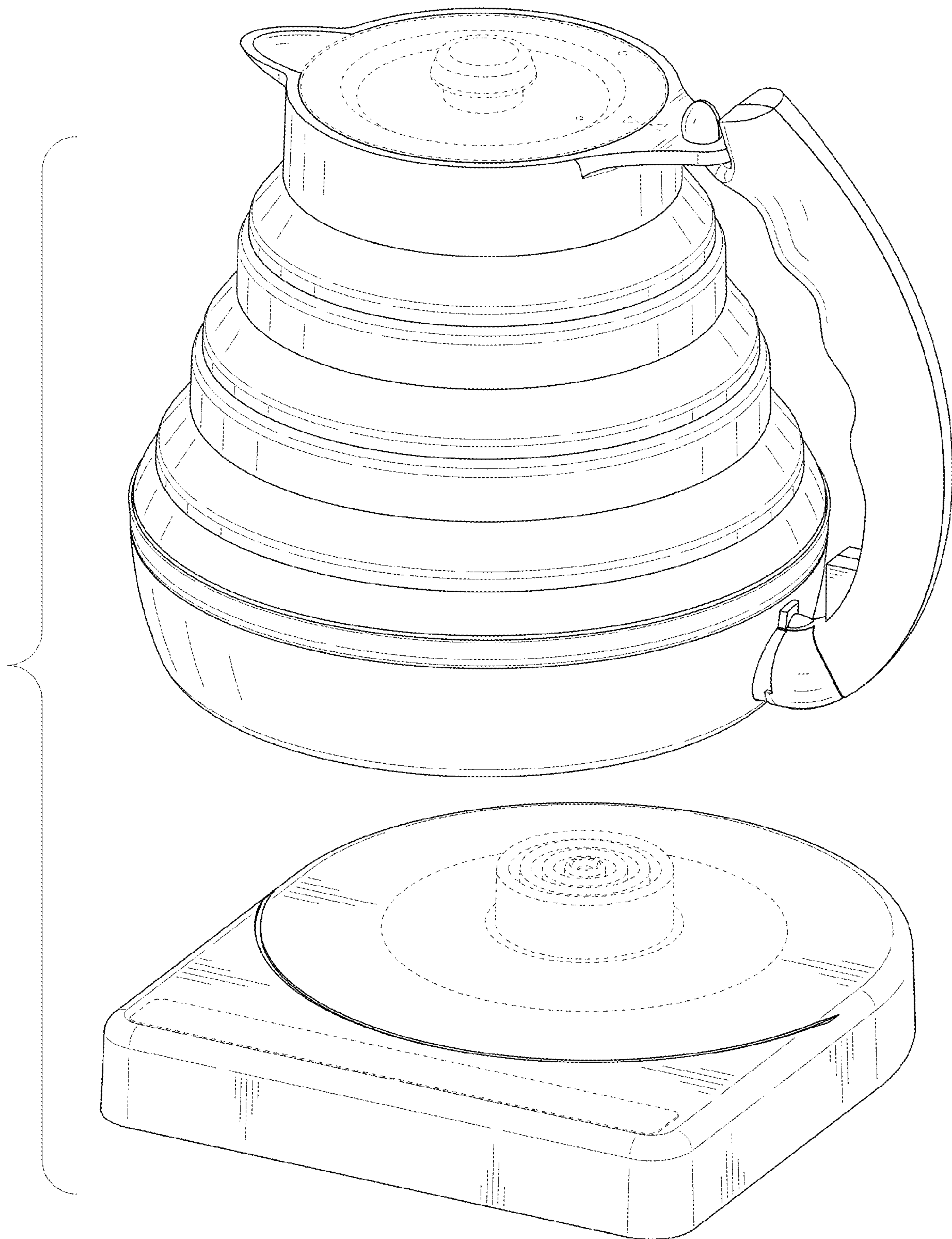


FIG. 9



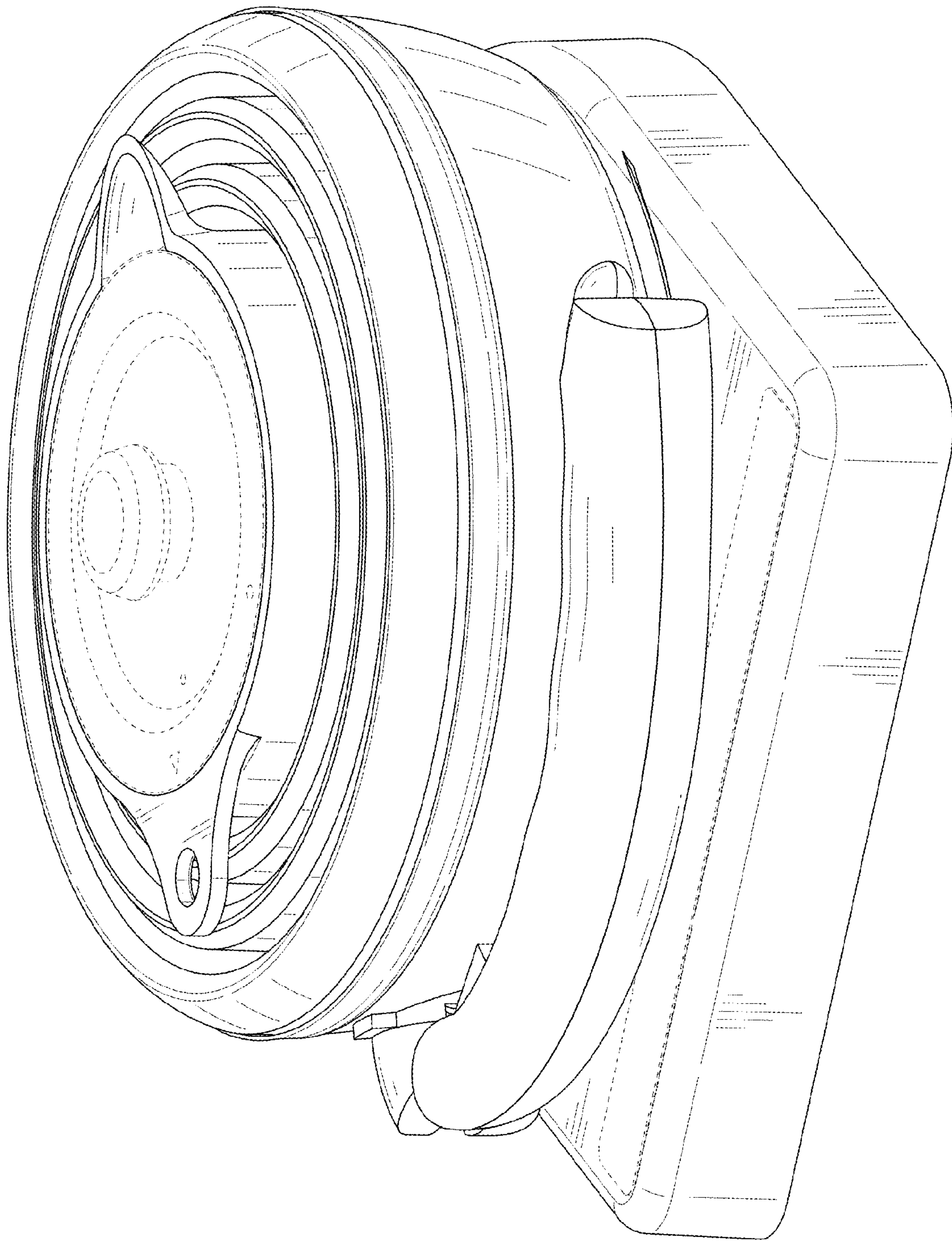


FIG. 10



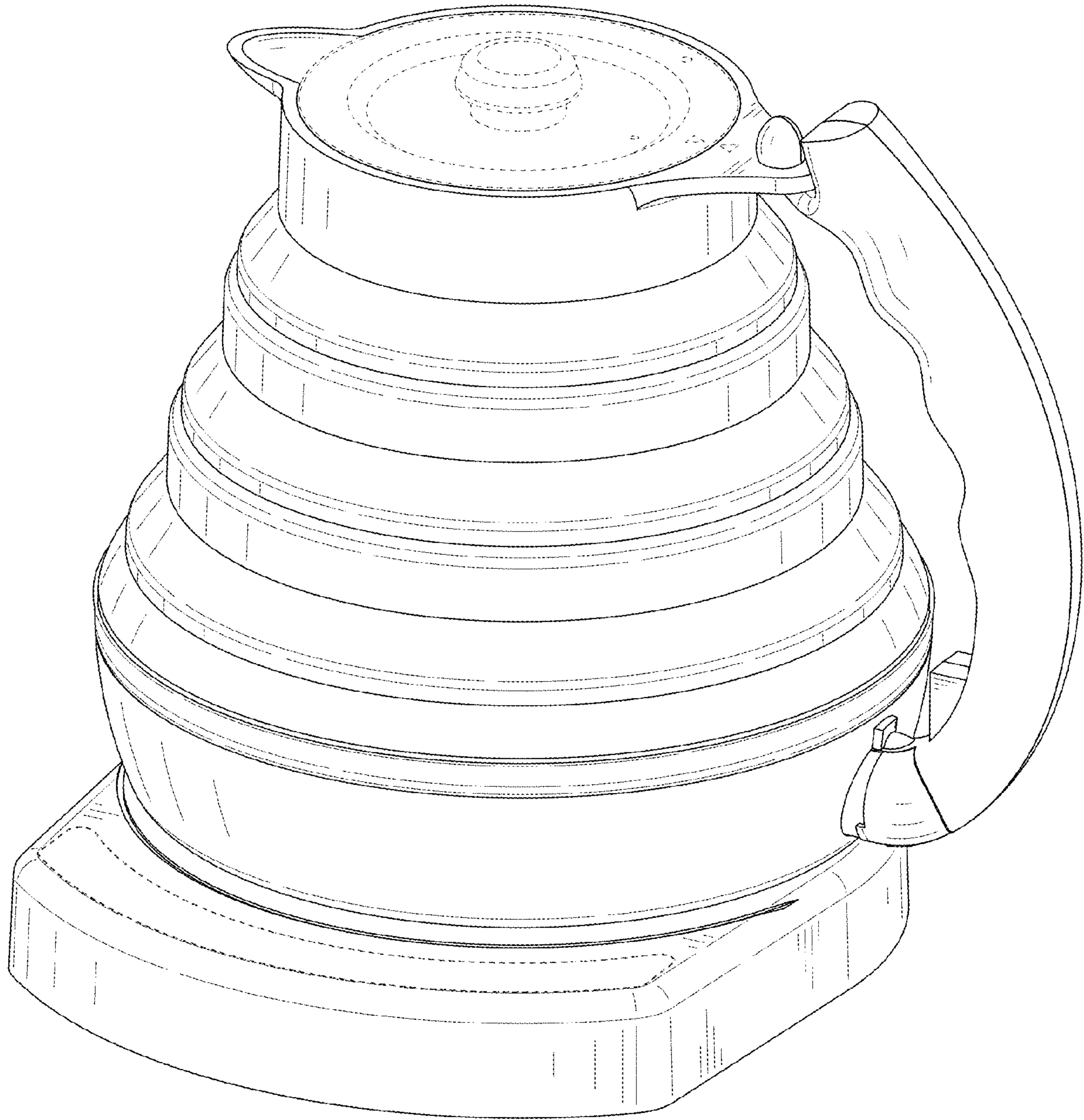


FIG. 11

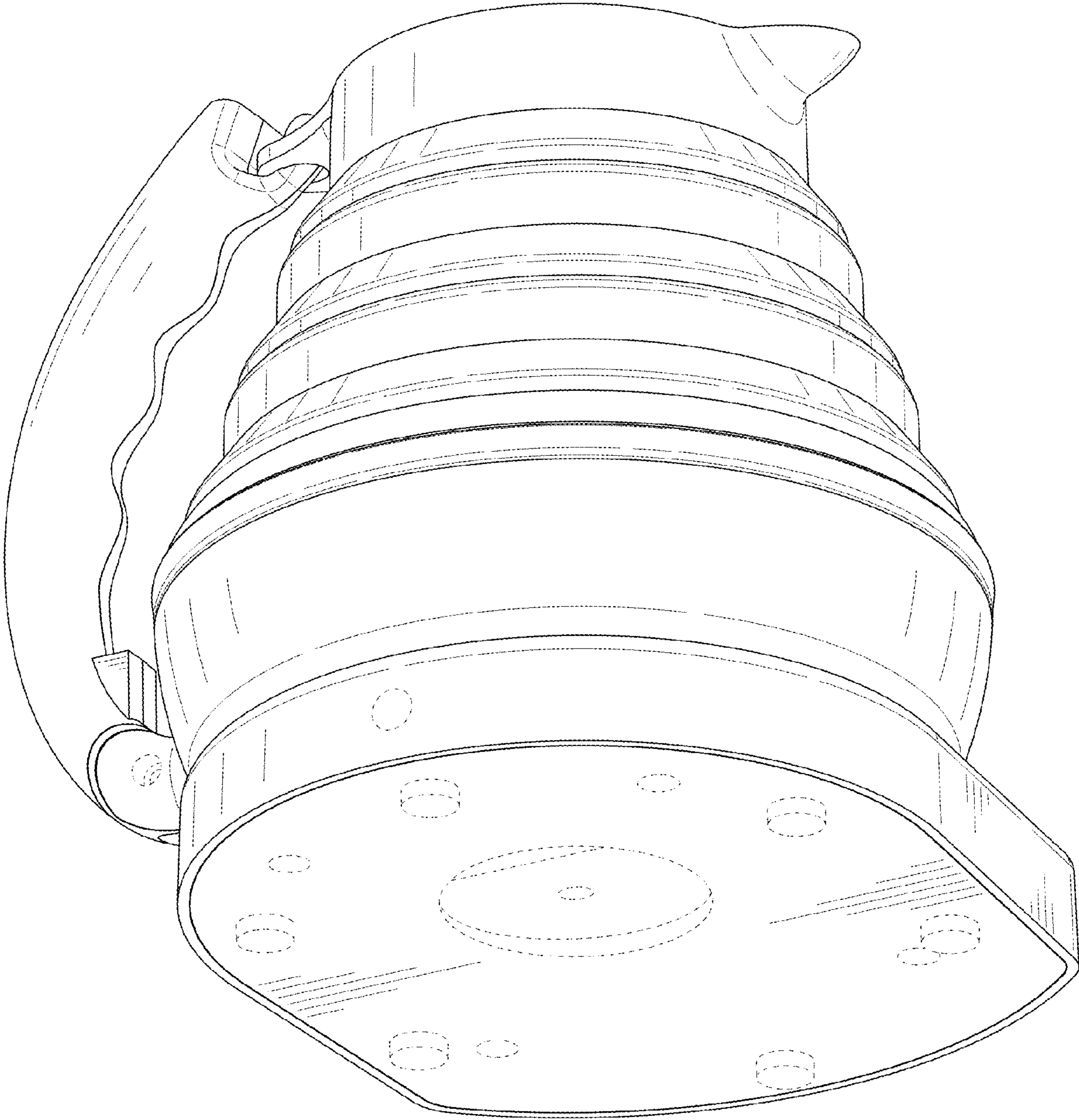


FIG. 12

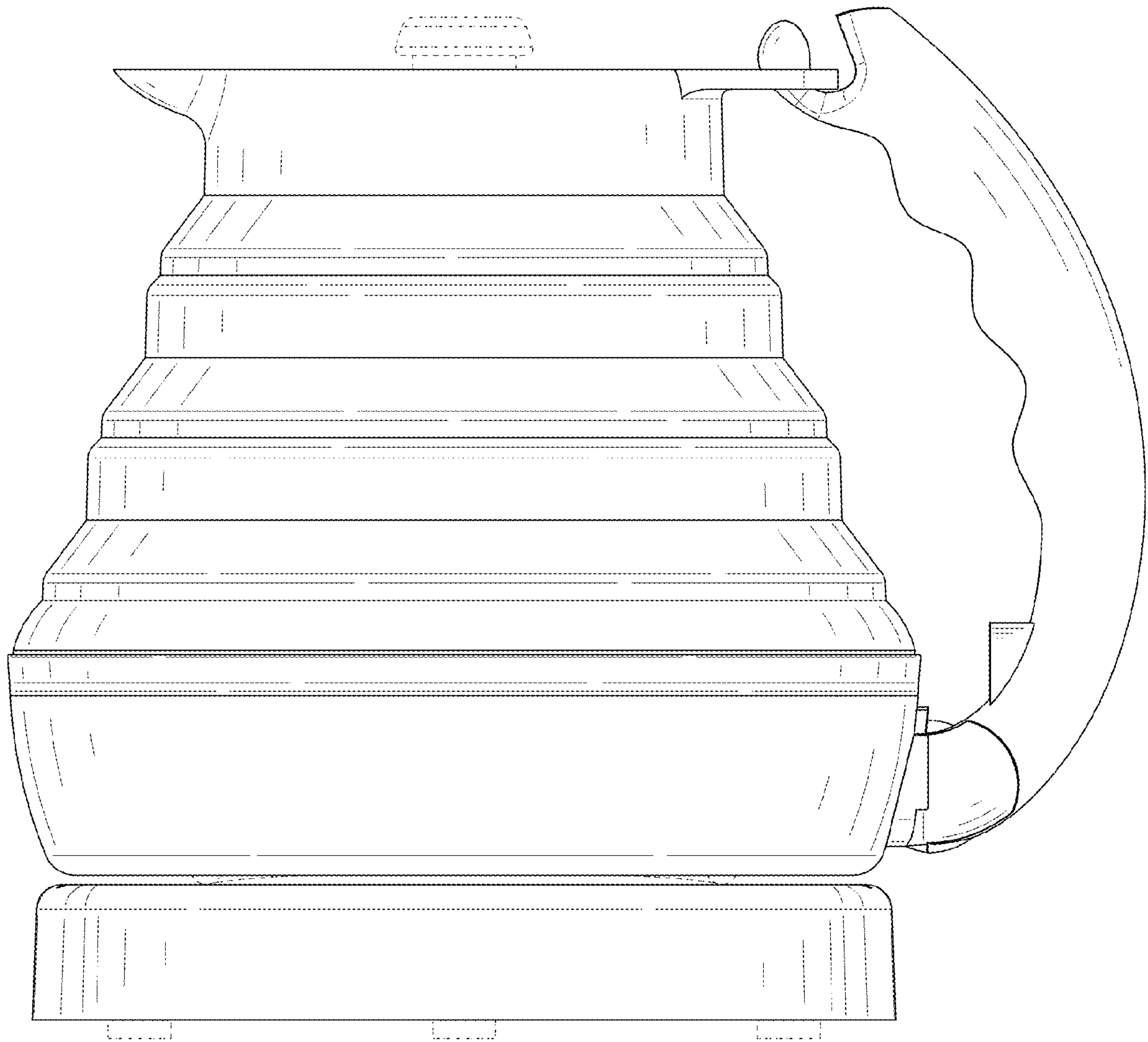


FIG. 13

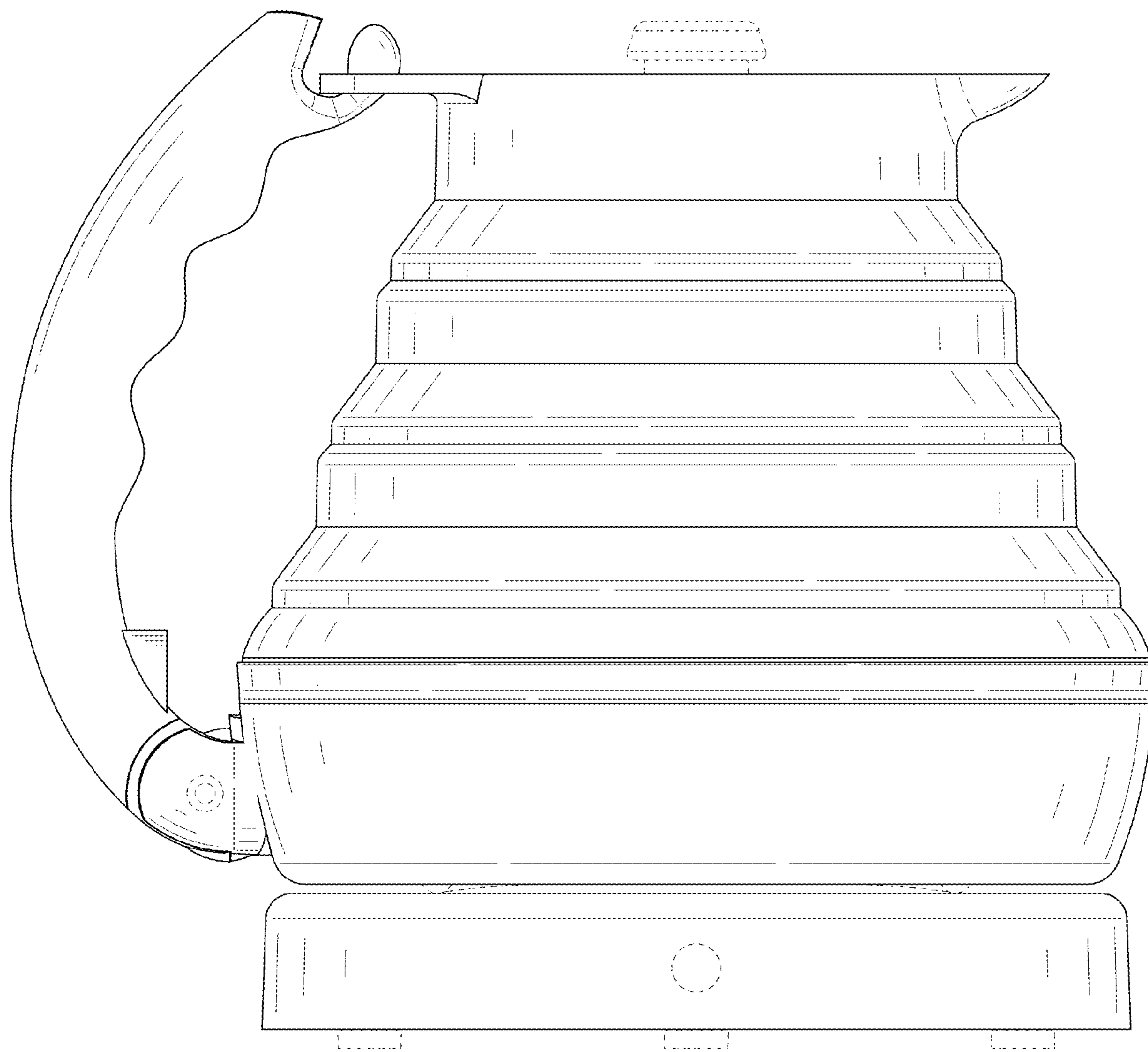


FIG. 14



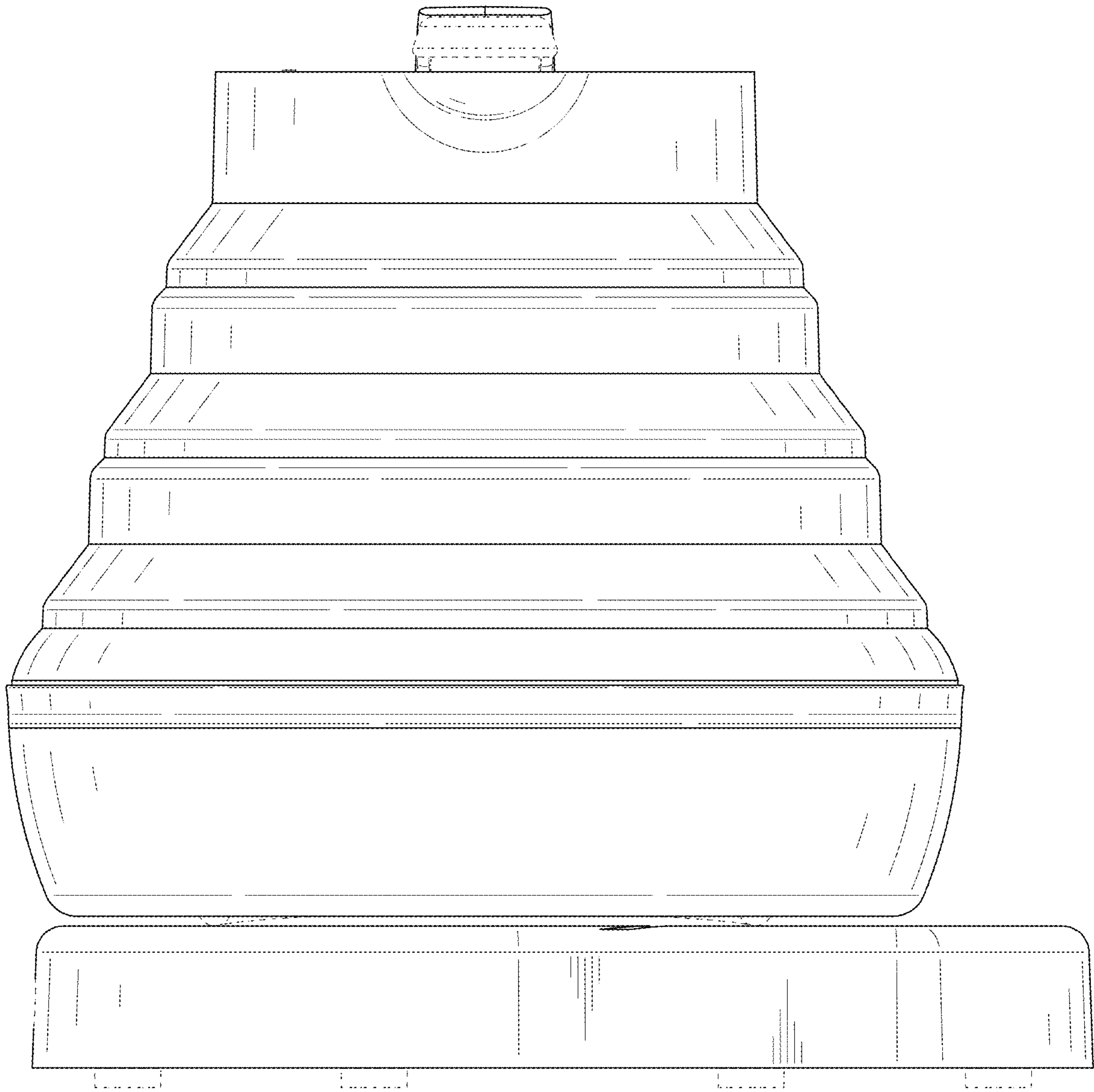


FIG. 15

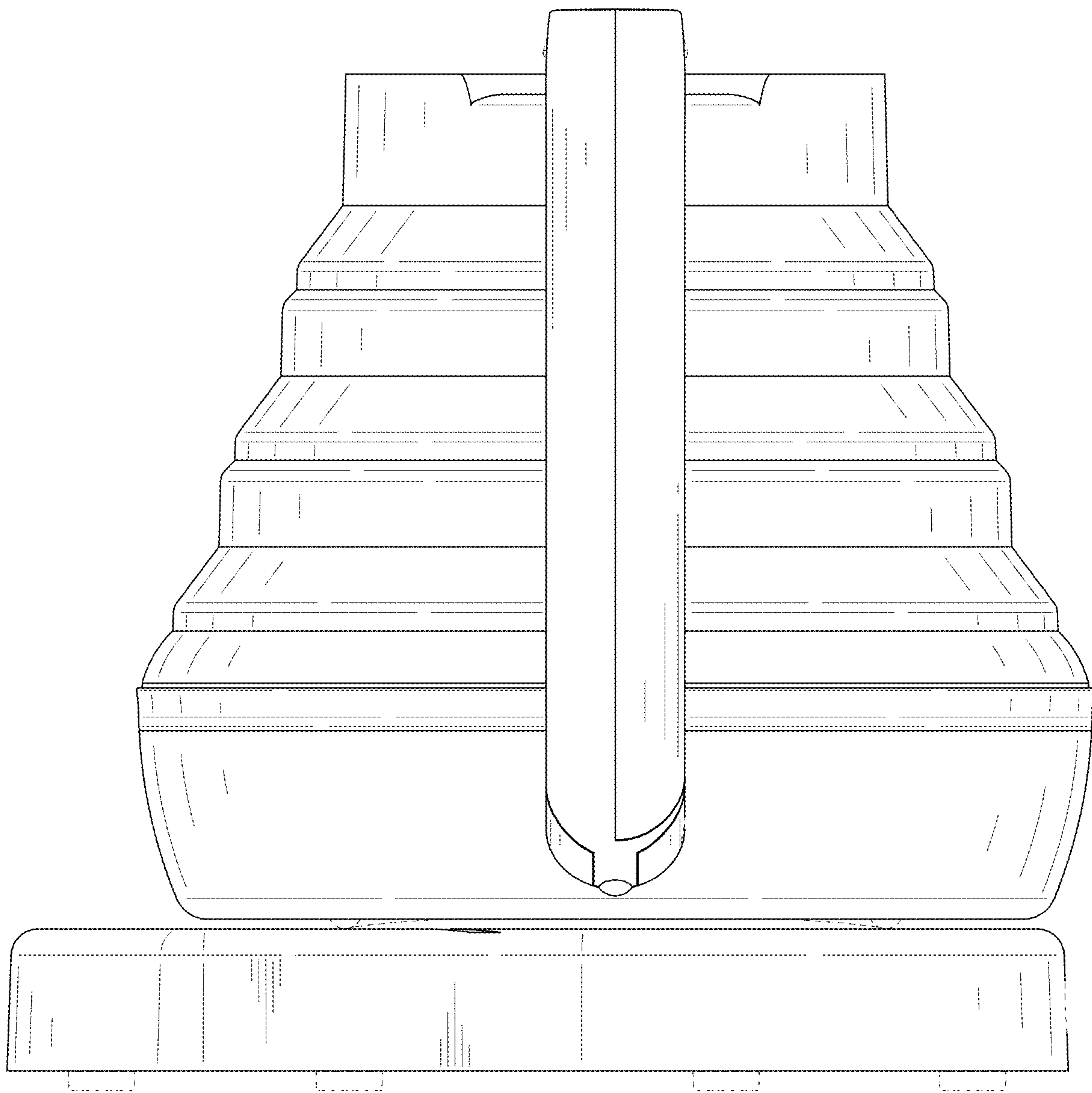


FIG. 16

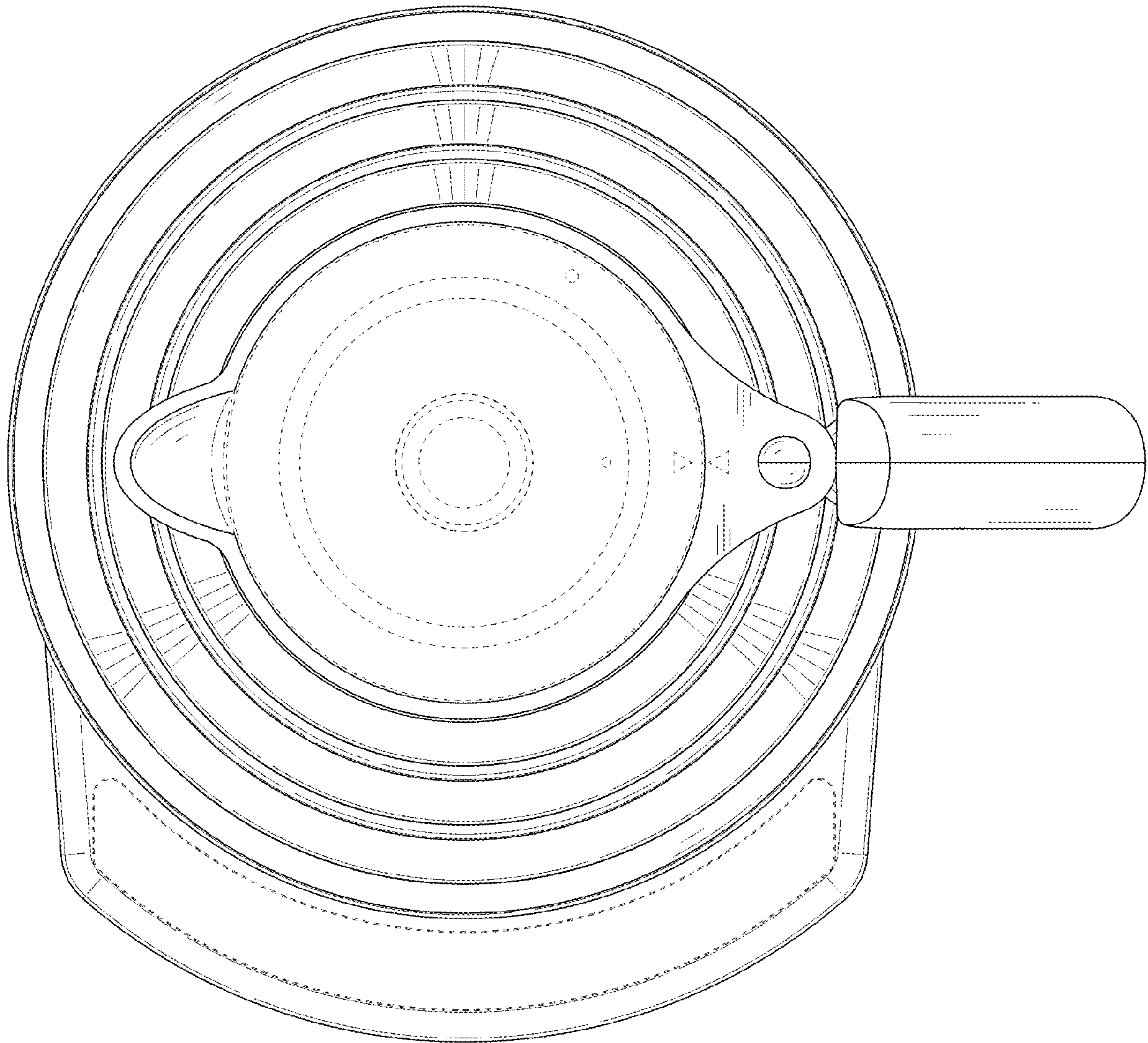


FIG. 17

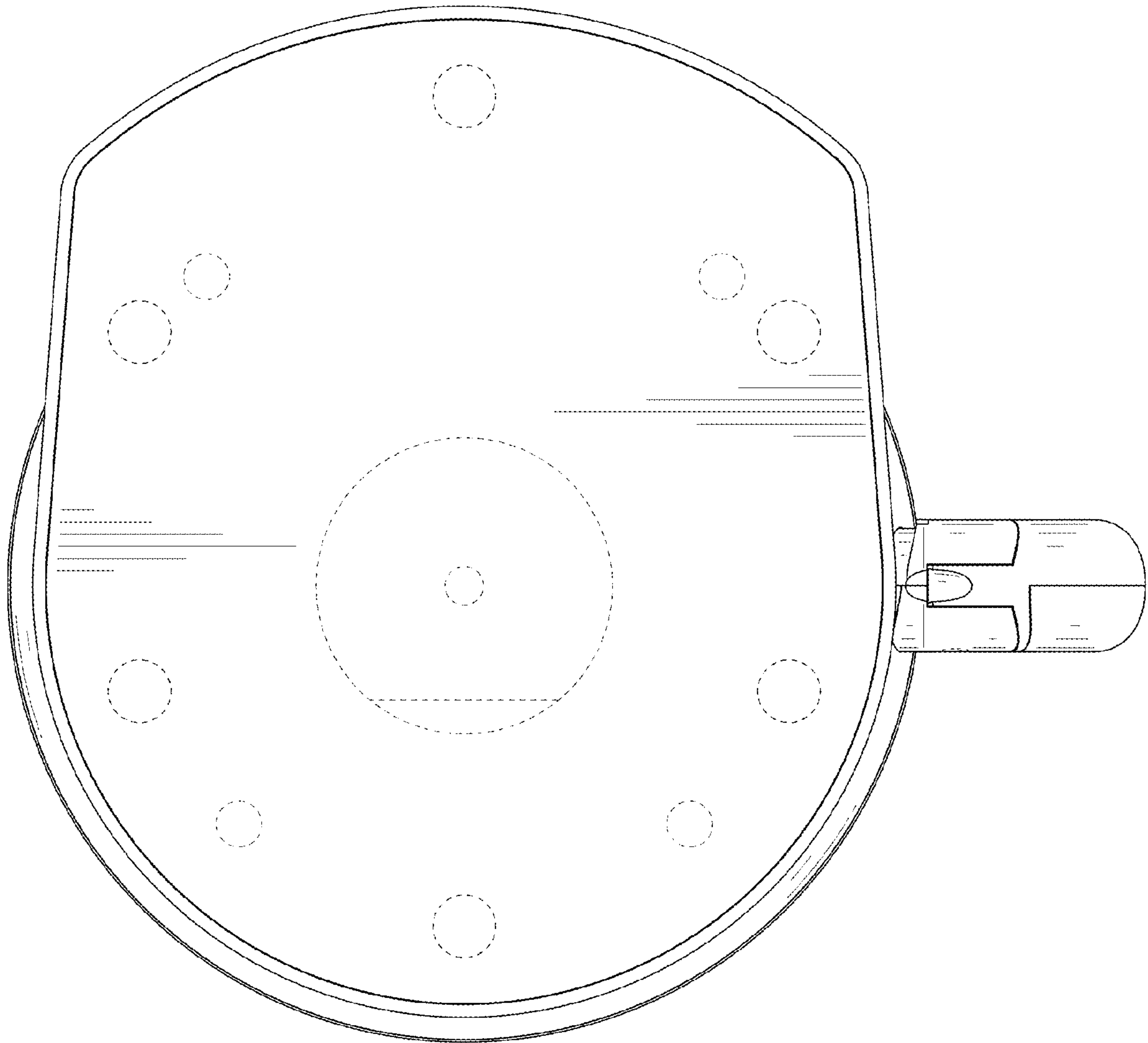


FIG. 18



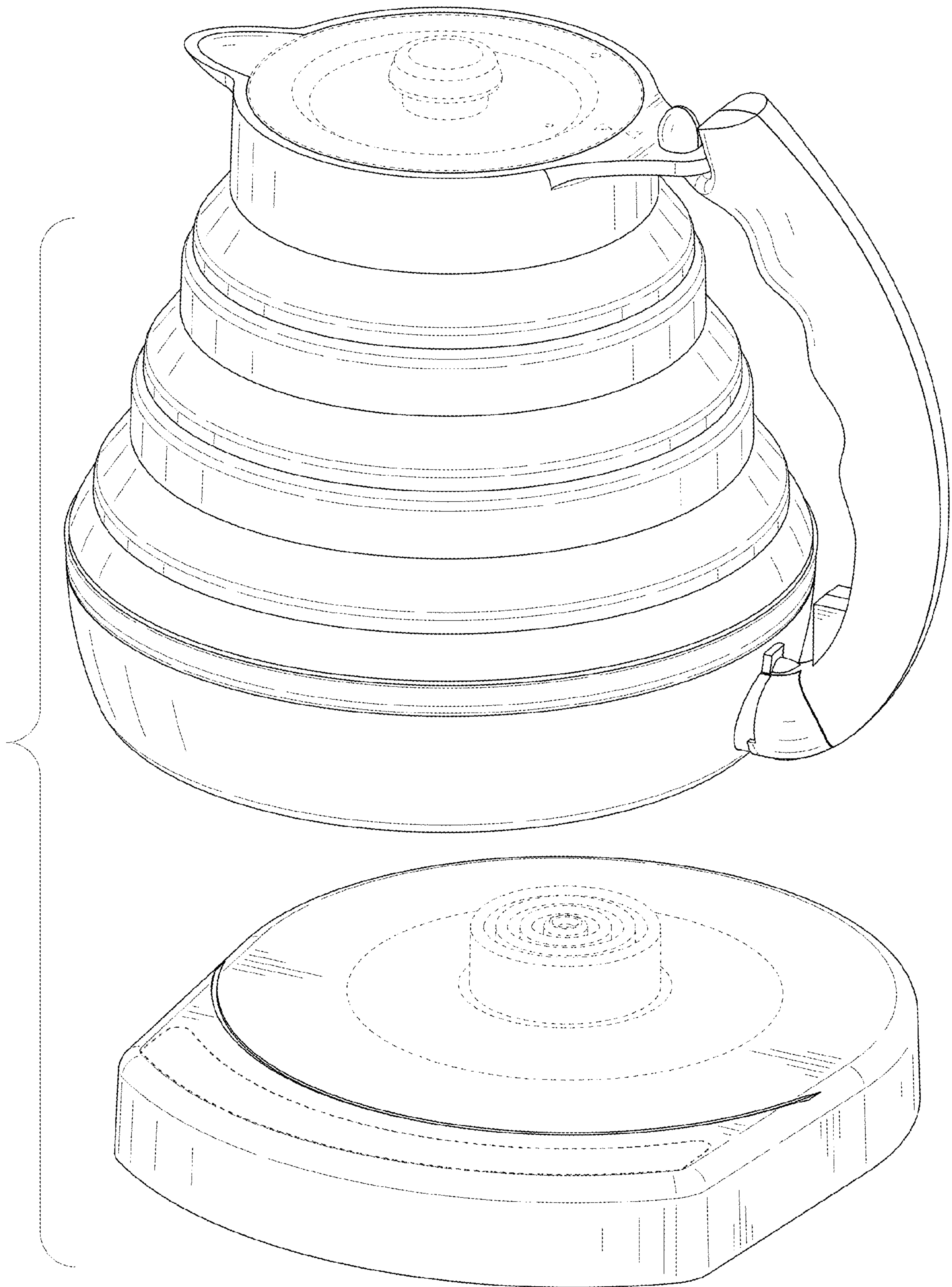


FIG. 19

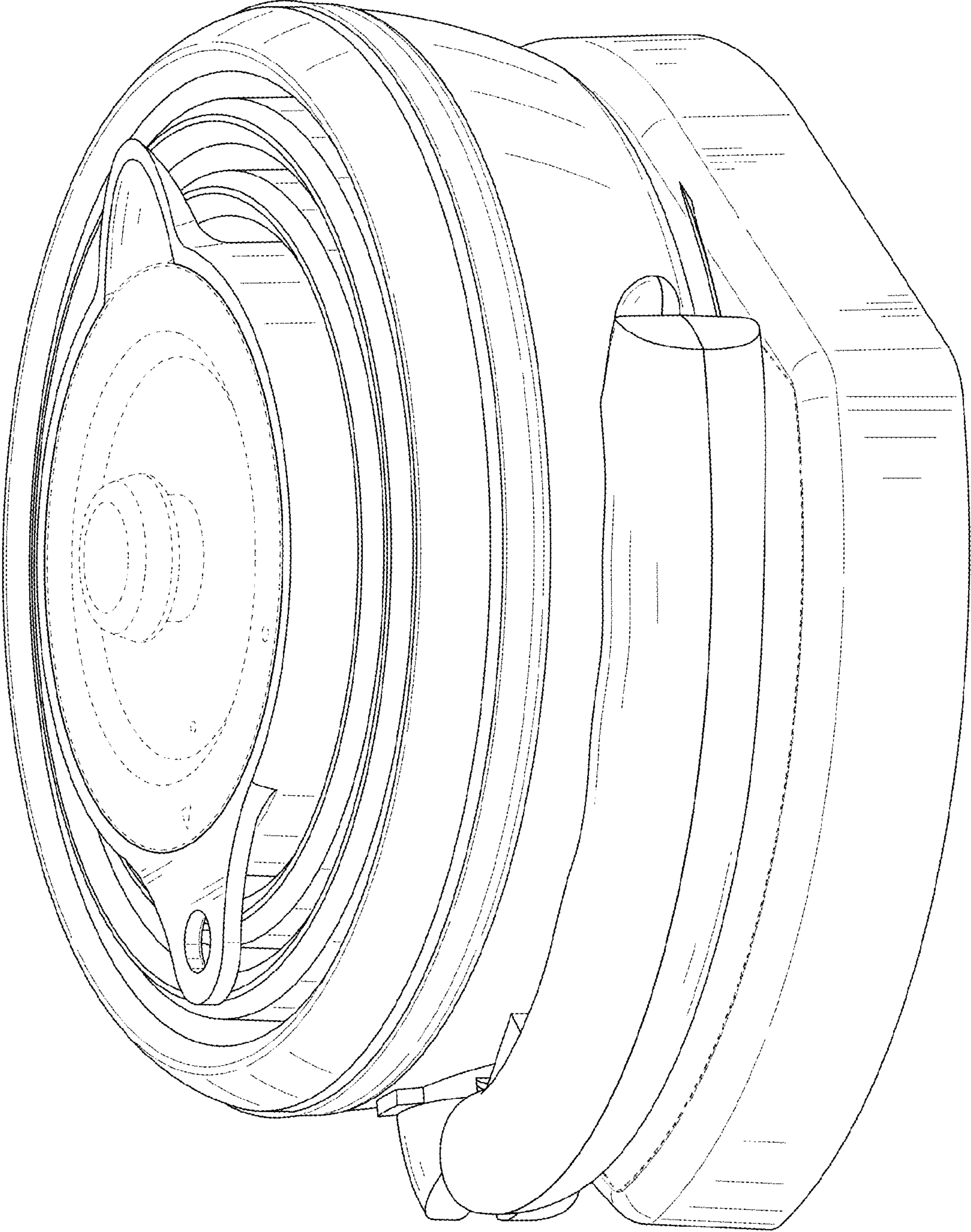


FIG. 20