

US00D961981S

(12) **United States Design Patent**
Jo et al.

(10) **Patent No.:** **US D961,981 S**

(45) **Date of Patent:** **** Aug. 30, 2022**

(54) **ELECTRIC KETTLE**

(71) Applicant: **MIDEA GROUP CO., LTD.**,
Guangdong (CN)

(72) Inventors: **Jeongmin Jo**, Guangdong (CN); **Ying Song**, Guangdong (CN)

(73) Assignee: **MIDEA GROUP CO., LTD.**,
Guangdong (CN)

(**) Term: **15 Years**

(21) Appl. No.: **35/511,086**

(22) Filed: **Oct. 12, 2020**

(80) **Hague Agreement Data**
 Int. Filing Date: **Oct. 12, 2020**
 Int. Reg. No.: **DM/211891**
 Int. Reg. Date: **Oct. 12, 2020**
 Int. Reg. Pub. Date: **Jan. 1, 2021**

(30) **Foreign Application Priority Data**
 Jun. 8, 2020 (CN) 202030283267.2

(51) **LOC (13) Cl.** **07-02**

(52) **U.S. Cl.**
 USPC **D7/318**

(58) **Field of Classification Search**
 USPC D7/300, 302, 316, 317, 318, 319, 350.1,
 D7/354, 608, 619.1, 622, 629
 CPC . A21B 2/00; A47J 43/27; A47G 19/22; H05B
 6/64
 See application file for complete search history.

(56) **References Cited**
 U.S. PATENT DOCUMENTS

3,174,424 A * 3/1965 Serio A47J 31/053
 99/299

3,235,116 A * 2/1966 Leonard A47J 47/06
 215/270

4,498,375 A * 2/1985 Bedini A47J 31/0663
 99/303

D454,468 S * 3/2002 Mano D7/317

D461,087 S * 8/2002 Hatsumoto D7/317

D493,332 S * 7/2004 Bin D7/318

6,818,867 B2 * 11/2004 Kressmann A47J 27/21083
 219/438

D603,647 S * 11/2009 Bodum D7/317

D638,651 S * 5/2011 Butler D7/318

D643,242 S * 8/2011 Butler D7/319

D646,522 S * 10/2011 Collinson D7/376

D718,974 S * 12/2014 De'Longhi A47J 47/06
 D7/321

D726,485 S * 4/2015 Mullen A47J 31/053
 D7/317

D779,260 S * 2/2017 De' Longhi D7/321

D789,725 S * 6/2017 Kestenbaum D7/317

D811,148 S * 2/2018 Harrod D7/318

(Continued)

OTHER PUBLICATIONS

Dash, May 23, 2018, found on Dec. 14, 2021 at https://www.amazon.com/dp/B07D8J5DDF/ref=sbl_dp_kitchen-tea-electric-kettles_B07YKXL3B5_0 (Year: 2018).*

(Continued)

Primary Examiner — Karen S Acker

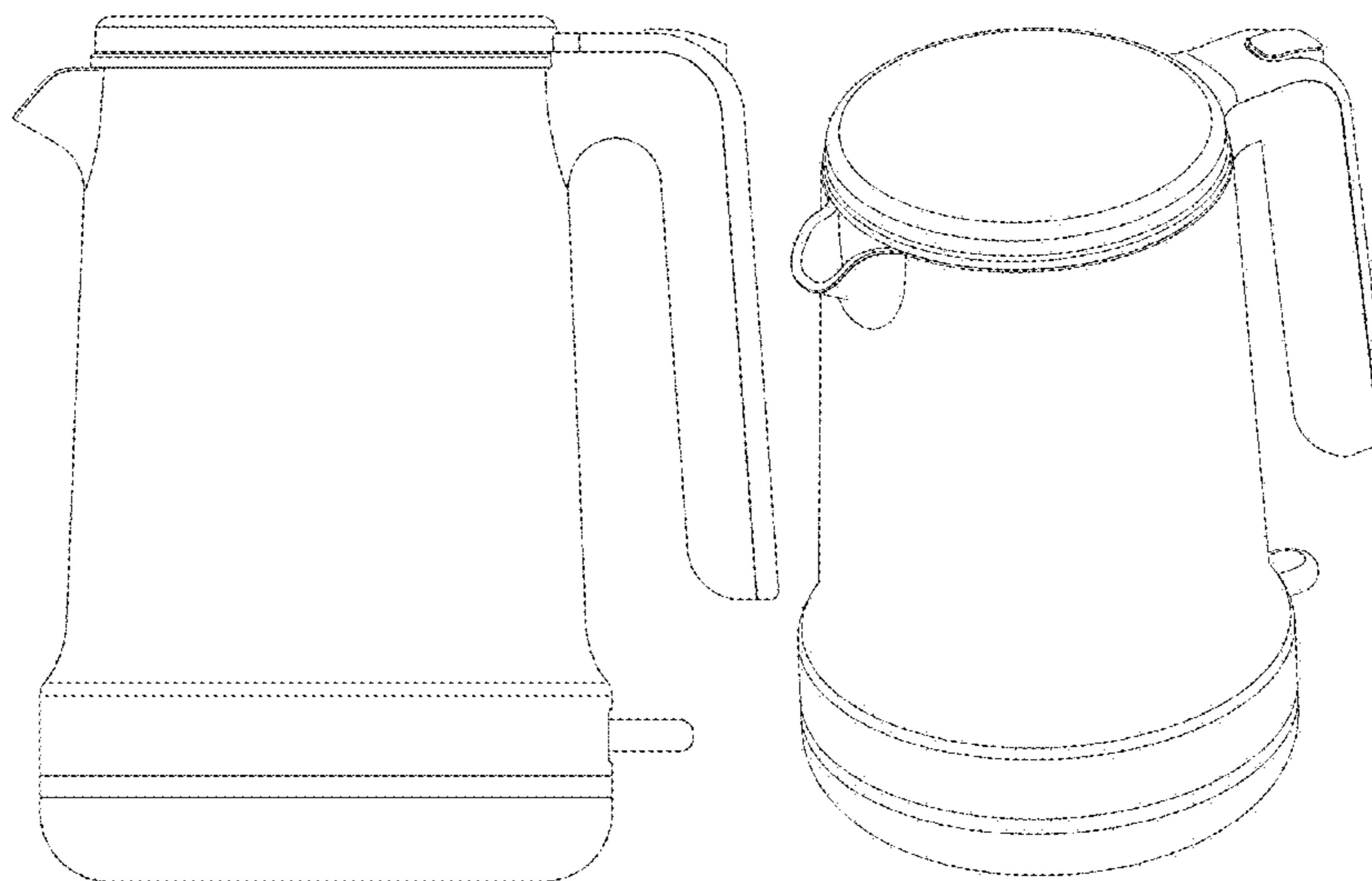
(57) **CLAIM**

The ornamental design for an electric kettle, as shown and described.

DESCRIPTION

- 1. Electric kettle
- 1.1 : Front
- 1.2 : Back
- 1.3 : Left
- 1.4 : Right
- 1.5 : Top
- 1.6 : Bottom
- 1.7 : Perspective

1 Claim, 7 Drawing Sheets



(56)

References Cited

U.S. PATENT DOCUMENTS

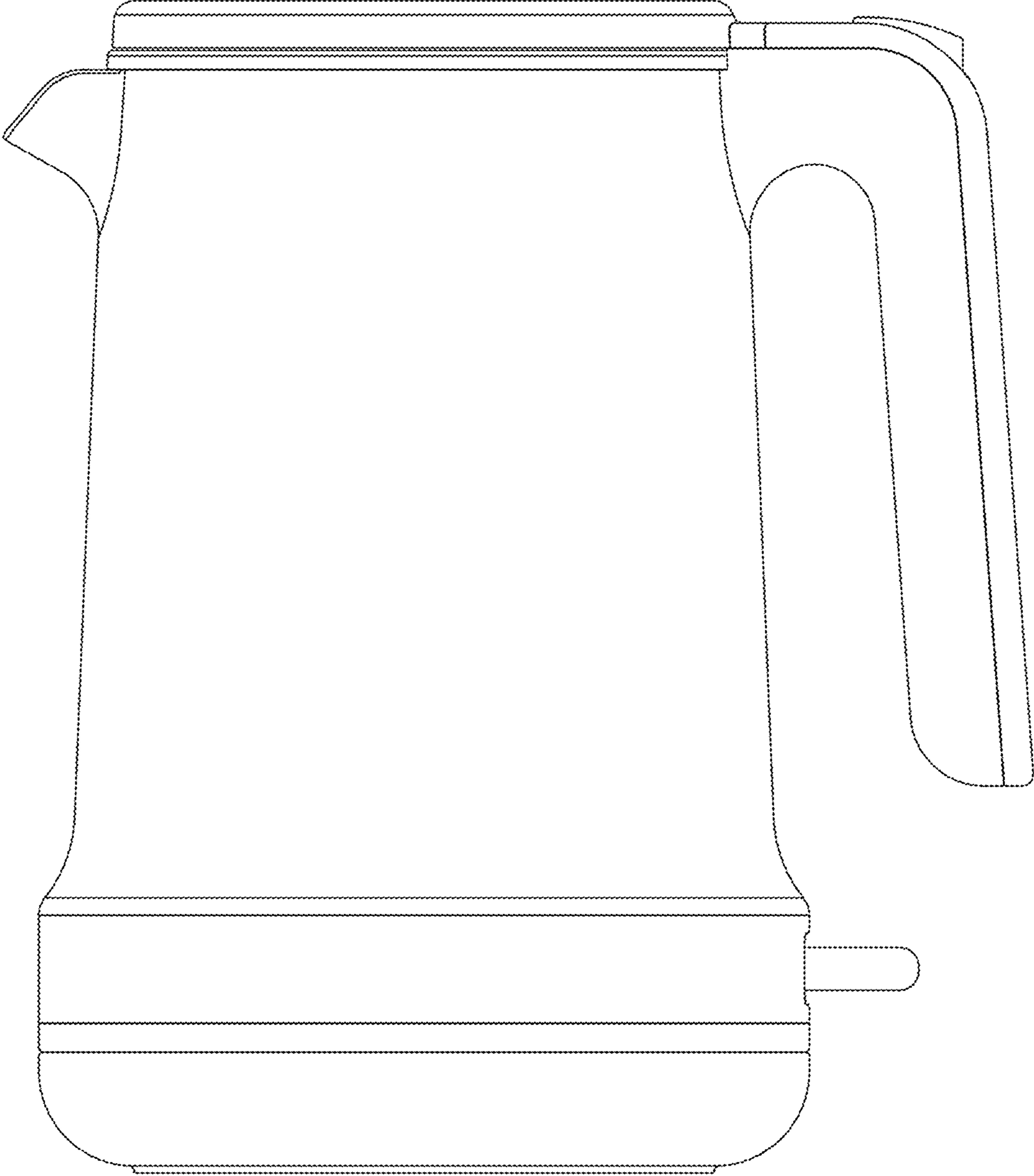
D817,063 S * 5/2018 Morton D7/318
D830,094 S * 10/2018 Barquin D7/318
D878,848 S * 3/2020 Hu A47J 27/21083
D7/317
D880,925 S * 4/2020 Saul A47J 36/10
D7/317
D880,926 S * 4/2020 Thun A47J 27/2105
D7/317
2005/0229788 A1* 10/2005 White A47J 36/10
99/323
2019/0104880 A1* 4/2019 Ghalambor Dezfuli
A47J 27/2105

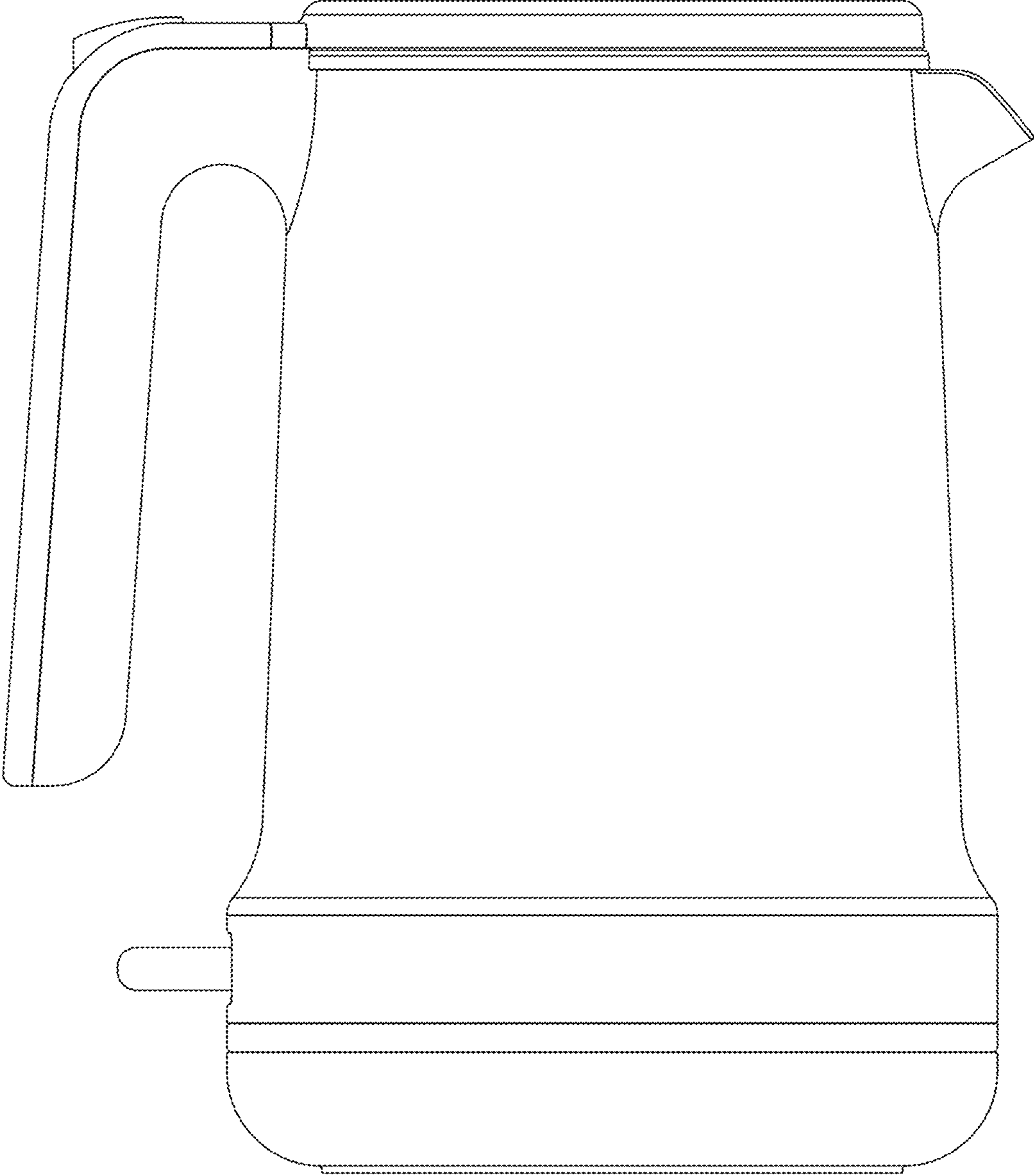
OTHER PUBLICATIONS

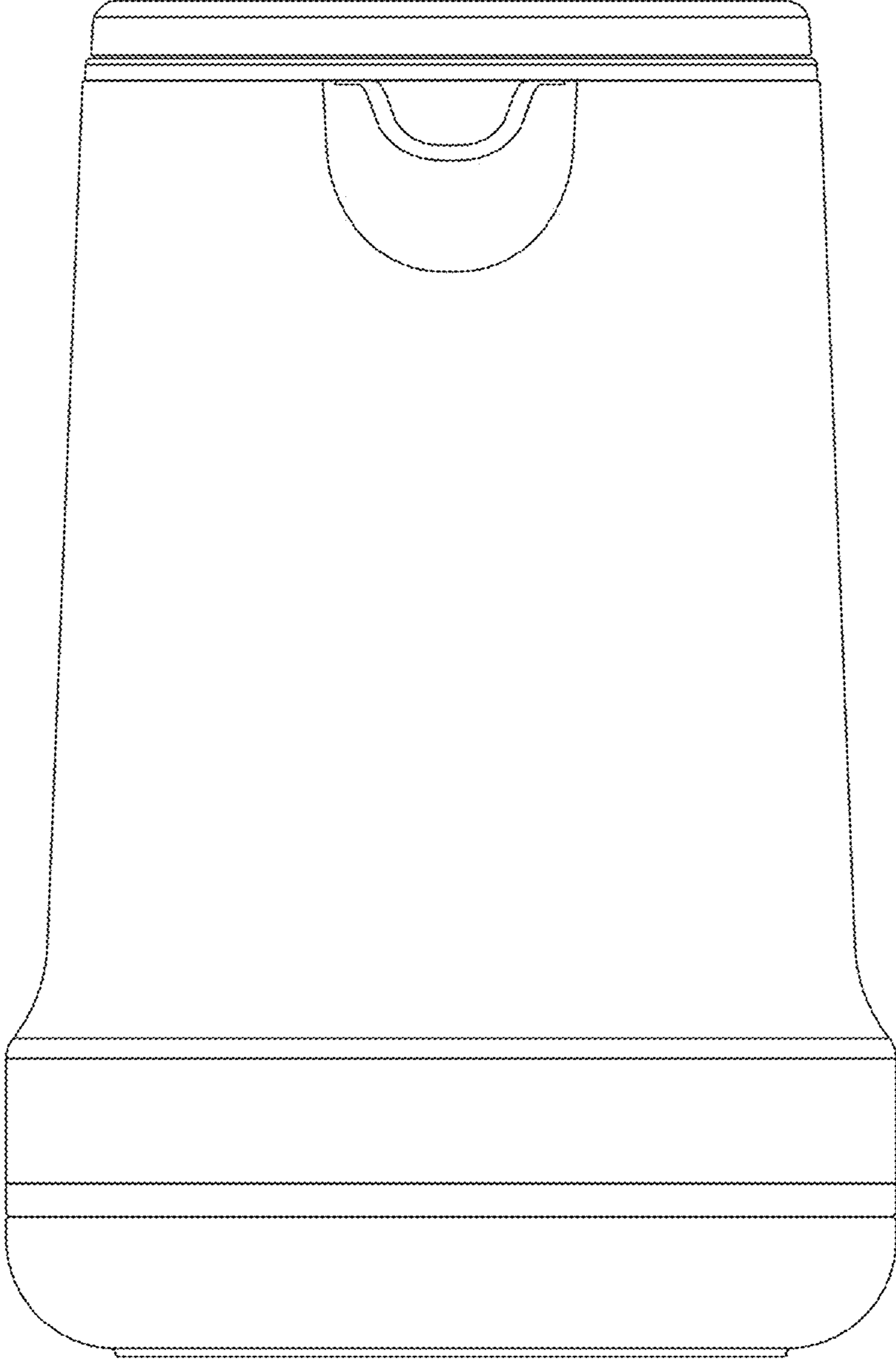
Gevi, Dec. 22, 2020, found on Dec. 14, 2021 at ZW5jcnlwdGVk
UXVhbGlmaWVyPUE1RDJCVUtVTkVGMTAmZW5jcnlwdGVk
SWQ9QTAwODAxMjAzRIITVzdNNklwSUI5JmVuY3J5cHRIZE
FkSWQ9QTA4NjE5ODcyMjdXR1JZR0laRExNjndpZGdldE5hbW
U9c3BfZGV0YWIsMiZhY3Rpb249Y2xpY2tSZWRpcmVjdCZkb
05vdExvZ0NsaWNrPXRydWU (Year: 2020).*

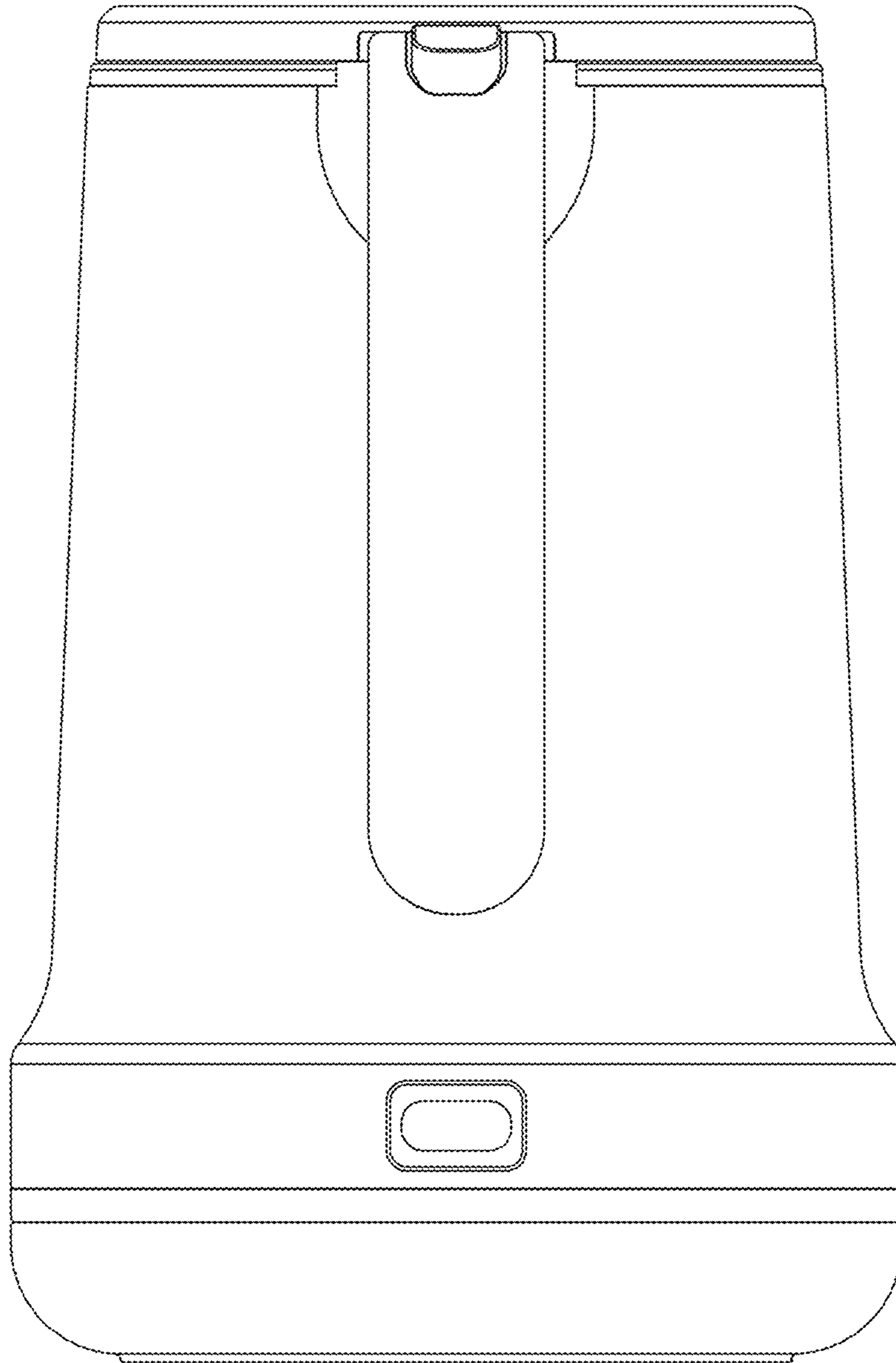
Zwilling, Dec. 11, 2020, found on Dec. 14, 2021 at https://www.amazon.com/dp/B08NCJ5W4P/ref=sspa_dk_detail_1?psc=1&pd_rd_w=tFbWC&pf_rd_p=54ed5474-54a8-4c7f-a88a- (Year: 2020).*

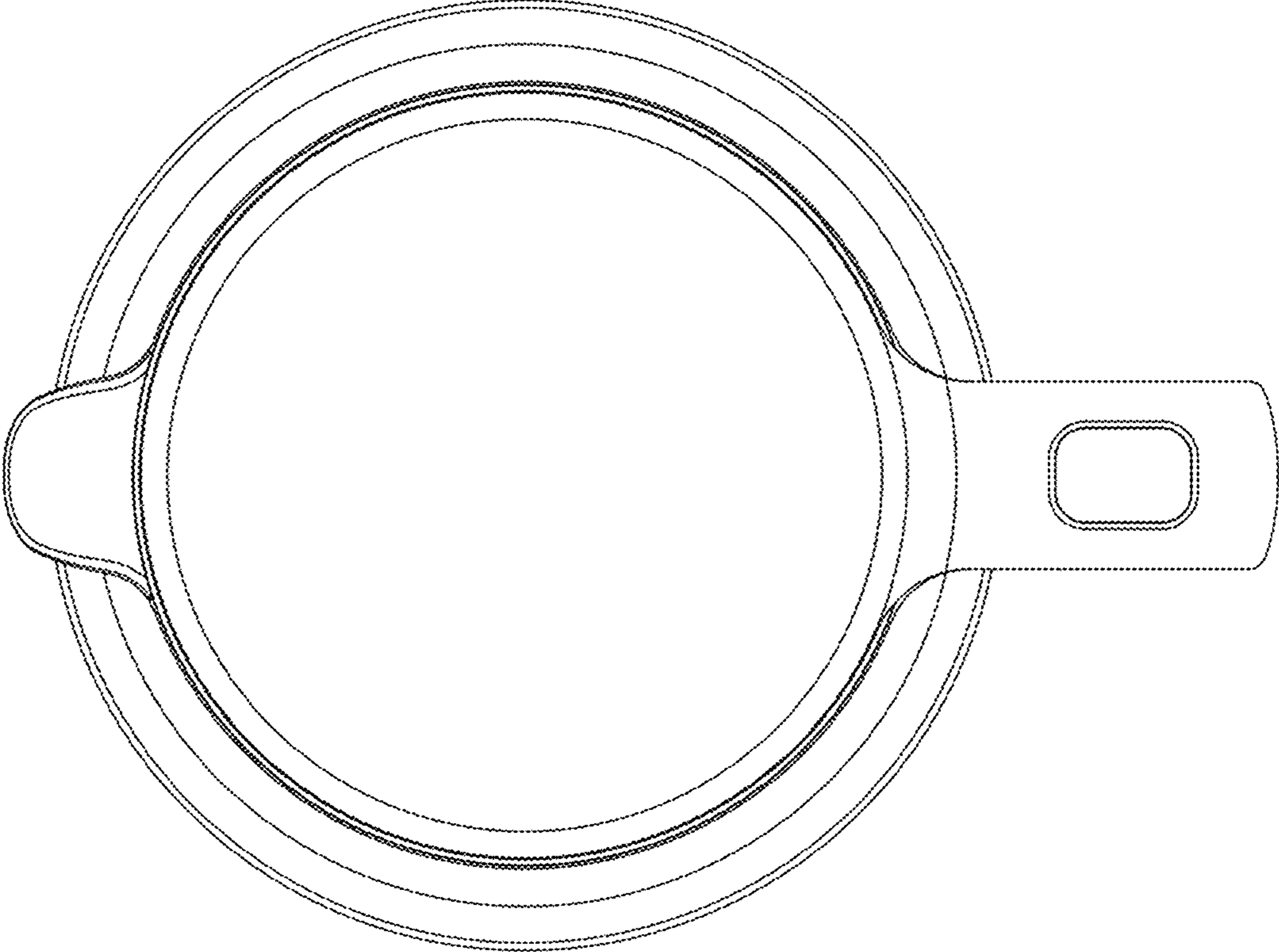
* cited by examiner











1.6

