



US00D961980S

(12) **United States Design Patent** (10) **Patent No.:** **US D961,980 S**
Symons (45) **Date of Patent:** **** Aug. 30, 2022**

(54) **JUG**
(71) Applicant: **Dominic Symons**, Singapore (SG)
(72) Inventor: **Dominic Symons**, Singapore (SG)
(**) Term: **15 Years**
(21) Appl. No.: **29/823,876**
(22) Filed: **Jan. 20, 2022**
(51) **LOC (13) Cl.** **07-01**
(52) **U.S. Cl.**
USPC **D7/318; D7/413**
(58) **Field of Classification Search**
USPC D7/317, 318, 321, 323, 326, 354, 372,
D7/376-386, 412-413, 602, 629,
D7/665-666, 669, 679, 693-694
CPC A21C 1/02; A21C 1/04; A23N 1/00; A23N
1/02; A47J 43/04; A47J 43/25; A47J
43/27; A47J 43/28; A47J 43/042; A47J
43/044; A47J 43/046; A47J 43/075; A47J
43/0716; A47J 43/0722; A47J 43/0727;
B01F 3/00; B01F 3/0807; B01F 3/0853;
B01F 13/0059; B01F 13/0064; B02C
1/08; B02C 2/04; B02C 4/42; B02C
4/142; B02C 4/143; B02C 4/423; B02C
13/1835; B28C 5/10; B28C 5/12; B28C
5/14; B28C 5/16
See application file for complete search history.

(56) **References Cited**
U.S. PATENT DOCUMENTS
D25,387 S 4/1896 Higgins
D37,098 S 8/1904 Haviland
D398,474 S 9/1998 Wagner
D531,445 S 11/2006 Bodum
D548,510 S 8/2007 Huang
D602,304 S * 10/2009 Elissen D7/376
D626,778 S 11/2010 Bell
D630,463 S 1/2011 Picozza

D633,324 S * 3/2011 Mondragon D7/317
D646,522 S * 10/2011 Collinson D7/378
D648,592 S 11/2011 Bodum
D663,567 S 7/2012 Littmann
D726,485 S * 4/2015 Mullen D7/319
8,997,733 B2 4/2015 McLean
D731,226 S * 6/2015 Sun D7/316
D738,669 S * 9/2015 Brook D7/317
D749,353 S * 2/2016 De'Longhi D7/376
D752,911 S * 4/2016 Bazzicalupo D7/322
D786,697 S 5/2017 Dytchkowskyj
D788,511 S * 6/2017 Powell D7/318
D789,726 S 6/2017 Adeloju
D790,900 S 7/2017 Karussi
D794,991 S 8/2017 Vazin
(Continued)

OTHER PUBLICATIONS

Cochivh Fast Boiling Hot Water Kettle. Date Reviewed on Amazon.
com Dec. 30, 2021. <https://www.amazon.com/dp/B09PG3HT88/ref>
(Year: 2021).*
(Continued)

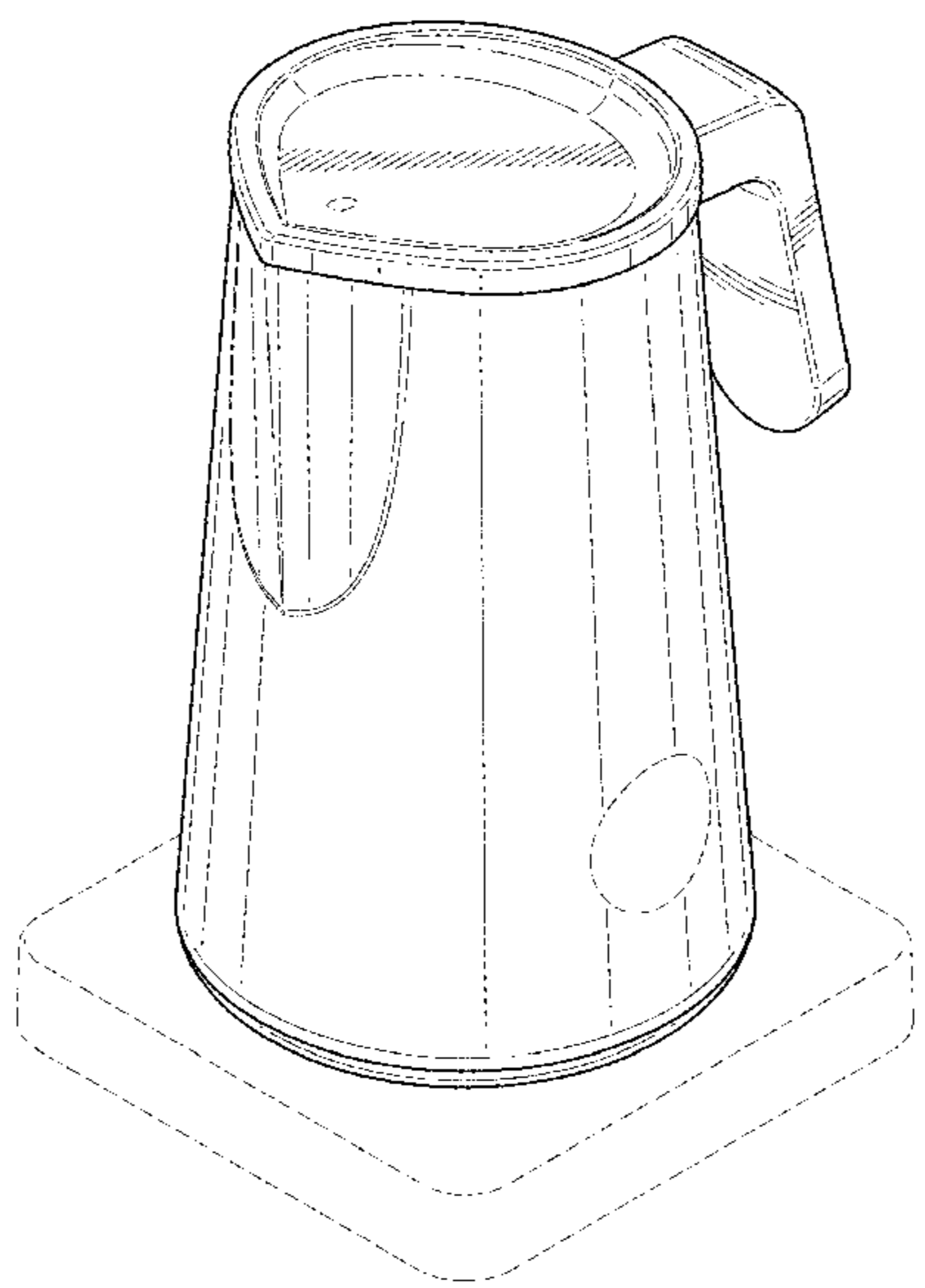
Primary Examiner — Ricky Pham
(74) *Attorney, Agent, or Firm* — Todd R. Miller

(57) **CLAIM**
The ornamental design for a jug, as shown and described.

DESCRIPTION

FIG. 1 is a perspective view of a jug showing my new design;
FIG. 2 is a left side view thereof;
FIG. 3 is a front view thereof;
FIG. 4 is a right side view thereof;
FIG. 5 is a rear view thereof;
FIG. 6 is a top view thereof; and,
FIG. 7 is a bottom view thereof.
The broken lines in the drawing depict portions of the jug
that form no part of the claimed design.

1 Claim, 6 Drawing Sheets



(56)

References Cited

U.S. PATENT DOCUMENTS

D794,993 S 8/2017 Hand
D796,247 S * 9/2017 Bazzicalupo D7/322
D817,063 S * 5/2018 Morton D7/318
D817,064 S 5/2018 Samartgis
D830,759 S 10/2018 Vu
D835,447 S 12/2018 Wall
D842,634 S 3/2019 deBretton Gordon
D851,993 S 6/2019 Montague
D878,848 S 3/2020 Hu
D880,926 S * 4/2020 Thun D7/317
D950,294 S * 5/2022 Thun D7/318

OTHER PUBLICATIONS

thegardenhouse.net, Feb. 27, 2020, <https://www.thegardenhouse.net/shop/dining-tableware/acrylic-jugs-tumblers/acrylic-jug/> (10 pages).
ikea.com, Feb. 27, 2020, <https://www.ikea.com/us/en/p/mattlig-milk-frothing-jug-stainless-steel-50149843/> (5 pages).
amazon.com, Jan. 19, 2020, https://www.amazon.com/Electric-Coffee-Warmer-Heater-Warming/dp/B09HGPT7XX/ref=sr_1_3?keywords=chemex+warmer&qid=1642626376&sr=8-3 (11 pages).

* cited by examiner

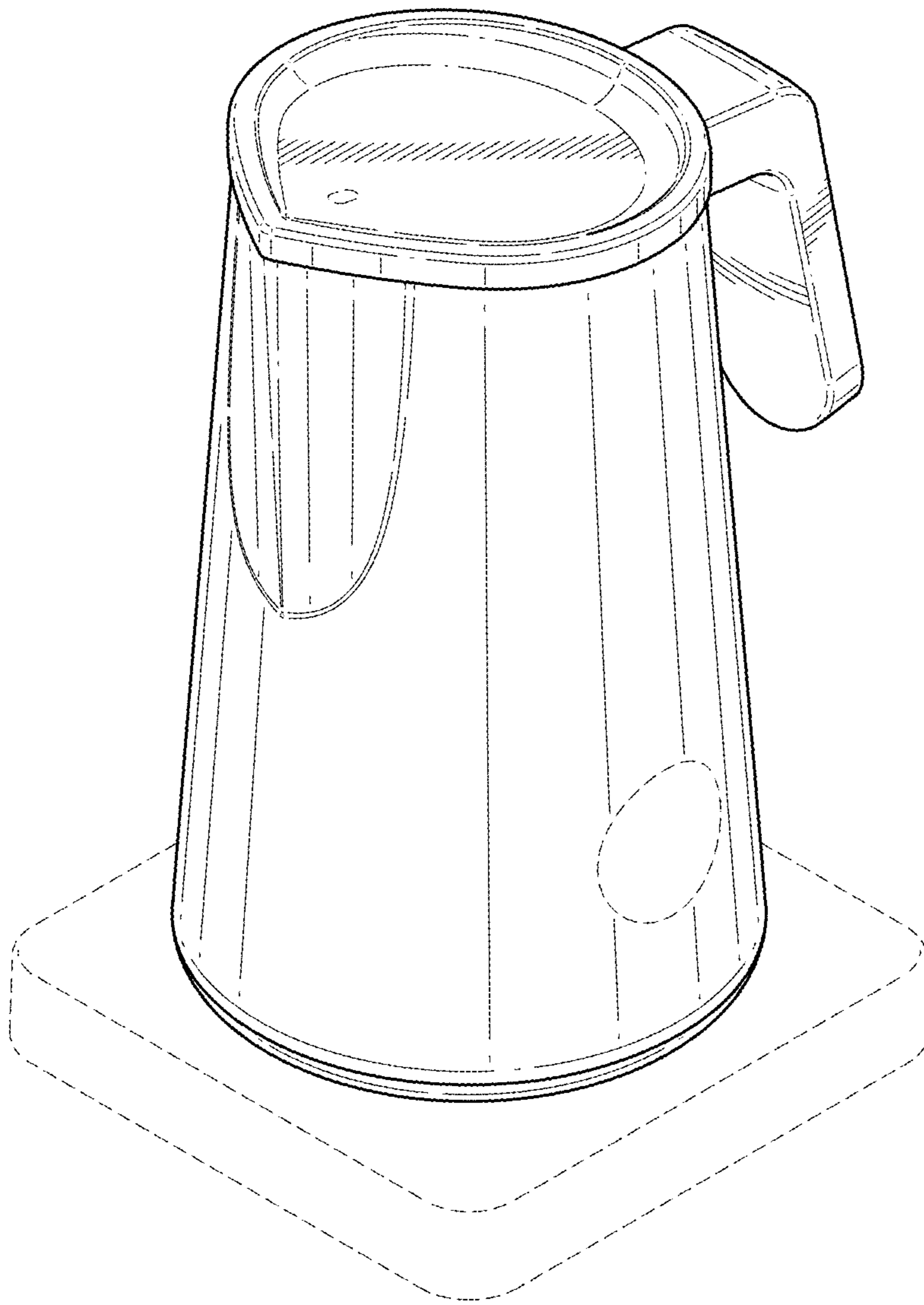


FIG. 1

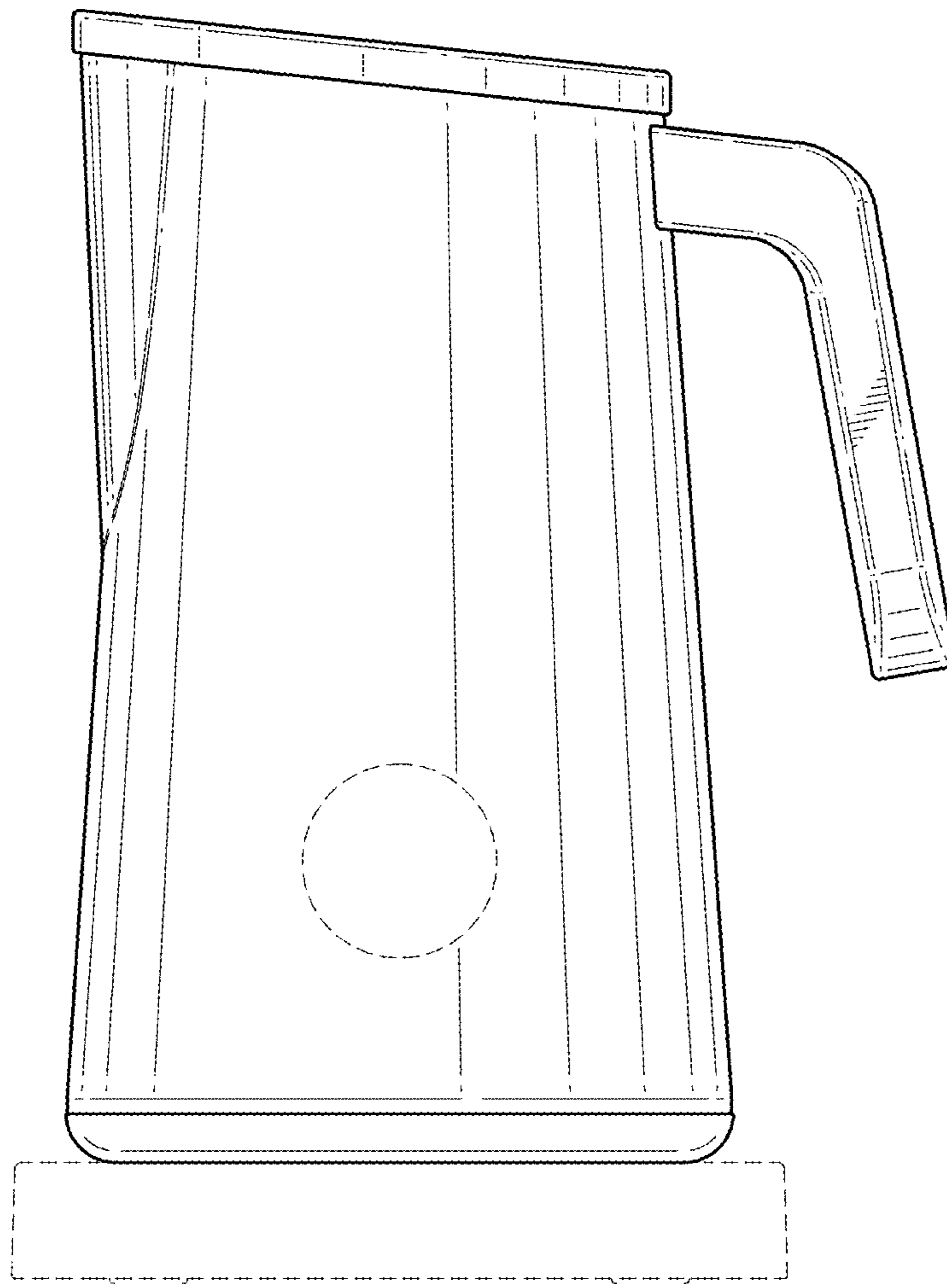


FIG. 2

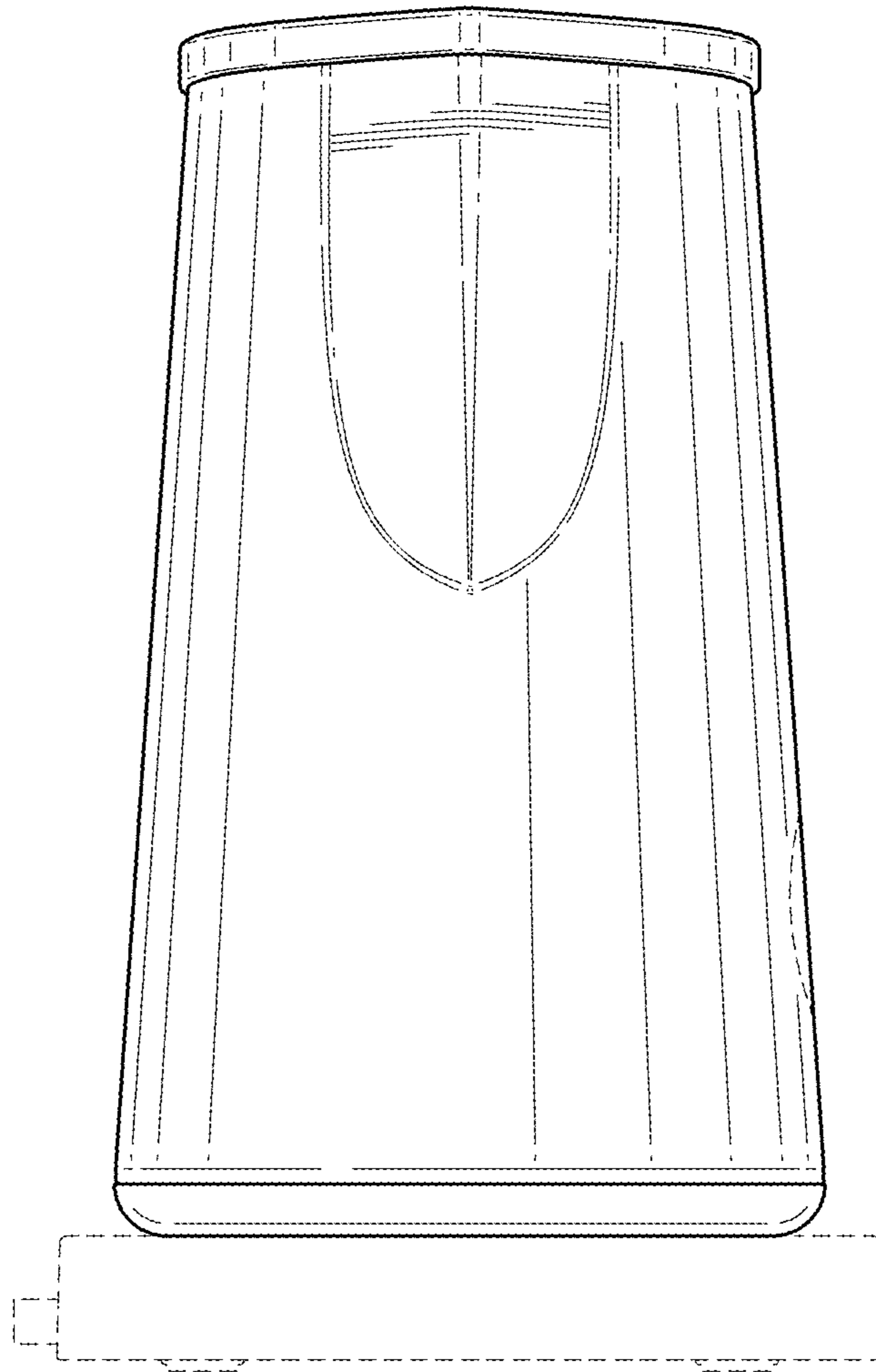


FIG. 3

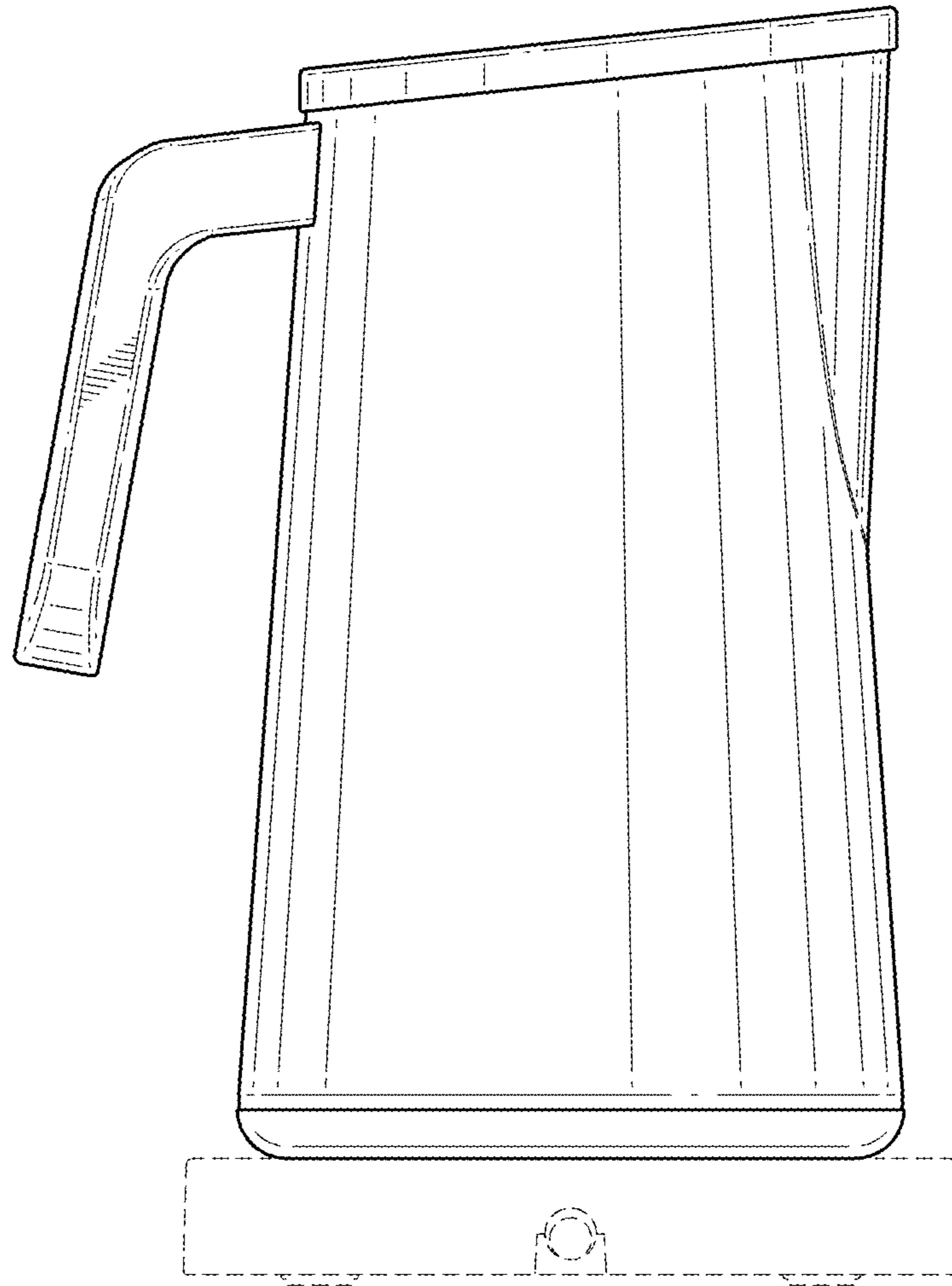


FIG. 4

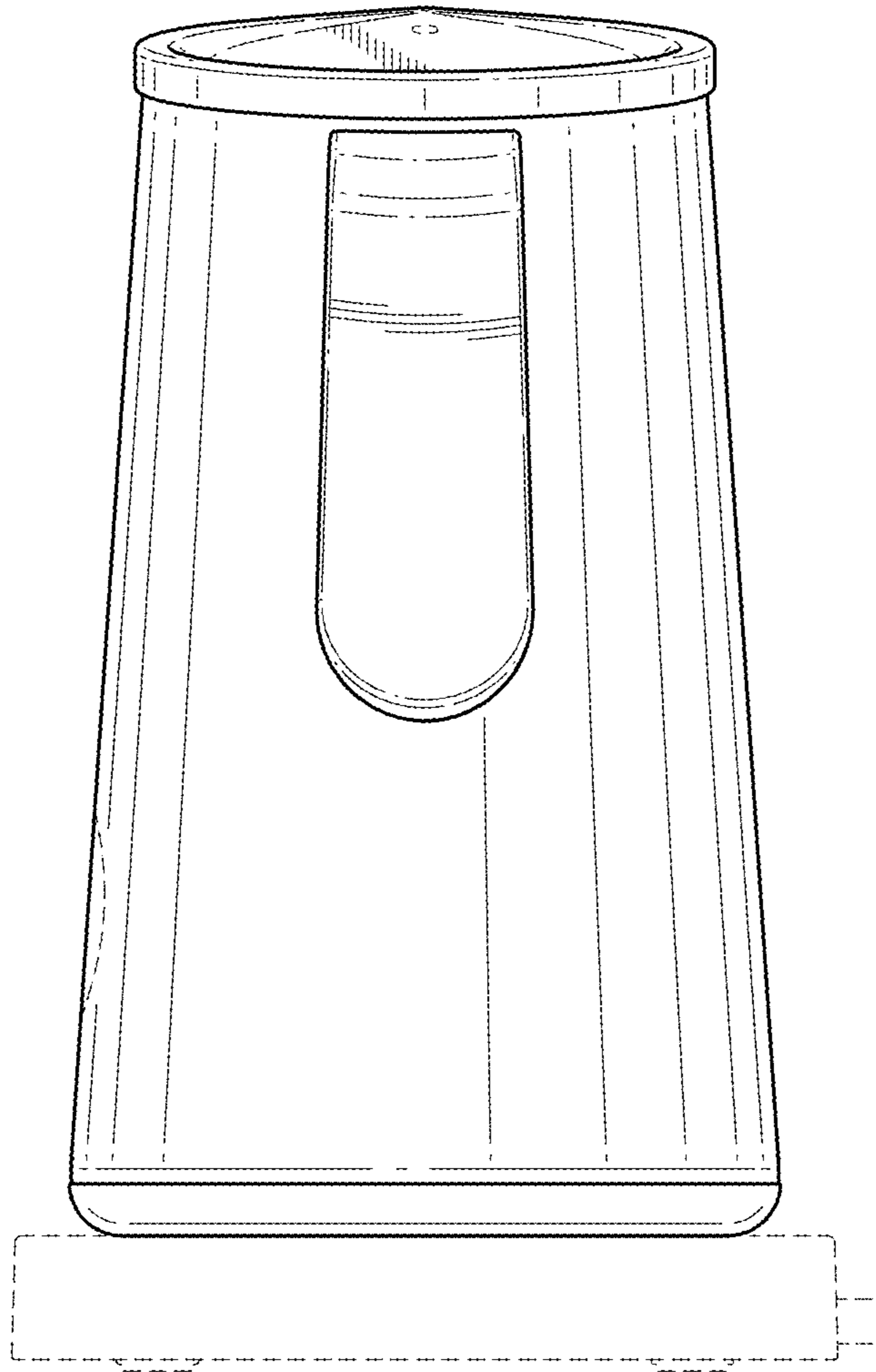


FIG. 5

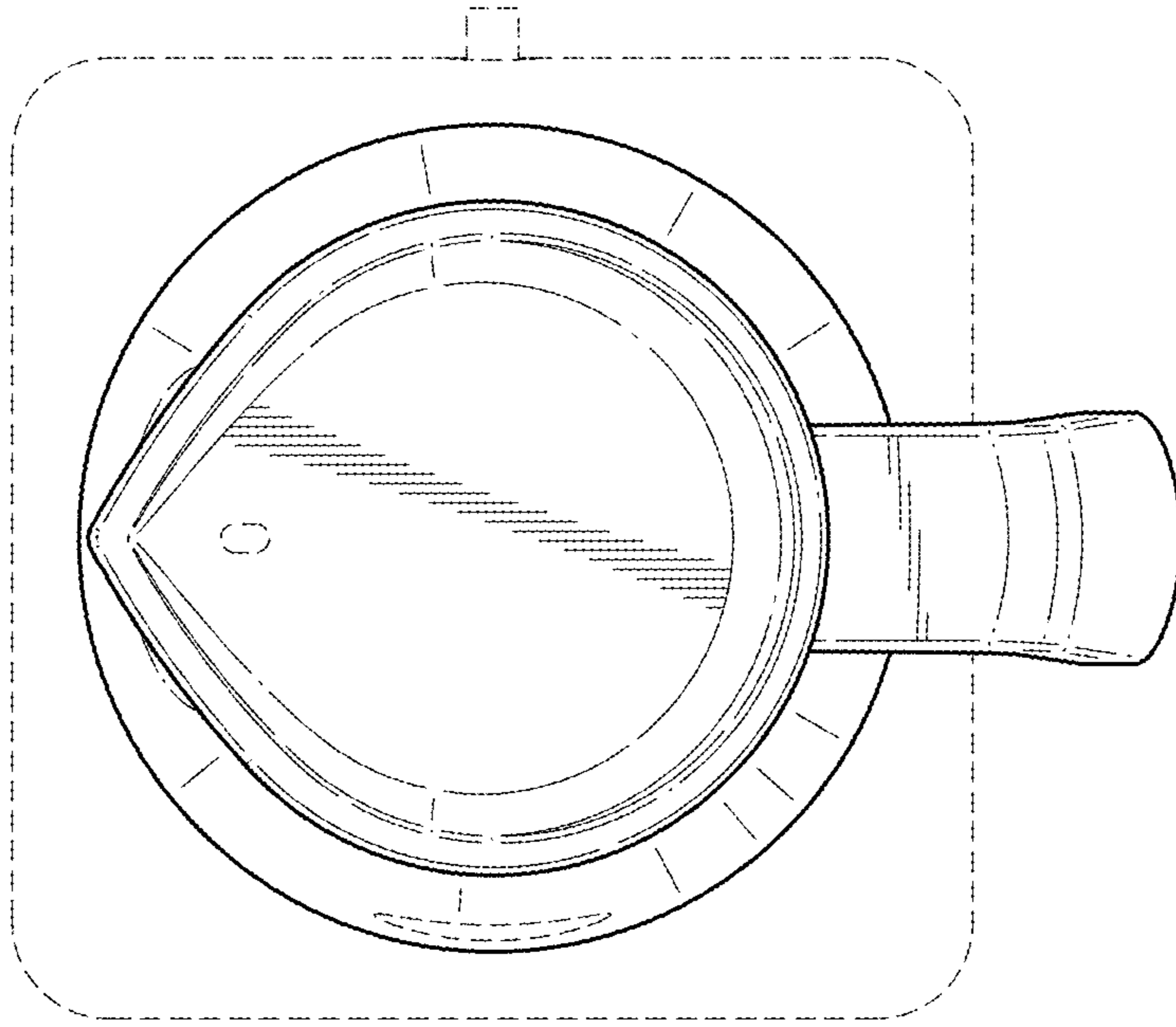


FIG. 6

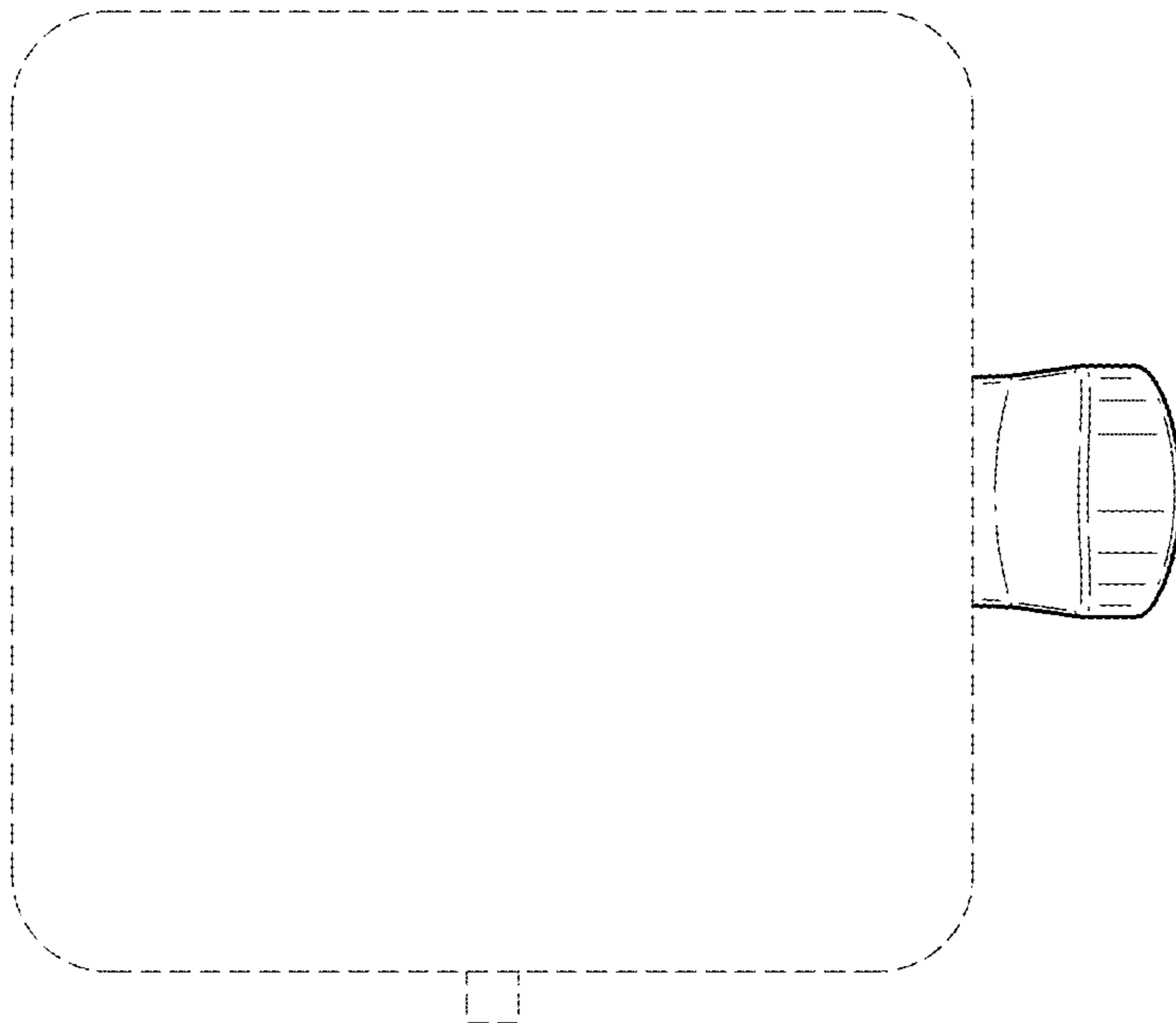


FIG. 7