



US00D961979S

(12) **United States Design Patent** (10) **Patent No.:** **US D961,979 S**
Zou (45) **Date of Patent:** **** Aug. 30, 2022**

(54) **WATER PITCHER**
(71) Applicant: **Qingdao Ecopure Filter Co., Ltd,**
Qingdao (CN)
(72) Inventor: **Zhibin Zou,** Qingdao (CN)
(**) Term: **15 Years**
(21) Appl. No.: **29/720,044**
(22) Filed: **Jan. 9, 2020**
(51) **LOC (13) Cl.** **07-01**
(52) **U.S. Cl.**
USPC **D7/318**
(58) **Field of Classification Search**
USPC D7/300, 300.1, 301-303, 312-321, 376,
D7/378, 393-395, 396.1, 396.2, 397-401,
D7/413, 598, 600, 601, 602, 619.1, 622,
D7/629, 709; D23/207, 209; 210/282
CPC A45F 3/16; A47G 19/12; A47G 19/127;
A47G 19/14; A47G 19/16; A47G 19/22;
A47G 19/30; A47G 2019/122; A47J
27/21; A47J 27/21008; A47J 27/2105;
A47J 27/21058; A47J 27/21083; A47J
27/21183; A47J 27/21191; A47J 31/005;
A47J 31/0642; A47J 31/54
See application file for complete search history.

D869,892 S * 12/2019 Zou D7/318
D871,820 S * 1/2020 Zou D7/318
D882,322 S * 4/2020 Anderson D7/317
D883,727 S * 5/2020 Samartgis D7/317
D891,168 S * 7/2020 Zou D7/319

OTHER PUBLICATIONS

ZeroWater 6 Cup Water Filter Pitcher with Water Quality Meter, first available Sep. 19, 2012, Amazon, [online], [site visited Jun. 2, 2021], Available from internet URL: <https://www.amazon.com/dp/B009DAU1NE> (Year: 2012).*
Water Pitcher, Qingdao Ecopure Filter Co. Ltd., [online], [site visited May 24, 2021], Available from internet URL: <https://www.ecpwaterfilter.com/collections/products/products/water-pitcher-200gallons-smart-indicator-nsf42-372-5-cup-capacity-by-iso9001-certified-manufacturer> (Year: 2021).*
Waterdrop Elfin 5-Cup Water Filter Pitcher, Amazon, [online], [site visited Jun. 2, 2021], Available from internet URL: https://www.amazon.com/dp/B081Q5365W/ref=emc_b_5_i?th=1 (Year: 2021).*

* cited by examiner

Primary Examiner — Mary Ann Calabrese
Assistant Examiner — Natalya M Rapundalo

(57) **CLAIM**

The ornamental design for a water pitcher, as shown and described.

DESCRIPTION

FIG. 1 is a front elevational view of a water pitcher showing my new design;
FIG. 2 is a rear elevational view thereof;
FIG. 3 is a left side view thereof;
FIG. 4 is a right side view thereof;
FIG. 5 is a top plan view thereof;
FIG. 6 is a bottom plan view thereof; and,
FIG. 7 is a perspective view thereof.
The broken lines in the drawing depict portions of the water pitcher that form no part of the claimed design.

1 Claim, 7 Drawing Sheets

(56) **References Cited**

U.S. PATENT DOCUMENTS

D173,455 S * 11/1954 Reinecke D7/317
D546,113 S * 7/2007 Ruoff D23/209
D668,094 S * 10/2012 Broen D7/319
D675,861 S * 2/2013 Gray D7/318
D677,360 S * 3/2013 Sheppard D23/209
D740,916 S * 10/2015 Doi D23/207
D772,635 S * 11/2016 Zhu D7/319
D798,643 S * 10/2017 Rummel D7/318
D801,100 S * 10/2017 Rummel D7/318
D815,482 S * 4/2018 Bell D7/318
D836,962 S * 1/2019 Shotey D7/312



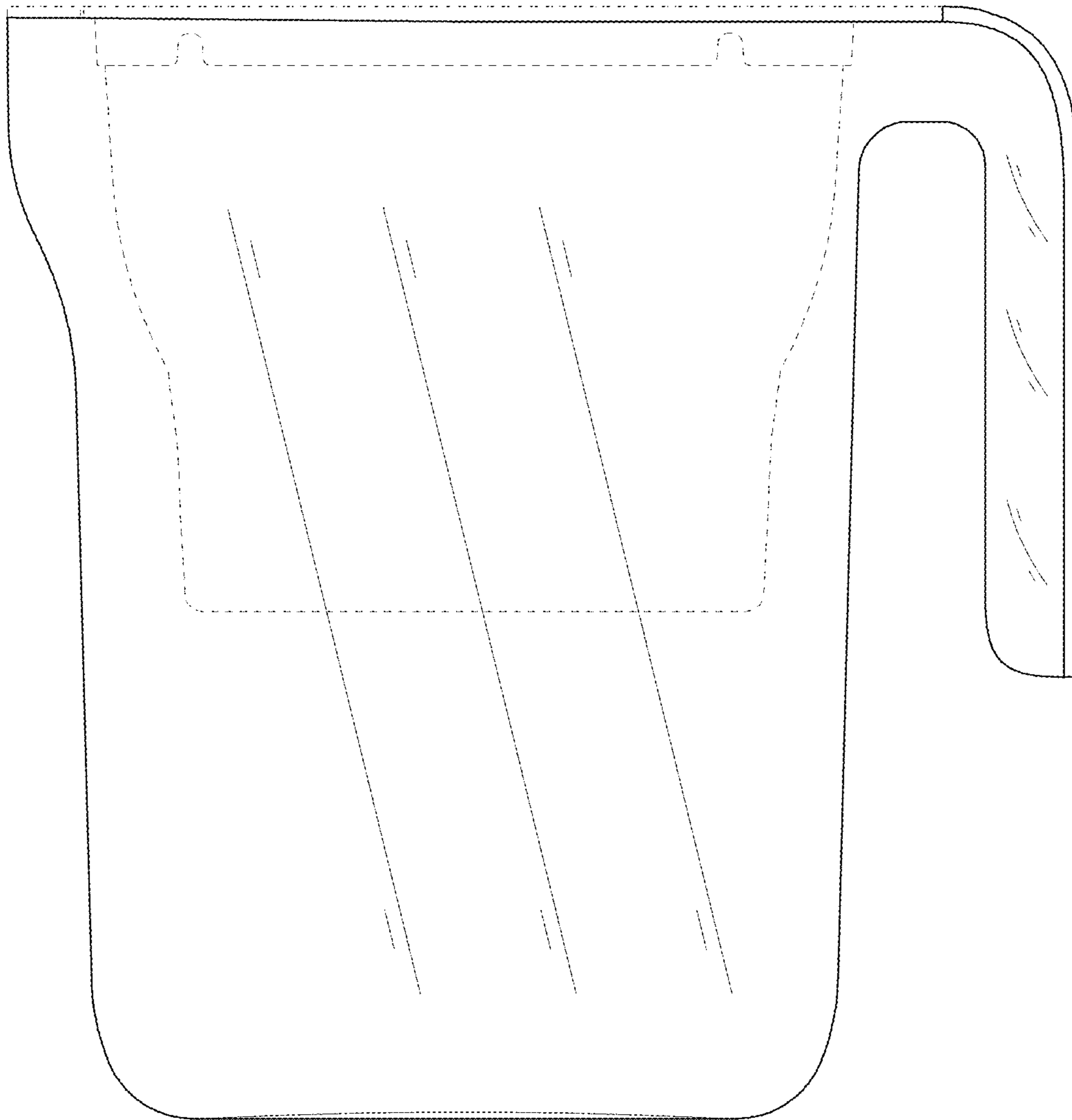


FIG. 1

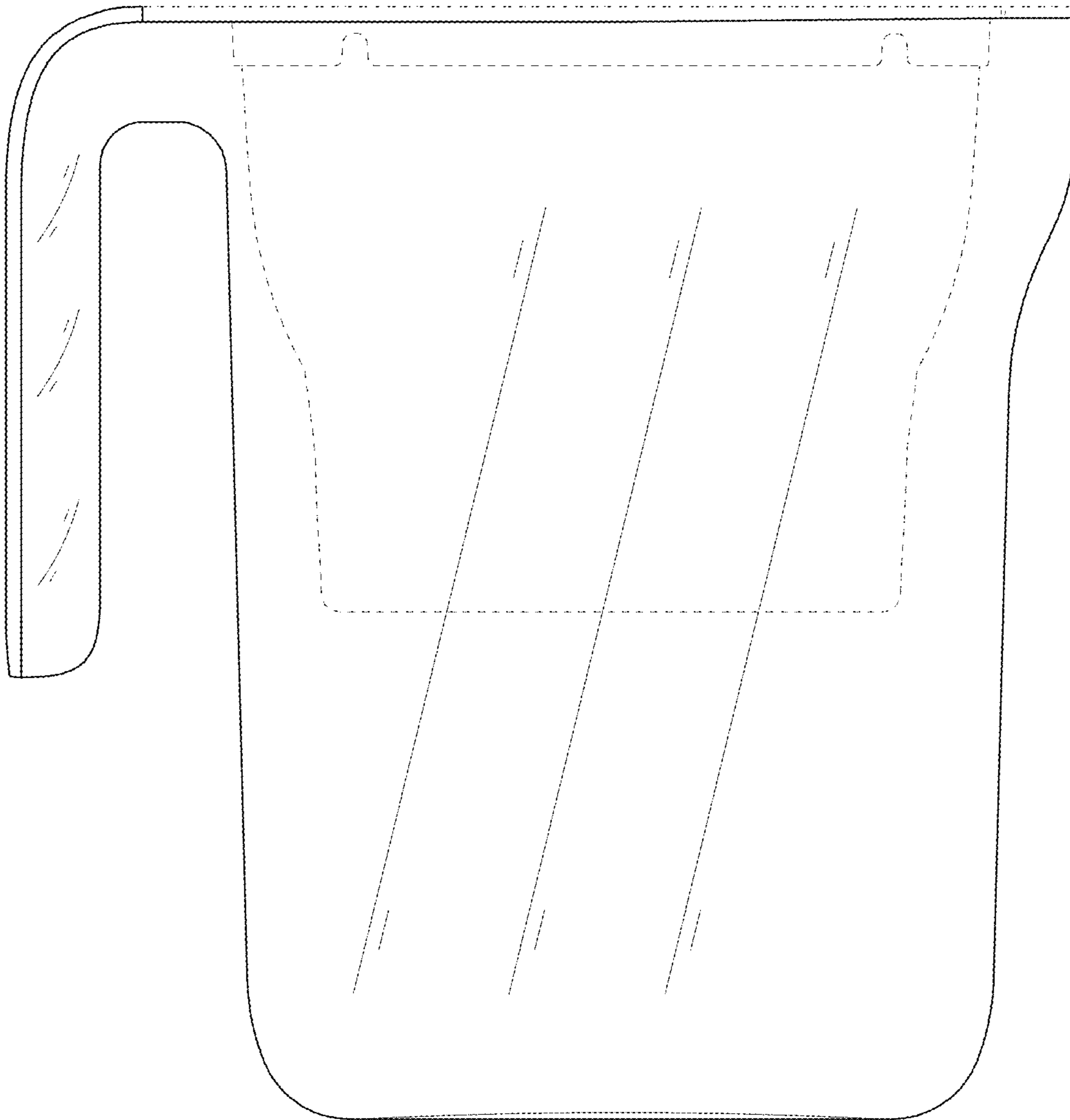


FIG. 2

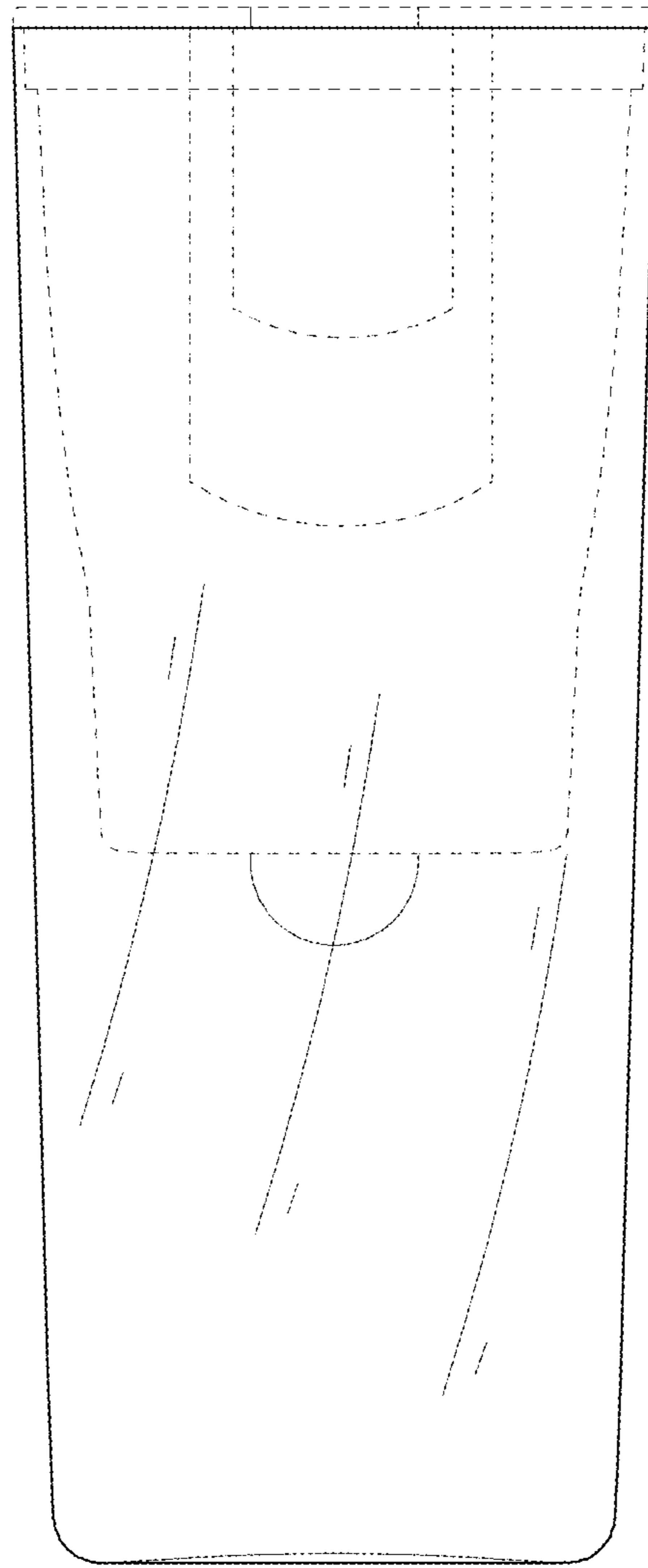


FIG. 3

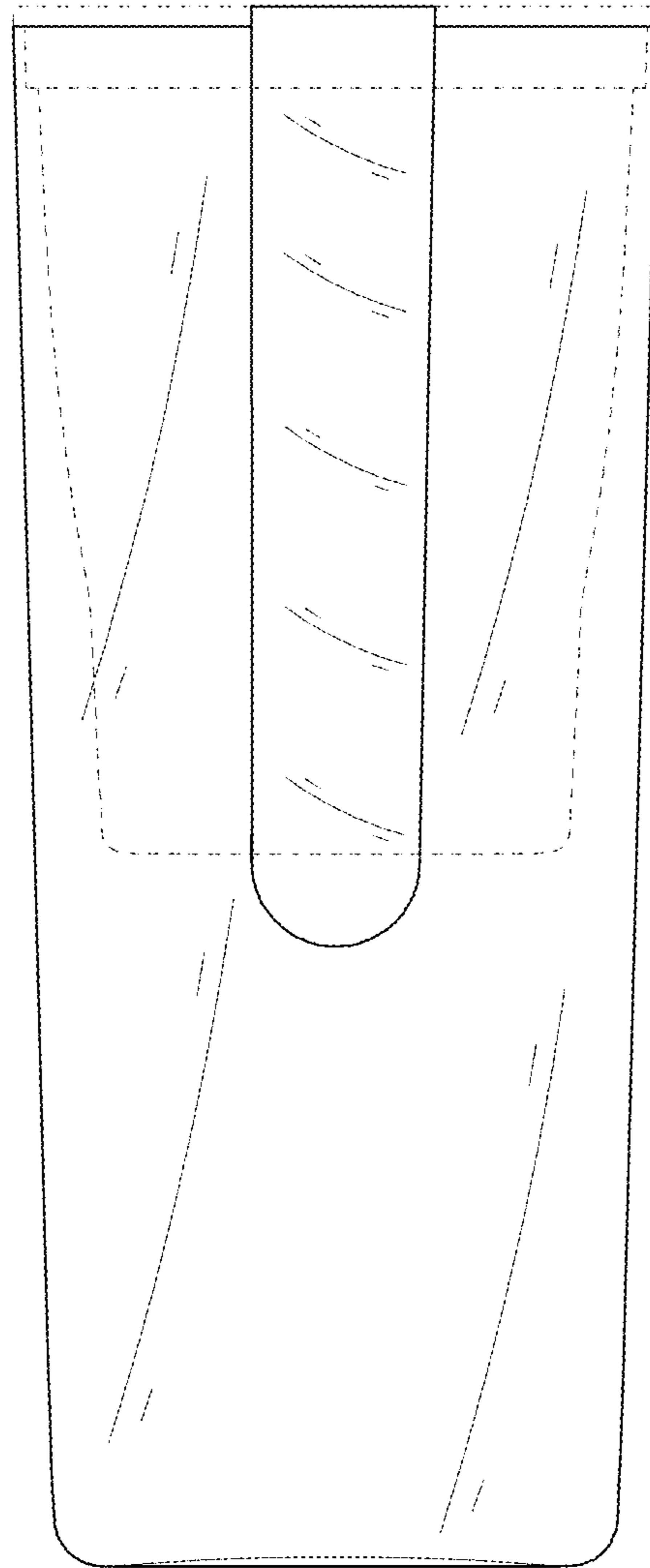


FIG. 4

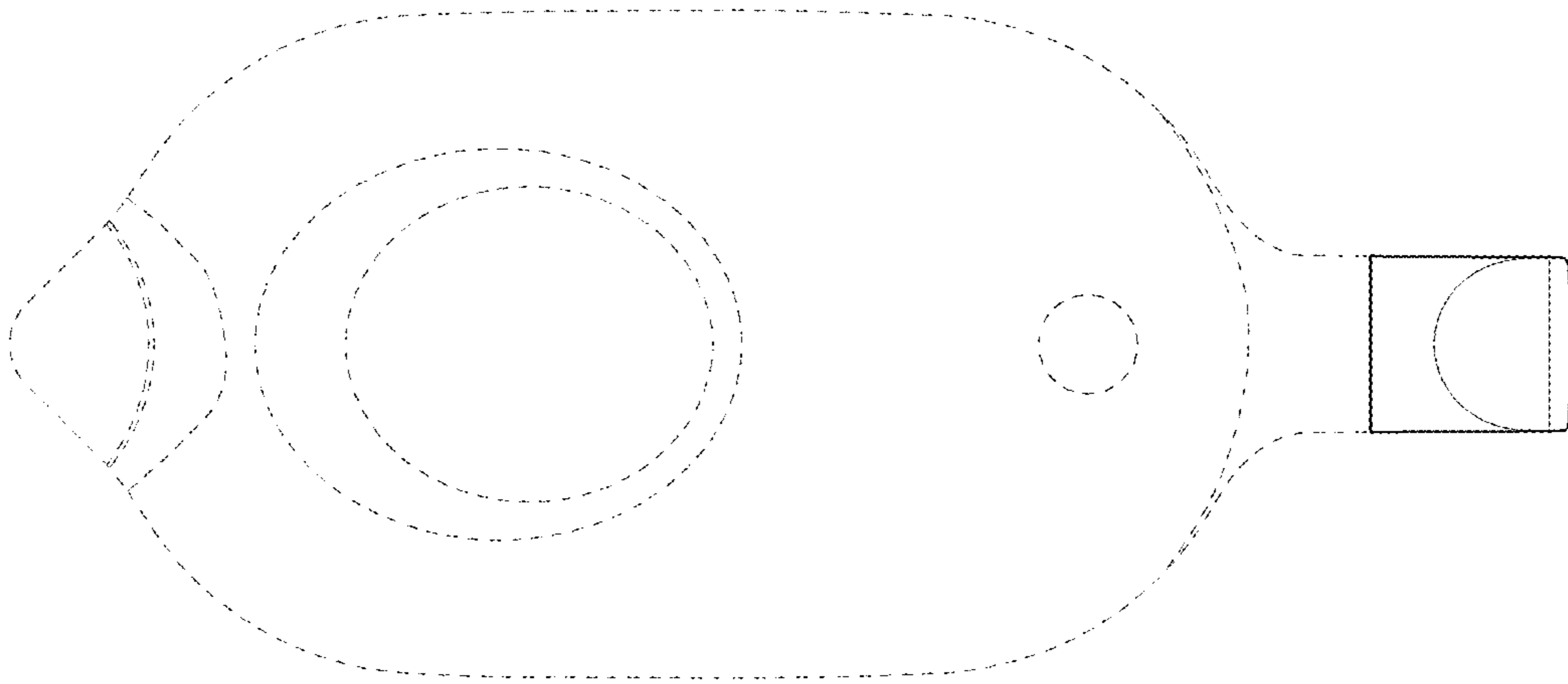


FIG. 5

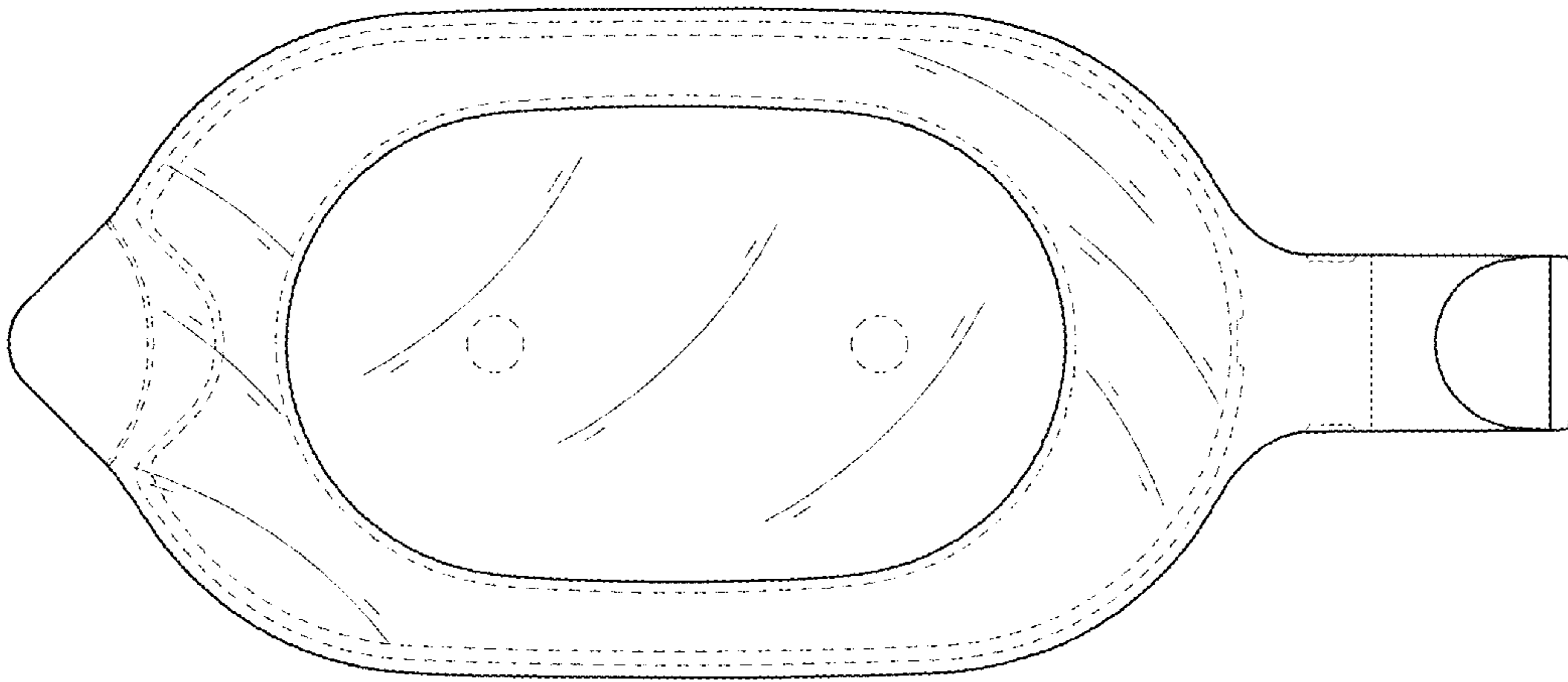


FIG. 6



FIG. 7