



US00D961978S

(12) **United States Design Patent** (10) **Patent No.:** **US D961,978 S**
Whateley et al. (45) **Date of Patent:** **** Aug. 30, 2022**

(54) **BEVERAGE DISPENSER**

(71) Applicant: **Anheuser-Busch InBev S.A.**, Brussels (BE)

(72) Inventors: **Tim Whateley**, Leicester (GB); **Craig Jones**, Leicester (GB); **Jonathan Ashbridge**, Leicester (GB)

(73) Assignee: **Anheuser-Busch InBev S.A.**

(**) Term: **15 Years**

(21) Appl. No.: **29/712,055**

(22) Filed: **Nov. 5, 2019**

(30) **Foreign Application Priority Data**

Nov. 4, 2019 (EM) 007183298-0001
Nov. 4, 2019 (EM) 007183298-0002
Nov. 4, 2019 (EM) 007183298-0003
Nov. 4, 2019 (EM) 007183298-0004

(51) **LOC (13) Cl.** **31-00**

(52) **U.S. Cl.**
USPC **D7/313; D34/39**

(58) **Field of Classification Search**

USPC D7/300-322, 378, 397-400, 602, 603, D7/700; D9/417, 447, 524-526, 530, D9/572, 575, 633; D15/81, 82; D20/1; D23/201, 205, 209; D24/216, 220, 224; D30/121, 132; D34/39; 99/275, 276
CPC A47J 31/00; A47J 31/007; A47J 31/057; A47J 31/10; A47J 31/3676; A47J 31/40; A47J 31/402; A47J 31/404; A47J 31/41; A47J 31/4482; A47J 31/4489; A47J 43/042; A47J 43/27; A47J 2043/04454; B67D 1/00; B67D 1/0004; B67D 1/0021; B67D 1/0078; B67D 1/0462; B67D 1/0801; B67D 1/0872; B67D 1/1252; B67D 2001/0087;

(Continued)

(56) **References Cited**

U.S. PATENT DOCUMENTS

D344,204 S * 2/1994 Dixon B67D 1/0801
D34/39
D555,967 S * 11/2007 Rasmussen B67D 1/0462
D7/306

(Continued)

OTHER PUBLICATIONS

Philips HD 3620/25 Perfect Draft Beer Dispenser, first available Apr. 24, 2014, Amazon, [online], [site visited Sep. 7, 2021], Available from internet URL: <https://www.amazon.com/philips-25-perfect-draft-dispenser/dp/b004gck1ie> (Year: 2014).*

(Continued)

Primary Examiner — Mary Ann Calabrese

Assistant Examiner — Natalya M Rapundalo

(74) *Attorney, Agent, or Firm* — McAndrews, Held & Malloy, Ltd.

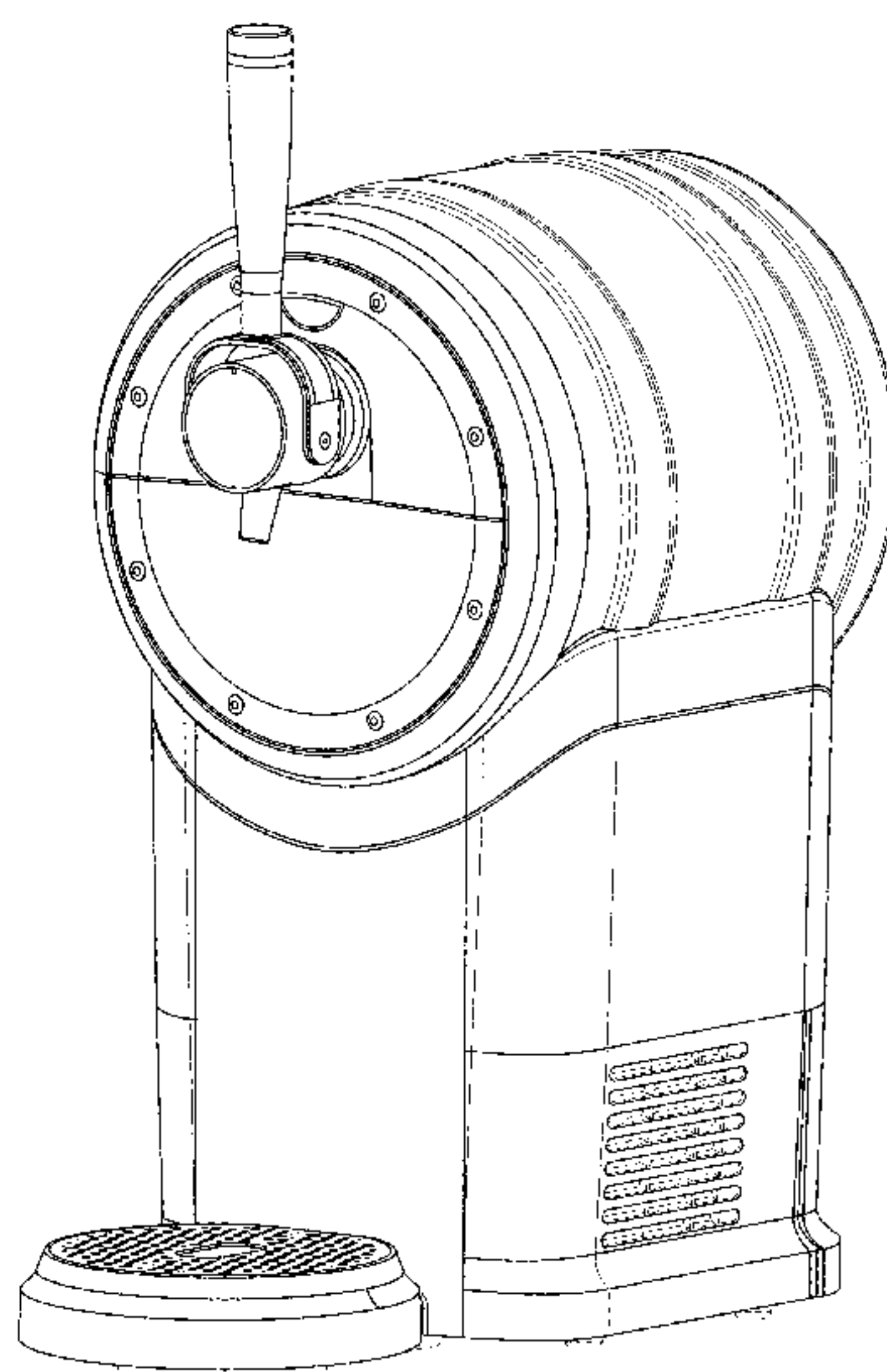
(57) **CLAIM**

The ornamental design for a beverage dispenser, as shown and described.

DESCRIPTION

FIG. 1 is a front perspective view of a beverage dispenser showing our new design;
FIG. 2 is a front elevation view thereof;
FIG. 3 is a rear elevation view thereof;
FIG. 4 is a left side elevation view thereof;
FIG. 5 is a right side elevation view thereof;
FIG. 6 is a top plan view thereof;
FIG. 7 is a bottom plan view thereof; and,
FIG. 8 is another front perspective view thereof, showing the drip tray removed.
The dashed broken lines in the figures illustrate portions of the beverage dispenser that form no part of the claimed design.

1 Claim, 8 Drawing Sheets



(58) **Field of Classification Search**

CPC B67D 2001/0098; B67D 2001/0822; B67D
 3/0032; B67D 3/0035; B67D 7/82; B67D
 7/84; C02F 1/002; C02F 1/003; C12C
 11/00; C12C 11/006; C12C 13/10

See application file for complete search history.

D742,156 S * 11/2015 Harris D7/306
 D828,064 S * 9/2018 McDonald D7/306
 D833,195 S * 11/2018 McDonald D7/306
 2016/0251606 A1* 9/2016 Peirsman B67D 1/0021
 99/277
 2021/0094817 A1* 4/2021 Qiao B67D 1/0801

(56) **References Cited**

U.S. PATENT DOCUMENTS

D583,609 S * 12/2008 Sluijter D7/306
 7,604,147 B2* 10/2009 Anderson B67D 1/0462
 222/105
 D615,340 S * 5/2010 Taggart D7/313
 D623,887 S * 9/2010 Kusch D7/313
 D716,094 S * 10/2014 Wang D7/306
 D720,173 S * 12/2014 Polakoff D7/306
 D730,673 S * 6/2015 Harris D7/306
 D731,225 S * 6/2015 Peterson D7/306

OTHER PUBLICATIONS

Design No. 300984773.0000, Nov. 10, 2017—Korean Intellectual
 Property Office Publication Date—Dec. 11, 2018 Owner—Lim
 Geun Man WIPO, available at [https://www3.wipo.int/designdb/en/
 index.jsp](https://www3.wipo.int/designdb/en/index.jsp) (Year: 2018).*
 SUB Home Tap Draft Beer Machine, first available Aug. 27, 2019,
 Amazon, [online], [site visited Sep. 7, 2021], Available from
 internet URL: [https://www.amazon.com/Hopsy-SUB-Home-Tap/dp/
 B07X5TYX1X](https://www.amazon.com/Hopsy-SUB-Home-Tap/dp/B07X5TYX1X) (Year: 2019).*

* cited by examiner

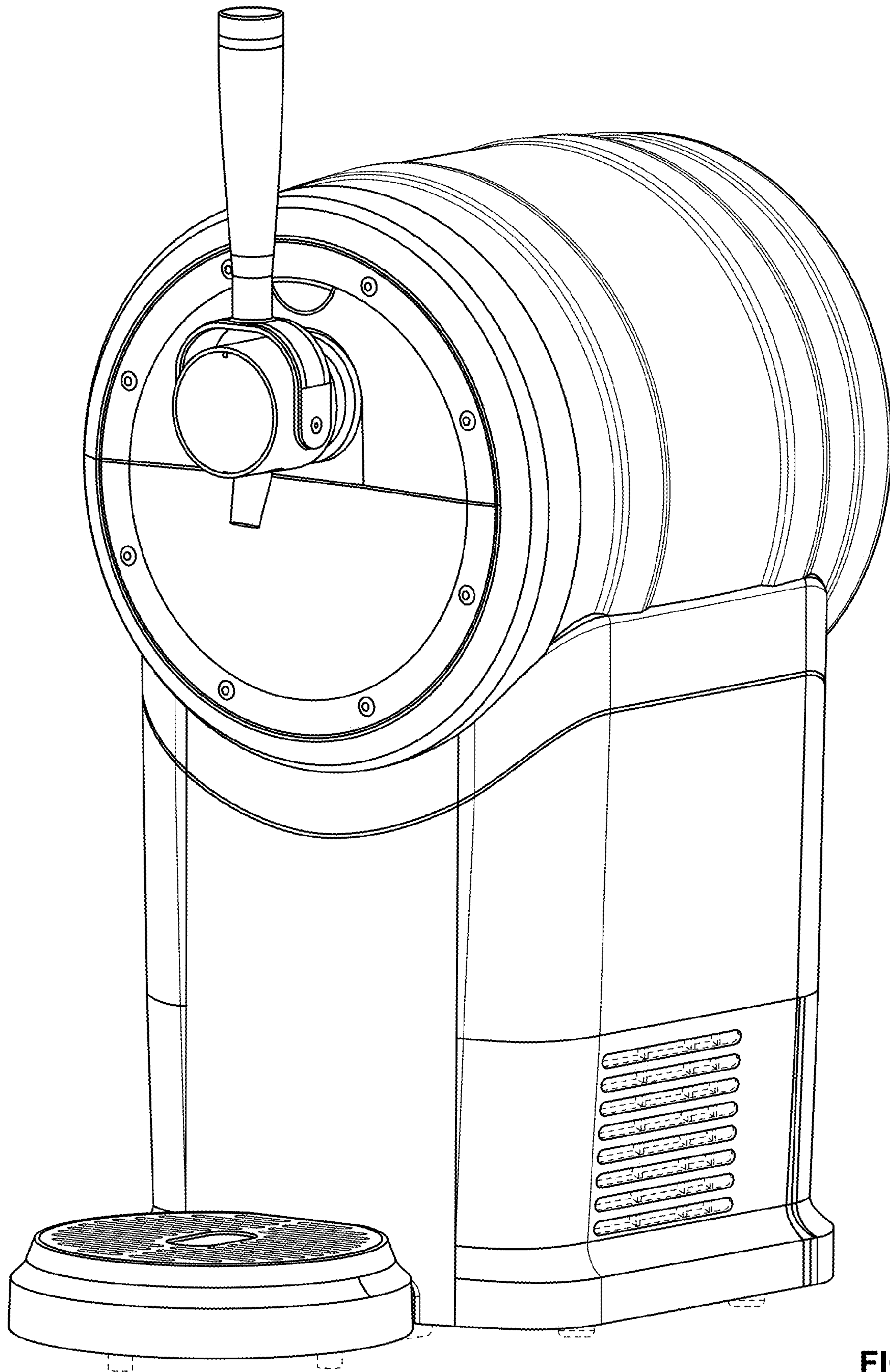


FIG. 1

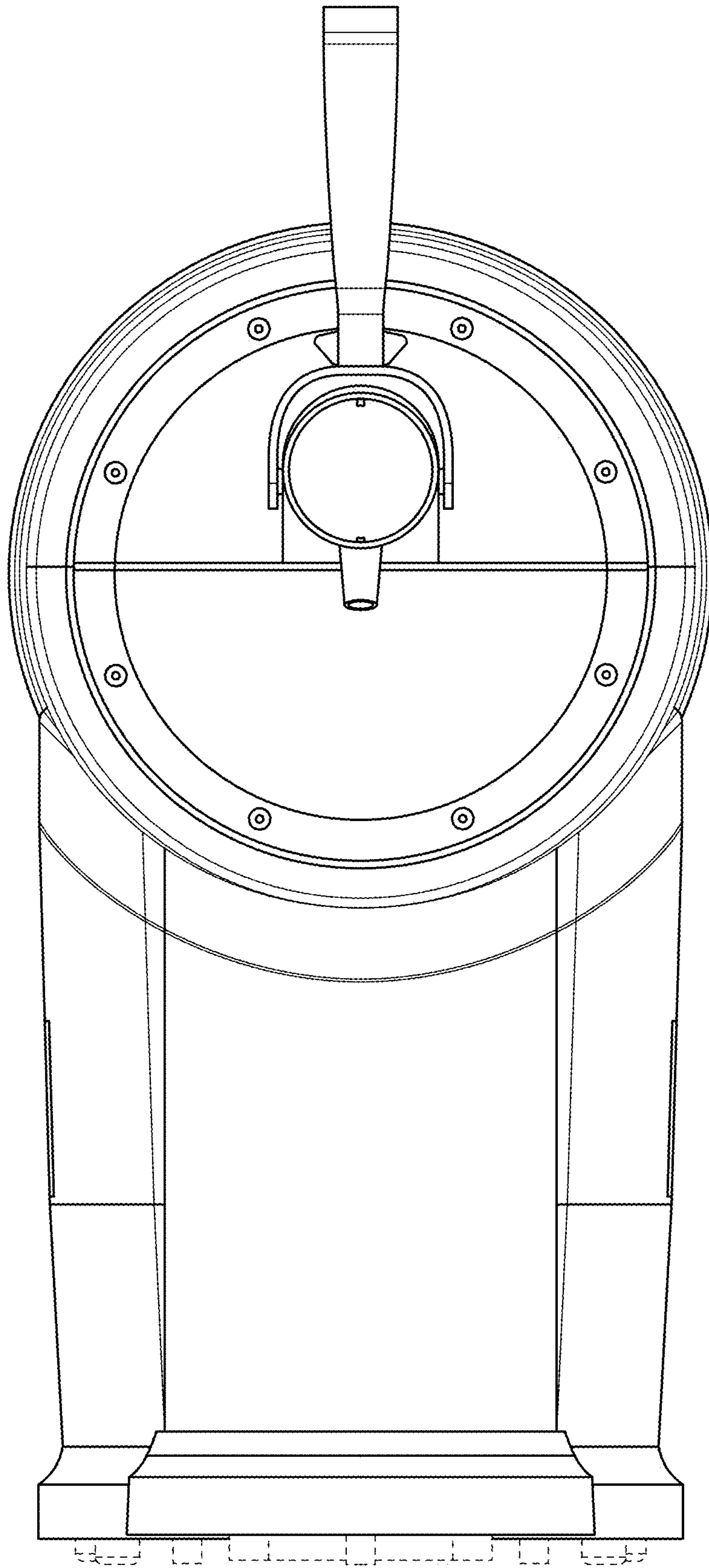


FIG. 2

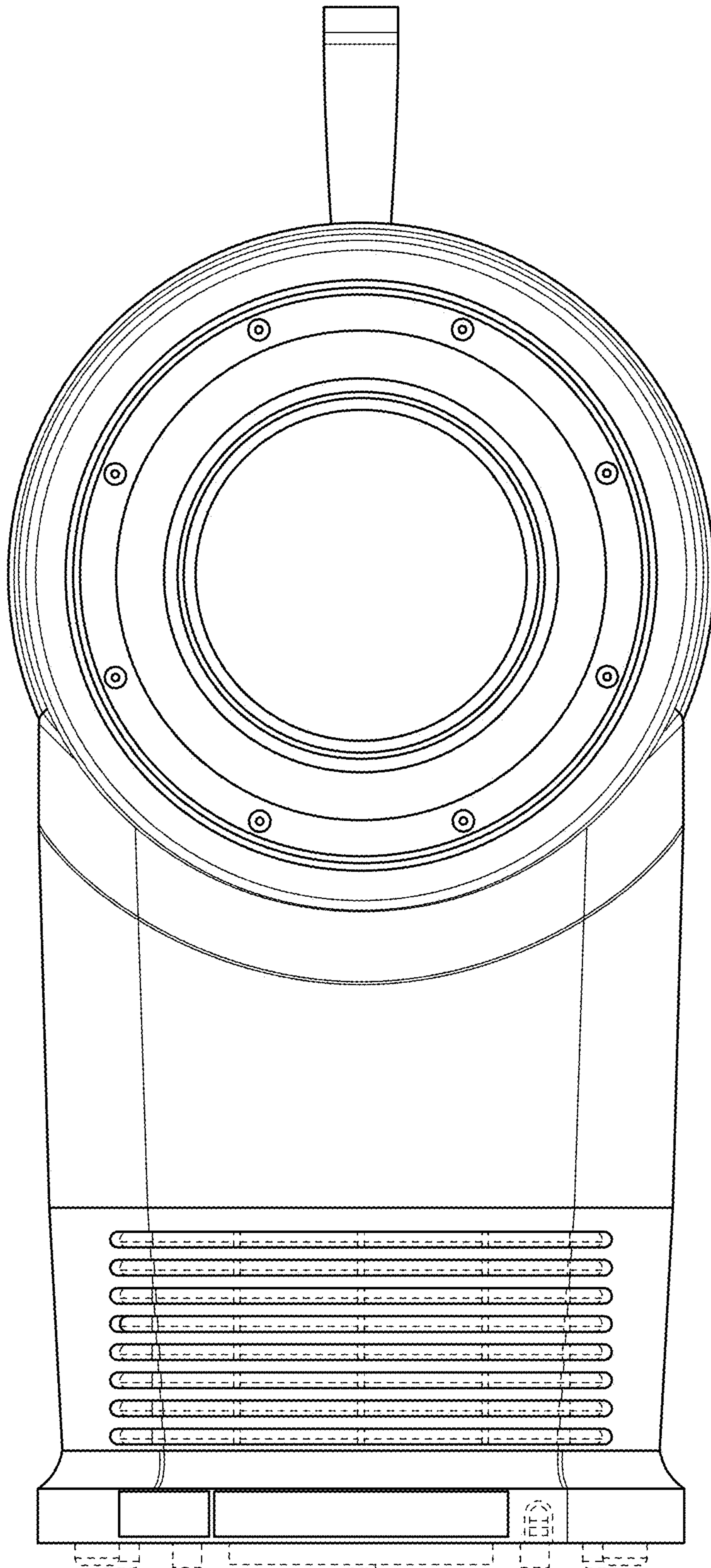


FIG. 3

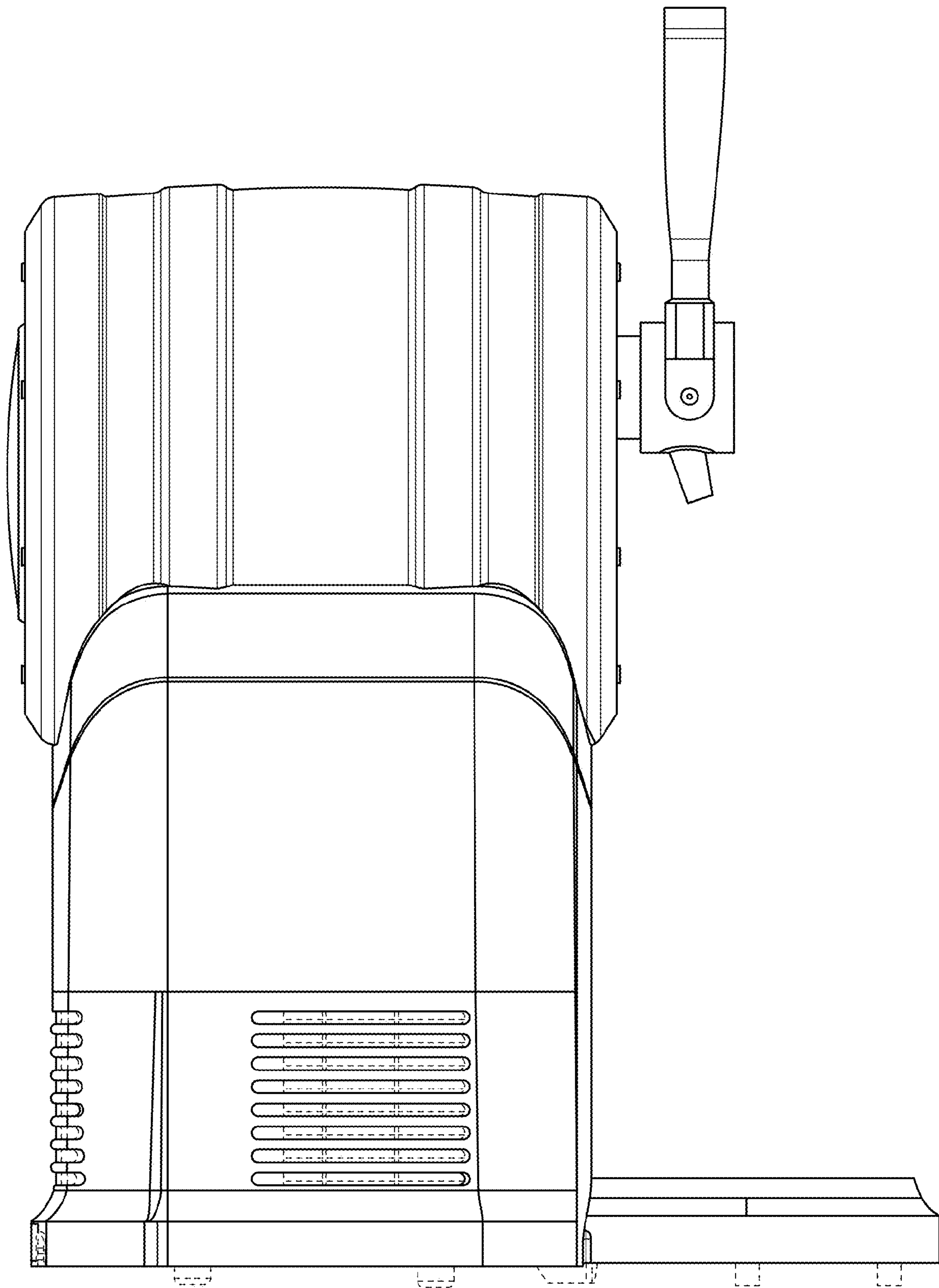


FIG. 4

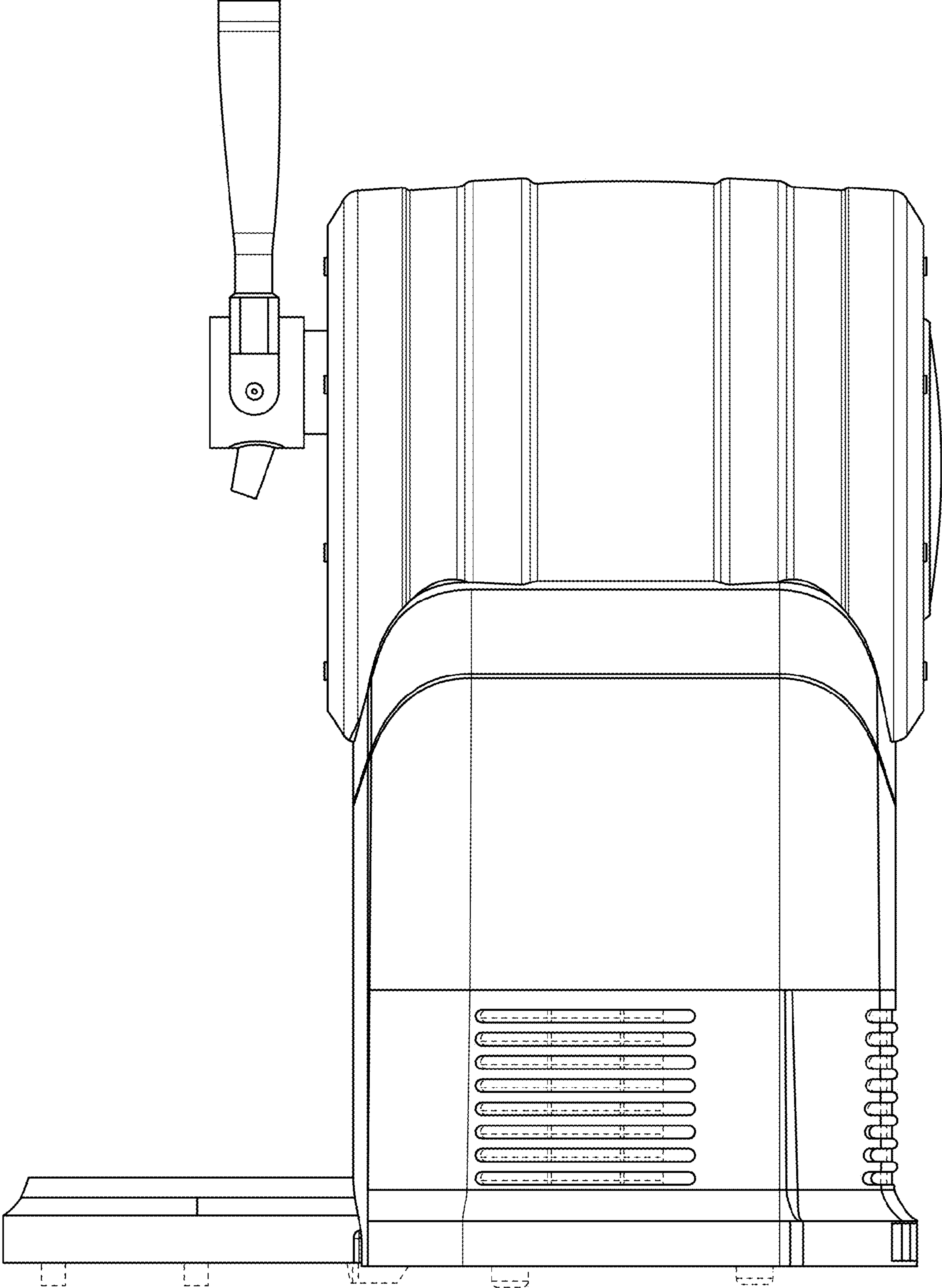


FIG. 5

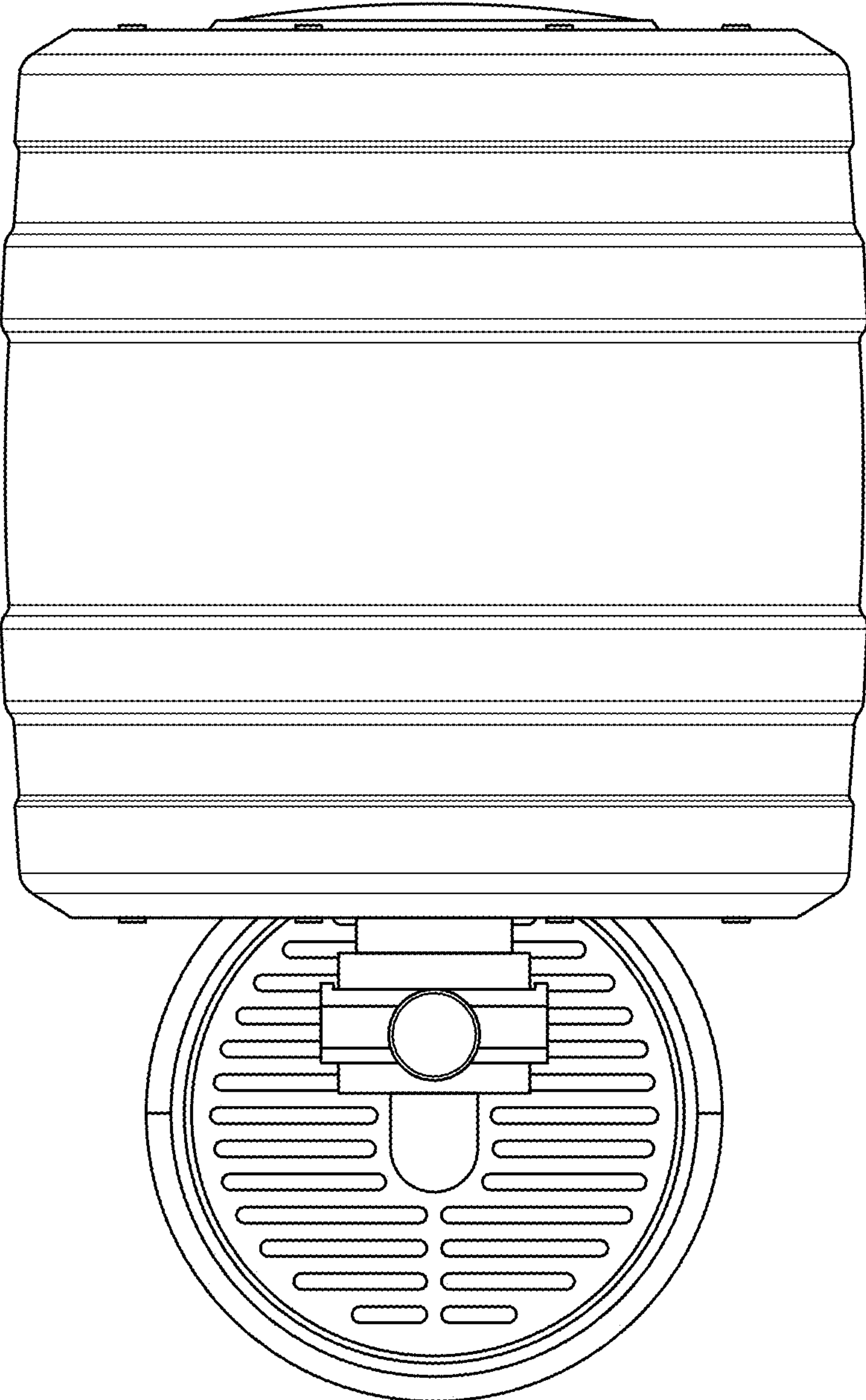


FIG. 6

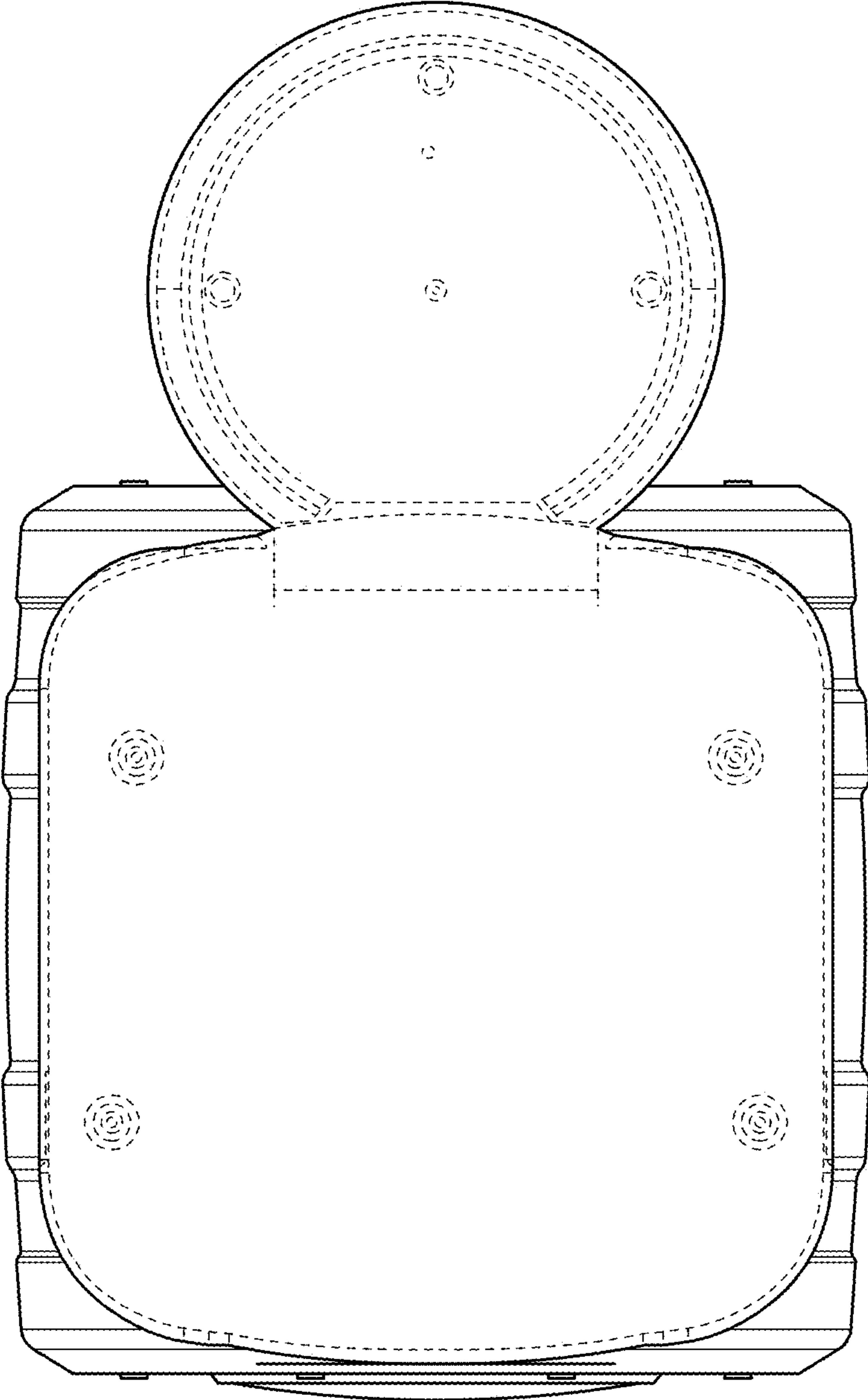


FIG. 7

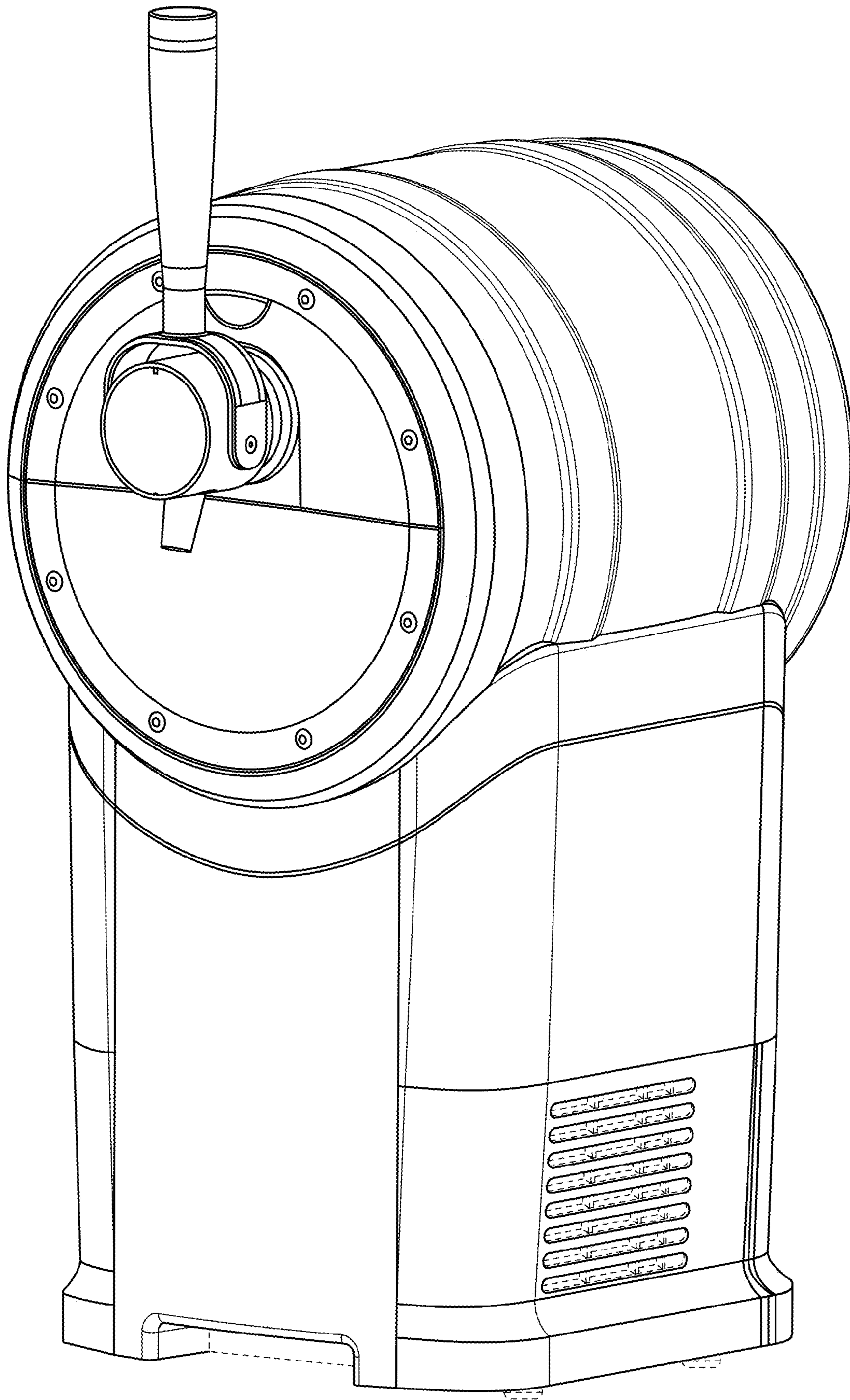


FIG. 8