



US00D961977S

(12) **United States Design Patent**
Chen

(10) **Patent No.:** **US D961,977 S**

(45) **Date of Patent:** **** Aug. 30, 2022**

(54) **COFFEE MAKER WITH ROTATING PANEL**

(71) Applicant: **ENE HOLDINGS LIMITED**, Hong Kong (CN)

(72) Inventor: **Andrew Yuen Chin Chen**, Hong Kong (CN)

(73) Assignee: **ENE HOLDINGS LIMITED**, Hong Kong (CN)

(**) Term: **15 Years**

(21) Appl. No.: **29/696,977**

(22) Filed: **Jul. 2, 2019**

(51) **LOC (13) Cl.** **07-01**

(52) **U.S. Cl.**
USPC **D7/310; D7/309**

(58) **Field of Classification Search**
USPC **D7/300, 305–313, 397–400, 665; D15/82; D23/207**

(Continued)

(56) **References Cited**

U.S. PATENT DOCUMENTS

D254,892 S * 5/1980 Smit D7/309
D347,350 S * 5/1994 Ullmann D7/309

(Continued)

FOREIGN PATENT DOCUMENTS

CN 304352469 * 11/2017
CN 304809684 * 9/2018

(Continued)

OTHER PUBLICATIONS

Amazon.com, "OXO Brew 9 Cup Stainless Steel Coffee Maker," Jul. 7, 2015, Amazon.com, www.amazon.com/OXO-Barista-Brain-good-grips/dp/B078213MG4 (Year: 2015).*

(Continued)

Primary Examiner — Joseph Kukella

Assistant Examiner — Arva P Adams

(74) *Attorney, Agent, or Firm* — Law Offices of Albert Wai-Kit Chan, PLLC

(57) **CLAIM**

I claim the ornamental design for coffee maker with rotating panel, as shown and described.

DESCRIPTION

FIG. 1 is a front elevation view of a coffee maker with rotating panel.

FIG. 2 is a right-side elevation view of the coffee maker with rotating panel.

FIG. 3 is a left-side elevation view of the coffee maker with rotating panel.

FIG. 4 is a top plan view of the coffee maker with rotating panel.

FIG. 5 is a top-right perspective view of the coffee maker with rotating panel.

FIG. 6 is a front elevation view of the coffee maker with rotating panel shown in an alternate configuration, with the rotating panel rotated to 90°.

FIG. 7 is a top plan view of the coffee maker with rotating panel shown in an alternate configuration, with the rotating panel rotated to 90°.

FIG. 8 is a front elevation view of the coffee maker with rotating panel shown in an alternate configuration, with the rotating panel rotated to -90°.

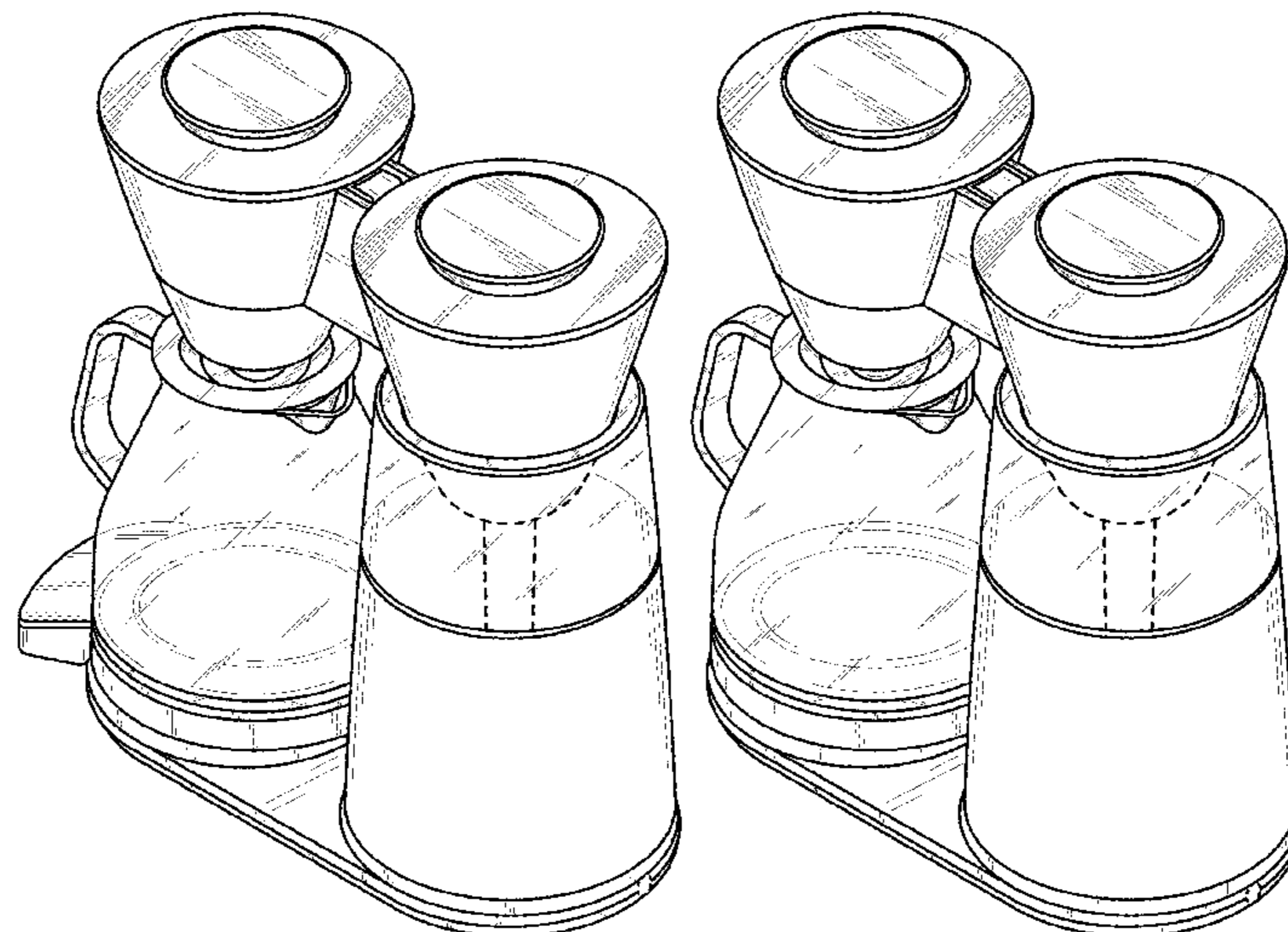
FIG. 9 is a top plan view of the coffee maker with rotating panel shown in an alternate configuration, with the rotating panel rotated to -90°.

FIG. 10 is a top-right perspective view of the coffee maker with rotating panel shown in an alternate configuration, with the rotating panel rotated to 90°; and,

FIG. 11 is a top-right perspective view of the coffee maker with rotating panel shown in an alternate configuration, with the rotating panel rotated to -90°.

The broken lines shown in the figures depict portions of the coffee maker with rotating panel that form no part of the claimed design.

1 Claim, 11 Drawing Sheets



(58) **Field of Classification Search**

CPC A47J 19/00; A47J 19/02; A47J 19/023;
 A47J 19/027; A47J 19/06; A47J 31/005;
 A47J 31/02; A47J 31/047; A47J 31/057;
 A47J 31/0576; A47J 31/0657; A47J
 31/0668; A47J 31/24; A47J 31/3633;
 A47J 31/40; A47J 31/407; A47J 31/44;
 A47J 31/4403; A47J 31/4482; A47J
 31/4485; A47J 31/46; A47J 31/467; A47J
 31/50; B65D 1/0022; B65D 1/0023;
 B65D 1/0024; B65D 1/0041; B65D
 1/0085; B65D 1/0091; B65D 1/07; B65D
 1/0894; B65D 1/0888; B65D 1/16; B65D
 2001/0089; B65D 2001/0091; B67D
 1/0009; B67D 3/0022; C12G 3/06

See application file for complete search history.

(56) **References Cited**

U.S. PATENT DOCUMENTS

D585,229 S * 1/2009 de Visser D7/309
 D712,188 S * 9/2014 Averty D7/310
 D718,563 S * 12/2014 Deman A47J 31/4457
 D7/305
 D773,877 S * 12/2016 Lee D7/310
 D773,878 S * 12/2016 Lee A47J 41/005
 D7/310
 D816,383 S * 5/2018 Liang A47J 31/08
 D7/310
 D878,132 S * 3/2020 Kestenbaum A47J 31/545
 D7/309
 2009/0084270 A1 * 4/2009 Pinheiro A47J 31/057
 99/280
 2010/0199849 A1 * 8/2010 Wu A47J 31/057
 99/286
 2014/0102307 A1 * 4/2014 Sachtleben A47J 31/4457
 99/285

2014/0165848 A1 * 6/2014 Sachtleben A47J 31/446
 99/323
 2016/0073824 A1 * 3/2016 Harrod A47J 41/005
 220/592.18
 2020/0288902 A1 * 9/2020 De' Longhi A47J 31/545
 2021/0235917 A1 * 8/2021 Veenendaal A47J 31/08

FOREIGN PATENT DOCUMENTS

CN 305863231 * 6/2020
 CN 306165018 * 11/2020
 EM 007426671-0001 * 1/2020
 GB 2040618 * 4/1995
 GB 2100884 * 5/2001
 GB 9007426671-0001 * 12/2019
 WO WO-D026859-001 * 9/1993

OTHER PUBLICATIONS

Ray, Joe, "Review: Breville Precision Brewer Thermal," Oct. 18, 2017, Wired, www.wired.com/2017/10/review-breville-precision-brewer-thermal/ (Year: 2017).*

Surlatable.Com, "Cuisinart Pourover Coffee Brewer With Thermal Carafe," Mar. 30, 2019, Sur la table, www.surlatable.com/coffee-maker-thermal/PRO-2224640.html (Year: 2019).*

Coffee Detective, "The best drip coffee makers make way better coffee than you think," May 25, 2019, Twitter, <https://twitter.com/CoffeeDetective/status/1132279196573753344> (Year: 2019).*

Coffelio.com, "Bonavita Connoisseur VS Metropolitan," Sep. 25, 2019, Coffelio.com, <https://coffelio.com/bonavita-connoisseur-vs-metropolitan/> (Year: 2019).*

Wabilogic, "It's extraordinary. It's art. It's Melitta Vision," Apr. 3, 2021, Facebook, www.facebook.com/wabilogic/photos/a.629414020969270/868480243729312 (Year: 2021).*

Wabilogic.com, "Melitta Vision 12-cup Luxe Automatic Drip Coffee Maker (MCM002)," Reviewed 2021, Wabilogic.com, www.wabilogic.com/products/melitta-vision-12-cup-luxe-automatic-drip-coffee-maker-mcm002wulbk0 (Year: 2021).*

* cited by examiner

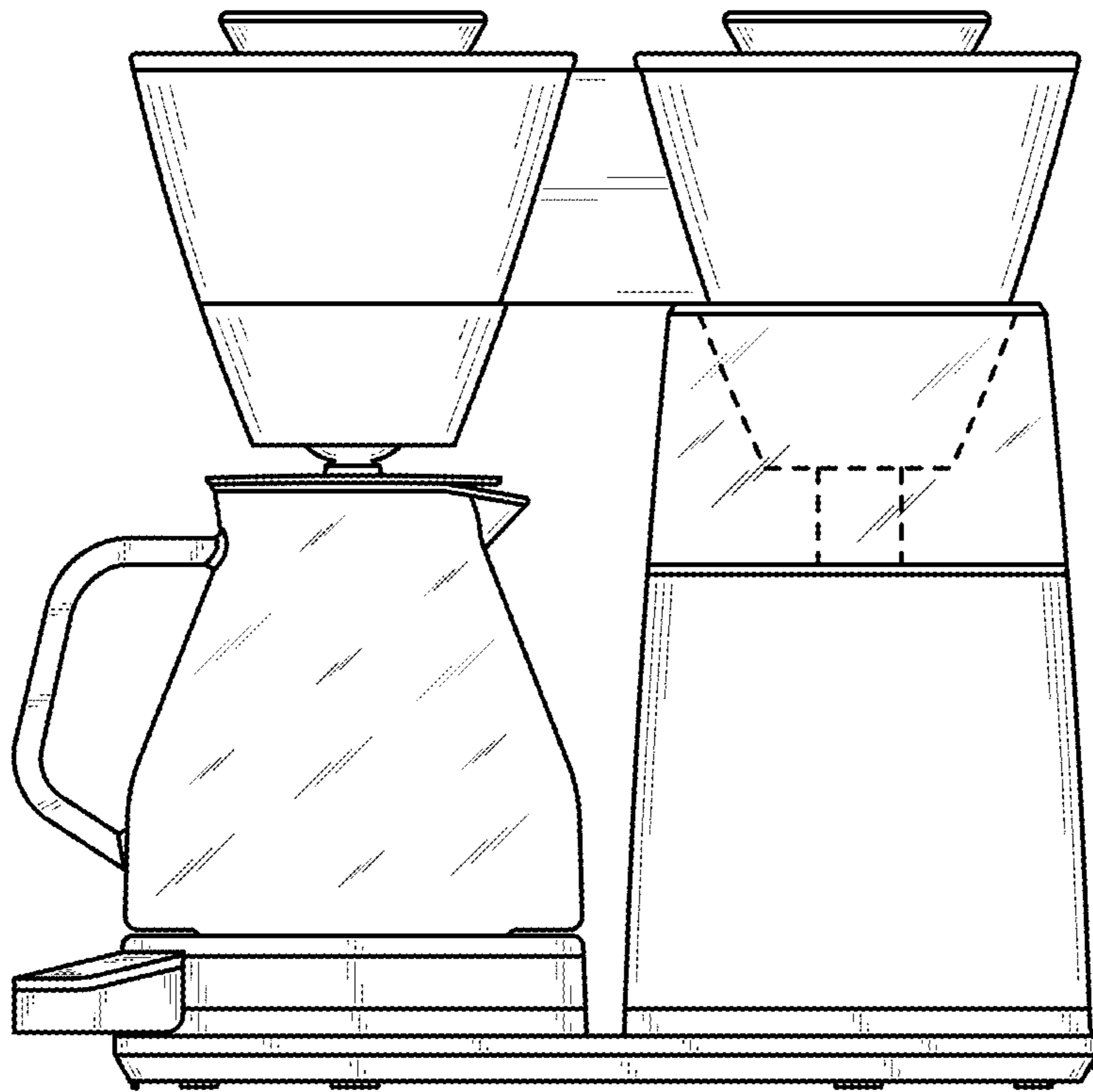


FIG. 1

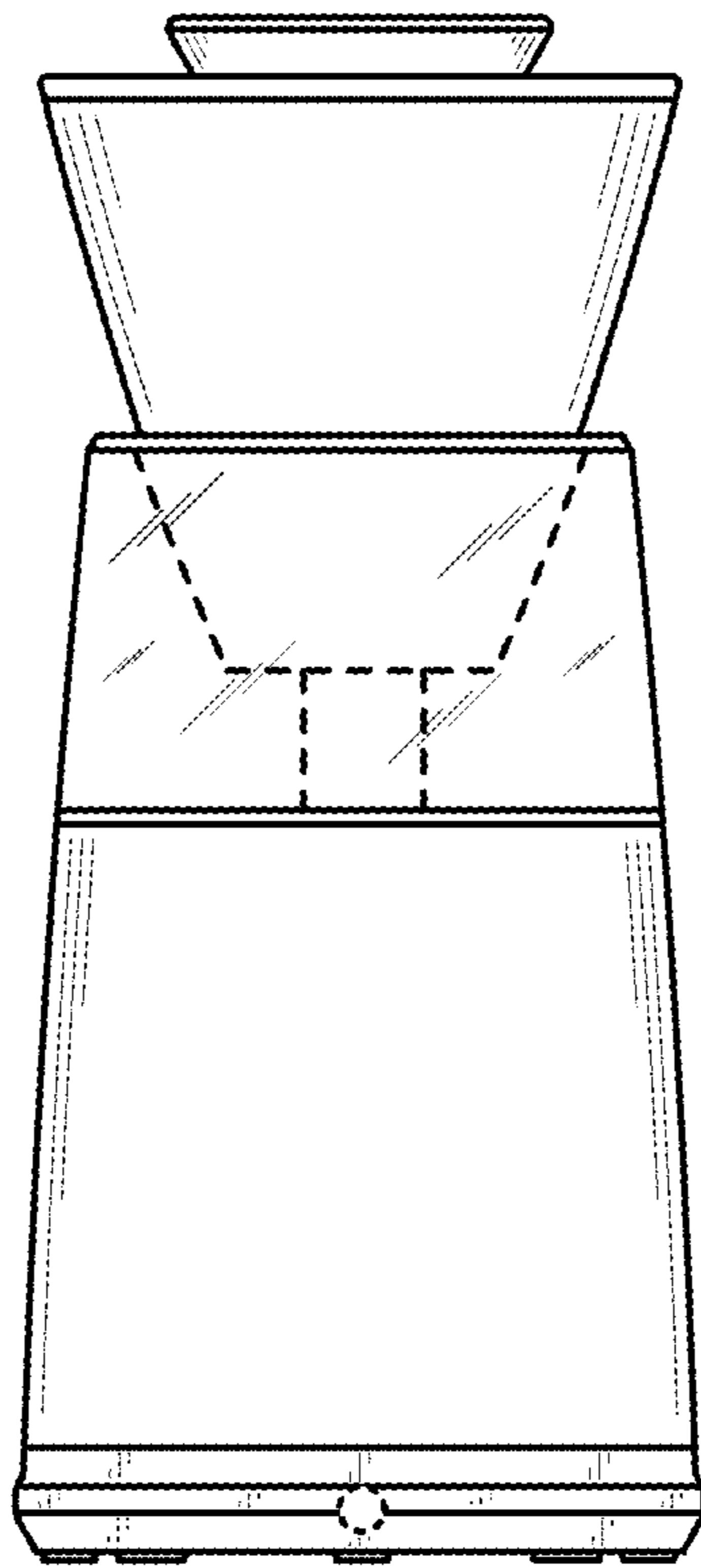


FIG. 2

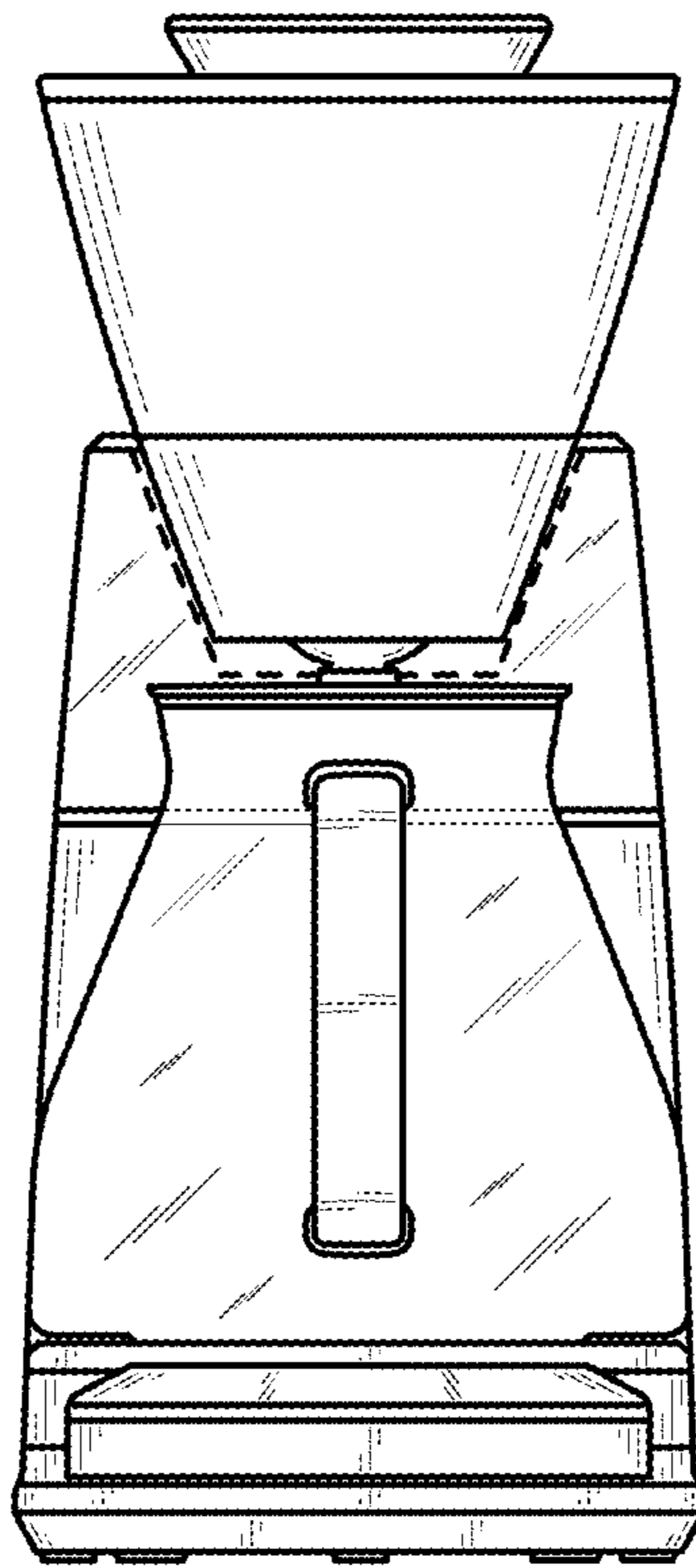


FIG. 3

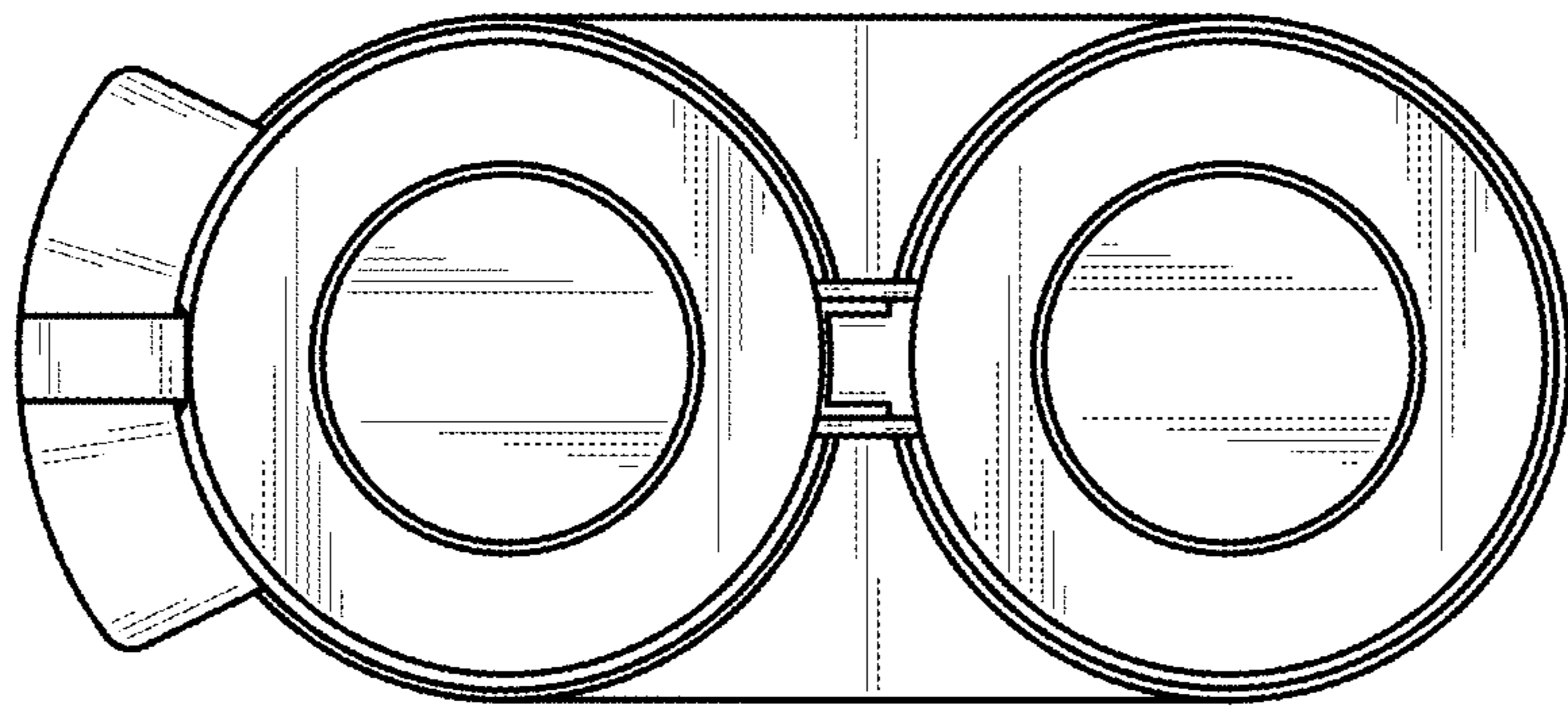


FIG. 4

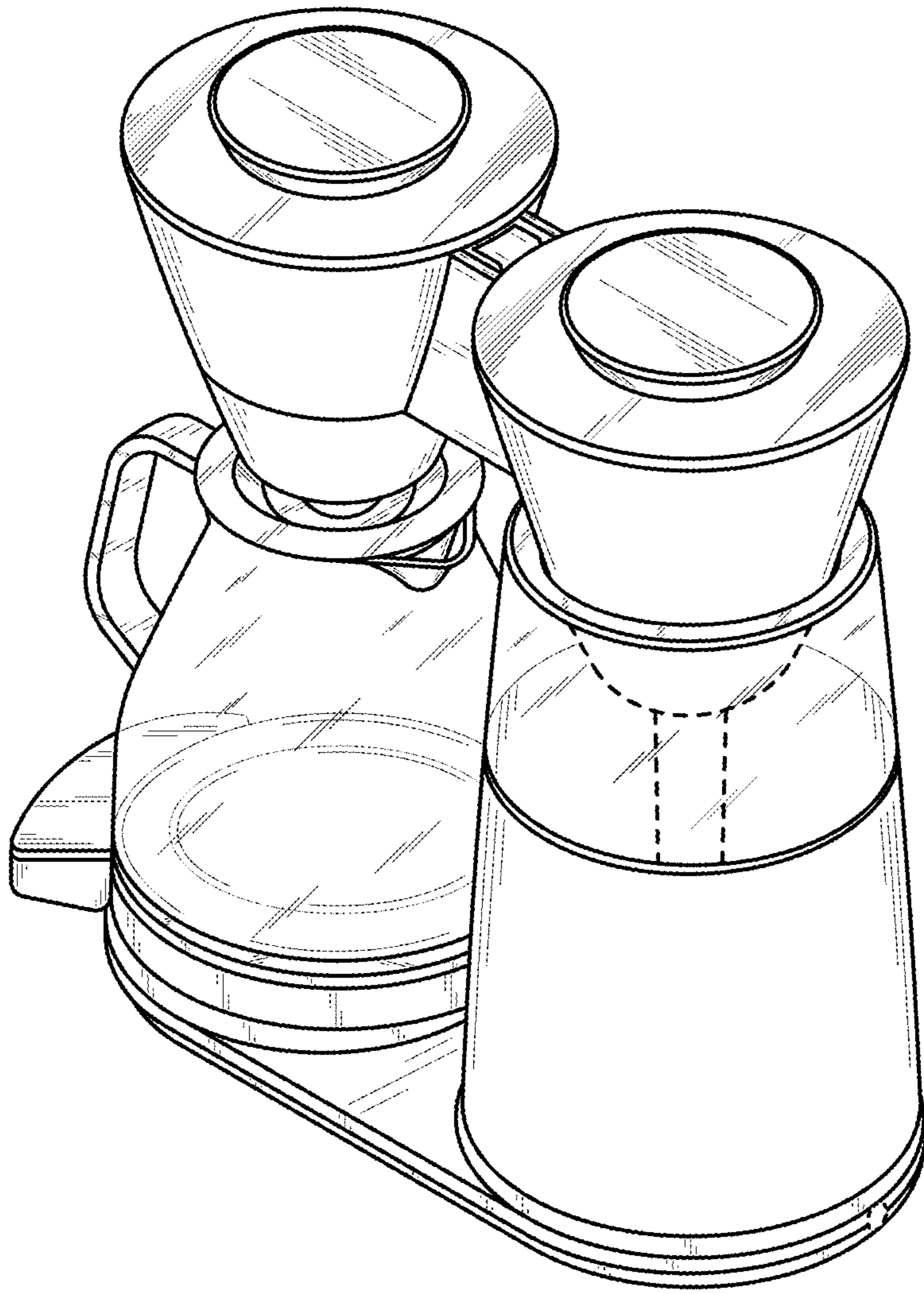


FIG. 5



FIG. 6

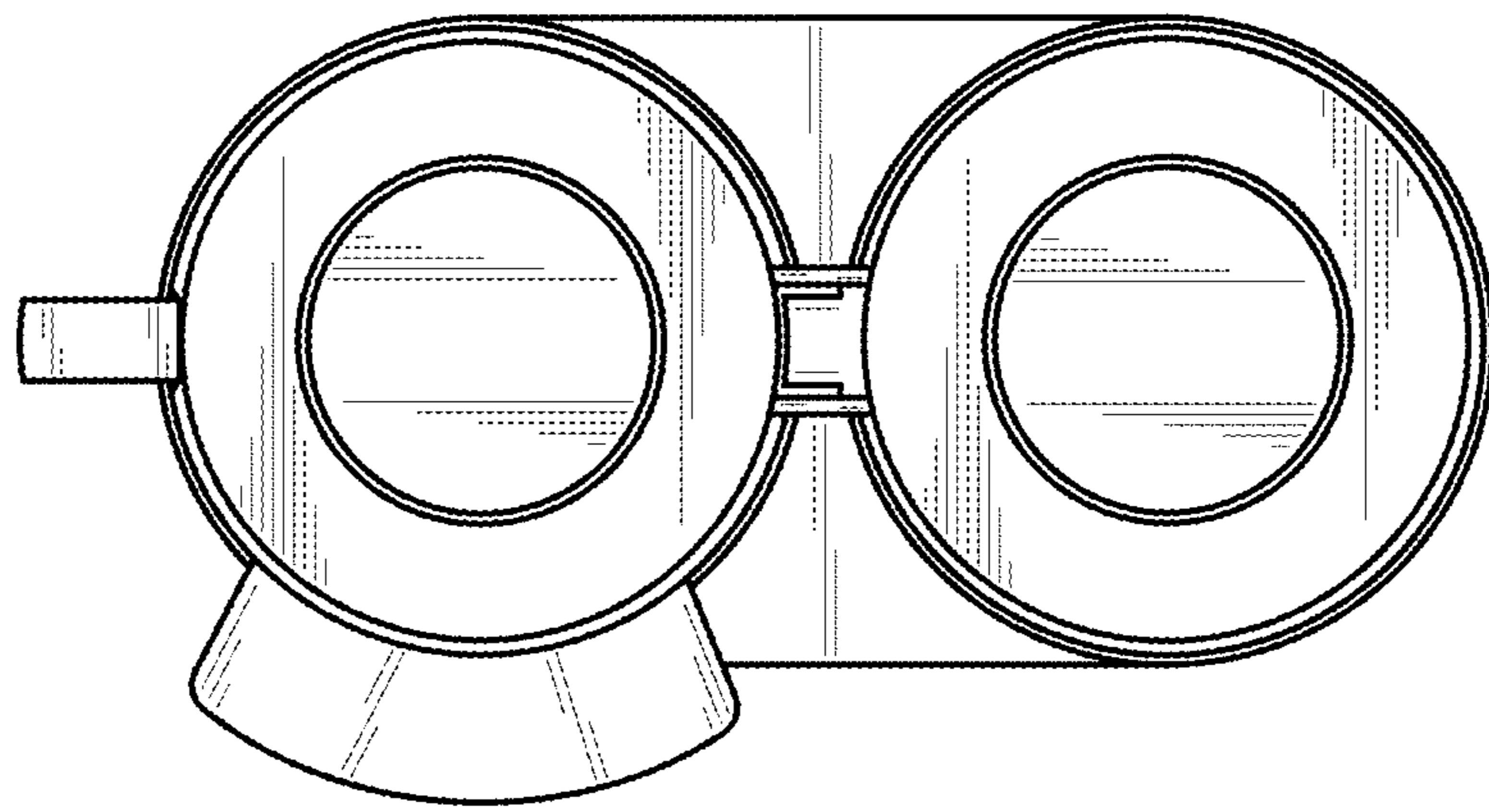


FIG. 7

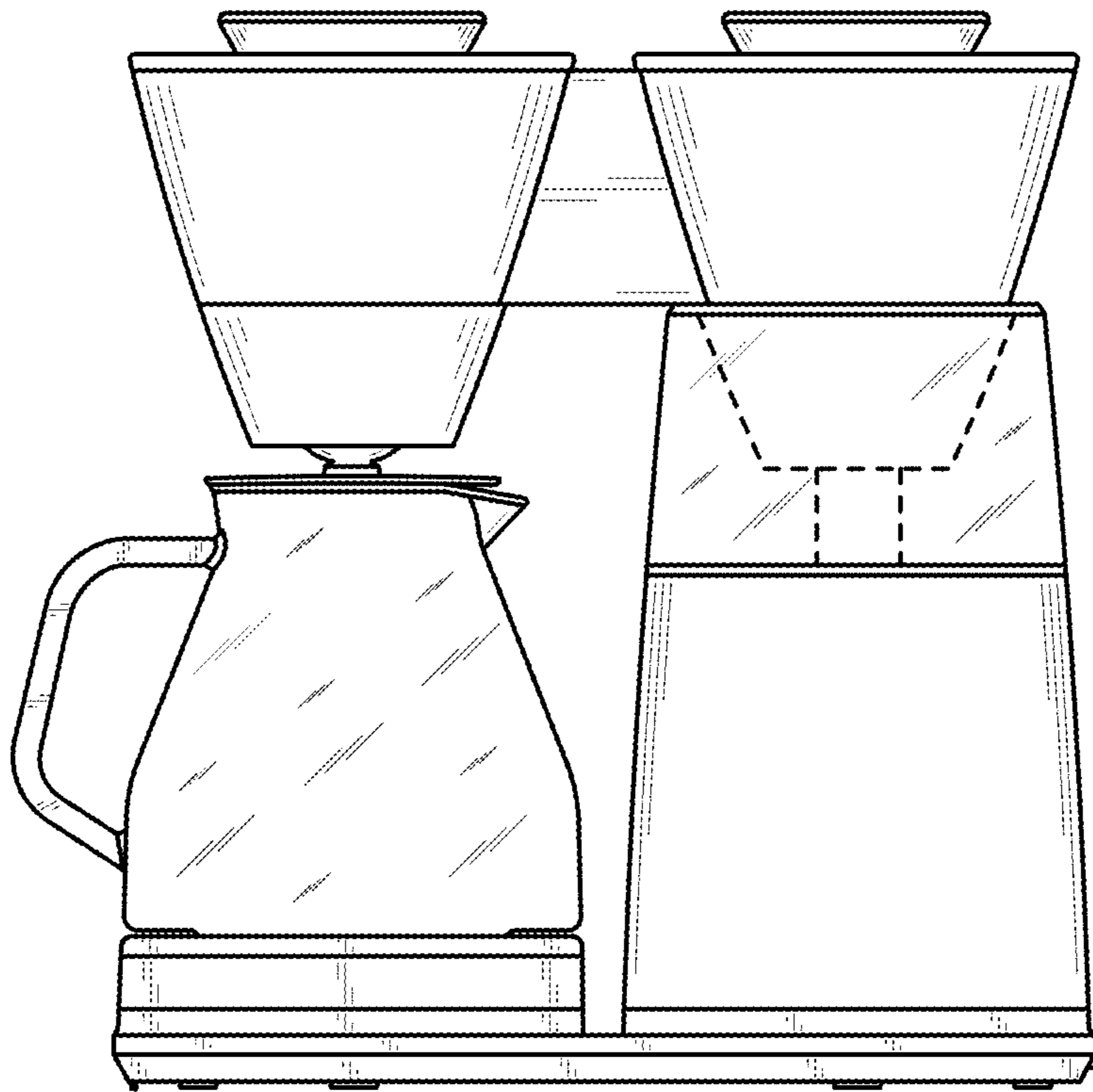


FIG. 8

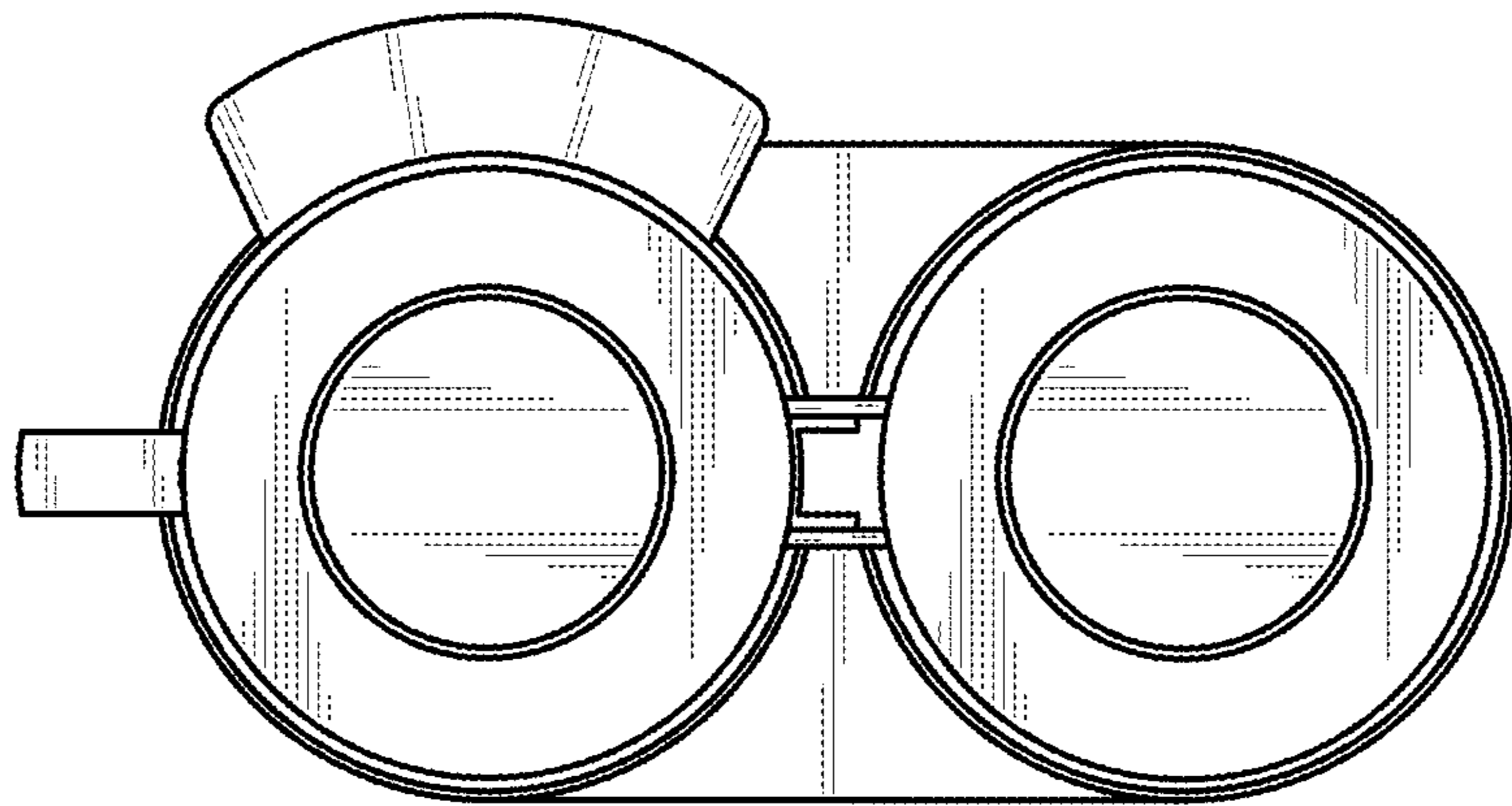


FIG. 9

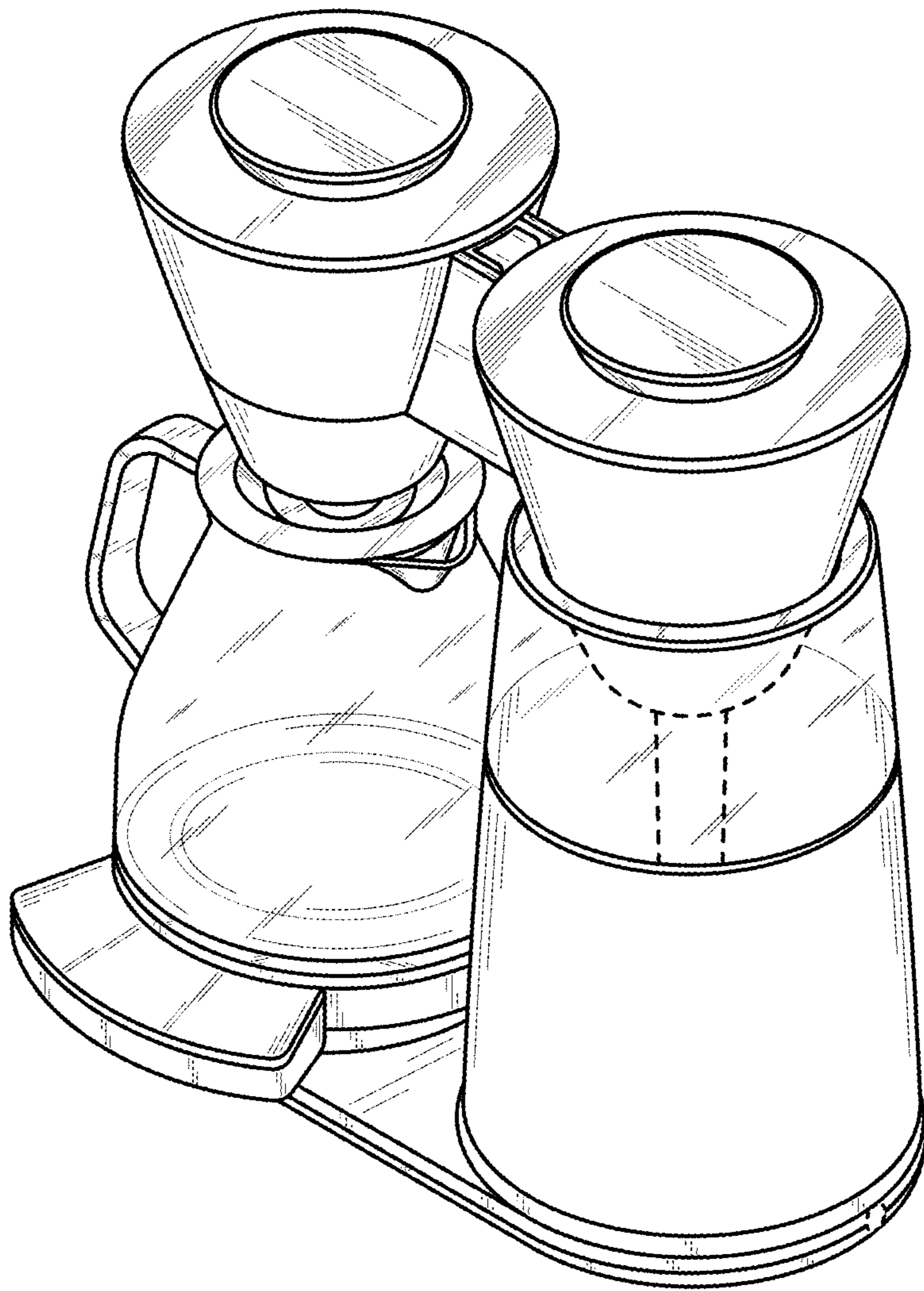


FIG. 10

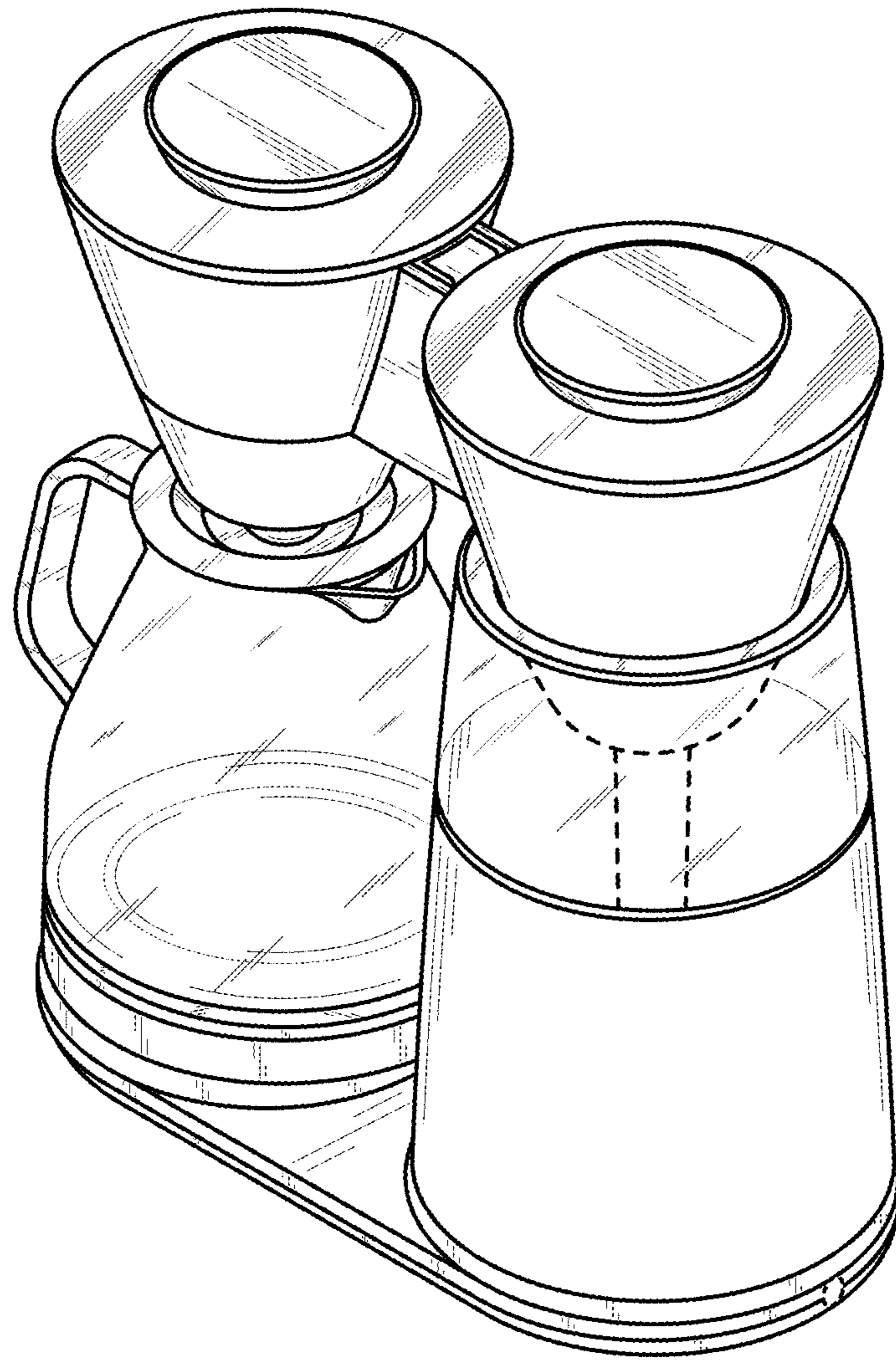


FIG. 11