



US00D961976S

(12) **United States Design Patent** (10) **Patent No.:** **US D961,976 S**
Nahum et al. (45) **Date of Patent:** **** Aug. 30, 2022**

(54) **WATER HEATER AND PURIFIER DISPENSER**
(71) Applicant: **STRAUSS WATER LTD**, Or Yehuda (IL)
(72) Inventors: **Orly Nahum**, Ramat Gan (IL); **Ethan James Shiloh**, Tel Aviv (IL)
(73) Assignee: **STRAUSS WATER LTD**, Or Yehuda (IL)
(**) Term: **15 Years**
(21) Appl. No.: **29/696,060**
(22) Filed: **Jun. 25, 2019**

(30) **Foreign Application Priority Data**
Dec. 31, 2018 (IL) 63127
(51) **LOC (13) Cl.** **07-01**
(52) **U.S. Cl.**
USPC **D7/309; D7/311**
(58) **Field of Classification Search**
USPC **D7/300, 305-313, 397-399, 665; D15/82; D23/207**

(56) **References Cited**
U.S. PATENT DOCUMENTS
D281,943 S * 12/1985 Rosalgino D7/309
D342,639 S * 12/1993 Ullmann D7/309
(Continued)

FOREIGN PATENT DOCUMENTS
CN 3044467 * 5/1996
CN 303351154 * 8/2015
(Continued)

OTHER PUBLICATIONS
Robinson, Richard, "New coffee maker," Aug. 13, 2014, The Broken Bullhorn, <https://brokenbullhorn.wordpress.com/2014/08/13/new-coffee-maker/> (Year: 2014).*

Primary Examiner — Joseph Kukella
Assistant Examiner — Arva P Adams
(74) *Attorney, Agent, or Firm* — Vorys, Sater, Seymour and Pease LLP; William L. Klima

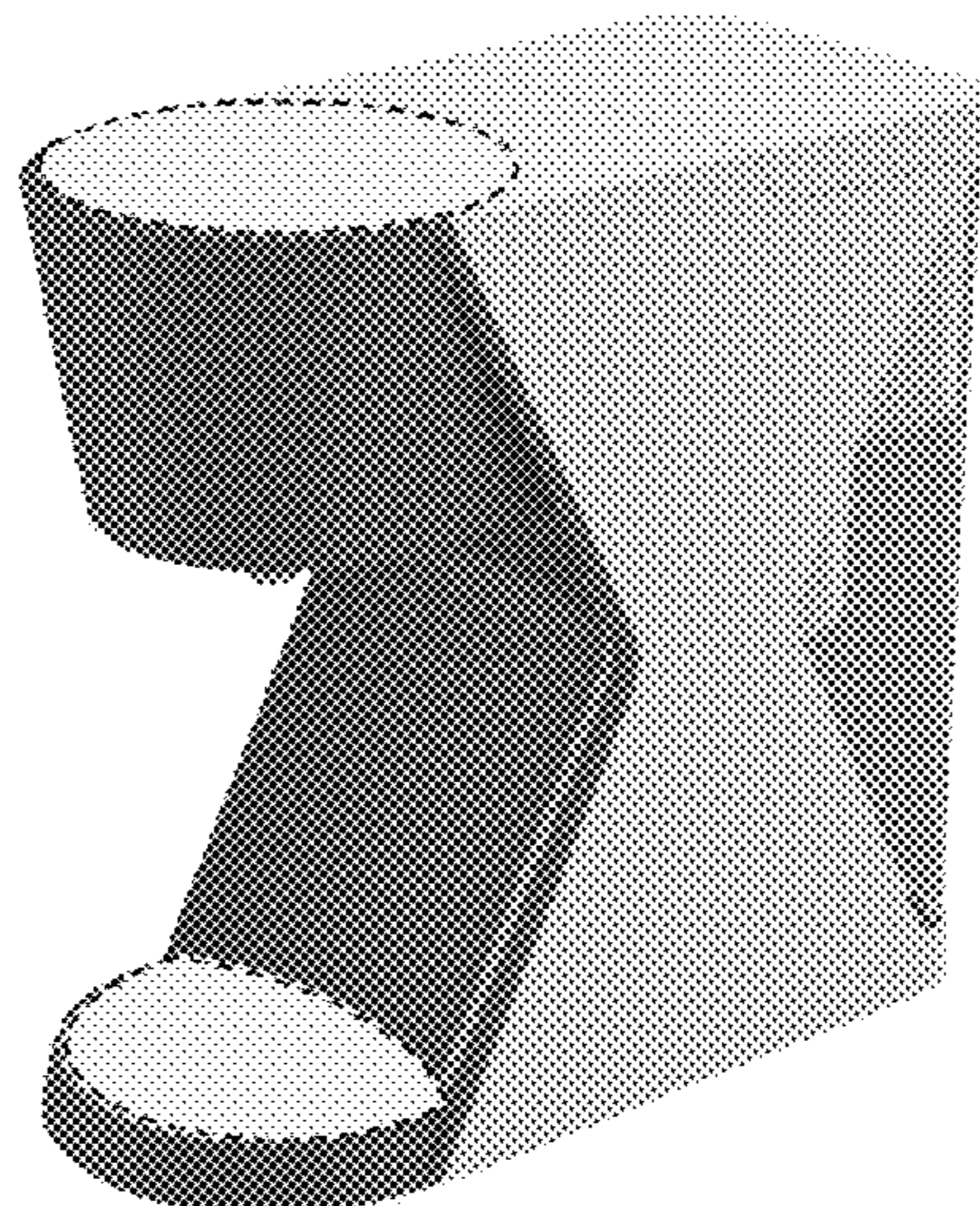
(57) **CLAIM**

The ornamental design for a water heater and purifier dispenser, as shown and described.

DESCRIPTION

FIG. 1 is a top, front and right side perspective view of a first variant of a new design for a water heater and purifier dispenser.
FIG. 2 is a front view thereof;
FIG. 3 is a rear view thereof;
FIG. 4 is a right side view thereof; the left side view being a mirror image of FIG. 4;
FIG. 5 is a top view thereof;
FIG. 6 is a bottom view thereof;
FIG. 7 is a top, rear and right side perspective view thereof;
FIG. 8 is a bottom, front and right side perspective view thereof;
FIG. 9 is a top, front and right side perspective view of a second variant of a new design for a water heater and purifier dispenser.
FIG. 10 is a front view thereof;
FIG. 11 is a rear view thereof;
FIG. 12 is a right side view thereof; the left side view being a mirror image of FIG. 12;
FIG. 13 is a top view thereof;
FIG. 14 is a bottom view thereof;
FIG. 15 is a top, rear and right side perspective view thereof; and,
FIG. 16 is a bottom, front and right side perspective view thereof.
The parts of the design encircled in dashed line and colored in white form no part of the claimed design.

1 Claim, 16 Drawing Sheets



US D961,976 S

Page 2

(58) Field of Classification Search

CPC A47J 19/00; A47J 19/02; A47J 19/023;
A47J 19/027; A47J 19/06; A47J 31/005;
A47J 31/057; A47J 31/0576; A47J
31/0657; A47J 31/0668; A47J 31/3633;
A47J 31/40; A47J 31/467; A47J 31/50;
A47G 31/24; A47G 31/44; A47G
31/4403; A47G 31/4485; A47G 31/46;
B67D 1/0009; B67D 1/0022; B67D
1/0023; B67D 1/0024; B67D 1/0041;
B67D 1/0085; B67D 1/07; B67D 1/0888;
B67D 1/0894; B67D 1/16; B67D 3/00;
B67D 3/0038; B67D 2001/0089; B67D
2001/0091; B67D 2001/075; C02F 1/003;
C02F 2209/445; C12G 3/06

See application file for complete search history.

(56) References Cited

U.S. PATENT DOCUMENTS

D347,350 S * 5/1994 Ullmann D7/309
5,485,778 A * 1/1996 Ullmann A47J 31/446
99/295
D369,268 S * 4/1996 Assmann A47J 31/446
D7/309
D400,045 S * 10/1998 Schade D7/309
D402,153 S * 12/1998 Saltet D7/309

D403,199 S * 12/1998 Micoley D7/309
D440,811 S * 4/2001 Littmann D7/309
D454,466 S * 3/2002 Hong D7/309
6,586,710 B2 * 7/2003 Williamson A47J 31/445
219/432
D481,902 S * 11/2003 O'Connor A47J 31/445
D7/309
D484,733 S * 1/2004 Kling D7/309
D488,949 S * 4/2004 Moisan D7/309
D497,278 S * 10/2004 Picozza D7/309
D511,066 S * 11/2005 Garner D7/309
D512,596 S * 12/2005 Bjørn D7/309
D550,499 S * 9/2007 Argabrite D7/309
D564,280 S * 3/2008 Ting D7/309
D628,007 S * 11/2010 Di Bitonto D7/310
D650,626 S * 12/2011 Bodum D7/309
D739,677 S * 9/2015 Du A47J 31/446
D7/399
D747,144 S * 1/2016 Sun A47J 31/446
D7/510
D760,009 S * 6/2016 Moammer D7/309
D904,817 S * 12/2020 Chang D7/306

FOREIGN PATENT DOCUMENTS

CN 305600072 * 2/2020
EM 006335444-0001 * 4/2019
EM 006335444-0002 * 4/2019
EM 006335444-0003 * 4/2019
GB 9006335444-0001 * 3/2019

* cited by examiner

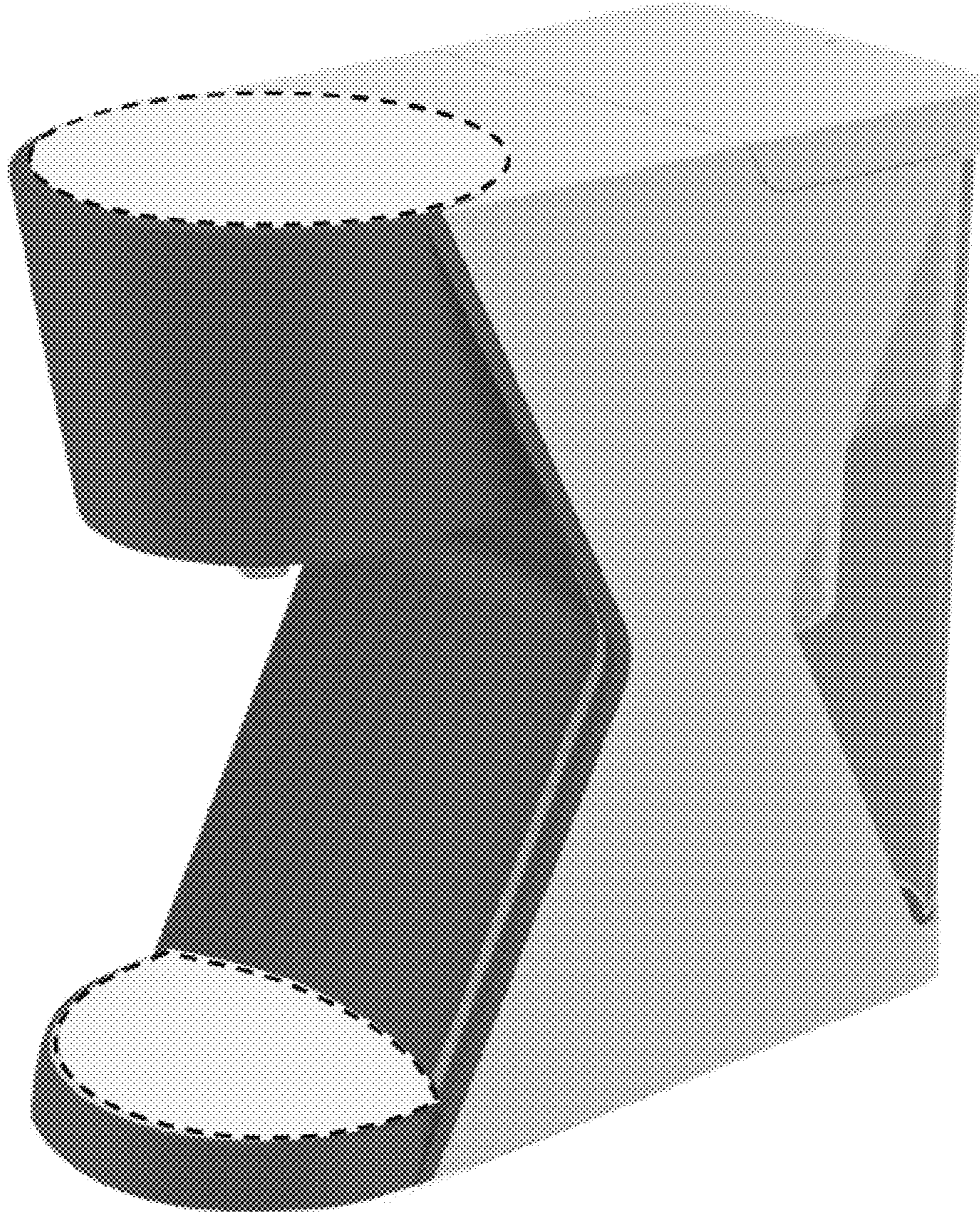


FIG. 1

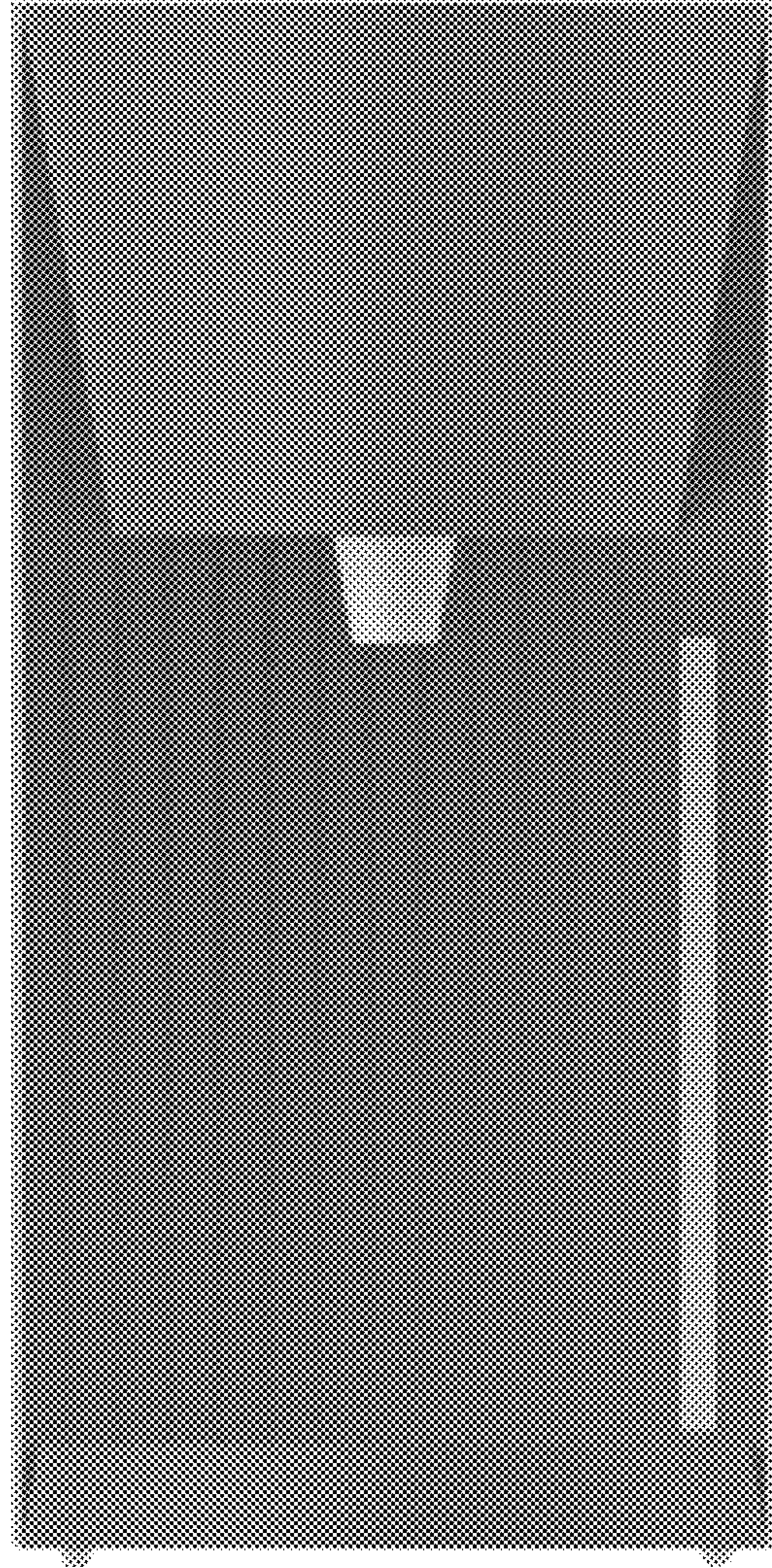


FIG. 2

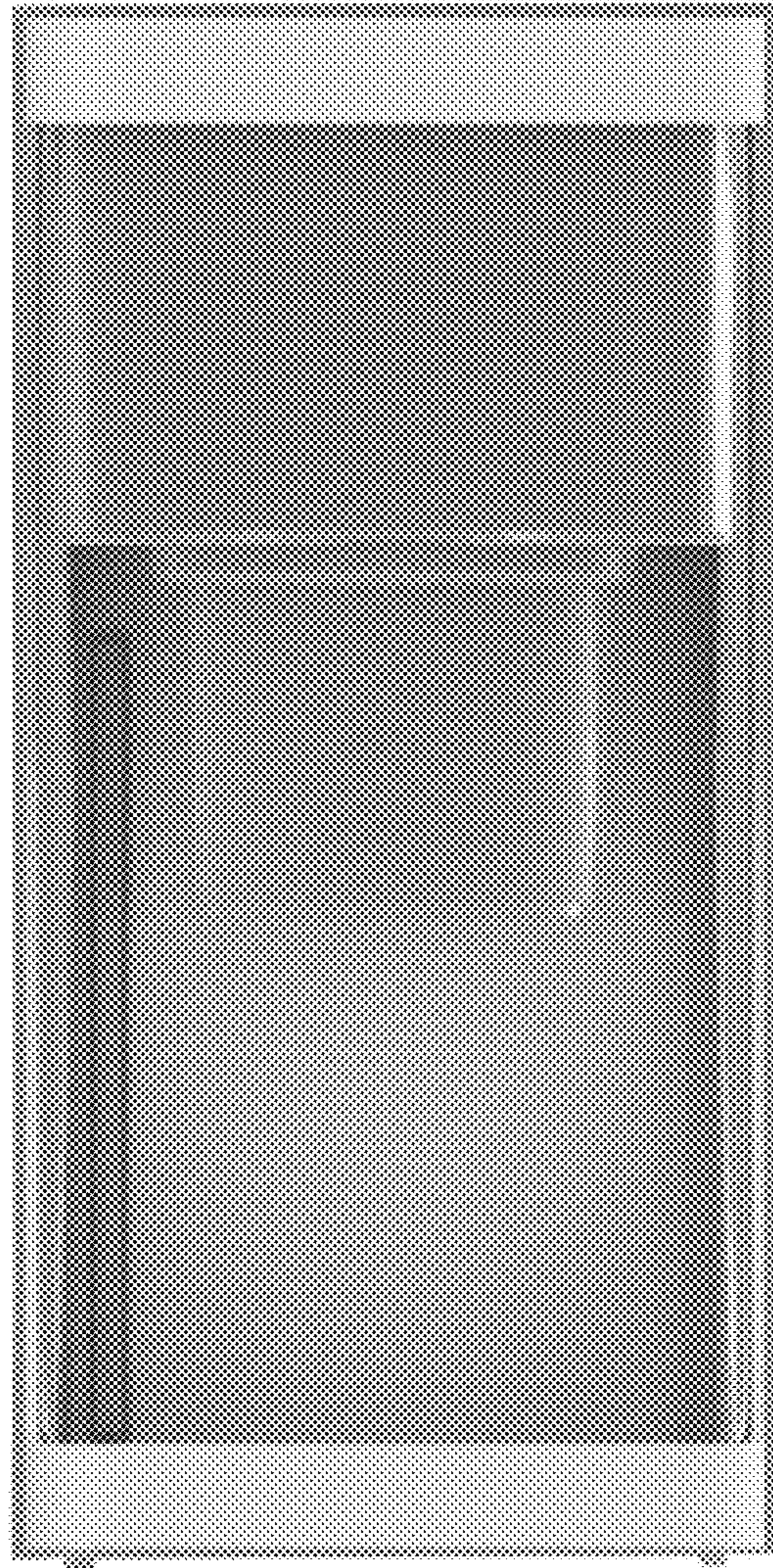


FIG. 3

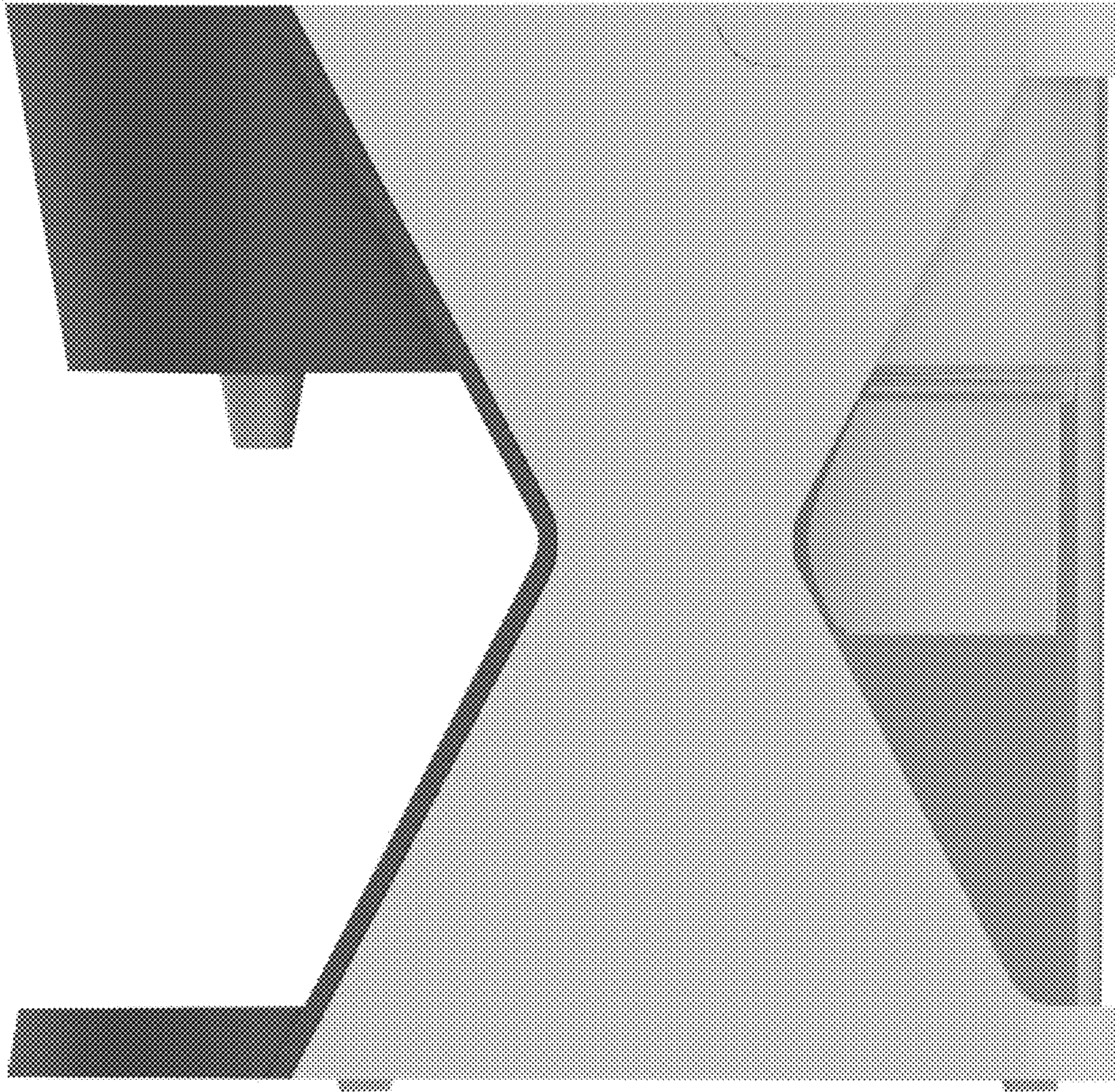


FIG. 4

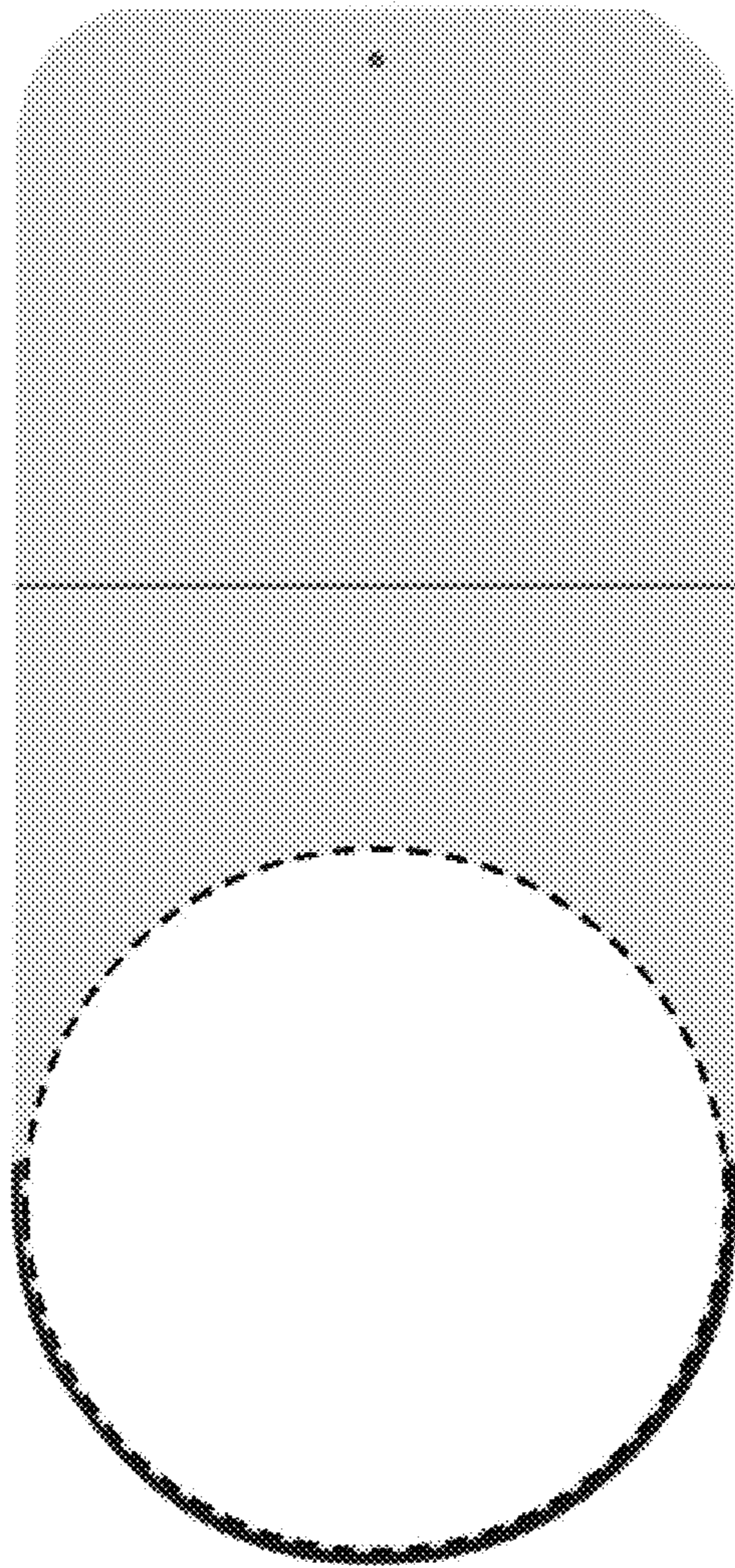


FIG. 5

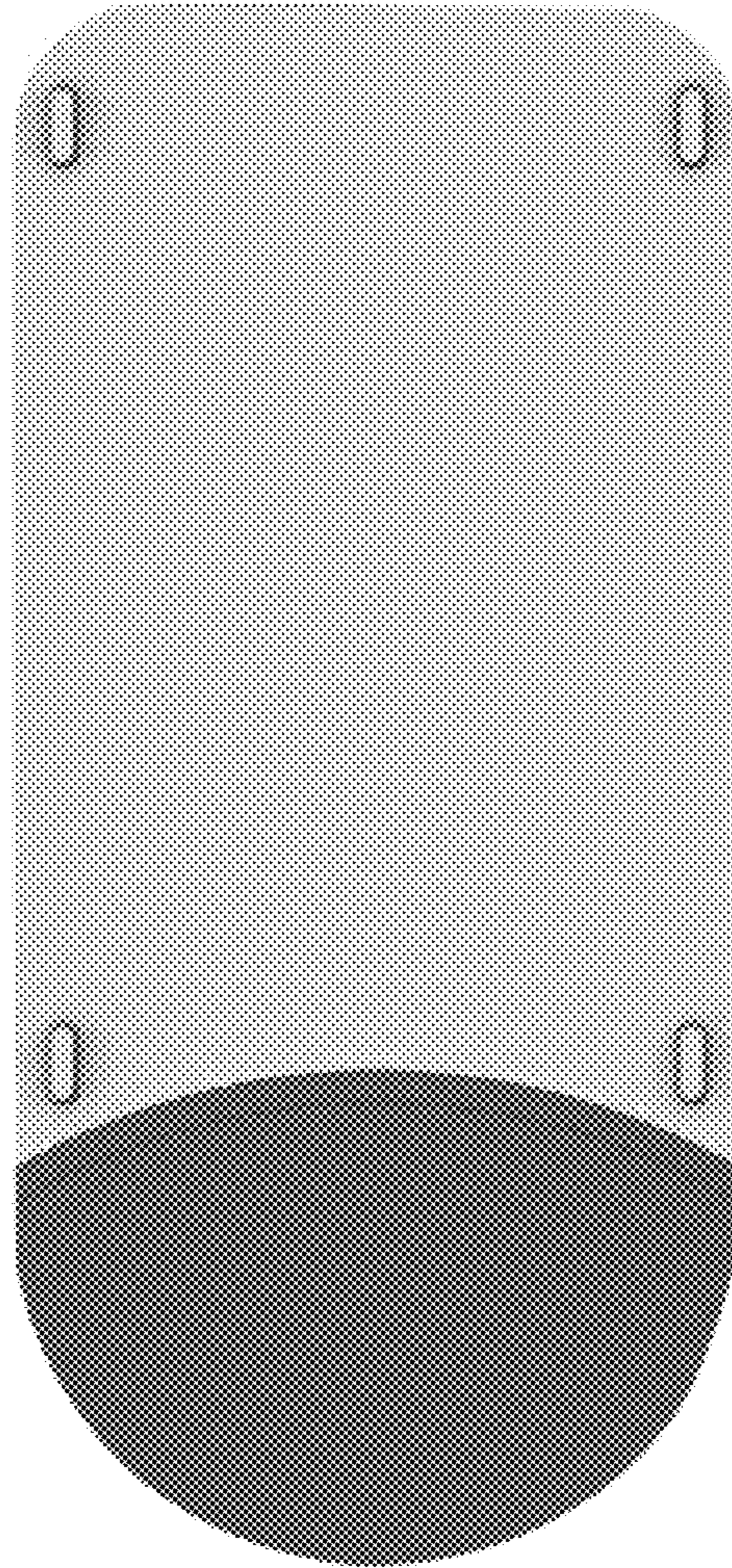


FIG. 6

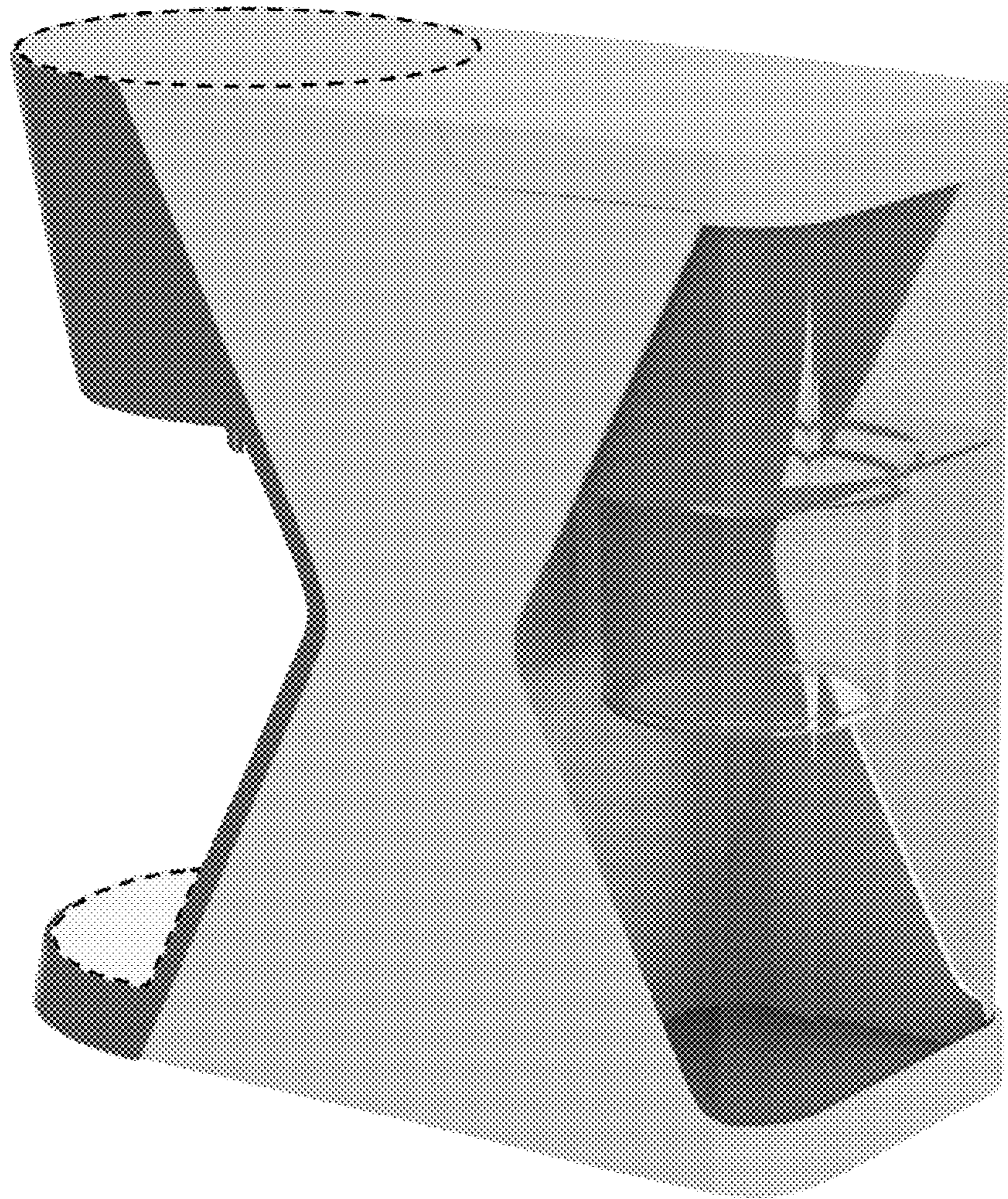


FIG. 7

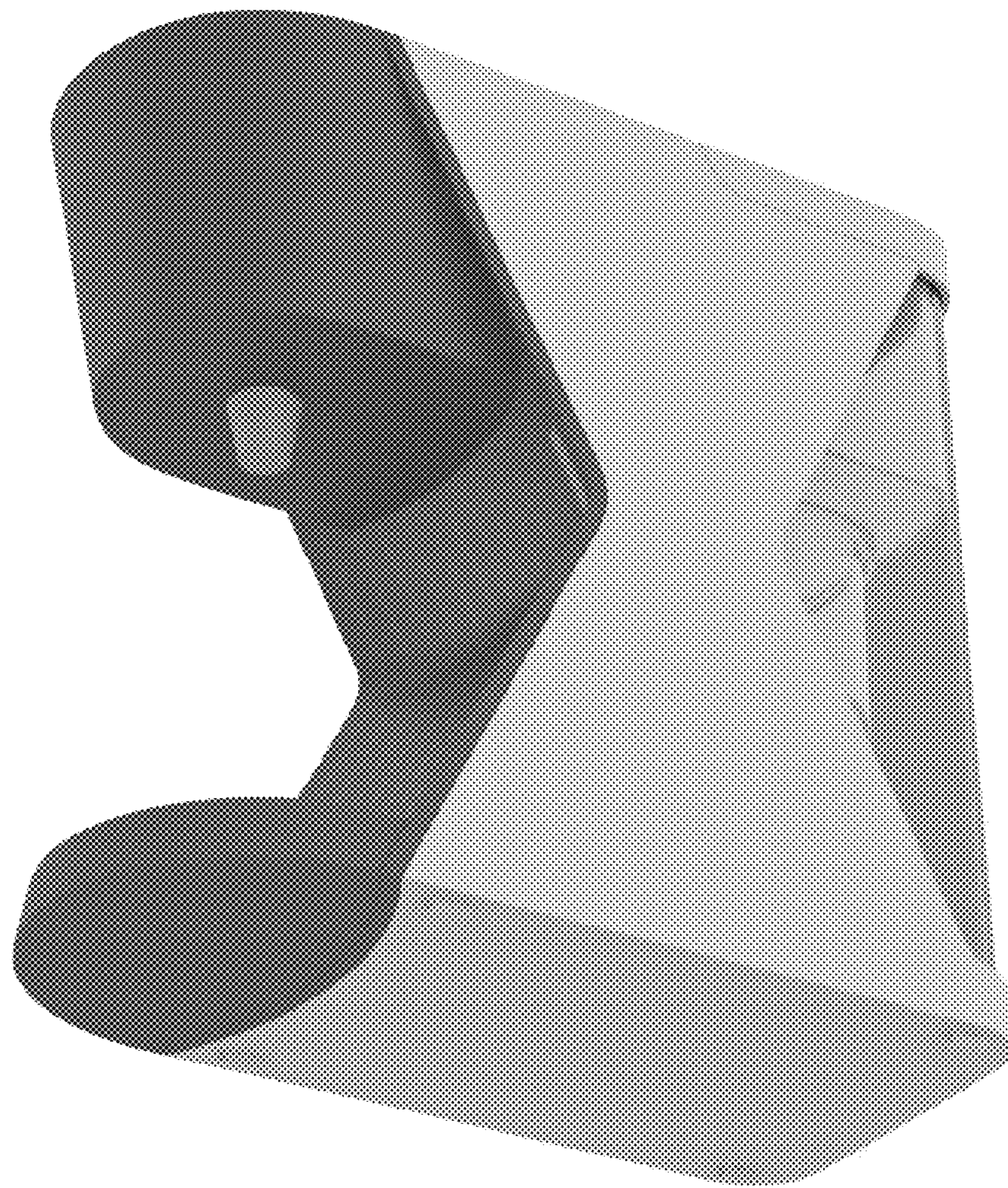


FIG. 8

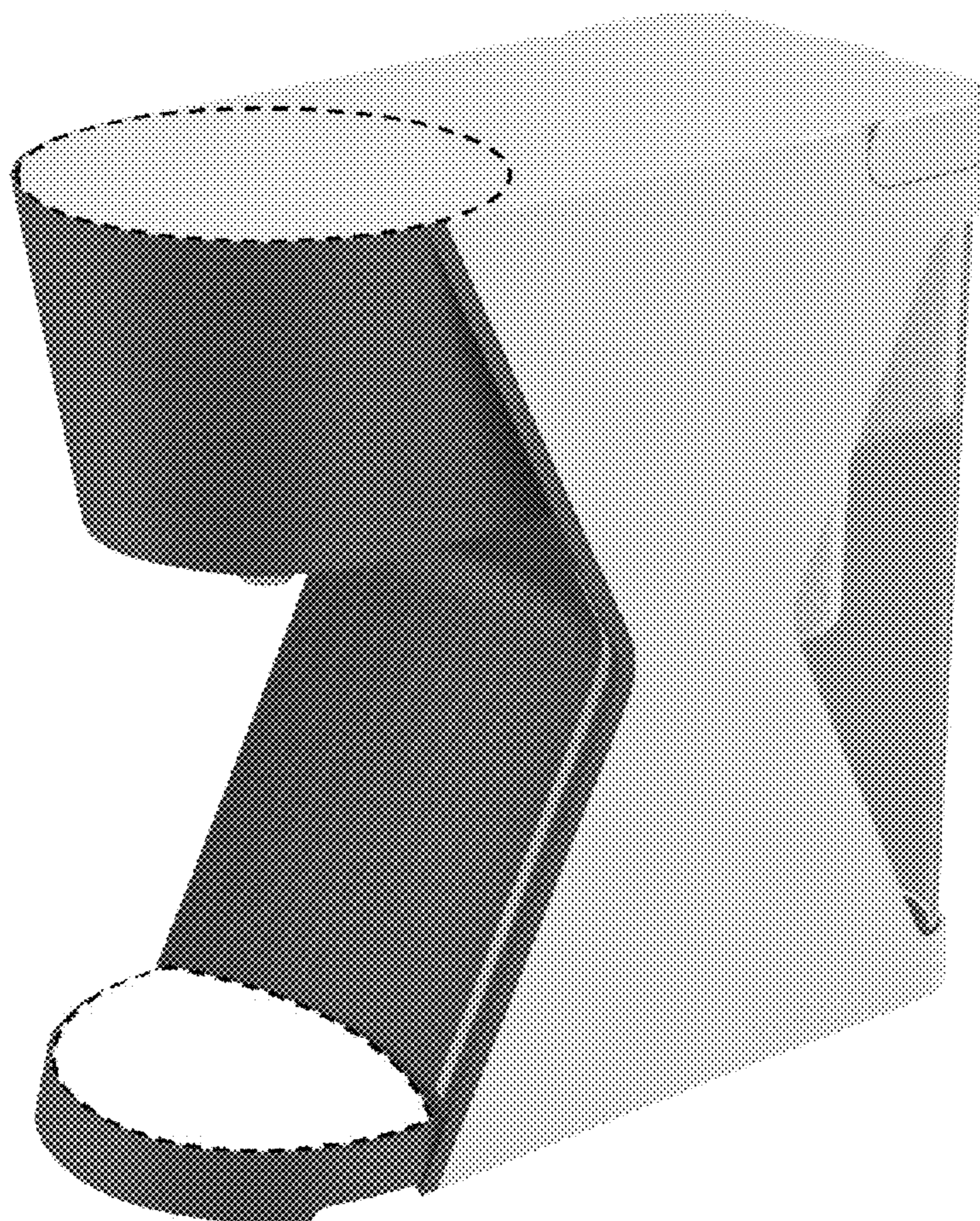


FIG. 9

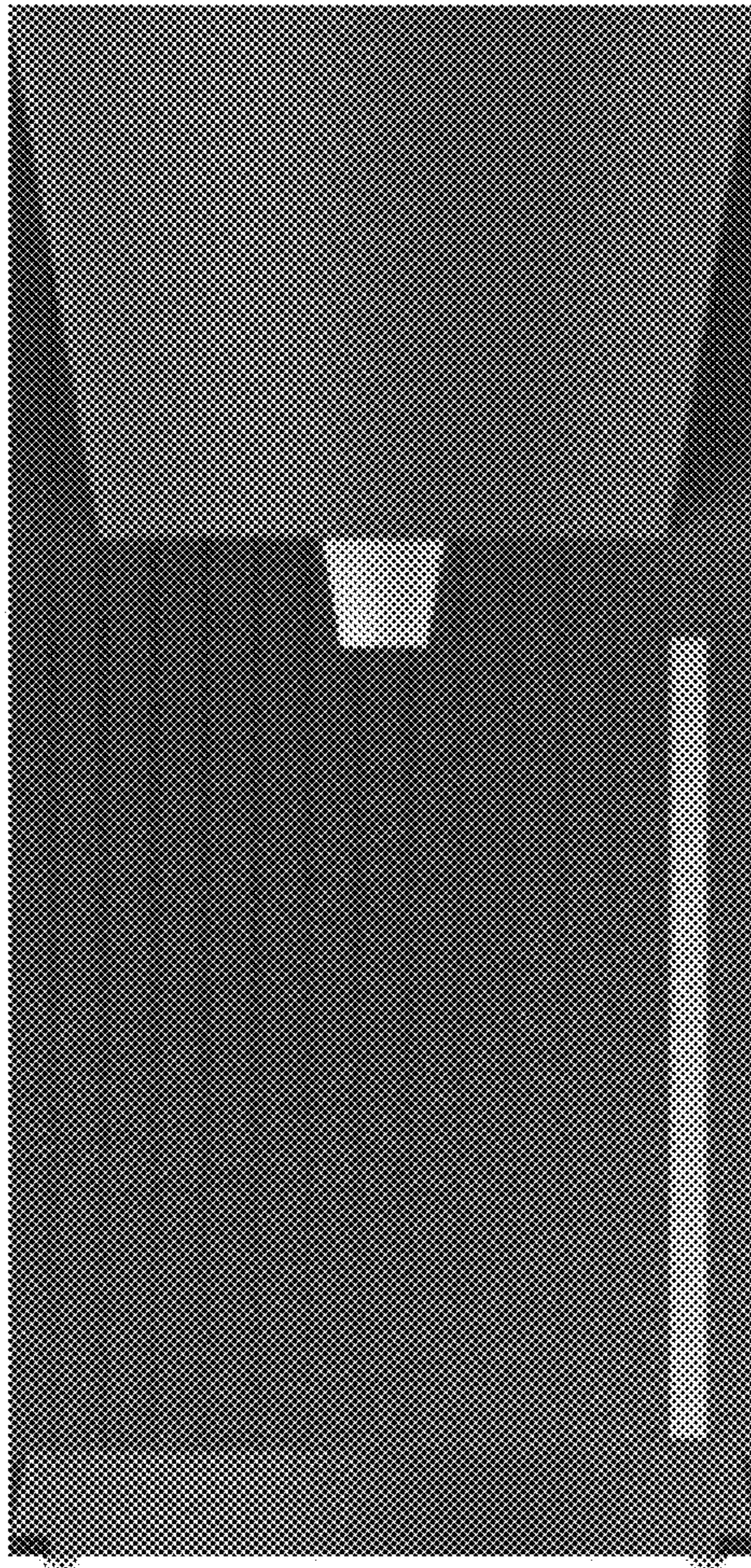


FIG. 10

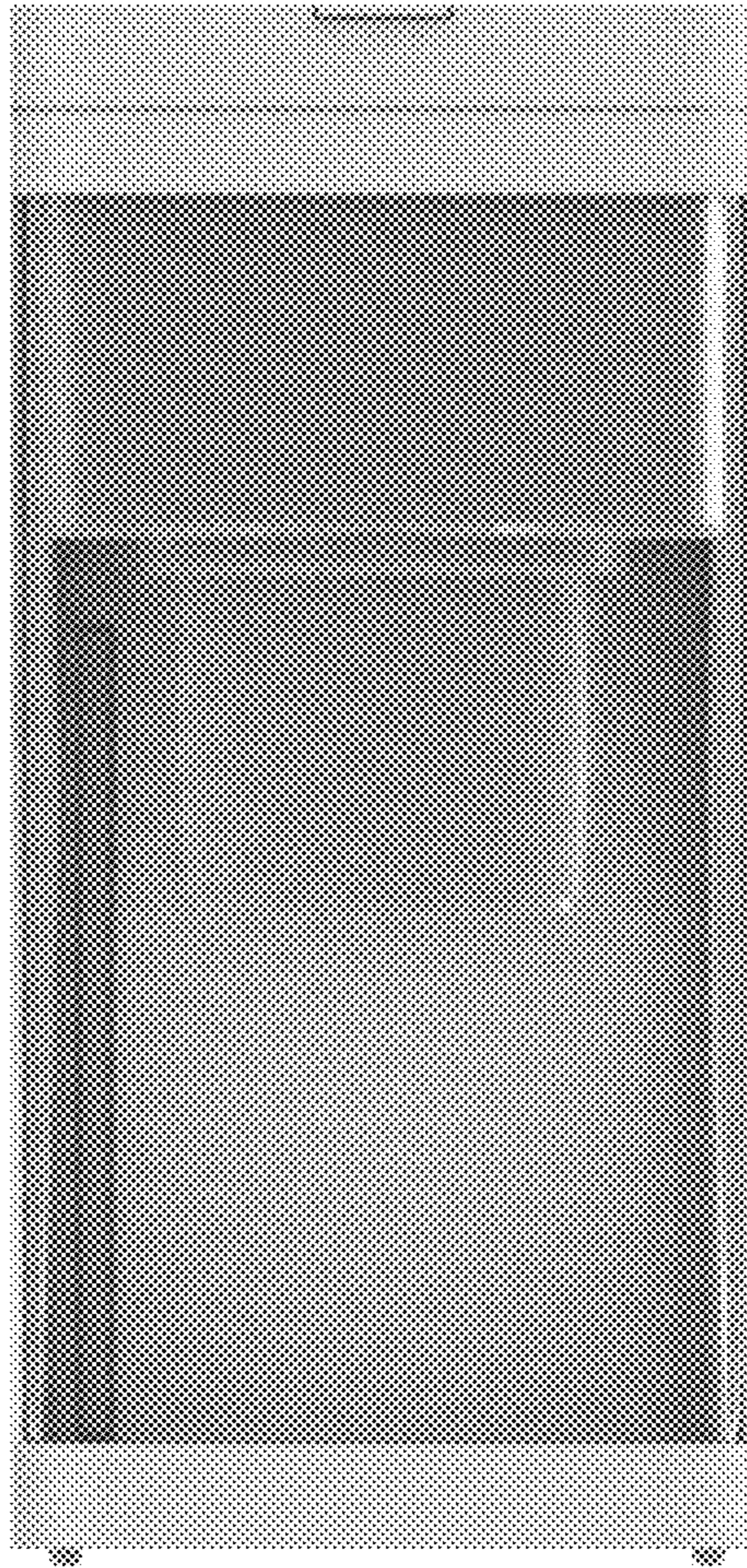


FIG. 11

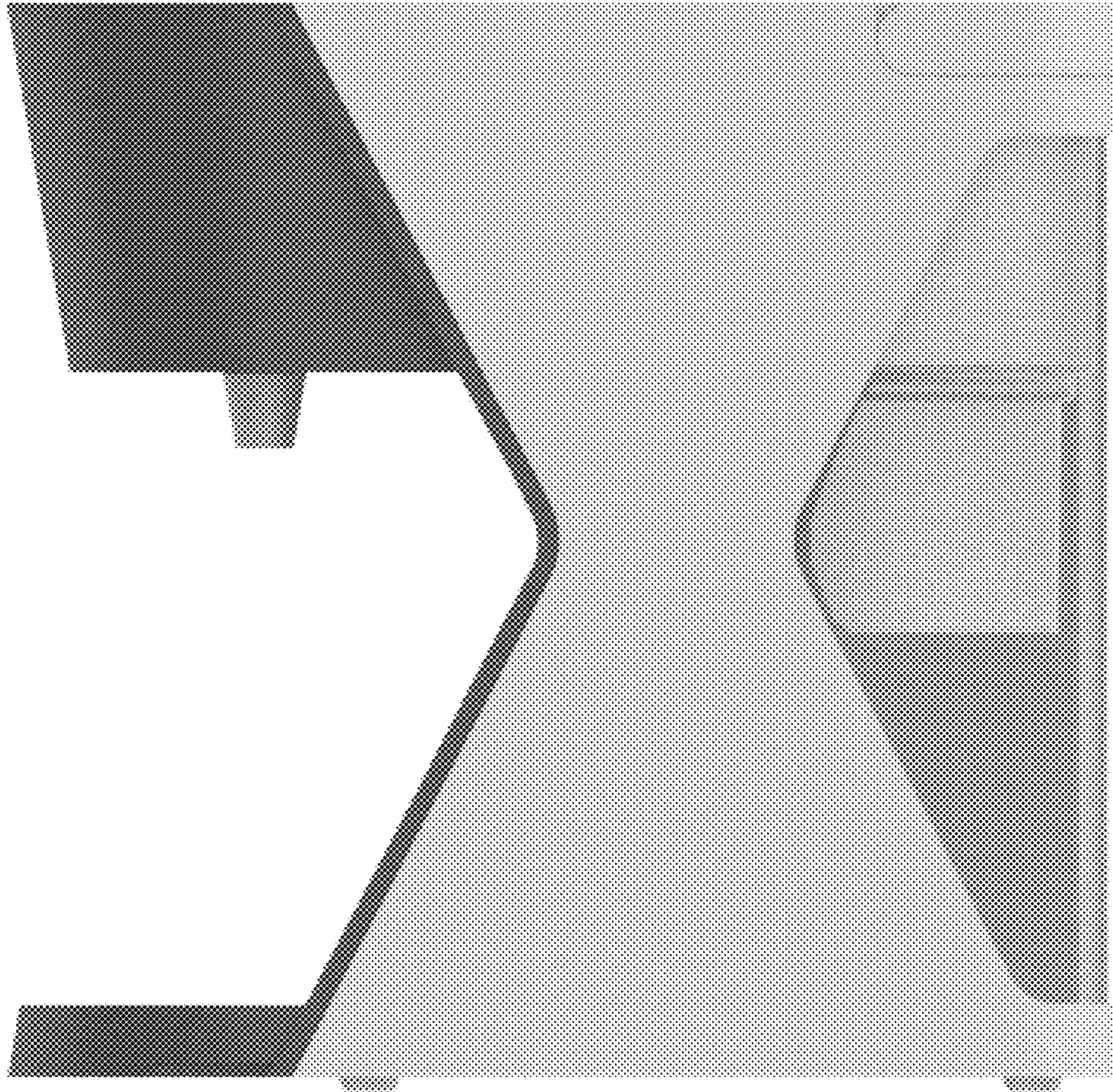


FIG. 12

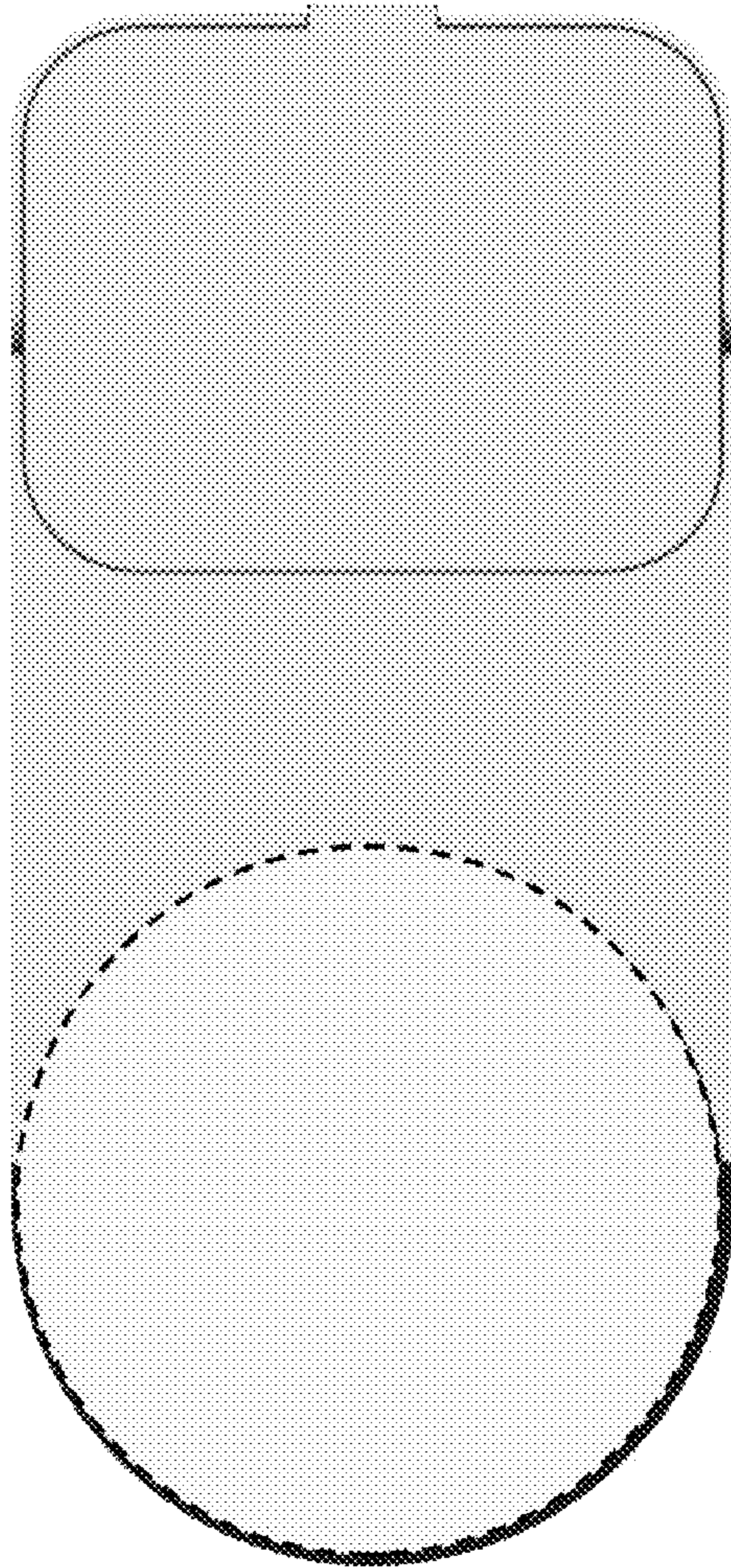


FIG. 13

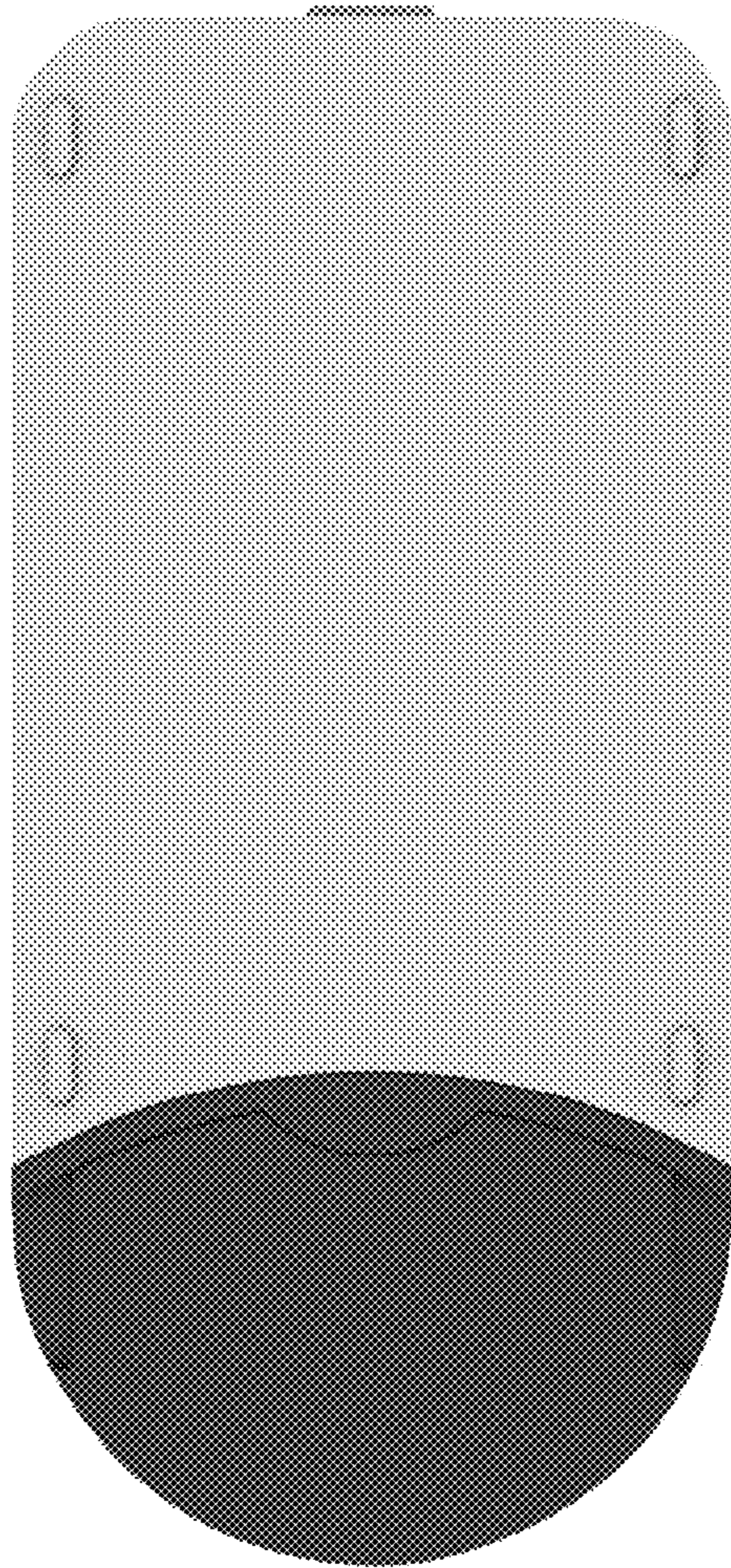


FIG. 14



FIG. 15

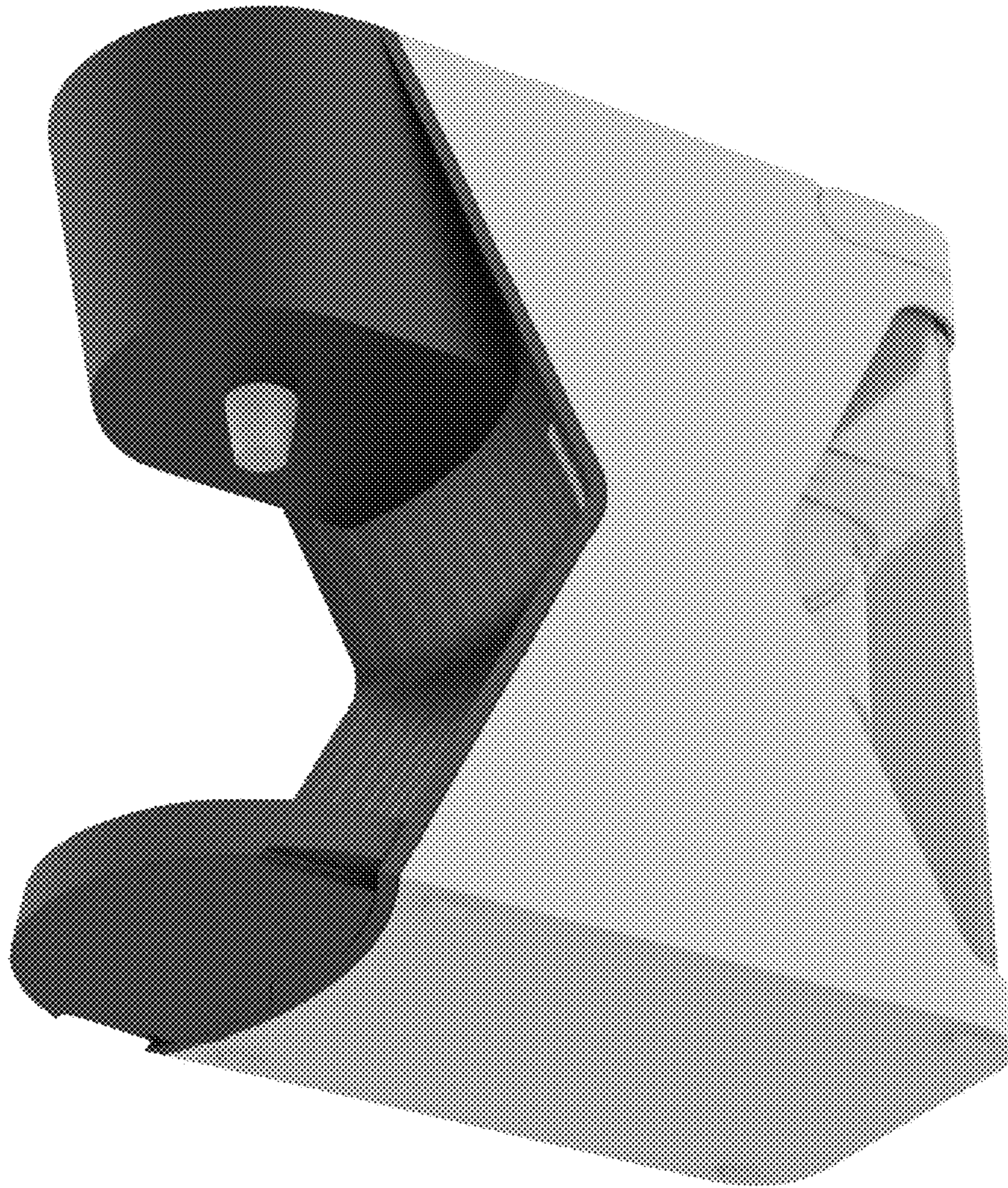


FIG. 16