



US00D961975S

(12) **United States Design Patent** (10) **Patent No.:** **US D961,975 S**
Morris et al. (45) **Date of Patent:** **** Aug. 30, 2022**

(54) **COMPACT WATER BOTTLE FILLING STATION**

D898,783 S * 10/2020 Silverstein D15/89
D899,839 S * 10/2020 Leeds D7/397
D932,225 S * 10/2021 Gates D7/306

(Continued)

(71) Applicant: **Acorn Engineering Company**, City Of Industry, CA (US)

(72) Inventors: **Donald E. Morris**, Newport Coast, CA (US); **Darryl M. Boeltl**, Whittier, CA (US)

(73) Assignee: **Acorn Engineering Company**, City of Industry, CA (US)

(**) Term: **15 Years**

(21) Appl. No.: **29/774,042**

(22) Filed: **Mar. 12, 2021**

(51) **LOC (13) Cl.** **07-01**

(52) **U.S. Cl.**
USPC **D7/306**

(58) **Field of Classification Search**

USPC D7/300, 304-311, 312, 313, 213, 387,
D7/397, 399, 400

CPC .. A47J 31/00; A47J 31/44; B67D 1/00; B67D
1/0003; B67D 1/0004; B67D 1/0005;
B67D 1/06; F25D 23/12; F25D 23/126;
Y10T 137/00; Y10T 137/0318; Y10T
137/0379

See application file for complete search history.

(56) **References Cited**

U.S. PATENT DOCUMENTS

6,129,291 A * 10/2000 Commeville E03B 9/20
239/18
D486,880 S * 2/2004 Gracias D23/207
D718,971 S * 12/2014 Young D7/307
D723,315 S * 3/2015 Wilder D23/209
D787,250 S * 5/2017 Walton D7/313
D873,606 S * 1/2020 Young B67D 1/16
D7/397
D898,500 S * 10/2020 Leeds D7/397

OTHER PUBLICATIONS

Elkay Bottle Filling Station| posted at Amazon.com, posted on Apr. 30, 2015 © 1996-2022 Amazon.com, [online], [site visited Jun. 17, 2022]. Available from Internet, <URL: https://www.amazon.com/Elkay-Mechanically-Activated-Non-Filtered-Refrigerated/dp/B00O97XILS/> (Year: 2015).*

Primary Examiner — Andrew Kerr

(74) *Attorney, Agent, or Firm* — Eric J. Sosenko;
Jonathan P. O'Brien; Honigman LLP

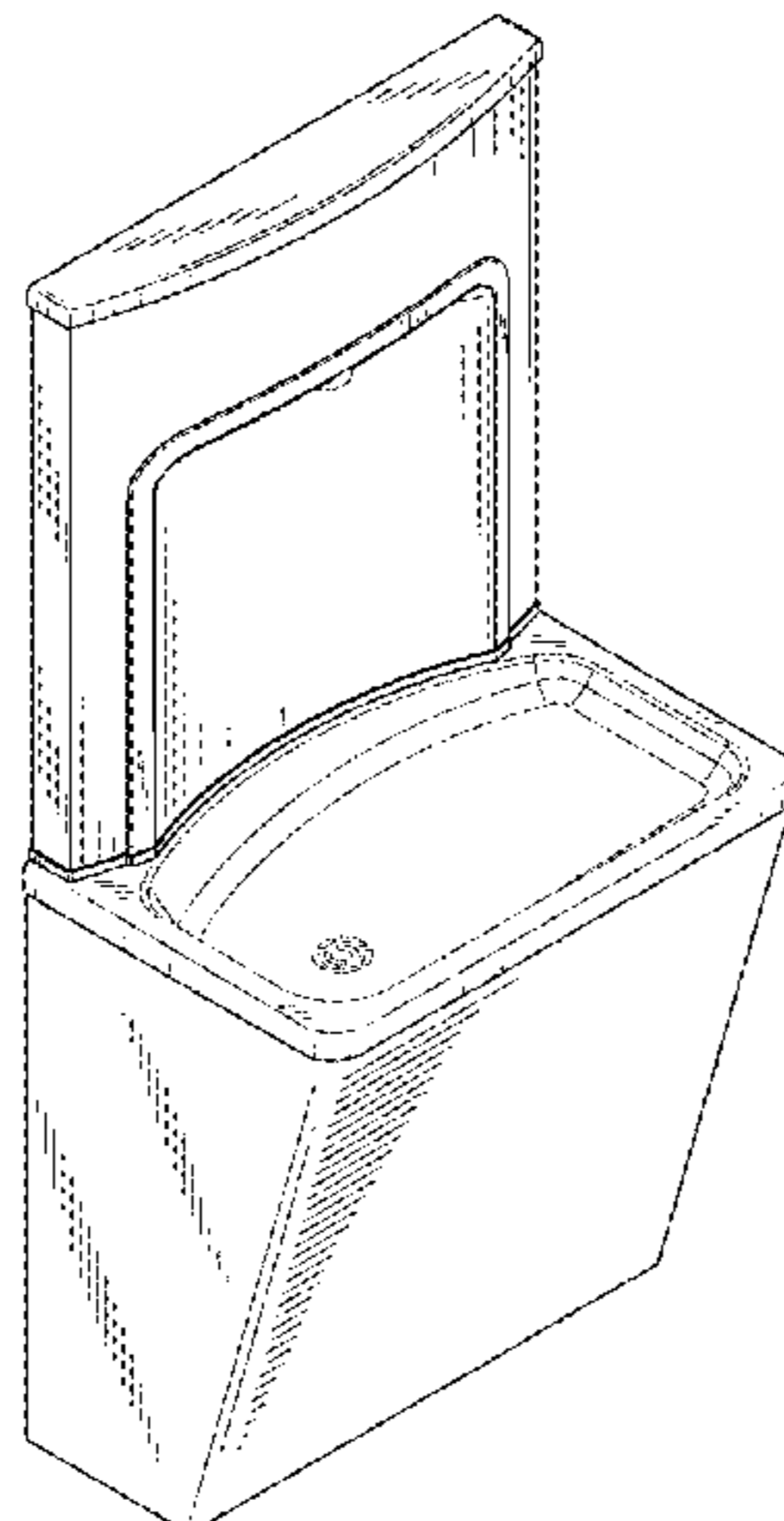
(57) **CLAIM**

The ornamental design for a compact water bottle filling station, as shown and described.

DESCRIPTION

FIG. 1 is a front left perspective view of a compact water bottle filling station according to our new design;
FIG. 2 is front right perspective view of the compact water bottle filling station seen in FIG. 1;
FIG. 3 is another front right perspective view of the compact water bottle filling station seen in FIG. 1;
FIG. 4 is a front elevational view of the compact water bottle filling station seen in FIG. 1;
FIG. 5 is a rear elevational view of the compact water bottle filling station seen in FIG. 1;
FIG. 6 is a left side view of the compact water bottle filling station seen in FIG. 1, the right side view being a mirror image thereof;
FIG. 7 is a top plan view of the compact water bottle filling station seen in FIG. 1; and,
FIG. 8 is a bottom plan view of the compact water bottle filling station seen in FIG. 1.

(Continued)



Broken lines in the figures illustrate portions of the compact water bottle filling station that form no part of the claimed design.

1 Claim, 7 Drawing Sheets

(56) **References Cited**

U.S. PATENT DOCUMENTS

2007/0075214	A1*	4/2007	Hong	E03C 1/324
					248/690
2013/0020401	A1*	1/2013	Vandergrift	E03C 1/324
					239/28
2014/0379148	A1*	12/2014	Sawyer	G07F 15/12
					705/14.69

* cited by examiner

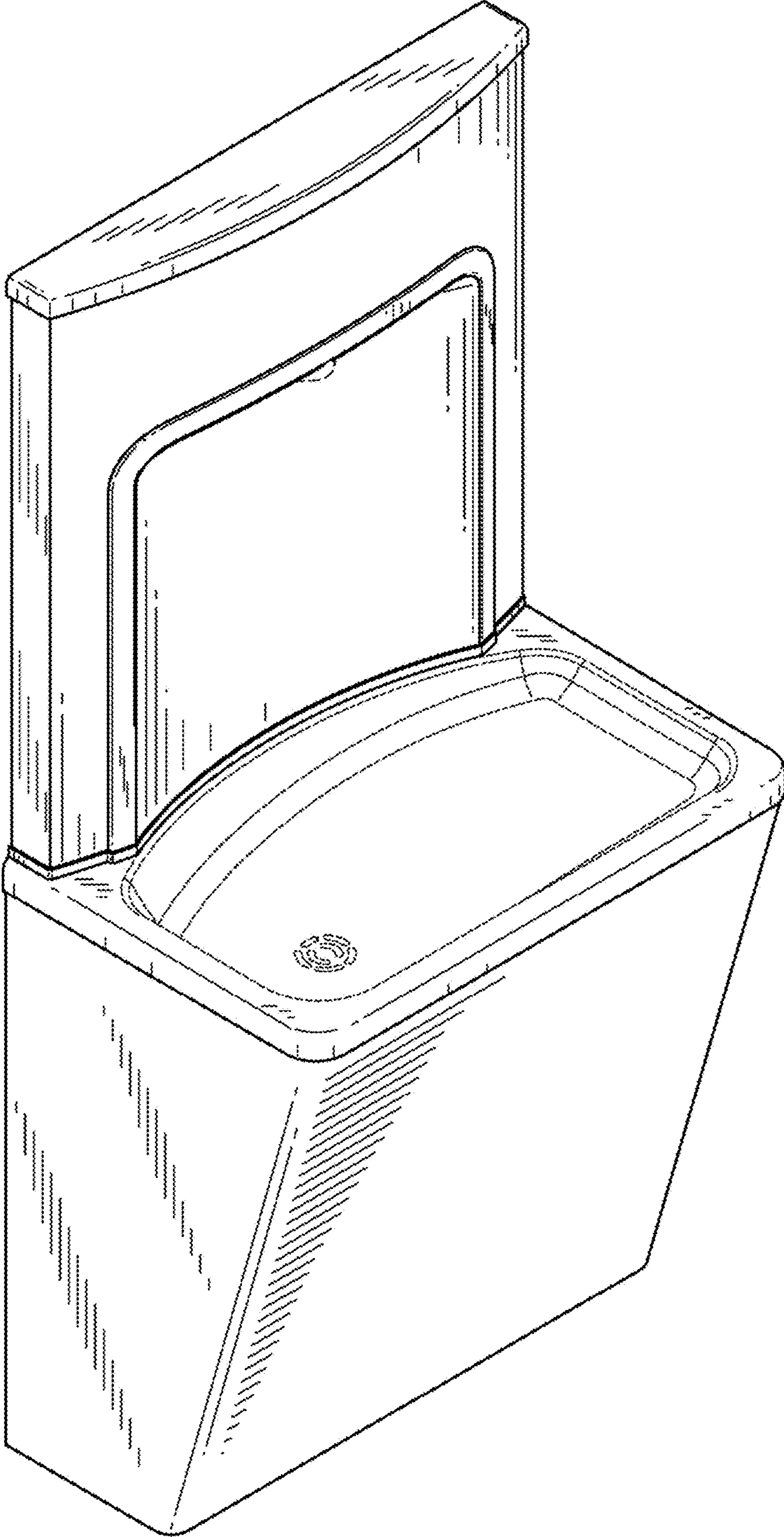


FIG. 1

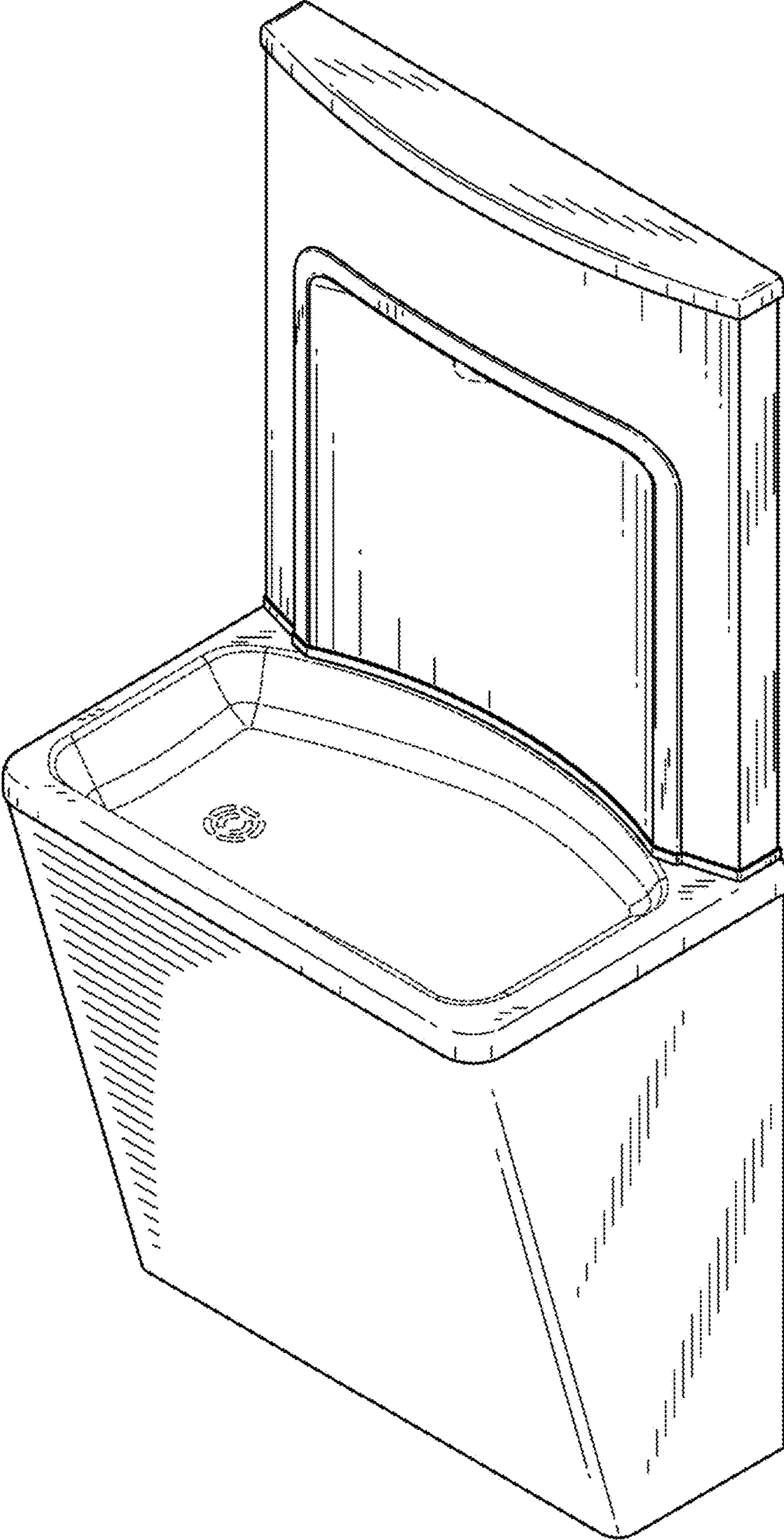


FIG. 2

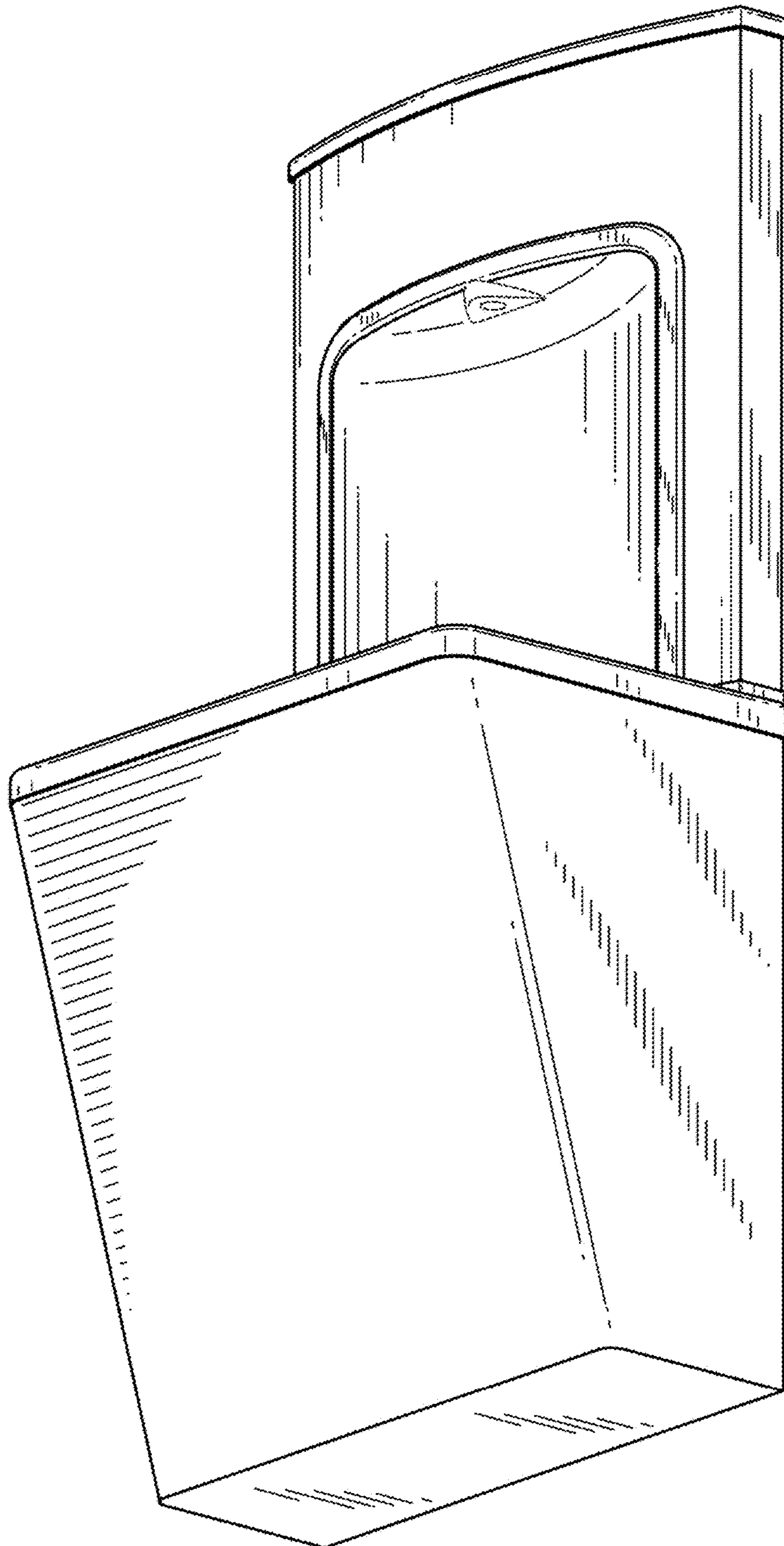


FIG. 3

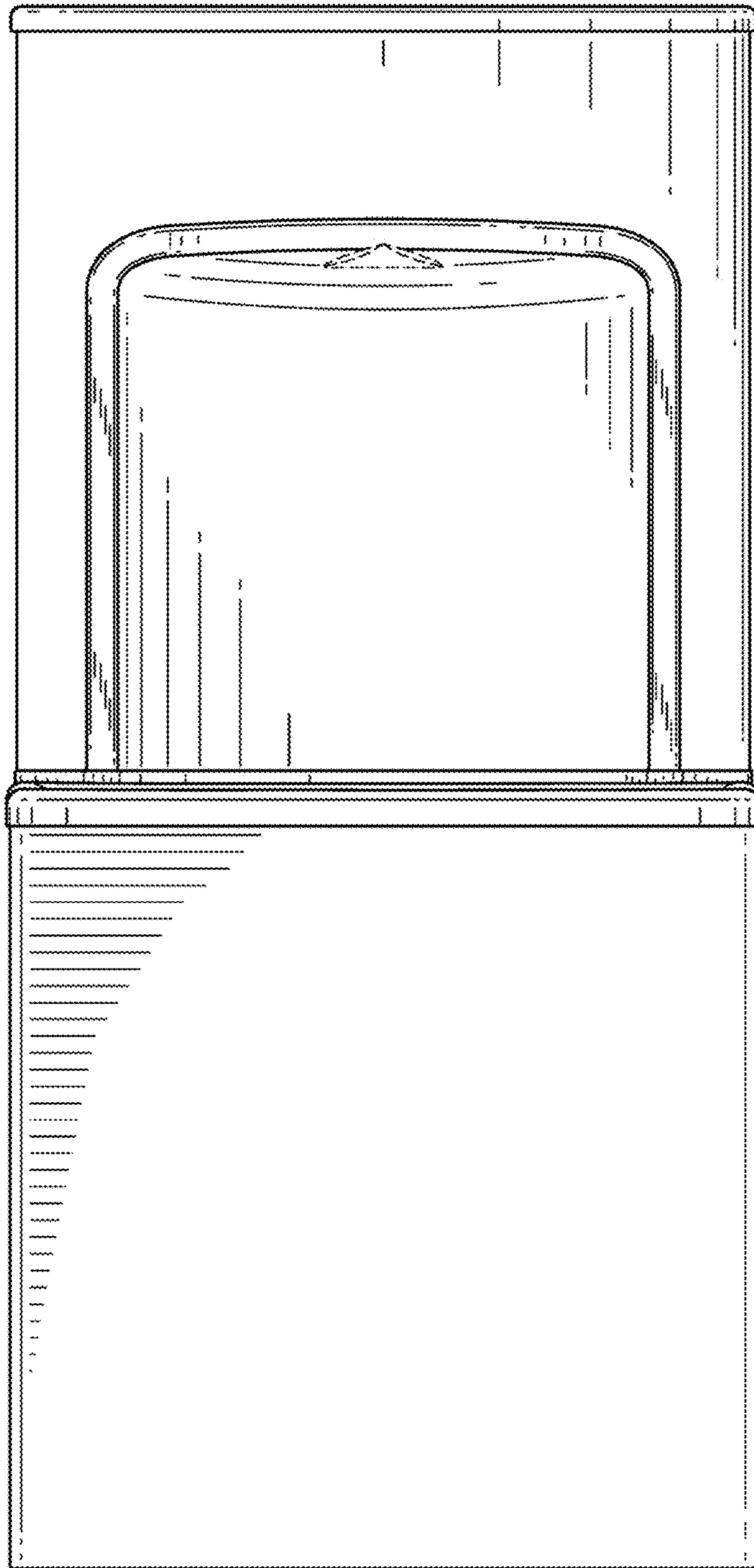


FIG. 4

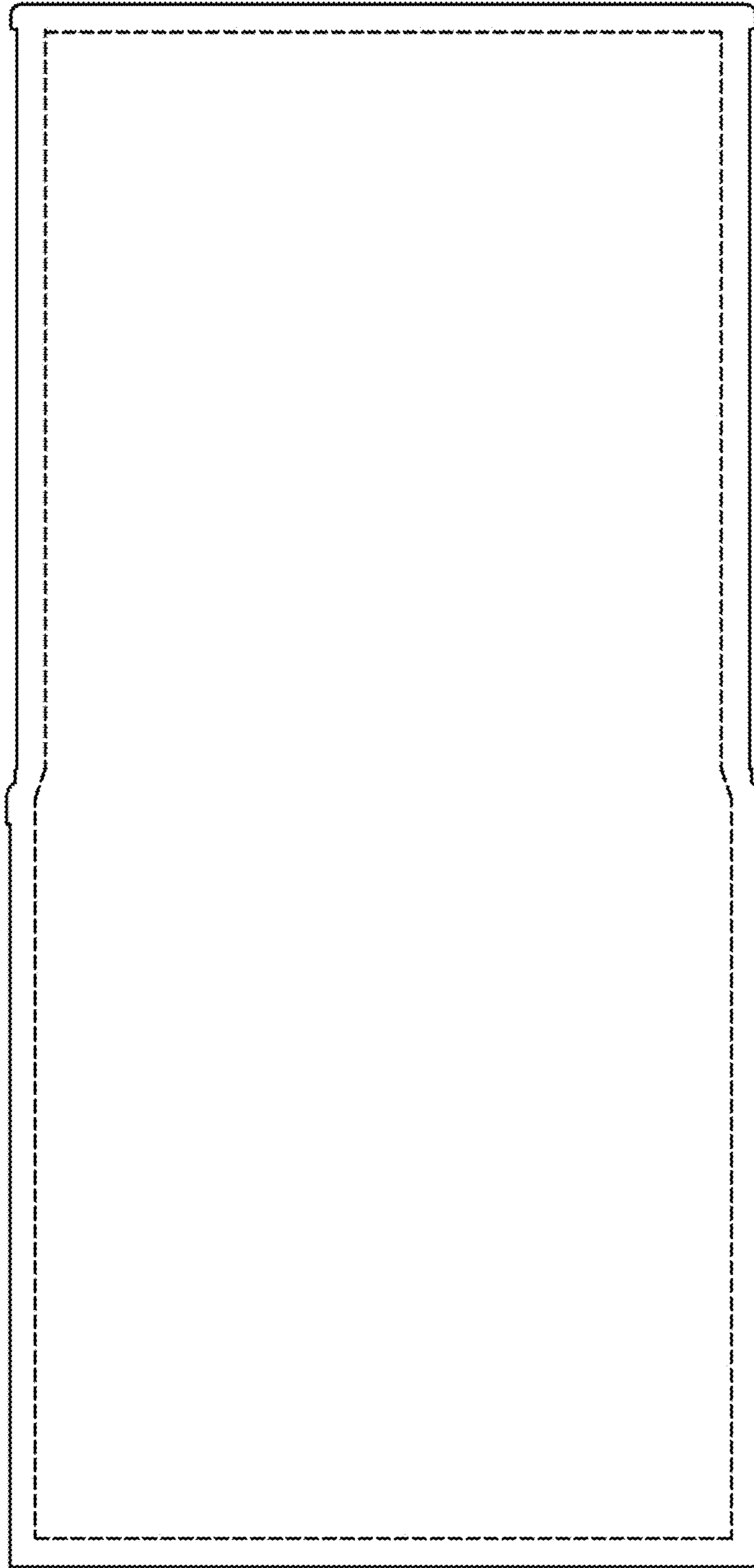


FIG. 5

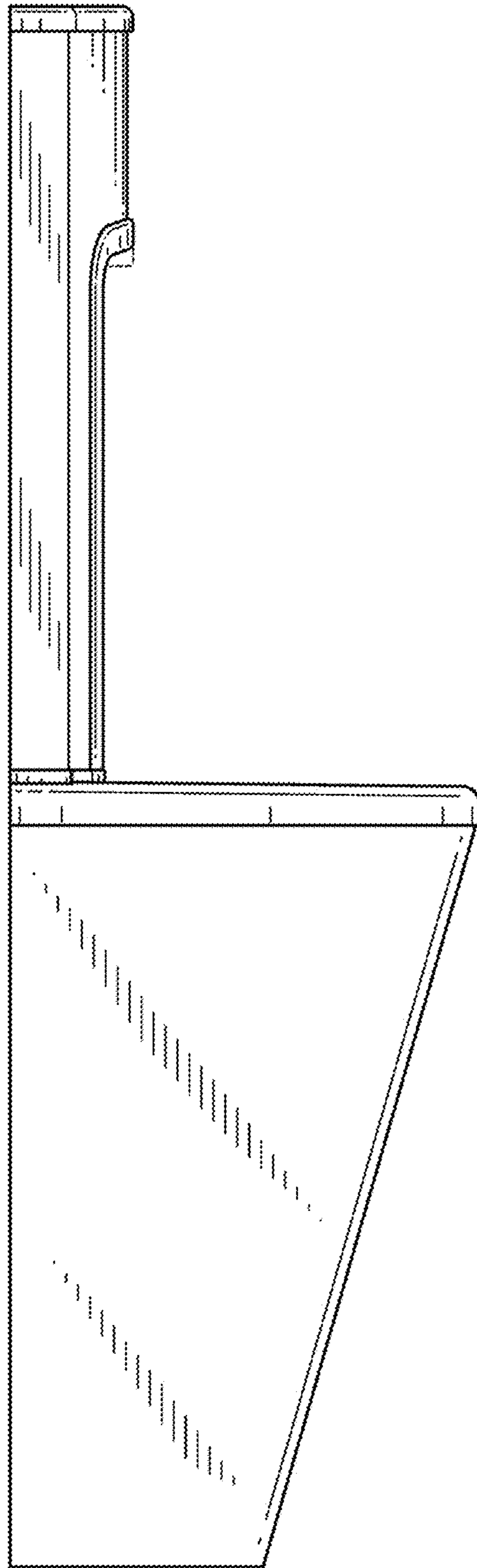


FIG. 6

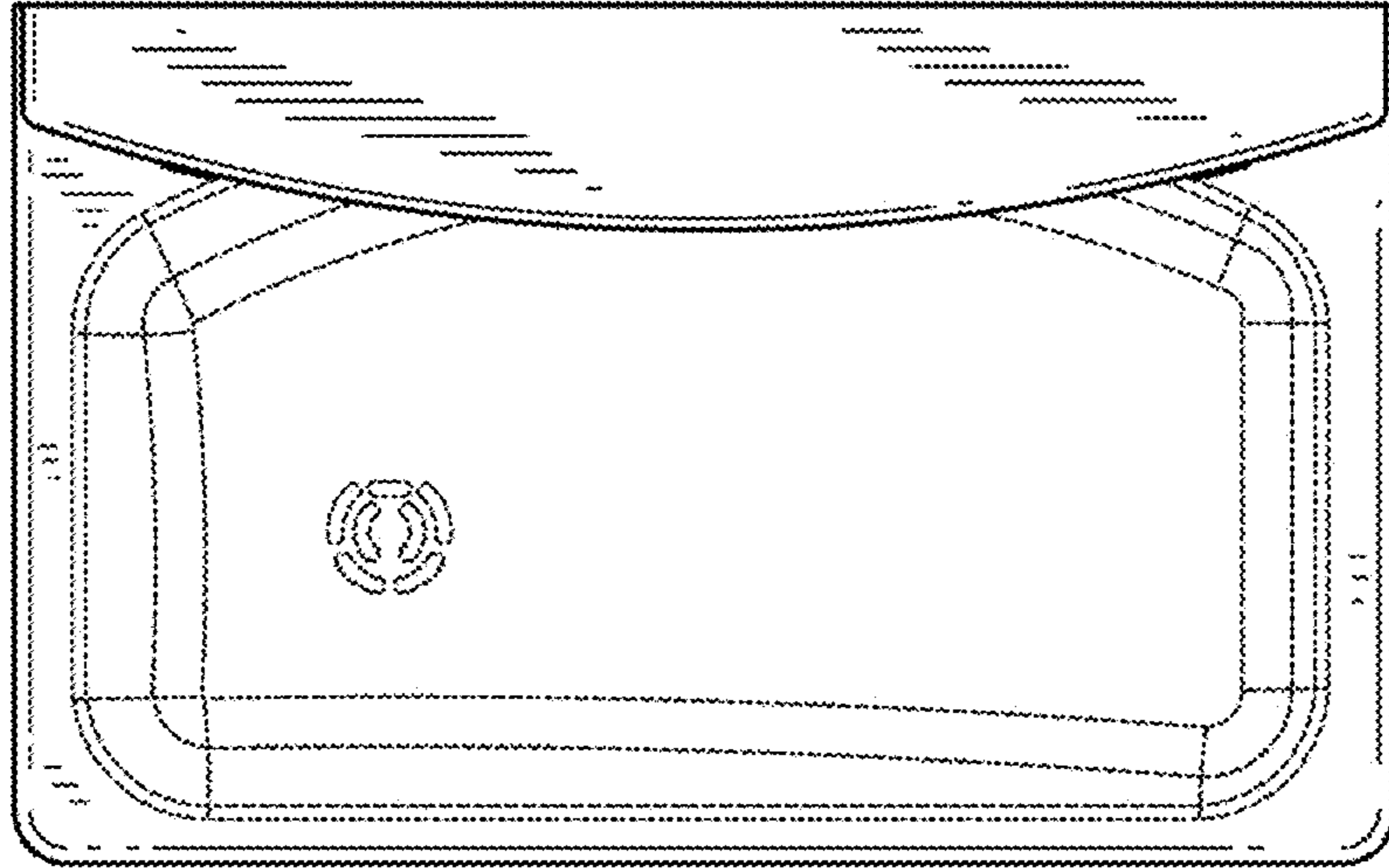


FIG. 7

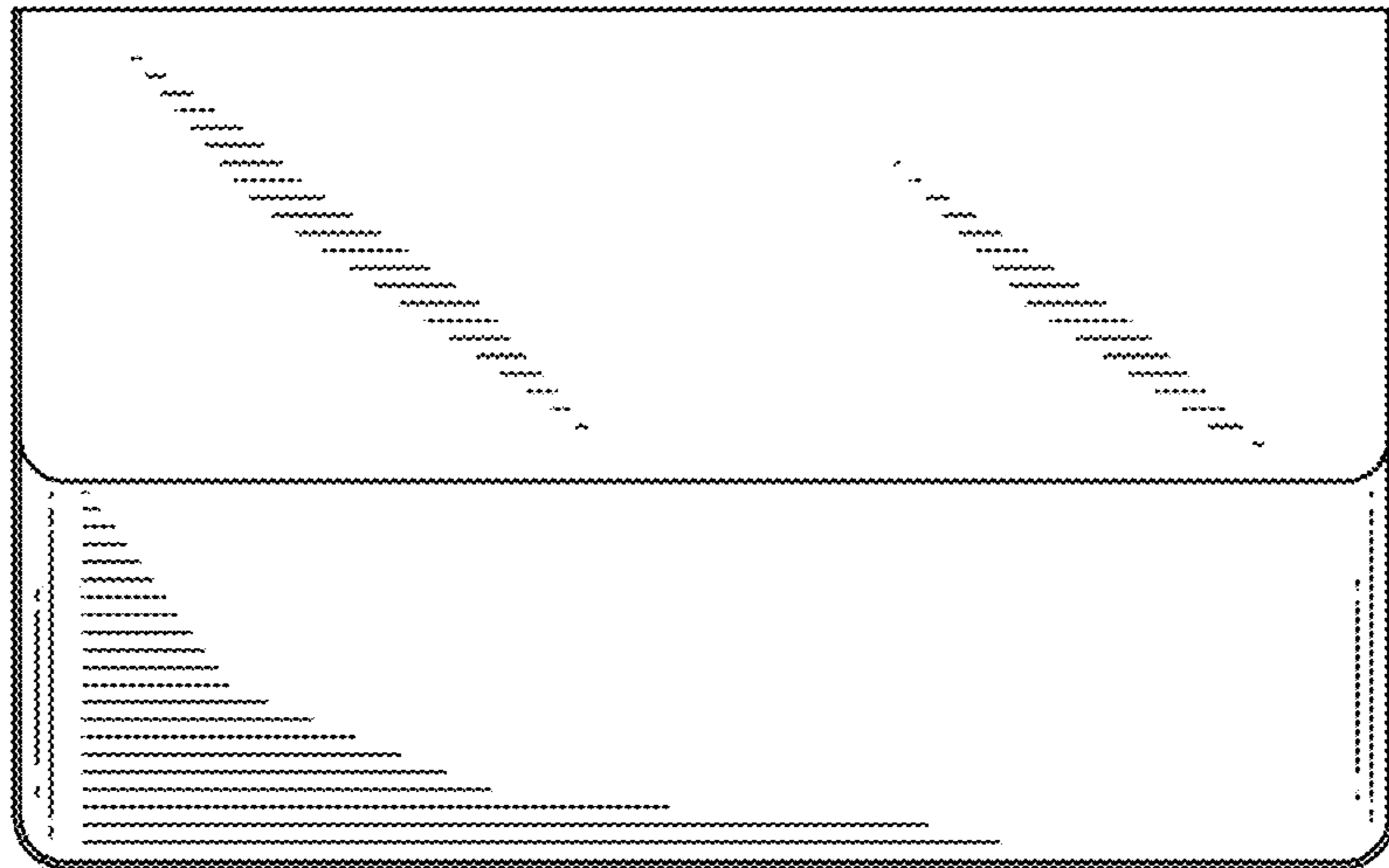


FIG. 8